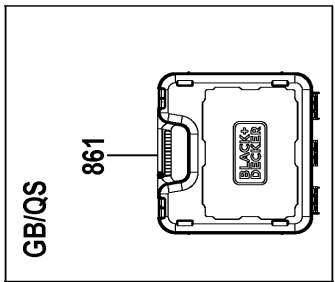
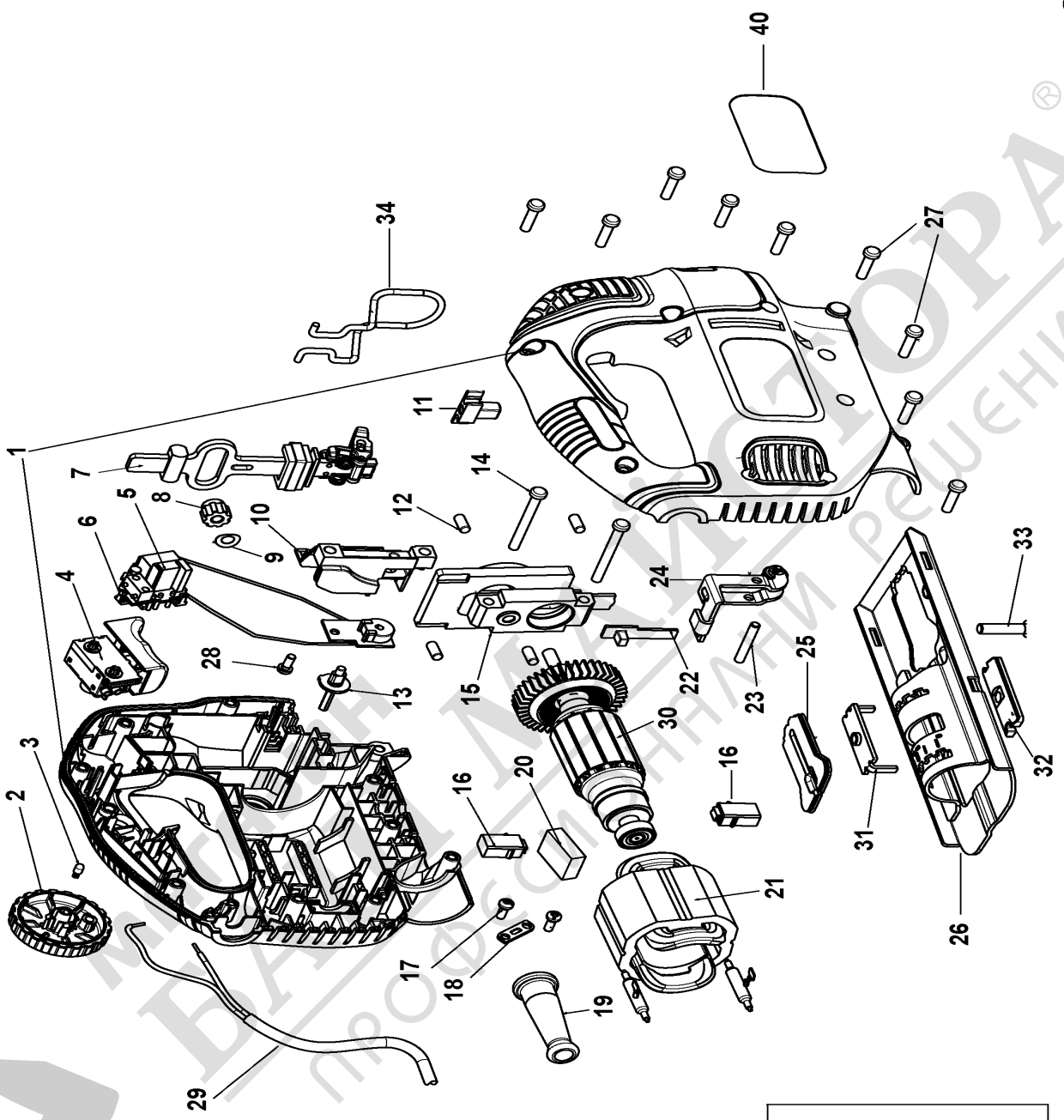


KS801SE

JIGSAW 1

©

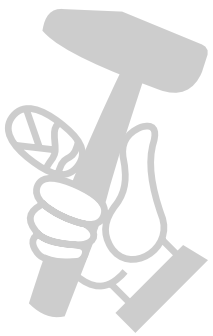


Parts List for KS801SE JIGSAW 1

Item	Part Number	Qty	Part Description	General Description	Other Info	Repair Inst	Markets
1	90610219	1	CLAMSHELL SA			No	
2	90610225	1	KNOB SA			No	
3	N403227	1	DETENT			No	
4	90603224-02	1	SWITCH SA			No	
5	90605341	1	PCB SA			No	
6	90610226	1	SUPPORT			No	
7	90517289	1	SHAFT SA			No	
8	795688-00	1	ROLLER			No	
9	823954	1	WASHER			No	
10	90514323	1	SUPPORT			No	
11	90609091	1	LENS			No	
12	90517281	4	PIN			No	
13	90514375	1	CAM			No	
14	330019-17	2	SCREW	M4.55 x 45 T20		No	
15	90532016	1	TRANSMISSION SA			No	
16	90549938	2	BRUSHBOX SA			No	
17	330019-01	2	SCREW.TEMP	M3 - Torx		No	
18	329301-00	1	CORD CLAMP			No	
19	90567404	1	CORD PROTECTOR			No	
20	90610227	1	CAPACITOR			No	
21	90610234	1	FIELD SA			No	
22	90514354	1	PLATE THRUST			No	
23	90514424	1	PIN			No	
24	90545786	1	ROLLER SA			No	
25	90609237	1	LOWER GUARD SA			No	
26	90609689	1	SHOE			No	
27	330019-13	9	SCREW	M4 x 19 - T20		No	
28	330019-31	1	SCREW			No	
29	90578997-03	1	CORDSET			No	GB
30	90610232	1	ARMATURE SA	& Bearing		No	
31	90608807	1	PLATE LOCK			No	
32	90610122	1	PLATE LOCK			No	
33	90610329	1	SCREW			No	

Parts List for KS801SE JIGSAW 1

Item	Part Number	Qty	Part Description	General Description	Other Info	Repair Inst	Markets
34	90605342	1	GUARD			No	
40	90609613	1	RATING LABEL			No	GB
861	90607906	1	KIT BOX		KS801SEK	No	GB



МАГАЗИН
 БАШ МАЙСТОРА®
 ПРОФЕСИОНАЛНИ РЕШЕНИЯ