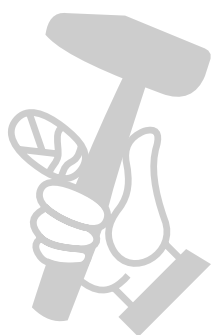


Einhell[®]

GE-CG 12 Li[®]

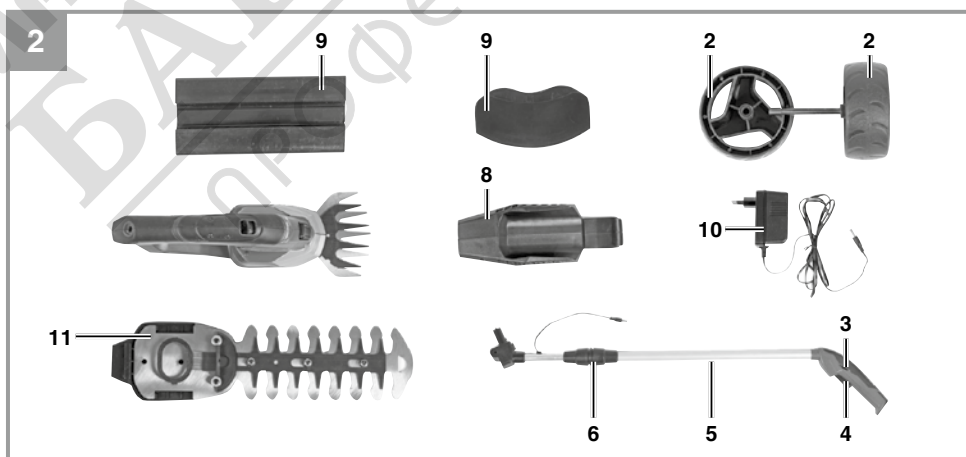
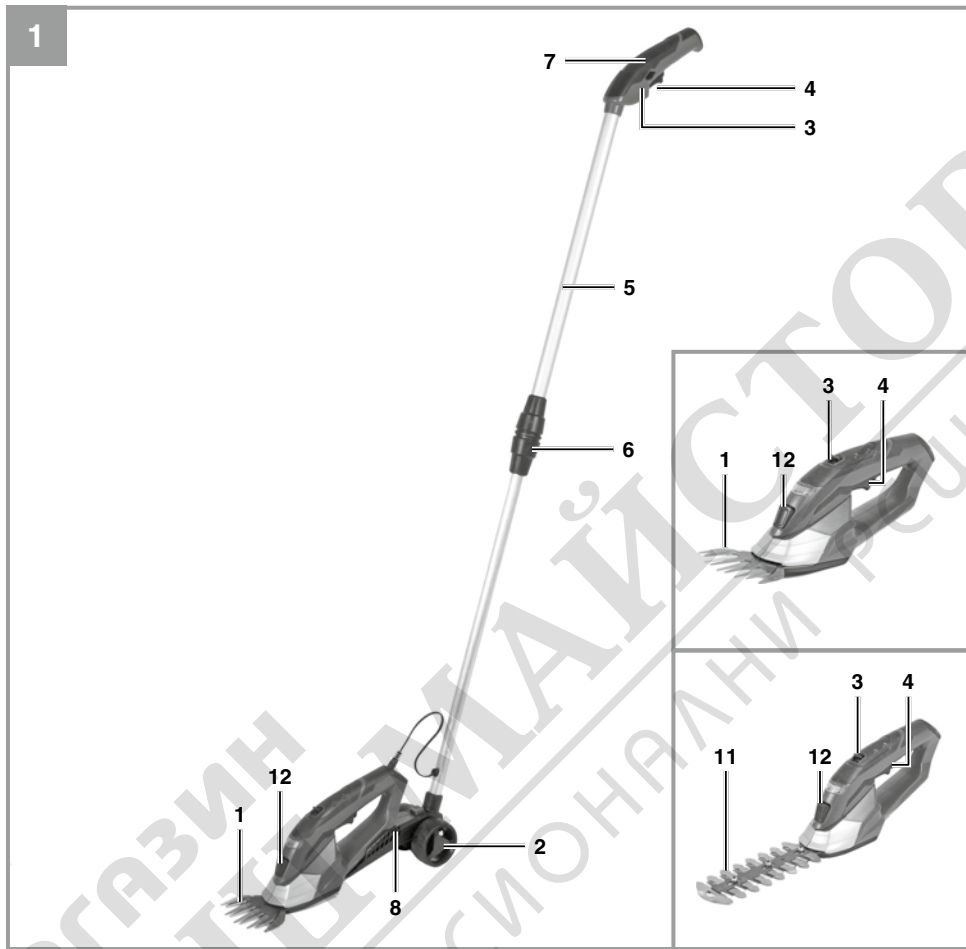
- D Originalbetriebsanleitung
Akku-Gras- und Strauchscherer
- GB Original operating instructions
Cordless grass and shrub shears
- F Instructions d'origine
Taille-herbes et taille-haies sans fil
- I Istruzioni per l'uso originali
Forbici a batteria per erba ed
arbusti
- NL Originele handleiding
Accugras- en struikschaar

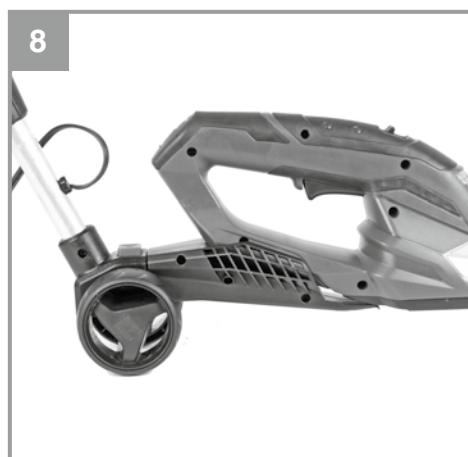
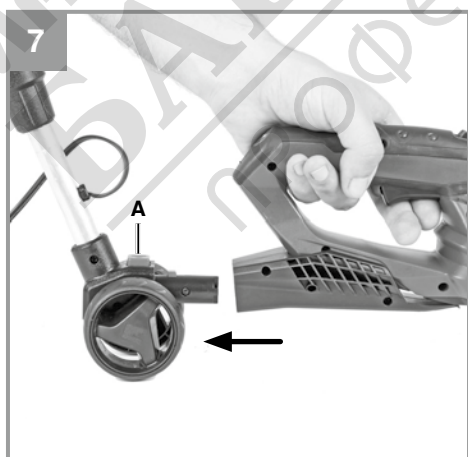
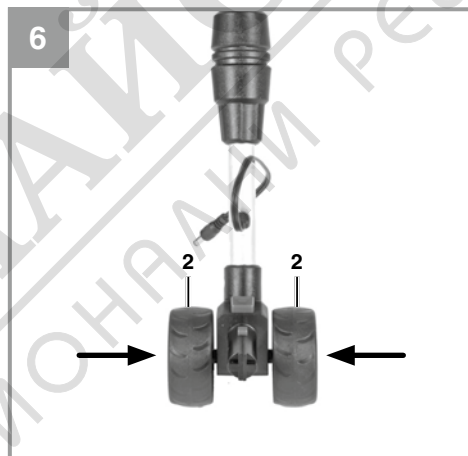
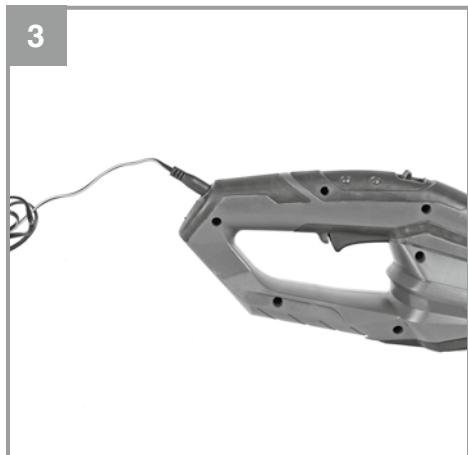
МАГАЗИН МАЙСТОРА
БАШ ПРОФЕСИОНАЛНИ РЕШЕНИЯ

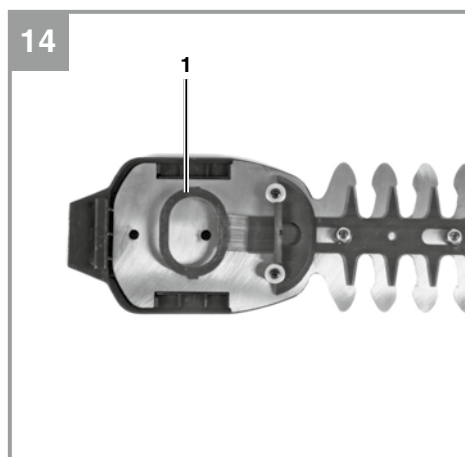
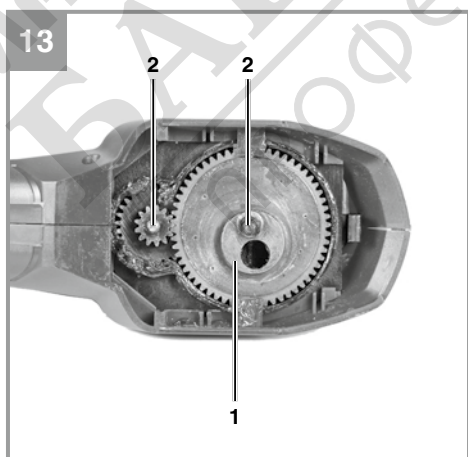
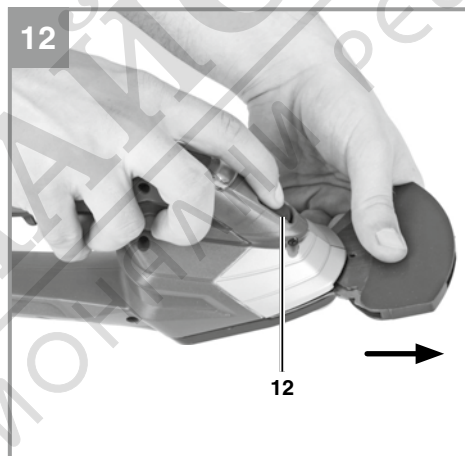
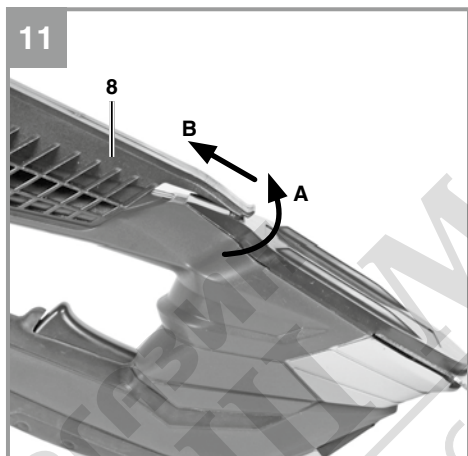
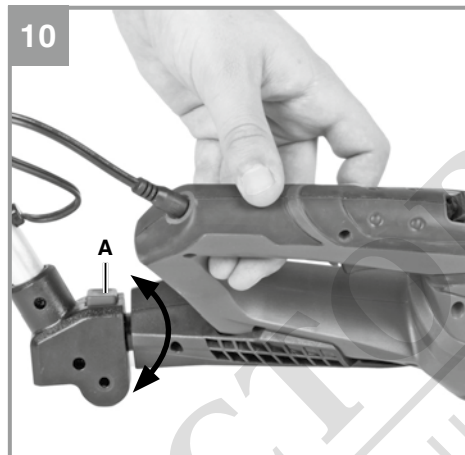
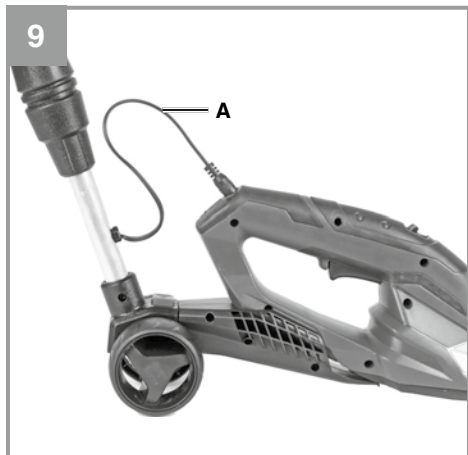


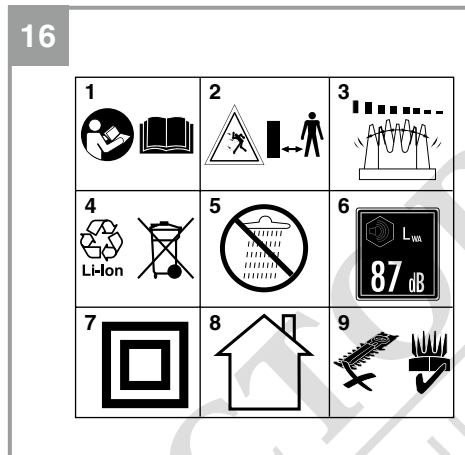
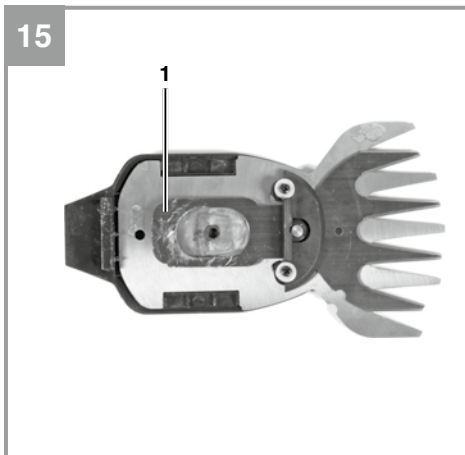
Art.-Nr.: 34.104.01

I.-Nr.: 11017









МАГАЗИН МАЙСТРА
БАШ МАЙСТРА
ПРОФЕСІОНАЛНИ РЕШЕННЯ

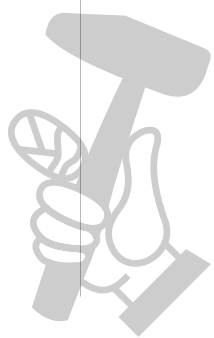
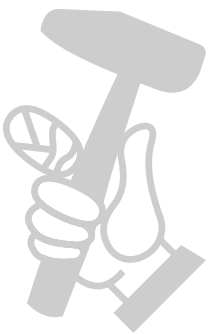


Table of contents

1. Safety regulations
2. Layout and items supplied
3. Proper use
4. Technical data
5. Before starting the equipment
6. Operation
7. Cleaning, maintenance and ordering of spare parts
8. Disposal and recycling



МАГАЗИН
БАШ МАЙСТОРА®
ПРОФЕСИОНАЛНИ РЕШЕНИЯ

Danger!

When using the equipment, a few safety precautions must be observed to avoid injuries and damage. Please read the complete operating instructions and safety regulations with due care. Keep this manual in a safe place, so that the information is available at all times. If you give the equipment to any other person, hand over these operating instructions and safety regulations as well. We cannot accept any liability for damage or accidents which arise due to a failure to follow these instructions and the safety instructions.

1. Safety regulations

The corresponding safety information can be found in the enclosed booklet.

Danger!**Read all safety regulations and instructions.**

Any errors made in following the safety regulations and instructions may result in an electric shock, fire and/or serious injury.

Keep all safety regulations and instructions in a safe place for future use.

This equipment is not intended to be used by children, persons with reduced physical, sensory or mental capacities or with a lack of experience and knowledge, or persons who are not familiar with the instructions.

Children should be supervised so that they do not play with the equipment. Children are not allowed to carry out cleaning or maintenance work.

Explanation of the symbols (see Fig. 16)

1. Danger! Read the operating instructions and follow the warnings and safety instructions
2. Keep all other persons away from the danger zone.
3. Caution! The cutter blades continue to run after the motor is switched off. Wait for the blades to come to a standstill. Risk of injury!
4. Dispose of batteries correctly!
5. Protect the tool from the damp and never expose it to rain.
6. Guaranteed sound power level
7. Safety class II
8. For use in dry rooms only
9. Extension only with grass cutter blade! It is prohibited to use the extension with the hedge cutter blade!

2. Layout and items supplied**2.1 Layout (Fig. 1/2)**

- 1 Grass cutter blade
- 2 Wheels
- 3 Safety lock-off
- 4 ON button
- 5 Telescopic long handle
- 6 Clamp coupling for telescopic long handle
- 7 Handle grip
- 8 Mount
- 9 Blade guard
- 10 Battery charger
- 11 Shrub cutter blade
- 12 Blade release mechanism

2.2 Items supplied

Please check that the article is complete as specified in the scope of delivery. If parts are missing, please contact our service center or the sales outlet where you made your purchase at the latest within 5 working days after purchasing the product and upon presentation of a valid bill of purchase. Also, refer to the warranty table in the service information at the end of the operating instructions.

- Open the packaging and take out the equipment with care.
- Remove the packaging material and any packaging and/or transportation braces (if available).
- Check to see if all items are supplied.
- Inspect the equipment and accessories for transport damage.
- If possible, please keep the packaging until the end of the guarantee period.

Danger!

The equipment and packaging material are not toys. Do not let children play with plastic bags, foils or small parts. There is a danger of swallowing or suffocating!

- Original operating instructions
- Safety instructions

3. Proper use

The equipment is designed for cutting the edges of lawns and small areas of grass in private and hobby gardens.

Tools for private and hobby gardens are not suitable for use in public facilities, parks and sport centers, along roadways, on farms or in the forestry sector. For the tool to be used properly it is imperative to follow the instructions set out in the manufacturer's directions for use.

Warning! It is prohibited to use the tool to chop material for composting because of the potential danger to persons and property.

The machine is to be used only for its prescribed purpose. Any other use is deemed to be a case of misuse. The user / operator and not the manufacturer will be liable for any damage or injuries of any kind caused as a result of this.

Please note that our equipment has not been designed for use in commercial, trade or industrial applications. Our warranty will be voided if the machine is used in commercial, trade or industrial businesses or for equivalent purposes.

4. Technical data

Speed n_0 :	1200 rpm
Cutting width of the grass cutter:	100 mm
Cutting width of the shrub shears	190 mm
Cutting thickness of the shrub shears	8 mm
Running time max.:	100 min
Battery pack:	Li-Ion / 12 V d. c. / 1.5 Ah
Charging time:	2 h
L_{pA} sound pressure level:	61 dB (A)
L_{WA} sound power level:	81 dB (A)
K uncertainty:	6 dB
Vibration max. $a_{h'}$:	5.5 m/s ²
K uncertainty:	1,5 m/s ²
Weight:	1.4 kg
Sound pressure level at the operator's ear	77 dB (A)
K uncertainty:	3 dB

Battery charger

Mains voltage.....100-240 V ~ 50-60 Hz

Output

Rated voltage..... 13 V DC

Rated current: 900 mA

- The vibration emission level has been measured in accordance with a set of standardized criteria and can be used to compare one power tool with another.
- The specified emission level can also be used to make an initial assessment of the exposure to vibrations.

Warning!

The vibration emission level may vary from the level specified during actual use, depending on the way in which the power tool is used.

Keep the noise emissions and vibrations to a minimum.

- Only use appliances which are in perfect working order.
- Service and clean the appliance regularly.
- Adapt your working style to suit the appliance.
- Do not overload the appliance.
- Have the appliance serviced whenever necessary.
- Switch the appliance off when it is not in use.
- Wear protective gloves.

Caution!

Residual risks

Even if you use this electric power tool in accordance with instructions, certain residual risks cannot be ruled out. The following hazards may arise in connection with the equipment's construction and layout:

1. Lung damage if no suitable protective dust mask is used.
2. Damage to hearing if no suitable ear protection is used.
3. Health damage caused by hand-arm vibrations if the equipment is used over a prolonged period or is not properly guided and maintained.

5. Before starting the equipment

5.1 Charging the battery pack (Figure 3, 4)

- Connect the charger to the charging station (Figure 3).
- Check that your mains voltage is the same as that marked on the rating plate of the battery charger. Plug the battery charger in a socket-outlet. The red LED (Figure 4 / Item 1) comes on to indicate that charging voltage is available.
- The battery pack is being charged. An empty battery pack requires a maximum charging period of 2 hours. The temperature of the battery pack may rise slightly during the charging operation. This is normal.
- As soon as battery pack is fully charged, the red LED (Fig. 4/Item 1) extinguishes

If the rechargeable battery fails to charge, check whether there is voltage at the socket outlet.

Timely recharging of the battery pack will help it serve you well for a long time. Recharging is always necessary when you notice a drop in the tool's performance.

Never allow the battery pack to become fully discharged. This will cause it to develop a defect.

5.2 Fitting the long handle

Using the telescopic long handle (Fig. 1/Item 5) you can push the cordless shears on wheels over the lawn.

The long handle is only for use with the grass cutter blade and must not be used with the hedge cutter blade!

To attach the long handle, push the fitting (Fig. 5/Item 8) onto the tool in the direction of the arrow until the catch clicks into position.

Now mount the wheels (Fig. 6/Item 2) on the axle and push inwards.

Unscrew the fitting (Fig. 1/Item 6), adjust the telescopic handle to the required length and then tighten the fitting again. Press the catch in and push the tool onto the telescopic handle as shown by the direction of the arrow in Fig. 7. After letting go of the catch, make sure that the fitting is correctly engaged (Fig. 1/Item 8). Then connect the power plug (Fig. 9/Item A) to the tool as shown in Fig. 9. Press the catch (Fig. 10/Item A) to rotate the tool to the left or right and to use

it as an edge trimmer. Make sure that it clicks into place!

To take apart, proceed in the reverse order. To remove the fitting (Fig. 11/Item 8), release it in the direction of the arrow (Fig. 11/Item A) and then push it in the direction of the arrow (Fig. 11/Item B).

Warning!

It is prohibited to remove or bridge any of the switching elements installed on the tool by the manufacturer (e.g. by securing a button to the handle) as this would prevent the tool from switching off automatically and result in high risk of injury. Under no circumstances are you to use the shrub cutter with the telescopic long handle fitted.

6. Operation

The area to be cut must first be cleared of stones and other solid objects. The safety lock-off (Fig. 1/Item 3) prevents the tool being started unintentionally. Activate the safety lock-off (Figure 1 / Item 3) by pushing it forward and pressing the ON/OFF switch (Figure 1 Item 4) at the same time. To switch off the tool, let go of the ON/OFF switch (Figure 1 / Item 4).

6.1 Cutting grass

Allow the grass cutter to glide above the ground. The best results are achieved when the lawn is dry.

When you notice a drop in cutting performance, re-charge the tool immediately so that the battery does not become fully discharged.

6.2 Trimming hedges

The tool can be used to trim small hedges and shrubs.

Hold the tool slightly tilted in relation to the hedge you want to cut.

First cut the sides from the bottom up, then cut the top.

Watch out for foreign objects in or on the hedge which could damage the blades.

When is the best time to trim hedges?

- As a general rule, hedges which lose their leaves in the autumn should be trimmed in June and October.
- Hedges which do not lose their leaves should be cut in April and August.

6.3 Changing the blades

Warning! Risk of injury!

To remove the blade, press the release mechanism (Fig. 1/Item 12) and take out the blade as shown in Fig. 12/Item 12.

Once you have removed the blade you will be able to see the toothed wheels of the gear unit (Fig. 13). Make sure that no dirt gets into the gear unit when you change the blade.

To assemble, proceed in the reverse order.

Caution! The blade will fall out when the release mechanism is pressed (Fig. 1/Item 12)!

When you fit the hedge cutter blade

check the position of the pin for the eccentric connector (Fig. 13/Item 1). Take the hedge cutter blade and slide the eccentric mount (Fig. 14/Item 1) into position so that the pin for the eccentric connector and the eccentric mount fit together precisely when assembled. Slot the hedge cutter blade onto the guide pins (Fig. 13/Item 2).

When you fit the grass cutter blade

check the position of the pin for the eccentric connector (Fig. 13/Item 1) again. Shift the eccentric mount (Fig. 15/Item 1) on the grass cutter blade to the left or the right to find the position at which the pin for the eccentric connector (Fig. 13/Item 1) and the eccentric mount (Fig. 15/Item 1) match up.

7. Cleaning, maintenance and ordering of spare parts

Danger!

7.1 Cleaning

- Keep all safety devices, air vents and the motor housing free of dirt and dust as far as possible. Wipe the equipment with a clean cloth or blow it with compressed air at low pressure.
- We recommend that you clean the device immediately each time you have finished using it.
- Clean the equipment regularly with a moist cloth. Do not use cleaning agents or solvents; these could attack the plastic parts of the equipment. Ensure that no water can seep into the device. The ingress of water into an electric tool increases the risk of an electric shock.
- A few drops of oil (e.g. sewing machine oil)

will improve the cutting performance of the blades, but never apply any grease to the blades.

- To ensure constant exact cutting it is also important to remove grass remnants and dirt from between the upper and lower blade.

Caution!

Never clean the tool under running water - and particularly never with high pressure - because of the potential danger to persons and property. Keep your cordless grass cutter and hedge trimmer in a dry and frost-proof place. Choose a place that children are unable to enter.

7.2 Maintenance

- To achieve good results you should keep the blades sharp at all times. In particular we recommend that you immediately level off any jags or ridges caused by stones or the like. The tool should be thoroughly cleaned both before and after use.
- There are no parts inside the equipment which require additional maintenance.

7.3 Ordering replacement parts:

Please quote the following data when ordering replacement parts:

- Type of machine
- Article number of the machine
- Identification number of the machine
- Replacement part number of the part required

For our latest prices and information please go to www.isc-gmbh.info

8. Disposal and recycling

The unit is supplied in packaging to prevent its being damaged in transit. This packaging is raw material and can therefore be reused or can be returned to the raw material system.

The unit and its accessories are made of various types of material, such as metal and plastic. Defective components must be disposed of as special waste. Ask your dealer or your local council.



For EU countries only

Never place any electric power tools in your household refuse.

To comply with European Directive 2012/19/EU concerning old electric and electronic equipment and its implementation in national laws, old electric power tools have to be separated from other waste and disposed of in an environment-friendly fashion, e.g. by taking to a recycling depot.

Recycling alternative to the return request:

As an alternative to returning the equipment to the manufacturer, the owner of the electrical equipment must make sure that the equipment is properly disposed of if he no longer wants to keep the equipment. The old equipment can be returned to a suitable collection point that will dispose of the equipment in accordance with the national recycling and waste disposal regulations. This does not apply to any accessories or aids without electrical components supplied with the old equipment.

This consignment contains lithium-ion batteries.

In accordance with special provision 188 this consignment is not subject to the ADR regulations. Handle with care. Danger of ignition in case of damage to the consignment package. If the consignment package is damaged: Check and if necessary repackage. For further information contact: 0049 1807 10 20 20 66 (fixed network 14 ct/min, mobile phone max. 42 ct/min) Outside Germany charges will apply instead for a regular call to a landline number in Germany.

The reprinting or reproduction by any other means, in whole or in part, of documentation and papers accompanying products is permitted only with the express consent of the iSC GmbH.

Subject to technical changes



Service information

We have competent service partners in all countries named on the guarantee certificate whose contact details can also be found on the guarantee certificate. These partners will help you with all service requests such as repairs, spare and wearing part orders or the purchase of consumables.

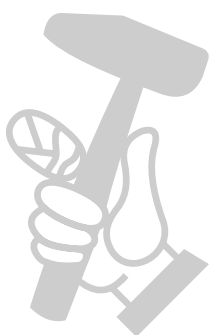
Please note that the following parts of this product are subject to normal or natural wear and that the following parts are therefore also required for use as consumables.

Category	Example
Wear parts*	Carbon brushes, Battery
Consumables*	Blade
Missing parts	

* Not necessarily included in the scope of delivery!

In the effect of defects or faults, please register the problem on the internet at www.isc-gmbh.info. Please ensure that you provide a precise description of the problem and answer the following questions in all cases:

- Did the equipment work at all or was it defective from the beginning?
- Did you notice anything (symptom or defect) prior to the failure?
- What malfunction does the equipment have in your opinion (main symptom)? Describe this malfunction.



Warranty certificate

Dear Customer,

All of our products undergo strict quality checks to ensure that they reach you in perfect condition. In the unlikely event that your device develops a fault, please contact our service department at the address shown on this guarantee card. You can also contact us by telephone using the service number shown. Please note the following terms under which guarantee claims can be made:

1. These guarantee terms apply to consumers only, i.e. natural persons intending to use this product neither for their commercial activities nor for any other self-employed activities. These warranty terms regulate additional warranty services, which the manufacturer mentioned below promises to buyers of its new products in addition to their statutory rights of guarantee. Your statutory guarantee claims are not affected by this guarantee. Our guarantee is free of charge to you.
2. The warranty services cover only defects due to material or manufacturing faults on a product which you have bought from the manufacturer mentioned below and are limited to either the rectification of said defects on the product or the replacement of the product, whichever we prefer. Please note that our devices are not designed for use in commercial, trade or professional applications. A guarantee contract will not be created if the device has been used by commercial, trade or industrial business or has been exposed to similar stresses during the guarantee period.
3. The following are not covered by our guarantee:
 - Damage to the device caused by a failure to follow the assembly instructions or due to incorrect installation, a failure to follow the operating instructions (for example connecting it to an incorrect mains voltage or current type) or a failure to follow the maintenance and safety instructions or by exposing the device to abnormal environmental conditions or by lack of care and maintenance.
 - Damage to the device caused by abuse or incorrect use (for example overloading the device or the use of unapproved tools or accessories), ingress of foreign bodies into the device (such as sand, stones or dust, transport damage), the use of force or damage caused by external forces (for example by dropping it).
 - Damage to the device or parts of the device caused by normal or natural wear or tear or by normal use of the device.
4. The guarantee is valid for a period of 24 months starting from the purchase date of the device. Guarantee claims should be submitted before the end of the guarantee period within two weeks of the defect being noticed. No guarantee claims will be accepted after the end of the guarantee period. The original guarantee period remains applicable to the device even if repairs are carried out or parts are replaced. In such cases, the work performed or parts fitted will not result in an extension of the guarantee period, and no new guarantee will become active for the work performed or parts fitted. This also applies if an on-site service is used.
5. To make a claim under the guarantee, please register the defective device at: www.isc-gmbh.info. Please keep your bill of purchase or other proof of purchase for the new device. Devices that are returned without proof of purchase or without a rating plate shall not be covered by the guarantee, because appropriate identification will not be possible. If the defect is covered by our guarantee, then the item in question will either be repaired immediately and returned to you or we will send you a new replacement.

Of course, we are also happy offer a chargeable repair service for any defects which are not covered by the scope of this guarantee or for units which are no longer covered. To take advantage of this service, please send the device to our service address.

Also refer to the restrictions of this warranty concerning wear parts, consumables and missing parts as set out in the service information in these operating instructions.