

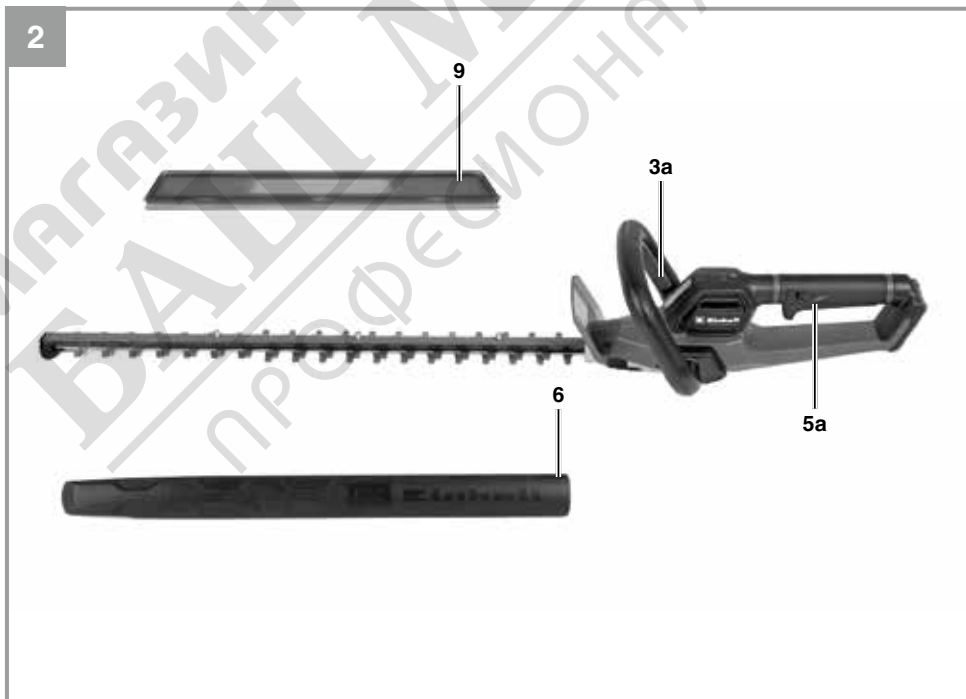
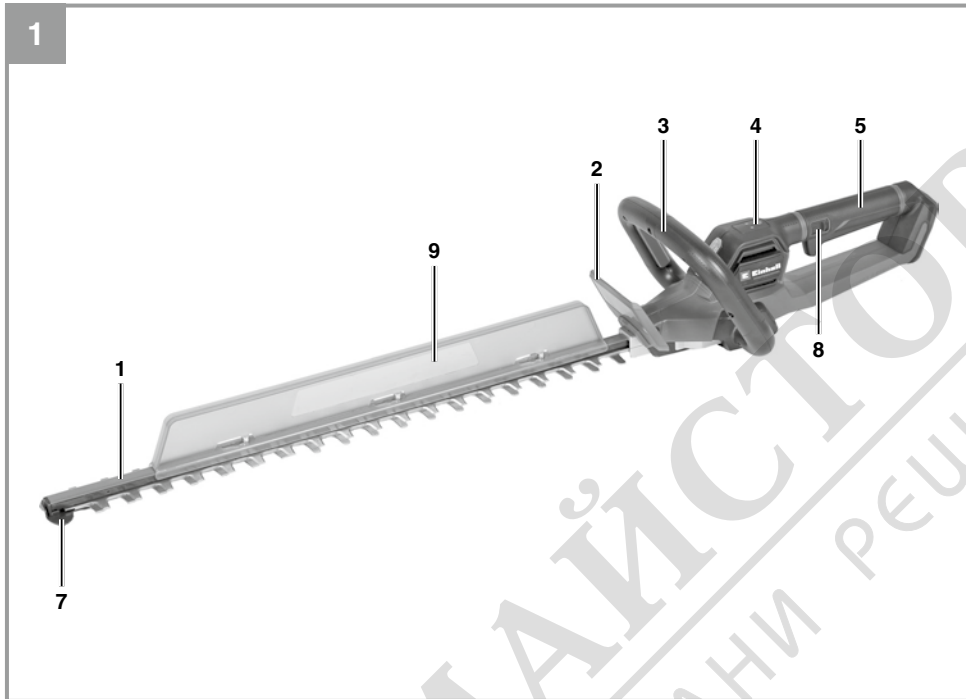
D	Originalbetriebsanleitung Akku-Heckenschere	FIN	Alkuperäiskäyttöohje Akkukäyttöiset pensassakset
GB	Original operating instructions Cordless hedge trimmer	SLO	Originalna navodila za uporabo Baterijske škarje za živo mejo
F	Instructions d'origine Taille-haies a accumulateur	H	Eredeti használati utasítás Akku-kerti olló
I	Istruzioni per l'uso originali Cesoie per siepi a batteria	RO	Instrucțiuni de utilizare originale Foarfece pentru gard viu cu acumulator
DK/ N	Original betjeningsvejledning Akku-hækkeklipper	GR	Πρωτότυπες Οδηγίες χρήσης Θαμνοκοπτης μπαταρίας
S	Original-bruksanvisning Batteridrivnen häcksax	P	Manual de instruções original Corta-sebes sem fio
CZ	Originální návod k obsluze Akumulátorové plotové nůžky	HR/ BIH	Originalne upute za uporabu Akumulatorske škare za živicu
SK	Originálny návod na obsluhu Akumulátorové záhradnícke nožnice	RS	Originalna uputstva za upotrebu Akumulatorske makaze za živicu
NL	Originele handleiding Accuheggenchaar	PL	Instrukcją oryginalną Akumulatorowe nożyce
E	Manual de instrucciones original Tijeras recortasetos de pilas recargables	TR	Orijinal Kullanma Talimatı Şarjlı çit makası
		EE	Originaalkasutusjuhend Akuhekilõikur

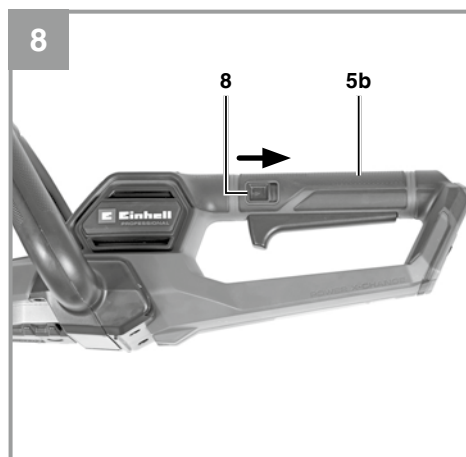
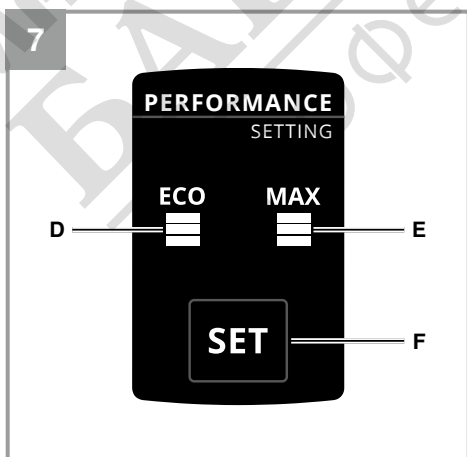
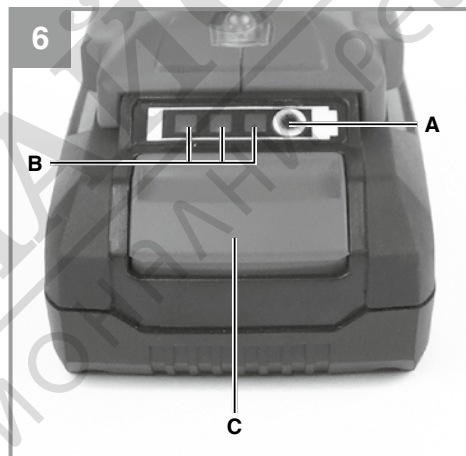
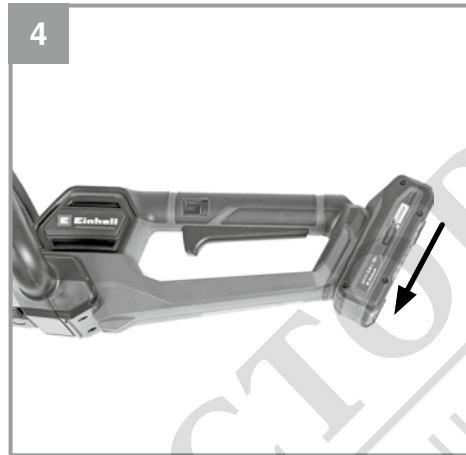
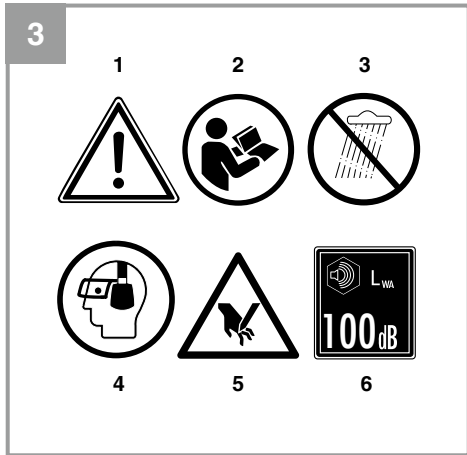
13

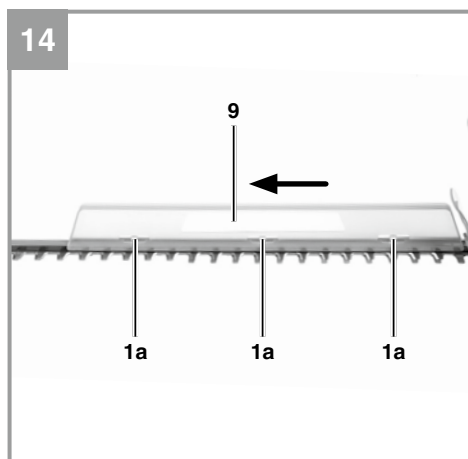
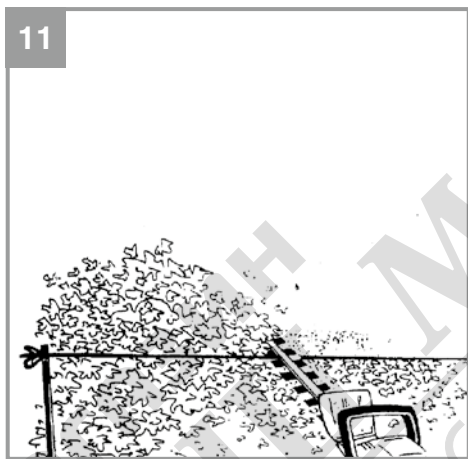
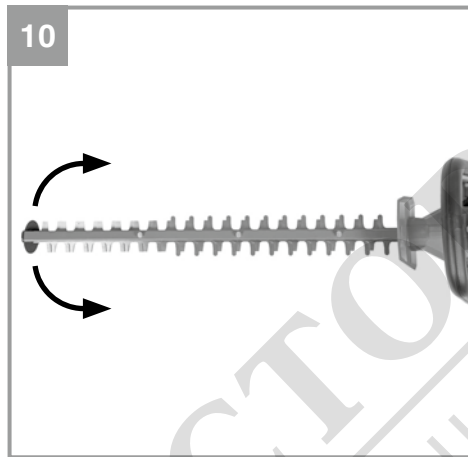
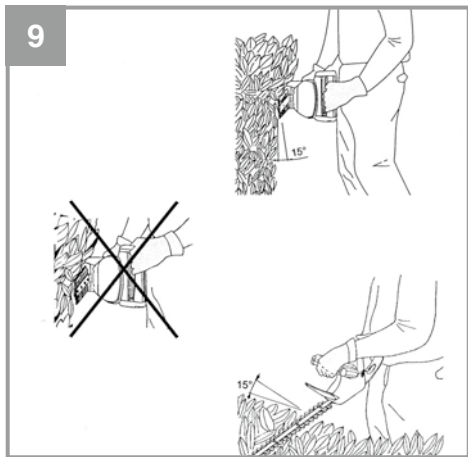


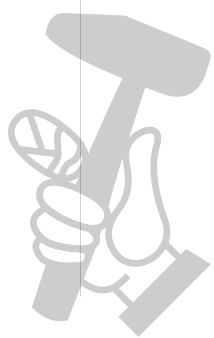
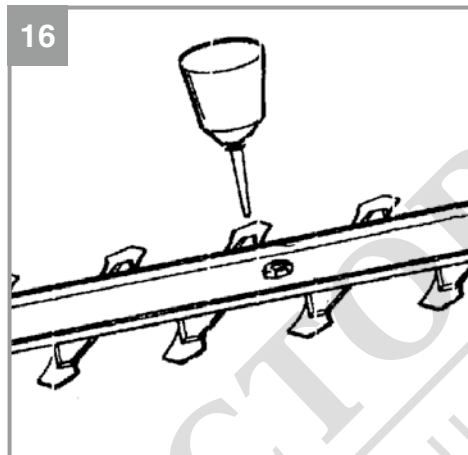
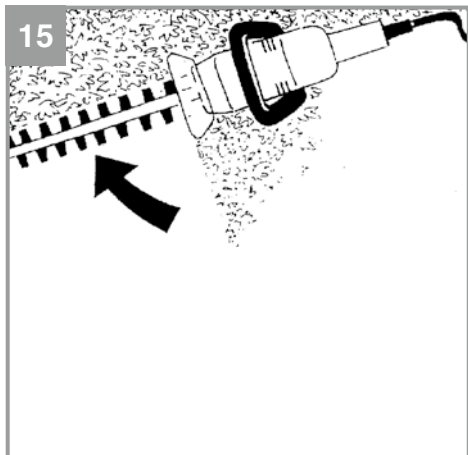
Art.-Nr.: 34.109.35

I.-Nr.: 21013









Danger!

When using the equipment, a few safety precautions must be observed to avoid injuries and damage. Please read the complete operating instructions and safety regulations with due care. Keep this manual in a safe place, so that the information is available at all times. If you give the equipment to any other person, hand over these operating instructions and safety regulations as well. We cannot accept any liability for damage or accidents which arise due to a failure to follow these instructions and the safety instructions.

Explanation of the symbols used (see Fig. 3)

1. Warning
2. Read the instruction manual before starting.
3. Protect against moisture.
4. Wear eye protection and ear plugs.
5. **Danger!** Moving blade. Keep hands and feet away from the blade.
6. Guaranteed sound power level

1. Safety regulations

The corresponding safety information can be found in the enclosed booklet.

Read all the safety information, instructions, illustrations and technical data provided on or with this power tool. Failure to adhere to the following instructions may result in electric shock, fire and/or serious injury.

Keep all the safety information and instructions in a safe place for future use.

2. Layout and items supplied**2.1 Layout (Fig. 1/2)**

1. Cutter rail
2. Hand guard
3. Steady grip with button switch
4. Speed controller
5. Handle with button switch
6. Cutter guard
7. Impact guard
8. Lock for handle
9. Cuttings collector

2.2 Items supplied

Please check that the article is complete as specified in the scope of delivery. If parts are missing, please contact our service center or the sales outlet where you made your purchase at the latest within 5 working days after purchasing the product and upon presentation of a valid bill of purchase. Also, refer to the warranty table in the service information at the end of the operating instructions.

- Open the packaging and take out the equipment with care.
- Remove the packaging material and any packaging and/or transportation braces (if available).
- Check to see if all items are supplied.
- Inspect the equipment and accessories for transport damage.
- If possible, please keep the packaging until the end of the guarantee period.

Danger!

The equipment and packaging material are not toys. Do not let children play with plastic bags, foils or small parts. There is a danger of swallowing or suffocating!

- Hedge trimmer
- Cutter guard
- Cuttings collector
- Original operating instructions
- Safety instructions

3. Proper use

This hedge trimmer is suitable for cutting hedges, bushes and shrubs.

The equipment is to be used only for its prescribed purpose. Any other use is deemed to be a case of misuse. The user / operator and not the manufacturer will be liable for any damage or injuries of any kind caused as a result of this.

4. Technical data

Rated voltage.....	18 V d.c.
Cutter rail length	670 mm
Cutting length	610 mm
Tooth spacing	26 mm
Cuts/min.	2000 / 3000

Sound pressure level L_{pA}	77 dB(A)
Sound power level L_{WA}	97 dB(A)
Uncertainty K_{pA} / K_{WA}	3 dB
Sound power level guaranteed L_{WA}	100 dB(A)
Vibrations a_h	$\leq 2.5 \text{ m/s}^2$
Uncertainty K	1.5 m/s^2
Weight:	2.8 kg

Caution

The equipment is supplied without batteries and without a charger. It must only be used with the lithium-ion batteries in the Power X-Change series.

The lithium-ion batteries of the Power X-Change series must only be charged only with the Power X charger.

Wear ear-muffs.

The impact of noise can cause damage to hearing.

The stated vibration emission levels and stated noise emission values were measured in accordance with a set of standardized criteria and can be used to compare one power tool with another.

The stated vibration emission levels and stated noise emission values can also be used to make an initial assessment of exposure.

Warning:

The vibration and noise emission levels may vary from the level specified during actual use, depending on the way in which the power tool is used, especially the type of workpiece it is used for.

Keep the noise emissions and vibrations to a minimum.

- Only use appliances which are in perfect working order.
- Service and clean the appliance regularly.
- Adapt your working style to suit the appliance.
- Do not overload the appliance.
- Have the appliance serviced whenever necessary.
- Switch the appliance off when it is not in use.
- Wear protective gloves.

Caution!**Residual risks**

Even if you use this electric power tool in accordance with instructions, certain resi-

dual risks cannot be ruled out. The following hazards may arise in connection with the equipment's construction and layout:

1. Lung damage if no suitable protective dust mask is used.
2. Damage to hearing if no suitable ear protection is used.
3. Health damage caused by hand-arm vibrations if the equipment is used over a prolonged period or is not properly guided and maintained.

Limit the operating time!

All stages of the operating cycle must be considered (for example, times in which the electric tools are switched off and times in which the tool is switched on but operates without load).

5. Before starting the equipment**The equipment is supplied without batteries and without a charger.****5.1 Installing the battery pack (Fig. 4)**

Press the pushlock button (Fig. 6/Item C) of the rechargeable battery and push the rechargeable battery into the mount provided. Make sure that the pushlock button engages properly! To remove the battery, proceed in reverse order!

5.2 Charging the battery (Fig. 5)

1. Take the battery pack out of the equipment. Press the push/lock button to do this.
2. Check that your mains voltage matches the voltage specified on the rating plate of the battery charger. Insert the power plug of the charger into the socket outlet. The green LED will then begin to flash.
3. Insert the battery pack into the charger.
4. In the section entitled „Charger indicator“ there is a table with an explanation of the LED display on the charger.

The battery pack can heat up slightly during charging. This is normal.

If the battery pack fails to charge, please check:

- whether there is a voltage at the mains power socket;
- whether there is good contact at the charging contacts.

If the battery pack still fails to charge, please send

- the charging unit
 - and the battery pack
- to our customer service center.

To ensure that items are properly packaged and delivered when you send them to us, please contact our customer service or the point of sale at which the equipment was purchased.

When shipping or disposing of batteries and cordless tools, always ensure that they are packed individually in plastic bags to prevent short circuits and fires.

To ensure that the battery pack provides long service, you should take care to recharge it promptly. You must recharge the battery pack when you notice that the performance of the device drops. Never allow the battery pack to become fully discharged. This will cause it to develop a defect.

5.3 Battery capacity indicator (Fig. 6)

Press the battery capacity indicator switch (item A). The battery capacity indicator (item B) shows the charge status of the battery using 3 LEDs.

All 3 LEDs are lit:

The battery is fully charged.

2 or 1 LED(s) are lit:

The battery has an adequate remaining charge.

1 LED flashes:

The battery is empty, recharge the battery.

All LEDs blink:

The battery temperature is too low. Remove the battery from the equipment, keep it at room temperature for one day. If the fault reoccurs, this means that the rechargeable battery has undergone exhaustive discharge and is defective. Remove the battery from the equipment. Never use or charge a defective battery.

6. Operation

6.1 Switching ON/OFF.

The hedge trimmer is equipped with a two-handed safety switch. It works only when the switch on the steady grip (Fig. 2/Item 3a) is pressed with one hand and the switch (Fig. 2/Item 5a) on the handle is pressed with the other hand. If either

switch is released, the cutters will stop moving. Please watch out for the cutters as they slow down to a standstill.

6.2 Speed control (Fig. 7)

The tool comes with an electronic speed controller for setting the cutting speed. Two speed settings are possible.

1. As soon as the switch (Fig. 2/Item 3a) on the steady grip or the switch (Fig. 2/Item 5a) on the handle is pressed, a green LED (level 1 – ECO/Item D) or a blue LED (level 2 – MAX/Item E) LED will light up.
2. You can change the cutting speed by pressing the "SET" pushbutton (Item F). Switching over is possible only when the motor is not running.
3. If the tool is not used for a period of 15 minutes, the LED will go out.

6.3 Rotatable handle (Fig. 8)

The hedge trimmer is fitted with a rotatable rear handle (item 5b). It can be rotated 90° to the left and right. To do this, pull the slide (item 8) in the direction of the arrow and rotate the handle.

To return the handle to its original position, pull the slide (item 8) back in the direction of the arrow. The handle should be rotated through 90° when performing vertical cuts.

6.4 Anti-blocking system

The tool features an anti-blocking system which overcomes blade blockages caused by branches. The blades move back and forth several times in order to cut through any jammed branches.

What to do if the blockage cannot be overcome

1. Stop the equipment.
2. Remove the battery.
3. Remove the jammed material from the blade (wear work gloves to prevent injury when you do so).

Notes for use

- A hedge trimmer can be used to cut shrubs and bushes as well as hedges.
- To obtain the best cutting results, hold the hedge trimmer so that the cutter teeth are at an angle of approx. 15° in relation to the hedge (see Fig. 9).
- The twin-bladed cutters rotate in opposite directions, thus enabling cutting in both directions (see Fig. 10).
- To ensure that you cut the hedge to a level

height, we recommend tying a guide line of string or similar along the hedge. Cut off all branches that protrude beyond the guide line (see Fig. 11).

Warning! Be particularly attentive when cutting along the guide line. Do not cut through the guide line. This could get entangled in the blades and lead to injuries or damage to property.

Cuttings collector (Fig. 12-14)

For horizontal cutting we recommend that you install the cuttings collector. This enables you to remove the cuttings easily and keep the top of the hedge clear (Fig. 12/13). Position the cuttings collector (item 9) on the cutter rail (Fig. 14). Then slide the cuttings collector toward the tip of the cutter rail to clamp it firmly under the retaining pin (Fig. 14 / item 1a).

- Cut the sides of the hedge with curve-shaped movements from the bottom up (see Figure 15).

After using

1. Switch off the equipment.
2. Remove the battery.
3. Allow the equipment to cool down and then store it out of children's reach.

7. Cleaning, maintenance and ordering of spare parts

Danger!

Before putting the hedge trimmer away and cleaning it, switch it off and remove the battery pack.

7.1 Cleaning

- Keep all safety devices, air vents and the motor housing free of dirt and dust as far as possible. Wipe the equipment with a clean cloth or blow it with compressed air at low pressure.
- We recommend that you clean the device immediately each time you have finished using it.
- Clean the equipment regularly with a moist cloth and some soft soap. Do not use cleaning agents or solvents; these could attack the plastic parts of the equipment. Ensure that no water can seep into the device. The ingress of water into an electric tool increases

the risk of an electric shock.

- Use a brush to remove deposits from the safety guard.

7.2 Maintenance

- The cutters should be cleaned and lubricated at regular intervals in order to ensure best performance at all times. Remove deposits with a brush and apply a thin film of oil (Fig. 16).
- There are no other parts inside the equipment that require maintenance.
- Double blades are not allowed to be used if they are damaged or worn and must be replaced by original spare parts from the manufacturer.
- Arrange for an expert or our service workshop to carry out all safety-related maintenance work and the replacement of defective parts or the sharpening or replacement of the double blade, so that you can be sure that the hedge trimmer is safe to use.

7.3 Storage

- When not in use the hedge trimmer can be hung on a nail, screw or the like for storage, with the cutter rail guard fitted (Fig. 17/Item. H).

7.4 Ordering replacement parts:

Please quote the following data when ordering replacement parts:

- Type of machine
- Article number of the machine
- Identification number of the machine
- Replacement part number of the part required

For our latest prices and information please go to www.Einhell-Service.com

8. Disposal and recycling

The equipment is supplied in packaging to prevent it from being damaged in transit. The raw materials in this packaging can be reused or recycled. The equipment and its accessories are made of various types of material, such as metal and plastic. Never place defective equipment in your household refuse. The equipment should be taken to a suitable collection center for proper disposal. If you do not know the whereabouts of such a collection point, you should ask in your local council offices.

9. Storage

- Remove the rechargeable battery/batteries.
- Clean and maintain the equipment before putting it into storage
- Store the equipment and accessories in a dark and dry place at above freezing temperature. The ideal storage temperature is between 5 and 30 °C. Store the electric tool in its original packaging.
- Use the cutter rail guard

10. Transport

- Remove the rechargeable battery/batteries.
- Always carry the tool with one hand on the handle and the other on the additional handle. Do not carry the tool by the motor housing.
- Secure the tool against slipping if transporting it by car.
- If possible, use the original packaging for transportation.

11. Faults

Check that the battery is charged and the charging unit is working. If the equipment will not work despite the voltage supply being present, please send it to the customer service address below.

Disposal



Power tools, rechargeable batteries, accessories and packaging should be sorted for environmental-friendly recycling.

Do not dispose of power tools and batteries/rechargeable batteries into household waste!

Only for EU countries:

According to the Directive 2012/19/EU on waste electrical and electronic equipment and its transposition into national law, power tools that are no longer usable, and, according to the Directive 2006/66/EC, defective or drained batteries must be collected separately and disposed of in an environmentally correct manner.

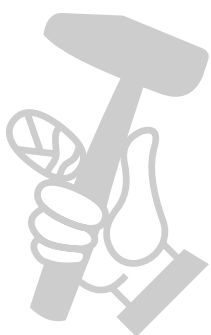
If disposed incorrectly, waste electrical and electronic equipment may have harmful effects on the environment and human health, due to the potential presence of hazardous substances.

Only for United Kingdom:

According to The Waste Electrical and Electronic Equipment Regulations 2013 (SI 2013/3113) (as amended) and the Waste Batteries and Accumulators Regulations 2009 (SI 2009/890) (as amended), products that are no longer usable must be collected separately and disposed of in an environmentally friendly manner.

The reprinting or reproduction by any other means, in whole or in part, of documentation and papers accompanying products is permitted only with the express consent of the Einhell Germany AG.

Subject to technical changes



12. Charger indicator

Indicator status		Explanations and actions
Red LED	Green LED	
Off	Flashing	<p>Ready for use The charger is connected to the mains and is ready for use; there is no battery pack in the charger</p>
On	Off	<p>Charging The charger is charging the battery pack in quick charge mode. The charging times are shown directly on the charger. Important! The actual charging times may vary slightly from the stated charging times depending on the existing battery charge.</p>
Off	On	<p>The battery is charged and ready for use. (READY TO GO) The unit then changes over to gentle charging mode until the battery is fully charged. To do this, leave the rechargeable battery on the charger for approx. 15 minutes longer. Action: Take the battery pack out of the charger. Disconnect the charger from the mains supply.</p>
Flashing	Off	<p>Adapted charging The charger is in gentle charging mode. For safety reasons the charging is performed less quickly and takes more time. The reasons can be: - The rechargeable battery has not been used for a very long time. - The battery temperature is outside the ideal range. Action: Wait for the charging to be completed; you can still continue to charge the battery pack.</p>
Flashing	Flashing	<p>Fault Charging is no longer possible. The battery pack is defective. Action: Never charge a defective battery pack. Take the battery pack out of the charger.</p>
On	On	<p>Temperature fault The battery pack is too hot (e.g. due to direct sunshine) or too cold (below 0° C). Action: Remove the battery pack and keep it at room temperature (approx. 20° C) for one day .</p>

Service information

We have competent service partners in all countries named on the guarantee certificate whose contact details can also be found on the guarantee certificate. These partners will help you with all service requests such as repairs, spare and wearing part orders or the purchase of consumables.

Please note that the following parts of this product are subject to normal or natural wear and that the following parts are therefore also required for use as consumables.

Category	Example
Wear parts*	Blade guide, Battery
Consumables*	Blade
Missing parts	

* Not necessarily included in the scope of delivery!

In the effect of defects or faults, please register the problem on the internet at www.Einhell-Service.com. Please ensure that you provide a precise description of the problem and answer the following questions in all cases:

- Did the equipment work at all or was it defective from the beginning?
- Did you notice anything (symptom or defect) prior to the failure?
- What malfunction does the equipment have in your opinion (main symptom)? Describe this malfunction.

