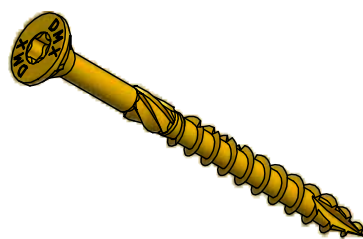
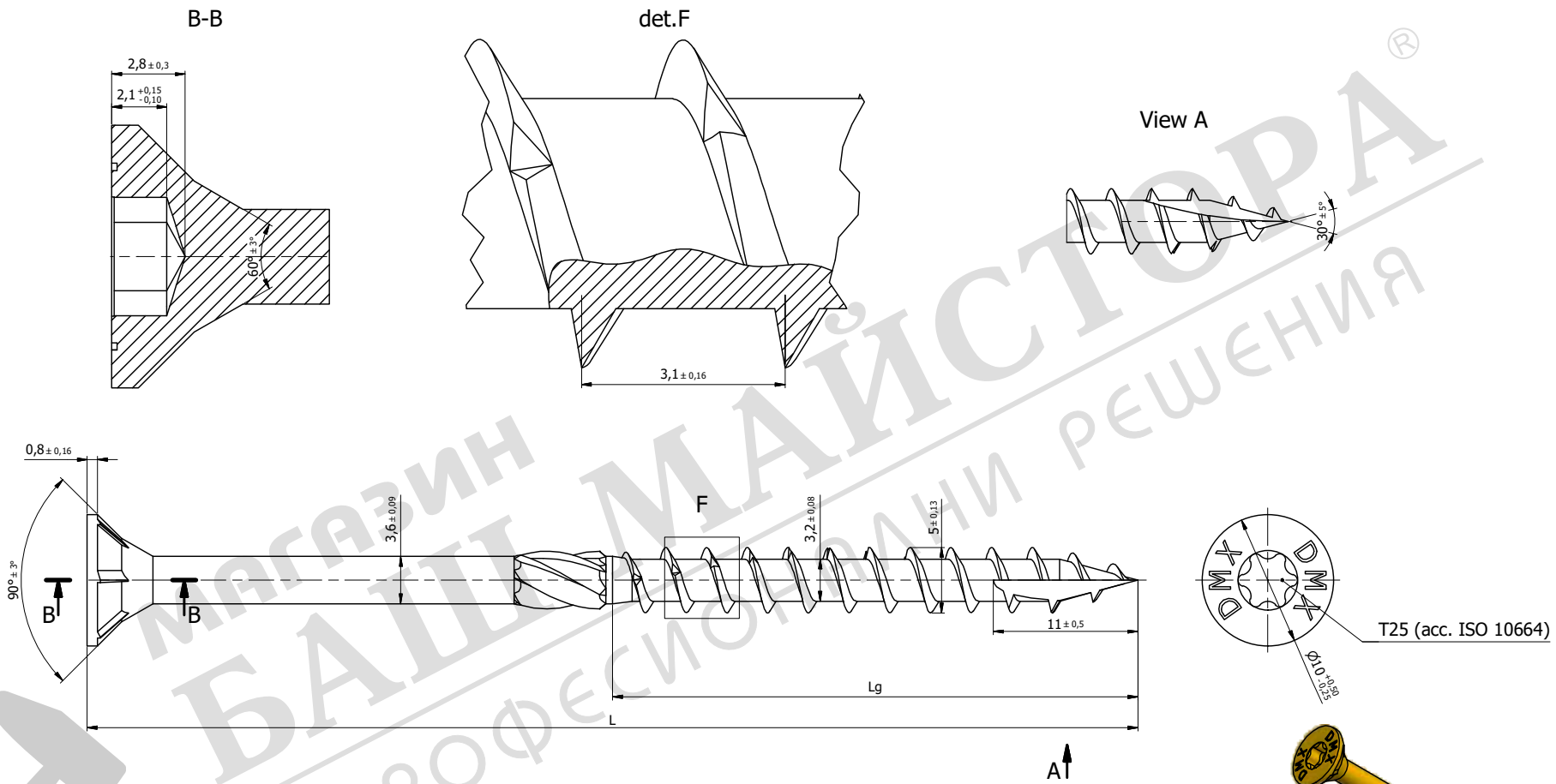


This document is the absolute property of DOMAX Sp. z o.o. This document must not be copied without the written permission of DOMAX Sp. z o.o. The contents thereof must not be disclosed to a third party nor be used for any unauthorized purpose. Contravention will be prosecuted.

Rev	Explanation	Date	Revised by	Approved by



Index	Name	L [mm]	Tolerance	Lg [mm]	Tolerance	Surface [cm ²]	Weight [g]		
310503	CS 05040	40	+/-1	24	+/-1	7,4	3,67		
310504	CS 05045	45		27		8,11	4,05		
310505	CS 05050	50		30		8,82	4,42		
310506	CS 05060	60		36		10,24	5,18		
310507	CS 05070	70		40		11,56	5,94		
310508	CS 05080	80		40		12,69	6,74		
310209	CS 05090	90		40		13,82	7,54		
310510	CS 05100	100		60		15,91	8,19		
310512	CS 05120	120		+/-2		60	+/-1,5	18,17	9,78

Note:
 1. General tolerances EN 22768 mK.
 2. Surface Fe/Zn 12c acc. EN ISO 2081

-	Rod	-	Ø3,6	10B21	-	-
Item	Identification	Amt.	Specification	Raw material	Surface [dm ²]	Weight [kg]
Design	K. Rytlewski	Checked	W. Balsewicz	Approved	Code	CS-F
Drawn	K. Rytlewski					
Index	03.06.2016	Date				
domax		Screw CS-F 5		Sheet 1/1		
DOMAX Sp. z o.o.		CS-F 5		Rev		