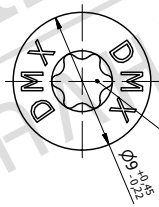
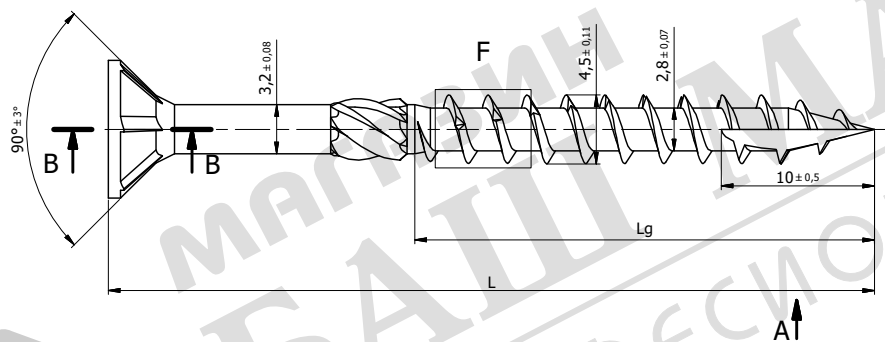
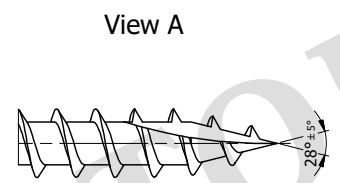
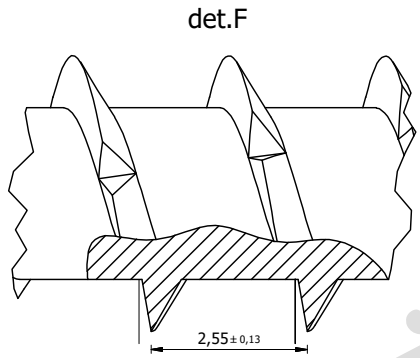
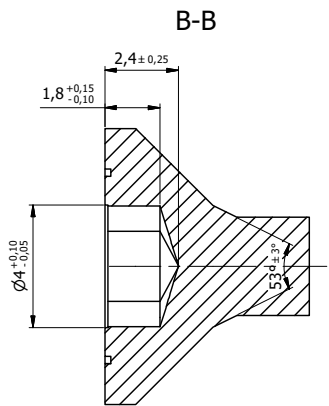


This document is the absolute property of DOMAX Sp. z o.o. This document must not be copied without the written permission of DOMAX Sp. z o.o. The contents thereof must not be disclosed to a third party nor be used for any unauthorized purpose. Contravention will be prosecuted.

Rev	Explanation	Date	Revised by	Approved by



T20 (acc. ISO 10664)



- Note:  
 1. General tolerances EN 22768 mK.  
 2. Surface Fe/Zn 12c acc. EN ISO 2081

Index	Name	L [mm]	Tolerance	Lg [mm]	Tolerance	Surface [cm2]	Weight [g]
310203	CS 45030	30	+/-0,75	18	+/-0,75	5,26	2,28
3102035	CS 45035	35		18		5,76	2,6
310204	CS 45040	40		24		6,56	2,88
3102045	CS 45045	45	+/-1	30	+/-1	7,36	3,16
310205	CS 45050	50		30		7,86	3,47
310206	CS 45060	60		35		9,11	4,07
310207	CS 45070	70		40		10,36	4,67
310208	CS 45080	80		40		11,36	5,3

-	Rod	-	Ø3,2	10B21	-	-
Item	Identification	Amt.	Specification	Raw material	Surface [dm2]	Weight [kg]
Design	K. Rytlewski	Checked	W. Balsewicz	Approved	Code CS-F	
Drawn	K. Rytlewski					
Index	12.05.2016	Date				
<b>domax</b>		Screw CS-F 4,5		Sheet 1/1		
DOMAX Sp. z o.o.		CS-F 4,5		Rev		