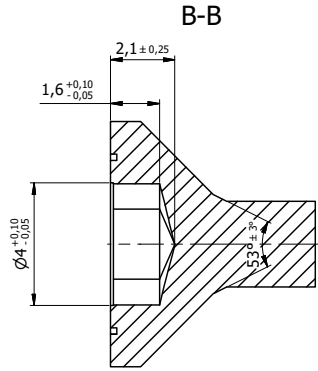
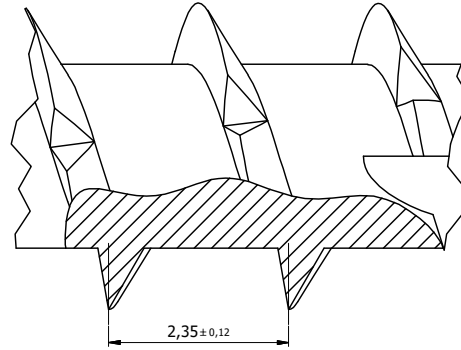


This document is the absolute property of DOMAX Sp. z o.o. This document must not be copied without the written permission of DOMAX Sp. z o.o. The contents thereof must not be disclosed to a third party nor be used for any unauthorized purpose. Contravention will be prosecuted.

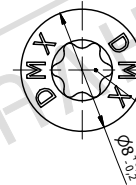
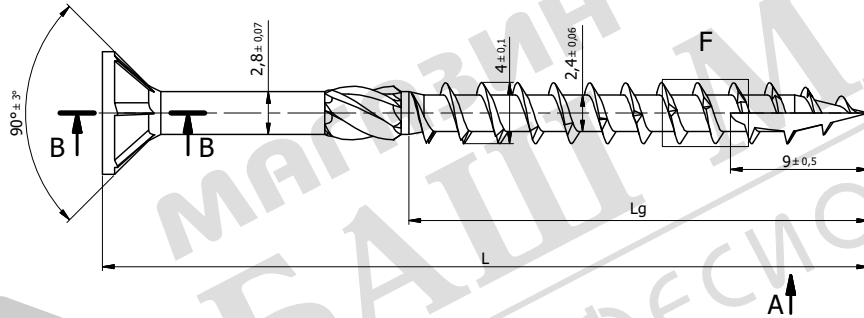
Rev	Explanation	Date	Revised by	Approved by



det.F



View A



T20 (acc. ISO 10664)



- Note:  
 1. General tolerances EN 22768 mK.  
 2. Surface Fe/Zn 12c acc. EN ISO 2081

Index	Name	L [mm]	Tolerance	Lg [mm]	Tolerance	Surface [cm2]	Weight [g]
310403	CS 40030	30	+/-0,75	18	+/-0,75	4,57	1,71
3104035	CS 40035	35		18		5,01	1,96
310404	CS 40040	40		24		5,7	2,16
3104045	CS 40045	45	+/-1	30	+/-1	6,4	2,37
310405	CS 40050	50		30		6,84	2,61
310406	CS 40060	60		35		7,93	3,07
310407	CS 40070	70		40		9,03	3,52
310408	CS 40080	80		40		9,91	4,01

-	Rod	-	Ø2,8	10B21	-	-
Item	Identification	Amt.	Specification	Raw material	Surface [dm2]	Weight [kg]
Design	K. Rytlewski	Checked	W. Balsewicz	Approved	Code CS-F	
Drawn	K. Rytlewski					
Index	12.05.2016	Date	Sheet 1/1			
		Screw CS-F 4		Rev		
DOMAX Sp. z o.o.		CS-F 4				