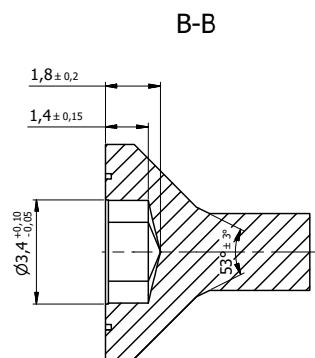
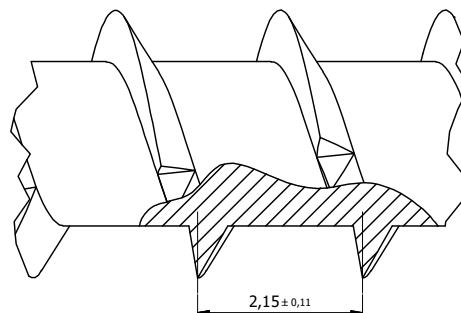


This document is the absolute property of DOMAX Sp. z o.o. This document must not be copied without the written permission of DOMAX Sp. z o.o. The contents thereof must not be disclosed to a third party nor be used for any unauthorized purpose. Contravention will be prosecuted.

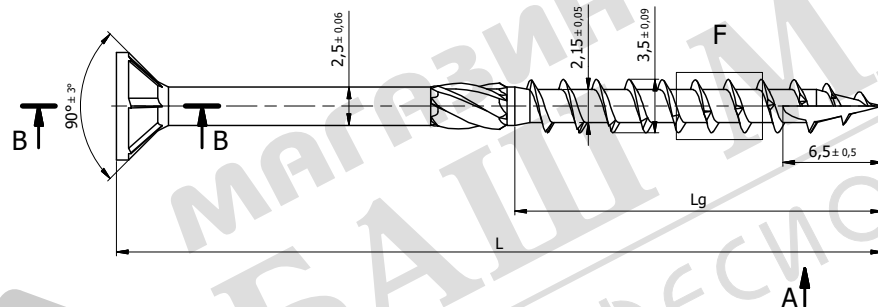
Rev	Explanation	Date	Revised by	Approved by



det.F



View A



T15 (acc. ISO 10664)



Note:

- General tolerances EN 22768 mK.
- Surface Fe/Zn 12c acc. EN ISO 2081

Index	Name	L (mm)	Tolerance	Lg (mm)	Tolerance	Surface (cm ²)	Weight (g)
310103	CS 35030	30	+/-0,75	18	+/-0,75	3,86	1,33
3101035	CS 35035	35		18		4,25	1,52
310104	CS 35040	40		18		4,65	1,72
3101045	CS 35045	45	+/-1	24	+/-1	5,24	1,88
310105	CS 35050	50		24		5,63	2,07

-	Rod	-	Ø2,5	10B21	-	-
Item	Identification	Amt.	Specification	Raw material	Surface [dm ²]	Weight [kg]
Design	K. Rytlewski	Checked	W. Balsewicz	Approved	Code CS-F	
Drawn	K. Rytlewski					
Index	11.05.2016	Date	Sheet 1/1			
domax			Screw CS-F 3,5		Rev	
DOMAX Sp. z o.o.			CS-F 3,5			