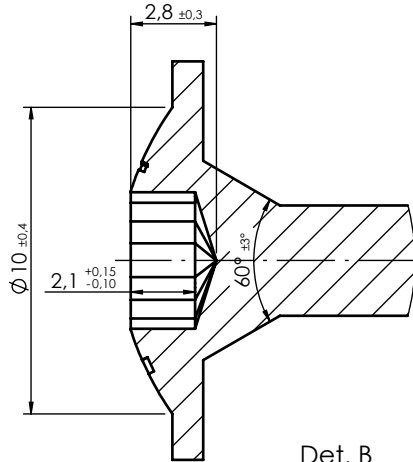
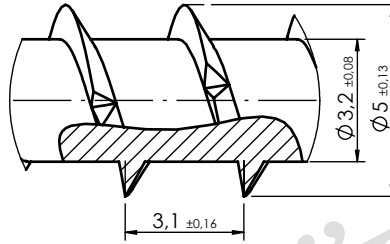


This document is the absolute property of DOMAX Sp. z o.o. This document must not be copied without the written permission of DOMAX Sp. z o.o. The contents thereof must not be disclosed to a third party nor be used for any unauthorized purpose. Contravention will be prosecuted.

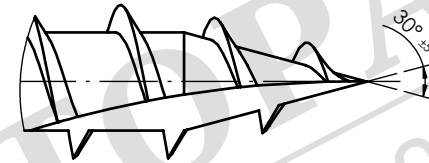
| Revision |             |      |            |             |
|----------|-------------|------|------------|-------------|
| Rev.     | Explanation | Date | Revised by | Approved by |
|          |             |      |            |             |



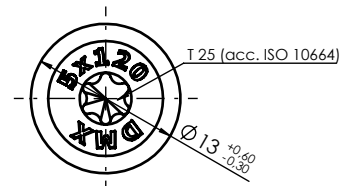
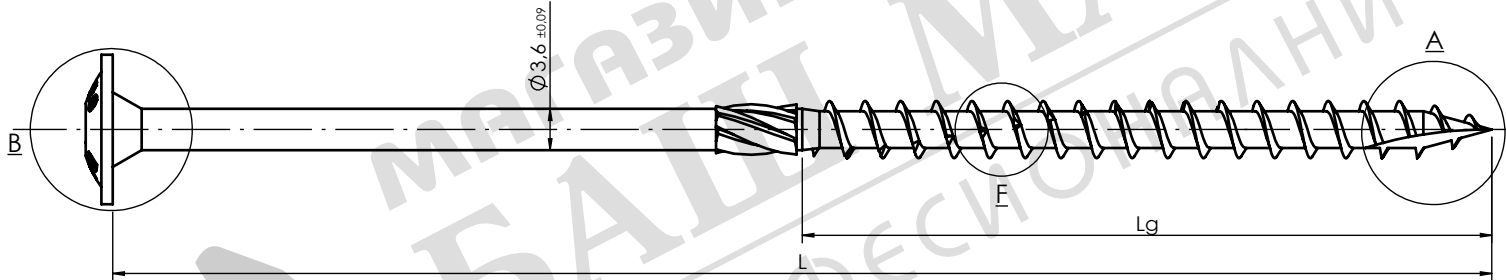
Det. B  
4:1



Det. F  
4:1



Det. A  
4:1



Note:

- General tolerances EN 22768 mK.
- Surface Fe/Zn 12c acc. EN ISO 2081

| Indeks | Name     | L [mm] | Tolerance | Lg [mm] | Tolerance | Surface [cm2] | Weight [g] |      |       |
|--------|----------|--------|-----------|---------|-----------|---------------|------------|------|-------|
| 320503 | CT 05040 | 40     | ± 1       | 24      | ± 1       | 8,83          | 4,15       |      |       |
| 320504 | CT 05045 | 45     |           | 27      |           | 9,54          | 4,53       |      |       |
| 320505 | CT 05050 | 50     |           | 30      |           | 10,25         | 4,9        |      |       |
| 320506 | CT 05060 | 60     |           | 36      |           | 11,66         | 5,65       |      |       |
| 320507 | CT 05070 | 70     |           | 40      |           | 13            | 6,41       |      |       |
| 320508 | CT 05080 | 80     |           | 40      |           | 14,12         | 7,2        |      |       |
| 320509 | CT 05090 | 90     |           | 40      |           | 15,25         | 8          |      |       |
| 320510 | CT 05100 | 100    |           | 60      |           | 17,33         | 8,64       |      |       |
| 320512 | CT05120  | 120    |           | ± 2     |           | 60            | ± 1,5      | 19,6 | 10,22 |

| Rod Identification |              | Ø 2.8 Specification |    | 10B21 Raw material |       |
|--------------------|--------------|---------------------|----|--------------------|-------|
| Design             | D. Kozłowski | Checked             | -  | Approved           | -     |
| Drawn              | D. Kozłowski | Format              | A4 | Scale              | 1:1   |
| Material           | 10B21        | Weight              | -  |                    |       |
| Date               | 16.10.2023   | Screw CT 5          |    | Sheet              | 1 / 1 |
| Rev                | 0            | CT 5                |    |                    |       |

**domax**  
DOMAX Sp. z o.o.