

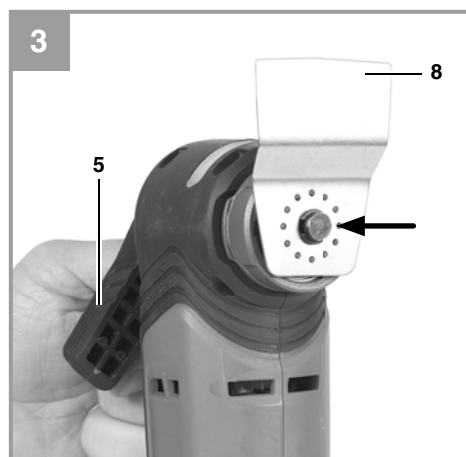
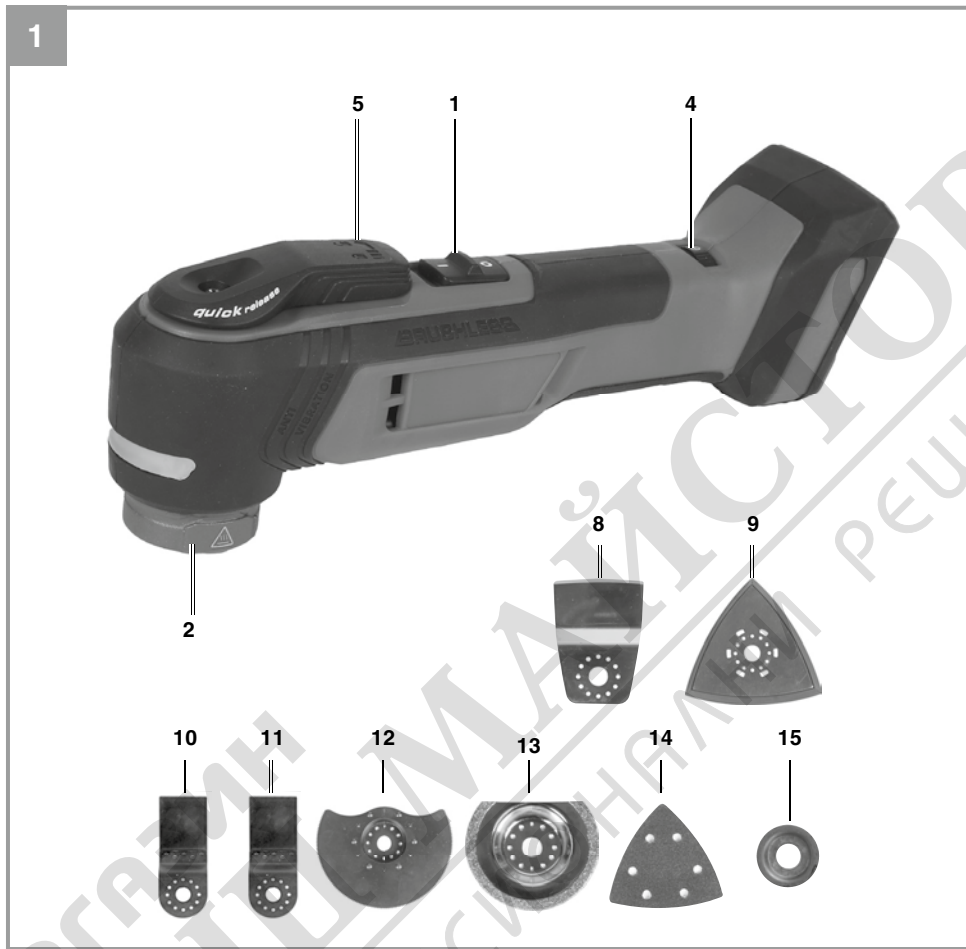
D	Originalbetriebsanleitung Akku-Multifunktionswerkzeug	SLO	Originalna navodila za uporabo Večfunkcijsko orodje na baterije
GB	Original operating instructions Cordless Multifunction Tool	H	Eredeti használati utasítás Akku-multifunkcionális szerszám
F	Instructions d'origine Outil multifonctions sans fil	RO	Instrucțiuni de utilizare originale Unealtă multifuncțională cu acumulator
I	Istruzioni per l'uso originali Utensile multifunzione a batteria	GR	Πρωτότυπες Οδηγίες χρήσης Πολυεργαλειο μπαταρίας
DK/ N	Original betjeningsvejledning Akku-multifunktionsværktøj	P	Manual de instrucções original Ferramenta multifunções sem fi
S	Original-bruksanvisning Batteridrivet multifunktionsverktyg	HR/ BIH	Originalne upute za uporabu Baterijski višefunkcionalni alat
CZ	Originální návod k obsluze Akumulátorové víceúčelové nářadí	RS	Originalna uputstva za upotrebu Baterijski multifunkcioni alat
SK	Originálny návod na obsluhu Akumulátorové multifunkčné náradie	TR	Orijinal Kullanma Talimatı Akülü çok amaçlı taslama
NL	Originele handleiding Multifunctioneel accugereedschap	PL	Instrukcją oryginalną Akumulatorowe narzędzie wielofunkcyjne
E	Manual de instrucciones original Herramienta multiusos a batería	EE	Originaalkasutusjuhend Akuga multifunktsionaalne tööriist
FIN	Alkuperäiskäyttöohje Akku-monitoimityökalu		

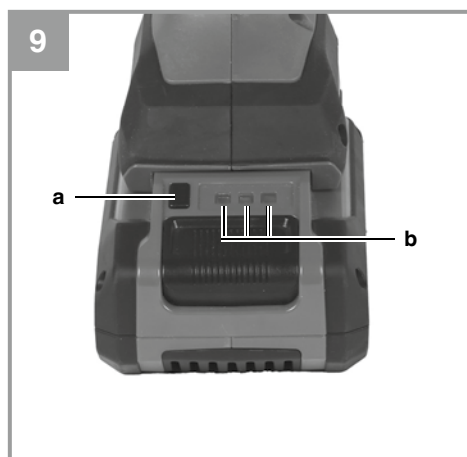
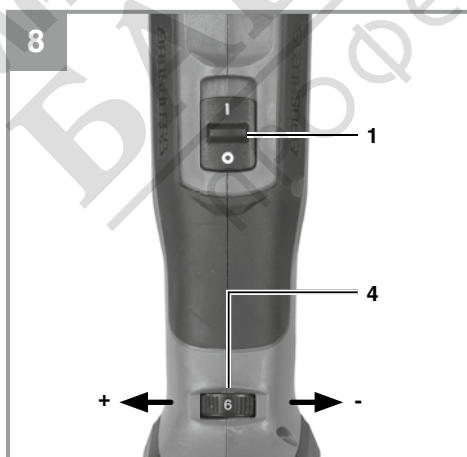
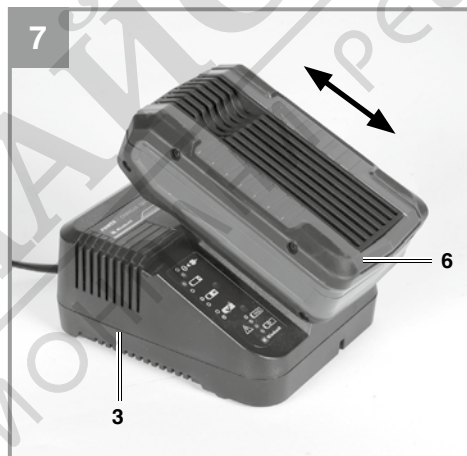
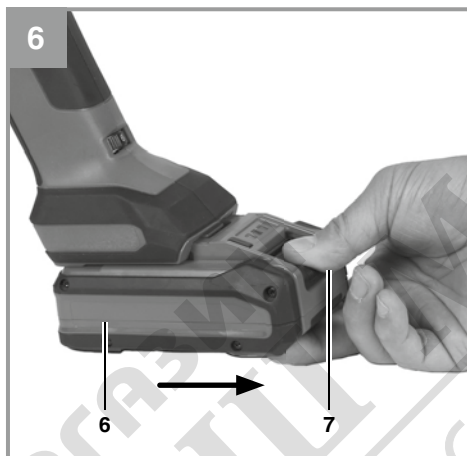
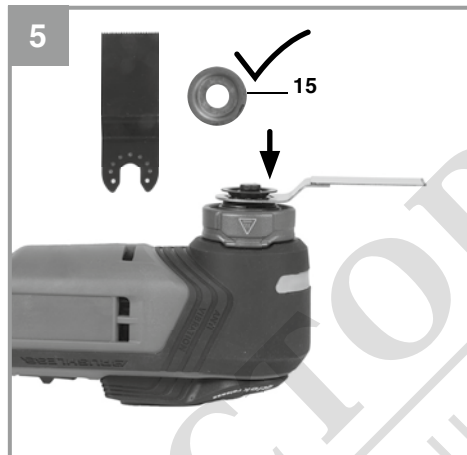
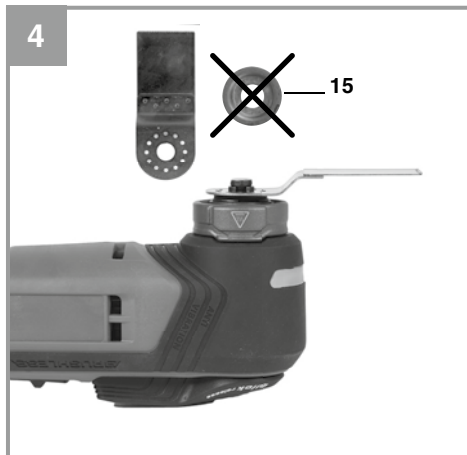
13

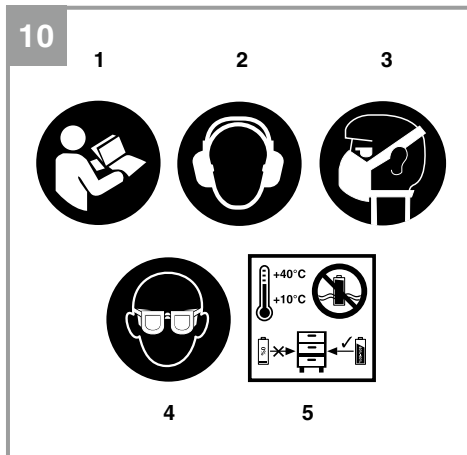


Art.-Nr.: 44.651.90

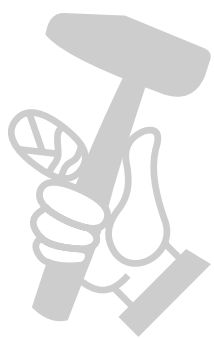
I.-Nr.: 21012







МАГАЗИН МАЙСТОРА
БАШ МАЙСТОРА
ПРОФЕСІОНАЛНИ РЕШЕНИЯ



Danger!

When using the equipment, a few safety precautions must be observed to avoid injuries and damage. Please read the complete operating instructions and safety regulations with due care. Keep this manual in a safe place, so that the information is available at all times. If you give the equipment to any other person, hand over these operating instructions and safety regulations as well. We cannot accept any liability for damage or accidents which arise due to a failure to follow these instructions and the safety instructions.

Explanation of the symbols used (see Fig. 10)

- Danger!** - Read the operating instructions to reduce the risk of injury.
- Caution! Wear ear-muffs.** The impact of noise can cause damage to hearing.
- Caution! Wear a breathing mask.** Dust which is injurious to health can be generated when working on wood and other materials. Never use the device to work on any materials containing asbestos!
- Caution! Wear safety goggles.** Sparks generated during working or splinters, chips and dust emitted by the device can cause loss of sight.
- Store the batteries only in dry rooms with an ambient temperature of +10°C to +40°C. Place only fully charged batteries in storage (charged at least 40%).

1. Safety regulations

The corresponding safety information can be found in the enclosed booklet.

Warning!

Read all the safety information, instructions, illustrations and technical data provided on or with this power tool. Failure to adhere to the following instructions may result in electric shock, fire and/or serious injury.

Keep all the safety information and instructions in a safe place for future use.

2. Layout and items supplied**2.1 Layout (Fig. 1)**

- On/Off switch
- Tool chuck
- Charger (not included in delivery)
- Speed controller
- Quick-release lock for changing tools

- Battery pack (not included in delivery)
- Pushlock button
- Scraper
- Triangular grinding/sanding plate
- Plunge-cut saw blade for wood
- Plunge-cut saw blade for metal
- Segmented saw blade (HSS)
- Segmented saw blade for tile joints
- Abrasive paper
- Disk

2.2 Items supplied

Please check that the article is complete as specified in the scope of delivery. If parts are missing, please contact our service center or the sales outlet where you made your purchase at the latest within 5 working days after purchasing the product and upon presentation of a valid bill of purchase. Also, refer to the warranty table in the service information at the end of the operating instructions.

- Open the packaging and take out the equipment with care.
- Remove the packaging material and any packaging and/or transportation braces (if available).
- Check to see if all items are supplied.
- Inspect the equipment and accessories for transport damage.
- If possible, please keep the packaging until the end of the guarantee period.

Danger!

The equipment and packaging material are not toys. Do not let children play with plastic bags, foils or small parts. There is a danger of swallowing or suffocating!

- Multifunction tool
- Triangular grinding/sanding plate
- Scraper
- 9x abrasive paper
- Plunge-cut saw blade for wood
- Plunge-cut saw blade for metal
- Segmented saw blade (HSS)
- Segmented saw blade for tiles
- Original operating instructions
- Safety instructions

3. Proper use

The equipment is suitable for sanding/grinding small areas. For sanding/grinding larger areas the vacuum extractor, which is available as an accessory (see 7.3), must be used.

The equipment is designed for the sanding/grinding of wood, iron, plastic and similar materials using the appropriate abrasive paper. Furthermore, the equipment is intended for sawing wood, plastic and similar materials, as well as scraping off glued carpets, filling compound residues, old paint and similar applications.

The equipment is to be used only for its prescribed purpose. Any other use is deemed to be a case of misuse. The user / operator and not the manufacturer will be liable for any damage or injuries of any kind caused as a result of this.

4. Technical data

Motor power supply: 18 V DC
 Idling speed: 11000-20000 min⁻¹
 Sanding/grinding area: 90 x 90 x 90 mm
 Oscillation angle: 3.2°
 Weight: 1.1 kg

Important!

The equipment is supplied without rechargeable batteries and without a charger and is allowed to be used only with the lithium-ion batteries of the Power X-Change series!

The lithium-ion batteries of the Power X-Change series are allowed to be charged only with Power-X chargers.

Danger!

Sound and vibration

Sound and vibration values were measured in accordance with EN 62841.

L_{pA} sound pressure level 79 dB(A)
 K_{pA} uncertainty 3 dB
 L_{WA} sound power level 87 dB(A)
 K_{WA} uncertainty 3 dB

Wear ear-muffs.

The impact of noise can cause damage to hearing.

Total vibration values (vector sum of three directions) determined in accordance with EN 62841.

Handle

Vibration emission value $a_h = 8.648 \text{ m/s}^2$
 K uncertainty = 1.5 m/s^2

The stated vibration emission levels and stated noise emission values were measured in accordance with a set of standardized criteria and can be used to compare one power tool with another.

The stated vibration emission levels and stated noise emission values can also be used to make an initial assessment of exposure.

Warning:

The vibration and noise emission levels may vary from the level specified during actual use, depending on the way in which the power tool is used, especially the type of workpiece it is used for.

Keep the noise emissions and vibrations to a minimum.

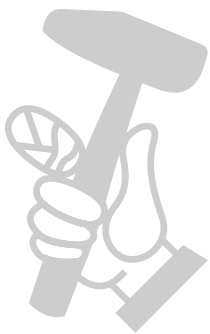
- Only use appliances which are in perfect working order.
- Service and clean the appliance regularly.
- Adapt your working style to suit the appliance.
- Do not overload the appliance.
- Have the appliance serviced whenever necessary.
- Switch the appliance off when it is not in use.

Caution!

Residual risks

Even if you use this electric power tool in accordance with instructions, certain residual risks cannot be ruled out. The following hazards may arise in connection with the equipment's construction and layout:

1. Lung damage if no suitable protective dust mask is used.
2. Damage to hearing if no suitable ear protection is used.
3. Health damage caused by hand-arm vibrations if the equipment is used over a prolonged period or is not properly guided and maintained.



5. Before using the equipment

Warning!

Always remove the battery pack before making adjustments to the equipment.

Be sure to read the following information before you put the cordless equipment into operation:

- Charge the battery pack with the charger.

5.1 Fitting the plug-in tools (Figures 1-5)

- Open the quick-release lock for changing tools (5) as shown in Fig. 2.
- To fit the plug-in tools safely you should hold the multifunction tool so that the On/Off switch (1) points down and the tool chuck (2) faces up.
- Place the plug-in tool (e.g. the scraper) on the tool chuck (2) so that the pins of the tool chuck fit into the recesses in the plug-in tool. The tool chuck (2) is magnetic in order to secure the plug-in tool during the clamping procedure.
- Close the quick-release lock for changing tools (5) again. Take care that the pins of the chuck (2) remain in the recesses in the plug-in tool.
- The equipment comes with a disk (15) for safely securing plug-in tools with recesses. Please note the correct use (camber facing the tool) of the disk (15) for plug-in tools with recess as shown in Fig. 4 and 5.

Check that the plug-in tool is secure.

5.2 Triangular sanding/grinding plate

Fit the triangular sanding/grinding plate to use the equipment as a delta sander/grinder.

5.2.1 Fastening the sanding/grinding paper

The hook-and-loop-fastener enables easy changing of the abrasive paper. Make sure that the vacuum extraction holes on the abrasive paper and the grinding/sanding disk are aligned.

6. Operation

6.1 Charging the LI battery pack (Fig. 6/7)

1. Remove the battery pack (6) from the handle, pressing the pushlock button (7) downwards to do so.
2. Check that your mains voltage is the same as that marked on the rating plate of the battery

charger. Insert the power plug of the charger into the socket outlet. The green LED will then begin to flash.

3. Push the battery pack onto the battery charger.

In section 10 (Charger indicator) you will find a table with an explanation of the LED indicator on the charger.

If the battery pack fails to charge, check for the following:

- voltage at the power socket
- whether there is good contact at the charging contacts of the charging unit

If the battery pack still fails to charge, send

- the charging unit
 - and the battery pack
- to our customer service center.

To ensure that items are properly packaged and delivered when you send them to us, please contact our customer service or the point of sale at which the equipment was purchased.

When shipping or disposing of batteries and cordless tools, always ensure that they are packed individually in plastic bags to prevent short circuits and fires.

To ensure that the battery pack provides long service, you should take care to recharge it promptly. You must recharge the battery pack when you notice that the performance of the device drops. Never allow the battery pack to become fully discharged. This will cause it to develop a defect.

6.2 Switching on and off (Fig. 8)

Slide the switch (1) forwards to switch on the equipment.

Slide the switch (1) to the rear again to switch off the equipment.

6.3 Practical tips

- Switch on the equipment.
- Work away from the body.
- Never move your hands into the direct vicinity of the work area.
- Use only plug-in tools which are in good working order and undamaged.

Plug-in tools:

Sawing: Sawing wood and plastic.

Notes on working practice: When sawing, watch out for foreign bodies in the material and remove them if necessary.

Plunge cutting is allowed only in soft materials such as wood or plasterboard.

Sanding/grinding: Surface sanding/grinding at edges, in corners or hard-to-reach areas. Depending on choice of abrasive paper for the sanding/grinding of wood, paint, lacquer, etc.

Notes on working practice:

This equipment offers particularly high performance for the grinding/sanding of hard-to-reach corners and edges. To grind/sand profiles and channels you can also work with just the tip or the edge of the grinding/sanding disk. Various grinding/sanding papers are available, specially designed for the different types of material you may be working on and the amount you wish to remove from the surface. The amount removed will depend largely on the choice of sanding/grinding paper and pressure applied to the sanding/grinding disk.

Scraping: Scraping off old paint or adhesives.

Notes on working practice:

Move the plug-in tool against the area you want to remove. Begin with a flat angle of incidence and little pressure. The surface (e.g. wood, plaster) may be damaged if too much pressure is used.

6.4 Speed control (Fig. 8)

You can select the speed by turning the speed controller (4).

Plus direction: Higher speed

Minus direction: Lower speed

6.5 Battery capacity indicator (Fig. 9 /Item b)

Press the battery capacity indicator switch (a).

The battery capacity indicator (b) will indicate the charge status of the battery by means of 3 LEDs.

All 3 LEDs are lit:

The battery is fully charged.

2 or 1 LED(s) are lit:

The battery has an adequate remaining charge.

1 LED flashes:

The battery is empty, recharge the battery.

All LEDs blink:

The battery temperature is too low. Remove the

battery from the equipment, keep it at room temperature for one day. If the fault reoccurs, this means that the rechargeable battery has undergone exhaustive discharge and is defective. Remove the battery from the equipment. Never use or charge a defective battery.

7. Cleaning, maintenance and ordering spare parts**Hazard!**

Always take the battery out of the equipment before starting any cleaning work.

7.1 Cleaning

- Keep all safety devices, air vents and the motor housing free of dirt and dust as far as possible. Wipe the equipment with a clean cloth or blow it with compressed air at low pressure.
- We recommend that you clean the device immediately each time you have finished using it.
- Clean the equipment regularly with a moist cloth and some soft soap. Do not use cleaning agents or solvents; these could attack the plastic parts of the equipment. Ensure that no water can seep into the device. The ingress of water into an electric tool increases the risk of an electric shock.

7.2 Maintenance

There are no parts inside the equipment which require additional maintenance.

7.3 Ordering spare parts and accessories

Please provide the following information when ordering spare parts:

- Type of unit
- Article number of the unit
- ID number of the unit
- Spare part number of the required spare part

For our latest prices and information please go to www.Einhell-Service.com



Tip! For good results we recommend high-quality accessories from **kwb !**
www.kwb.eu
welcome@kwb.eu

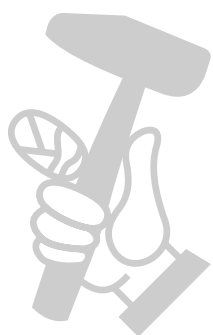
Dust extraction adapter (Art. No.: 44.651.63)

8. Disposal and recycling

The equipment is supplied in packaging to prevent it from being damaged in transit. The raw materials in this packaging can be reused or recycled. The equipment and its accessories are made of various types of material, such as metal and plastic. Never place defective equipment in your household refuse. The equipment should be taken to a suitable collection center for proper disposal. If you do not know the whereabouts of such a collection point, you should ask in your local council offices.

9. Storage

Store the equipment and accessories in a dark and dry place at above freezing temperature. The ideal storage temperature is between 5 and 30°C. Store the electric tool in its original packaging.



10. Charger indicator

Indicator status		Explanations and actions
Red LED	Green LED	
Off	Flashing	<p>Ready for use The charger is connected to the mains and is ready for use; there is no battery pack in the charger</p>
On	Off	<p>Charging The charger is charging the battery pack in quick charge mode. The charging times are shown directly on the charger. Important! The actual charging times may vary slightly from the stated charging times depending on the existing battery charge.</p>
Off	On	<p>The battery is charged and ready for use. (READY TO GO) The unit then changes over to gentle charging mode until the battery is fully charged. To do this, leave the rechargeable battery on the charger for approx. 15 minutes longer. Action: Take the battery pack out of the charger. Disconnect the charger from the mains supply.</p>
Flashing	Off	<p>Adapted charging The charger is in gentle charging mode. For safety reasons the charging is performed less quickly and takes more time. The reasons can be: - The rechargeable battery has not been used for a very long time. - The battery temperature is outside the ideal range. Action: Wait for the charging to be completed; you can still continue to charge the battery pack.</p>
Flashing	Flashing	<p>Fault Charging is no longer possible. The battery pack is defective. Action: Never charge a defective battery pack. Take the battery pack out of the charger.</p>
On	On	<p>Temperature fault The battery pack is too hot (e.g. due to direct sunshine) or too cold (below 0° C). Action: Remove the battery pack and keep it at room temperature (approx. 20° C) for one day .</p>

Disposal

Power tools, rechargeable batteries, accessories and packaging should be sorted for environmental-friendly recycling.

Do not dispose of power tools and batteries/rechargeable batteries into household waste!

Only for EU countries:

According to the Directive 2012/19/EU on waste electrical and electronic equipment and its transposition into national law, power tools that are no longer usable, and, according to the Directive 2006/66/EC, defective or drained batteries must be collected separately and disposed of in an environmentally correct manner.

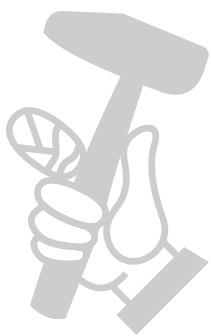
If disposed incorrectly, waste electrical and electronic equipment may have harmful effects on the environment and human health, due to the potential presence of hazardous substances.

Only for United Kingdom:

According to The Waste Electrical and Electronic Equipment Regulations 2013 (SI 2013/3113) (as amended) and the Waste Batteries and Accumulators Regulations 2009 (SI 2009/890) (as amended), products that are no longer usable must be collected separately and disposed of in an environmentally friendly manner.

The reprinting or reproduction by any other means, in whole or in part, of documentation and papers accompanying products is permitted only with the express consent of the Einhell Germany AG.

Subject to technical changes



Service information

We have competent service partners in all countries named on the guarantee certificate whose contact details can also be found on the guarantee certificate. These partners will help you with all service requests such as repairs, spare and wearing part orders or the purchase of consumables.

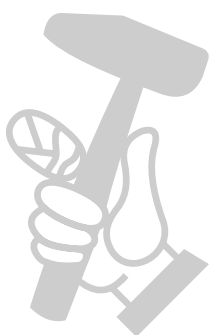
Please note that the following parts of this product are subject to normal or natural wear and that the following parts are therefore also required for use as consumables.

Category	Example
Wear parts*	Carbon brushes, Triangular sanding/grinding plate, Scraper, HSS saw blade, Diamond saw blade, Battery
Consumables*	Grinding/sanding paper
Missing parts	

* Not necessarily included in the scope of delivery!

In the event of defects or faults, please register the problem on the internet at www.Einhell-Service.com. Please ensure that you provide a precise description of the problem and answer the following questions in all cases:

- Did the equipment work at all or was it defective from the beginning?
- Did you notice anything (symptom or defect) prior to the failure?
- What malfunction does the equipment have in your opinion (main symptom)?
Describe this malfunction.



Warranty certificate

Dear Customer,

All of our products undergo strict quality checks to ensure that they reach you in perfect condition. In the unlikely event that this equipment develops a fault, please contact our service department at the address shown on this guarantee card. You can also contact us by telephone using the service number shown. Please note the following terms under which guarantee claims can be made:

1. These guarantee terms apply solely to consumers, i.e. natural persons, who do not want to use this product in connection with either their commercial or other self-employed activities. These guarantee terms regulate additional guarantee services which the undermentioned manufacturer promises to buyers of its new products in addition to their statutory rights of guarantee. Your statutory rights of guarantee are not affected by this guarantee. Our guarantee is free of charge to you.
2. The guarantee services cover only defects due to material or manufacturing faults on the new product which you have bought in the European Union from the undermentioned manufacturer and are limited to either the rectification of said defects or the replacement of the product, whichever we prefer. Please note that only equipment under the brand name "Professional" has been designed for use in commercial, trade or professional applications. For all other products the guarantee is invalidated if the equipment is used within the guarantee period in commercial, trade or industrial applications or for other equivalent activities.
3. Our guarantee does not cover:
 - Damage to the equipment caused by failure to comply with the installation/assembly instructions or by unprofessional installation; damage caused by failure to comply with the operating instructions (e.g. connection to the wrong mains voltage or current type); damage caused by failure to comply with the maintenance and safety regulations; damage caused by exposing the equipment to abnormal environmental conditions; damage resulting from poor care and maintenance.
 - Damage to the equipment caused by misuse or incorrect applications (e.g. overloading the equipment or using non-approved attachments or accessories); damage caused by foreign bodies (e.g. sand, stones, dust, ...) getting inside the equipment. Damage in transit; damage caused by force or external influences (e.g. by dropping the equipment).
 - Damage to the equipment or parts of the equipment which is owed to use-related, normal or otherwise natural wear. For example, batteries and battery packs are manufactured with a cycle limit for design-related reasons. Wear is negatively influenced in particular by load demands and charging speeds as well as exposure to heat, cold, vibration and impact.
4. The guarantee is valid for a period of 2 years starting from the purchase date of the equipment. Guarantee claims must be submitted before the end of the guarantee period and within two weeks of the defect being noticed. No guarantee claims will be accepted after the end of the guarantee period. The original guarantee period remains applicable to the equipment even if repairs are carried out or parts are replaced. In such cases, the work performed or parts fitted will not result in an extension of the guarantee period, and no new guarantee will become active for the work performed or for any replacement parts fitted. This also applies if on-site service is used.
5. To assert your guarantee claim, register the defective equipment at: www.Einhell-Service.com. You will need to provide proof of purchase of the new item of equipment. Equipment returned without such proof or without a rating plate are excluded from the guarantee services because of the lack of traceability. If the defect is covered by our guarantee, then either the item in question will be repaired immediately and returned to you or we will send you a new replacement.
6. If you have taken the equipment with you to a different EU country than where you bought it, we will arrange for a local service partner to provide the guarantee services. If you take the equipment outside the EU, the guarantee will not apply.

Of course, we are also happy to offer a chargeable repair service for any defects which are not covered or no longer covered by the scope of this guarantee. To take advantage of this service, please send the equipment to our service address. We draw attention to the restrictions of this guarantee concerning wear parts, consumables and missing parts as presented in the service information included in this operating manual.

Warrantor/ Service:

Einhell UK Ltd, Unit 10, 1st Floor, Champion's Business Park, Arrowe Brook Road, Upton, Wirral, CH49 0UQ