

GX25T-ST-4-OH

Technical Documentation



Published on 11.02.2022

MODEL GX25 SPECIFICATIONS

Engine type	4-stroke single cylinder OHC petrol engine
Bore x Stroke	35 x 26 mm
Displacement	25.0 cm ³
Compression ratio	8.0 : 1
Net power	0.7 kW (1.0 HP) / 7000 rpm
Max. net torque	1.0 Nm (0.10 kgfm) / 5000 rpm
Fuel tank capacity	0.58 Liter
Fuel cons. at cont. rated power	0.54 L/h - 7000 rpm
Engine oil capacity	0.08 Liter
Dimensions (L x W x H)	192 x 221 x 230 mm
Dry weight	2.78 kg
Lubrication system	Pumping and splash
Recommended oil	APISJ-SAE 10W30
Ignition system	Ignition coil with fixed timing, Shut off by connecting the primary coil to ground
Fuel system	Membrane carburator
Governor	No governor system
Allowed ambient temperature	Between -5°C and +40°C
Allowed altitude	Between 0 and 1500 m, above 1500 m replace the main jet
Maximum inclination	360°
PTO shaft rotation	Counterclockwise from PTO side

GX25T-ST-4-OH SPECIFICATIONS

PTO type	Clutch
PTO direction	Horizontal
Throttle control	Remote
Air cleaner	Semi-dry
Choke type	Lever
Exhaust tail	Rear
Fuel tank protector	Yes
Spark arrestor	Yes
Deflector kit	No
Tools assy	No
Supplied loose	None
RPM	10000
EU Exhaust	Yes
US EPA Exhaust	No
US EPA Evaporative	No
CARB Exhaust	No
CARB Evaporative	No
China Exhaust	No
Australia RCM	No
Non Certified	No

ILLUSTRATIONS GX25T-ST-4-OH

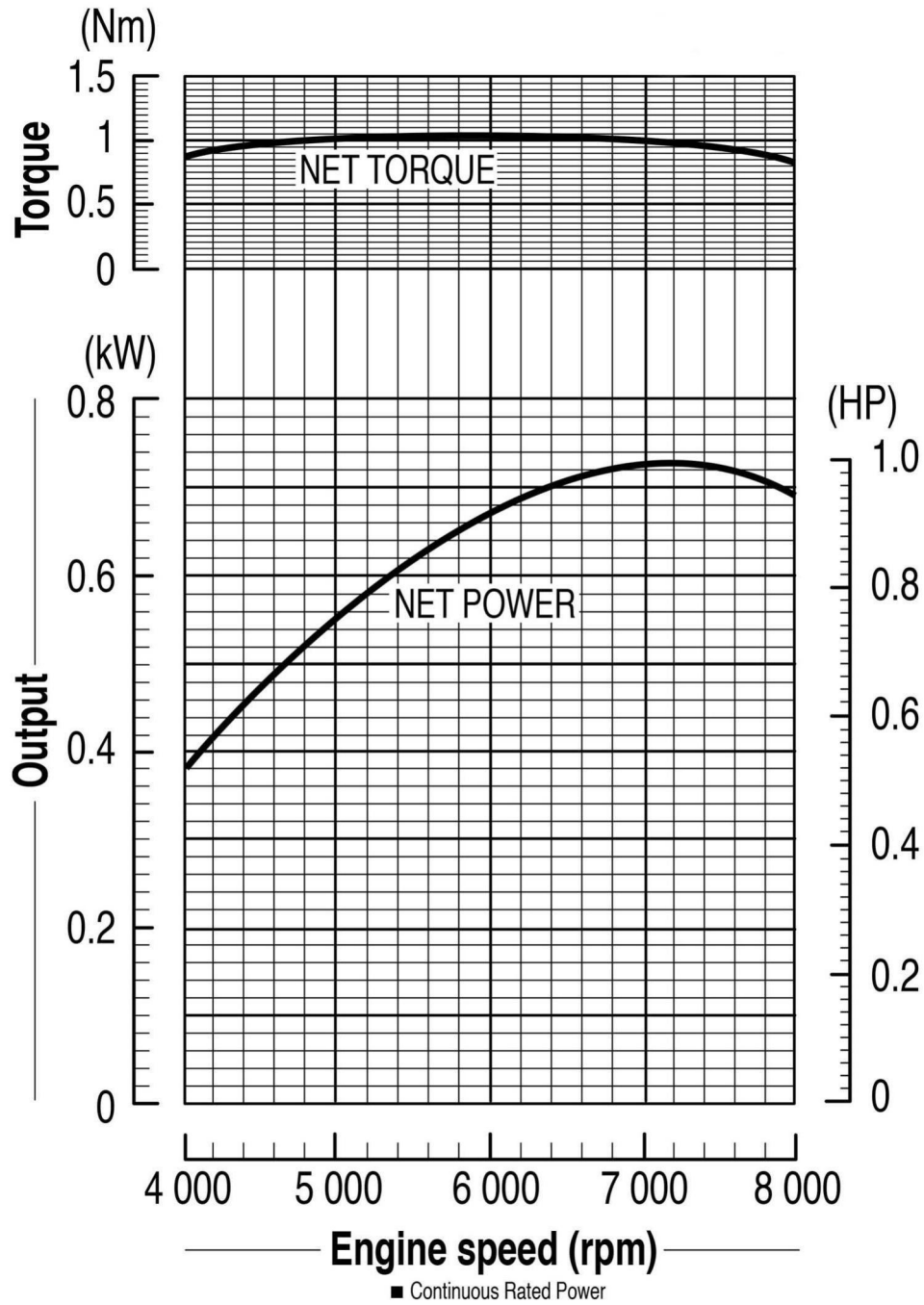
Air cleaner



Choke type

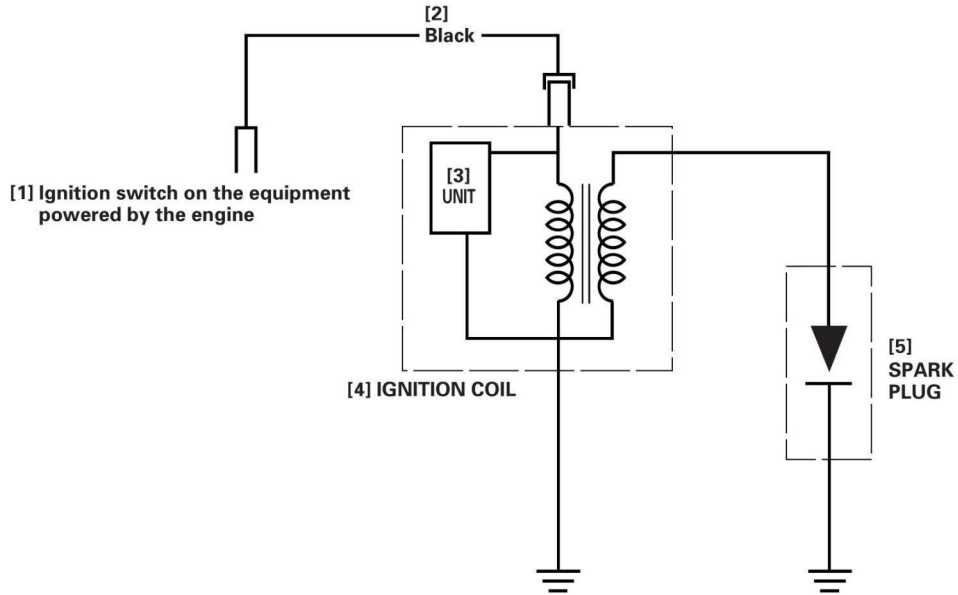


POWER CURVE GX25



The power rating of the engine indicated in this document is the net power tested on a production engine for the engine model and measured in accordance with SAE J1349 at a specific rpm. Mass production engines may vary from this value. Actual power output for the engine installed in the final machine will vary depending on numerous factors, including the operation speed of the engine in application, environmental conditions, maintenance, and other variables.

WIRING DIAGRAM GX25



The standard wiring diagram is included in this document. Depending on the specifications of the engine the wiring diagram can deviate from the standard one.



At your service ...

Over 700 Honda Engine Specialists all over Europe for maintenance and repair of your Honda engine offering:



Repair
workshop



Warranty
handling



Spare parts
retail outlet



Replacement
engines

Visit our website www.honda-engines-eu.com and find your local Honda Engine Specialist, the correct spare parts for your engine at the online spare parts catalogue, and much more information on the Honda engines.

Warranty period for GX25

Non-commercial use	24 months
Commercial use	12 months

These warranty conditions are valid for following countries:

Austria, Belgium, Croatia, Cyprus, the Czech Republic, Denmark, Finland, France, Germany, Gibraltar, Greece, Hungary, Iceland, Ireland, Italy, Luxemburg, the Netherlands, Norway, Poland, Portugal, Slovakia, Spain, Sweden, Switzerland, Bulgaria, Latvia, Estonia, Lithuania, Malta, Romania, Slovenia, the Canary Islands, the UK, Turkey, Russia and Macedonia.

Other warranty conditions for Belarus and Serbia.

For countries, which are not listed, please consult with the European Engine Centre after sales service department in order to check the availability of a Honda distributor and the applied warranty conditions.

The invoice of the machine must be used to prove the date of purchase.

All content of this document (text, pictures, images, graphs, etc) is owned by Honda and its affiliates, and is protected by copyright law. It is prohibited to copy, modify, reproduce, distribute, sell or publish the material for commercial use or gain without Honda's written permission. Honda reserves the right to modify the content without any prior notice. All efforts are made to keep the information up-to-date and accurate. The images in the document are the real images of the specific engine unless mentioned otherwise. Honda is not responsible for any damage caused to third parties through the incorrect or incomplete use, direct or indirect, of information from this document. The accessories included in the document are not supplied with the engine and need to be ordered separately.