

# SWARM A20

## Auto-Darkening Welding Helmet



SWARM A20

### Welding Processes

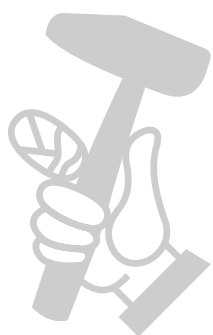
- SMAW / MMA (stick)
- MIG / MAG (GMAW)
- Plasma Cutting (PAC)
- Air Carbon Arc and Cutting (CAC-A)

The lightweight SWARM A20 welding helmet is a heavyweight when it comes to performance and flexibility. Using an advanced auto-darkening filter (ADF), SWARM A20's externally selectable shade range from 9–13 tackles the most demanding welding applications. Further adjustments to delay and sensitivity settings can be made easily with dials inside the helmet.

With a streamlined shell design, 1/1/1/2 CE optical clarity, and replaceable, long-lasting battery – SWARM A20 is the perfect solution for welders looking to improve weld quality.

- ADF viewing area: 93 x 43 mm (3.6 x 1.7 in.)
- Shade range: DIN 9–13 (adjustable)
- CE Optical class: 1/1/1/2
- Arc sensors: 2
- Fast switching time of 0.1 millisecond
- Fully-adjustable delay and sensitivity settings
- Replaceable 1 x CR2032 battery
- Low battery indicator LED
- ADF test button

Visit [esab.com](http://esab.com) for more information.



SWARM A20 front view

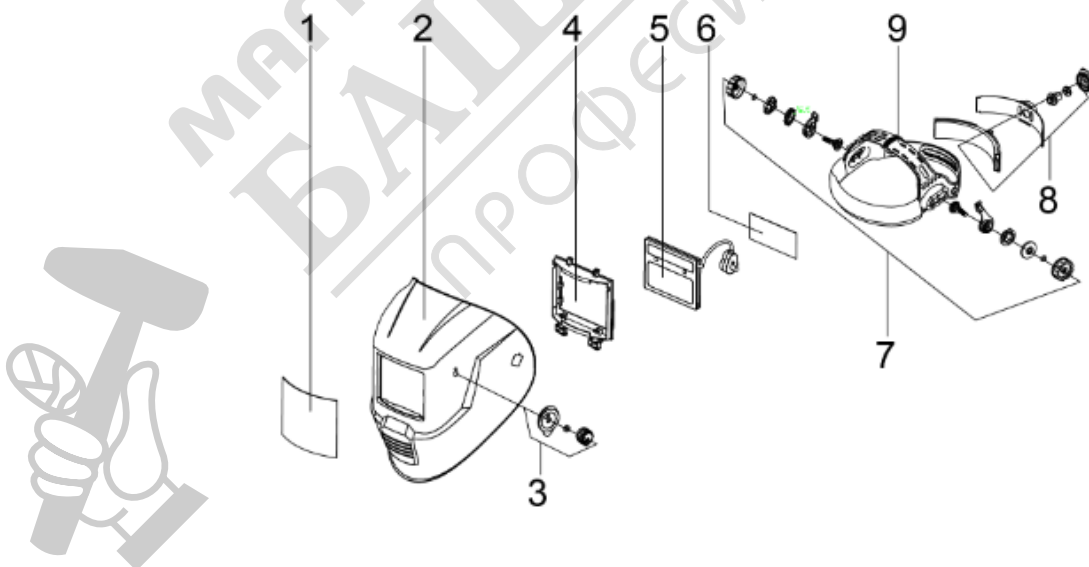
# SWARM A20

Specifications	
Viewing Area	93 x 43 mm (3.6 x 1.7 in.)
Active Lens Shade (Adjustable)	9–13
Passive Lens Shade	4
Power Supply	1 x CR2032 battery, replaceable
Arc Sensors	2
Switch Time (Light to Dark)	0.1 ms
CE Optical Classification	1/1/1/2
Standards and Certifications	CE: EN175; EN379; EN166   ANSI: Z87.1   CSA: Z94.3   Brazil CA
Weight	520g (1.1 lb)

Ordering Information	
Description	Part Number
SWARM A20 Welding Helmet	0700102010

Delivery includes: Full helmet assembly.

Spare Parts		
5	SWARM A20 Auto Darkening Filter (ADF)	0700102002
4	SWARM A10 / A20 ADF Retainer	0700102003
1	SWARM A10 / A20 / A30 Front Cover Lens 5 PCS	0700102004
6	SWARM A10 / A20 Inner Cover Lens 5 PCS	0700102008
9	SWARM A10 / A20 Headgear	0700102005
2	SWARM A20 Shell (PA)	0700102007



ESAB / esab.com

