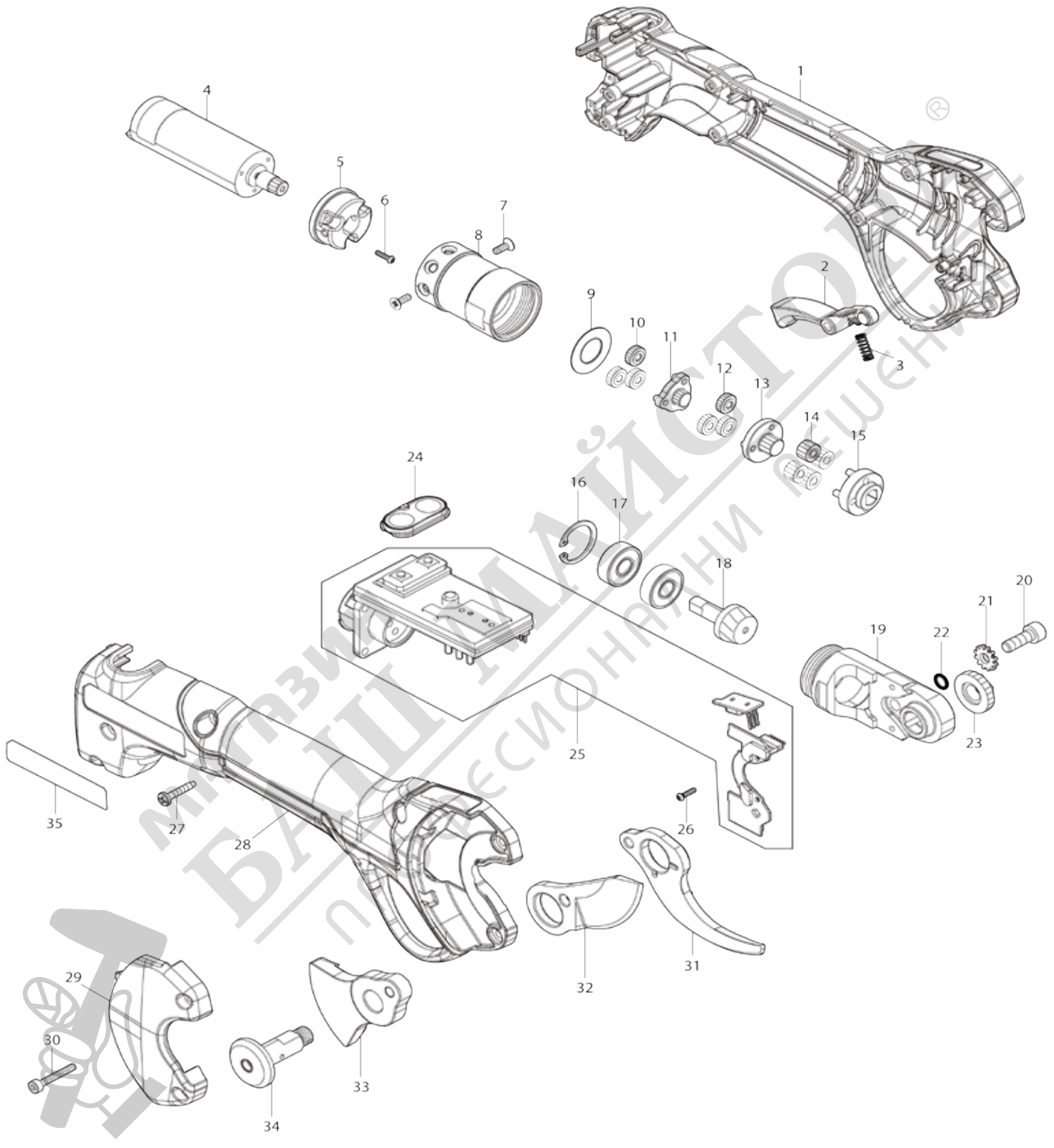


Model No.DUP180 BATTERY POWERED PRUNING SHEARS



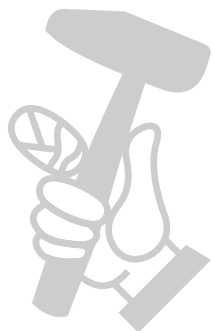
Model No.DUP180 BATTERY POWERED PRUNING SHEARS

| Item No. | Parts No. | Description | Interchangeability | Q'ty | New/Old | Note1 | Note2 |
|----------|-----------|---------------------------------|--------------------|------|---------|-------|-------|
| 001 | 1830B4-2 | Housing set | | 1 | * | | |
| C10 | 8065E6-9 | Indication label | | 1 | * | | |
| C20 | 8065E7-7 | Indication label | | 1 | * | | |
| 001 | | INC. 28 | | | * | | |
| 001-1 | 1830B4-2 | Housing set | O | 1 | | | |
| C10 | 8065E6-9 | Indication label | | 1 | | | |
| C20 | 8065E7-7 | Indication label | | 1 | | | |
| 001-1 | | INC. 28 | | | | | |
| 002 | 141S58-5 | Trigger complete | | 1 | | | |
| 003 | 232765-8 | Compression spring 3 | | 1 | | | |
| 004 | 629C35-6 | DC motor | | 1 | | | |
| 005 | 312D98-2 | Motor holder | | 1 | | | |
| 006 | 265D05-3 | Pan head screw M2X8 | | 3 | | | |
| 007 | 912007-3 | Countersunk head screw M3X8 | | 2 | | | |
| 008 | 227A61-3 | Internal gear 43 | | 1 | | | |
| 009 | 253084-9 | Flat washer 12 | | 1 | | | |
| 010 | 227A62-1 | Spur gear 15 | | 3 | | | |
| 011 | 141S56-9 | Spur gear 11 B complete | | 1 | | | |
| 012 | 227A62-1 | Spur gear 15 | | 3 | | | |
| 013 | 141S57-7 | Spur gear 13 complete | | 1 | | | |
| 014 | 227A63-9 | Spur gear 14 | | 4 | | | |
| 015 | 162C31-6 | Supporter complete | | 1 | | | |
| 016 | 962059-4 | Retaining ring (INT) R-19 | | 1 | | | |
| 017 | 210017-7 | Ball bearing 607DDW | | 2 | | | |
| 018 | 227B18-0 | Zerol bevel gear 9 | | 1 | * | | |
| 018-1 | 227C40-3 | ZEROL BEVEL GEAR 9 | S | 1 | | | |
| 019 | 327C47-0 | Gear housing | | 1 | | | |
| 020 | 265D07-9 | Hex. socket head bolt M5X14 | | 1 | | | |
| 021 | 253578-4 | Lock plate | | 1 | | | |
| 022 | 213021-5 | O-ring 5 | | 1 | | | |
| 023 | 252321-8 | Hex. nut M8 | | 1 | | | |
| 024 | 162C34-0 | Switch plate complete | | 1 | | | |
| 025 | 620K68-2 | Controller | | 1 | | | |
| 026 | 265D05-3 | Pan head screw M2X8 | | 2 | | | |
| 027 | 266130-9 | Binding head tapping screw 3X16 | | 6 | | | |
| 028 | 1830B4-2 | Housing set | | 1 | * | | |
| C10 | 8065E6-9 | Indication label | | 1 | * | | |
| C20 | 8065E7-7 | Indication label | | 1 | * | | |
| 028 | | INC. 1 | | | * | | |
| 028-1 | 1830B4-2 | Housing set | O | 1 | | | |
| C10 | 8065E6-9 | Indication label | | 1 | | | |
| C20 | 8065E7-7 | Indication label | | 1 | | | |
| 028-1 | | INC. 1 | | | | | |
| 029 | 141S63-2 | Housing cover complete | | 1 | * | | |
| C10 | 8065E8-5 | Caution label | | 1 | * | | |
| 029-1 | 141S62-4 | Housing cover complete | O | 1 | * | | |
| C10 | 8065E8-5 | Caution label | | 1 | * | | |

| | | | | | | |
|-------|-----------|---------------------------------|---|---|---|--|
| 029-2 | 1410T0-2 | Housing cover complete | < | 1 | | |
| C10 | 8065E8-5 | Caution label | | 1 | | |
| 030 | 265633-0 | Hex. socket head bolt M3X20 | | 2 | | |
| 031 | 1913P3-6 | Shear blade L set | | 1 | | |
| 032 | 1913P4-4 | Shear blade U set | | 1 | | |
| 033 | 141S59-3 | Blade holder complete | | 1 | * | |
| 033-1 | 1412C4-7 | BLADE HOLDER COMPLETE | S | 1 | | |
| 034 | 162C35-8 | Shoulder screw M8 complete | | 1 | | |
| 035 | 8142L8-2 | Name plate DUP180 | | 1 | | |
| A01 | 782212-4 | Box wrench 13 | | 1 | | |
| A02 | 783202-0 | Hex. wrench 4 | | 1 | | |
| A03 | 783208-8 | Hex. wrench 2.5 | | 1 | | |
| A04 | 162C23-5 | Holster | | 1 | | |
| A05 | 1912E4-1 | Dressing stone set | | 1 | | |
| A06 | 182470-6 | Oil vessel | | 1 | | |
| A07 | 630E23-0 | Battery adapter | | 1 | | |
| A08B | ***DC18WC | DC18WC BATTERY CHARGER | | 1 | | |
| A08B | | COMPO-PARTS | | | | |
| A09B | 197280-8 | Battery BL1850B set | | 1 | | |
| A10B | 821551-8 | Connector plastic case (type 3) | | 1 | | |
| C10 | 453974-8 | Latch | | 4 | | |
| A11B | 8357T6-9 | Inner tray | | 1 | | |
| A12B | 450128-8 | Battery cover | | 1 | | |
| F02 | 1913P3-6 | Shear blade L set | | 1 | | |
| F03 | 1913P4-4 | Shear blade U set | | 1 | | |
| F04 | 1916B3-6 | Long handle attachment set | | 1 | * | |
| F04-1 | 1916B3-6 | Long handle attachment set | < | 1 | | |
| C10 | 8095H2-7 | Caution label | | 1 | | |

Please state Parts No. when your order.

Print Date 12/15/2025



МАГАЗИН МАШИН И ИНСТРУМЕНТОВ
 БАШ ПРОФЕССИОНАЛЬНЫЕ РЕШЕНИЯ