

DEWALT®

МАГАЗИН
БАШ МАЙСТОР
ПРОФЕСИОНАЛНИ РЕШЕНИЯ



English (*original instructions*) 2

Русский (*перевод с оригинала инструкции*) 7

Українська (*переклад з оригінальної інструкції*) 15



МАГАЗИН
БАШ МАЙСТОРА[®]
ПРОФЕСІОНАЛНИ РЕШЕННЯ

Fig. A

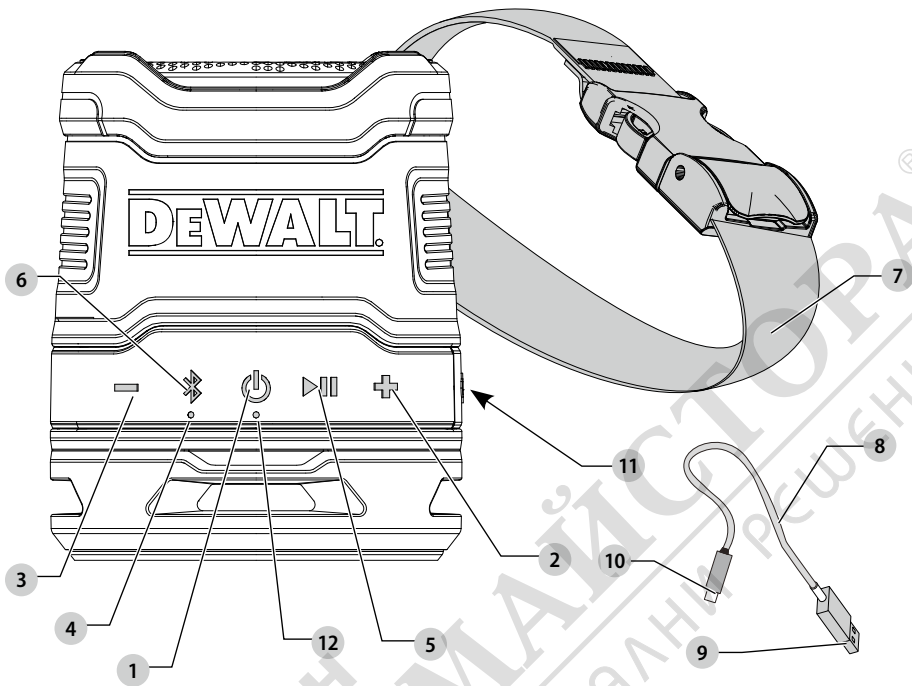
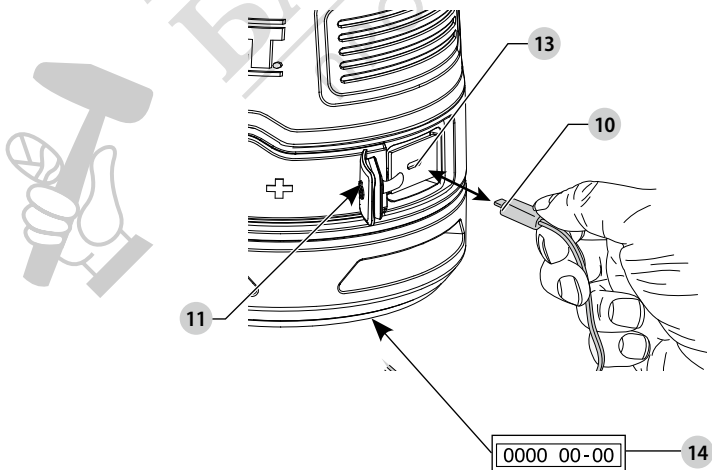


Fig. B



RECHARGEABLE MINI BLUETOOTH® SPEAKER

DCR009

Congratulations!

You have chosen a DeWALT tool. Years of experience, thorough product development and innovation make DeWALT one of the most reliable partners for professional power tool users.

Technical Data

		DCR009
Type		1
Voltage	V _{DC}	3.7
Charging rate		5V,1A
Weight	kg	0.3
Operation time when fully charged		8 hours 16 hours (at 50% volume)
Sound power (class D)	W	5
Sound SPL		83 dB @ 1 m
Audio source		Bluetooth



WARNING: To reduce the risk of injury, read the instruction manual.

Definitions: Safety Guidelines

The definitions below describe the level of severity for each signal word. Please read the manual and pay attention to these symbols.



DANGER: Indicates an imminently hazardous situation which, if not avoided, **will** result in **death or serious injury**.



WARNING: Indicates a potentially hazardous situation which, if not avoided, **could** result in **death or serious injury**.



CAUTION: Indicates a potentially hazardous situation which, if not avoided, **may** result in **minor or moderate injury**.

NOTICE: Indicates a practice **not related to personal injury** which, if not avoided, **may** result in **property damage**.



DENOTES RISK OF ELECTRIC SHOCK.



DENOTES RISK OF FIRE.

EU-Declaration of Conformity

Radio Equipment Directive



Bluetooth® Speaker DCR009

DeWALT hereby declares that the DCR009 is in compliance with the Directive 2014/53/EU and to all applicable EU directive requirements.

The full text of the EU declaration of conformity can be requested at DeWALT, Richard-Klinger-Straße 11, D-65510, Idstein, Germany or is available at the following internet address: www.2helpu.com.

Search by the Product and Type Number indicated on the nameplate.

DECLARATION OF CONFORMITY RADIO EQUIPMENT REGULATION 2017



Bluetooth® Speaker DCR009

DeWALT hereby declares that the DCR009 is in compliance with the Radio Equipment Regulation 2017, S.I.2017/1206 (as amended), and to all applicable EU directive requirements.

The full text of the UKCA declaration of conformity can be requested at DeWALT, Richard-Klinger-Straße 11, D-65510, Idstein, Germany or is available at the following internet address: www.2helpu.com.

Search by the Product and Type Number indicated on the nameplate.

IMPORTANT SAFETY INSTRUCTIONS



WARNING:

- Read these instructions.
- Keep these instructions.
- Heed all warnings.
- Follow all instructions.
- Do not use this apparatus near water.
- Clean only with a dry cloth.
- Do not block any ventilation openings. Use in accordance with the manufacturer's instructions.
- Do not use near any heat sources such as radiators, heat registers, stoves or other apparatus (including amplifiers) that produce heat.
- Protect the charging cord from being walked on or pinched particularly at plugs, convenience receptacles, and the point where they exit from the apparatus.
- Only use attachments/accessories specified by the manufacturer.
- Unplug this apparatus during lightning storms or when unused for long periods of time.

- l) Never modify the apparatus or attempt to open the housing. Damage or personal injury could result.
- m) Refer all servicing to qualified service personnel. Servicing is required when the apparatus has been damaged in any way, such as charging cord or plug is damaged, liquid has been spilled or objects have fallen into the apparatus, the apparatus has been exposed to rain or moisture, does not operate normally, or has been dropped.
- n) Apparatus shall not be exposed to dripping or splashing and no objects filled with liquids, such as vases, shall be placed on the apparatus.
- o) Do not use under wet conditions or in presence of flammable liquids or gases.
- p) Do not charge the unit outdoors.

Safety Instructions for Speakers

- To reduce the risk of fire or electric shock, do not expose this apparatus to rain or moisture. Always keep the charging port cover in place.
- Do not abuse charging cord. Never carry the speaker by its charging cord. Never pull the charging cord to disconnect from the charging port. Keep the charging cord away from heat, oil and sharp edges.
- Switch off before leaving speaker unattended, when speaker is not in use, before changing accessories or attachments, and before servicing.
- Place the speaker so that it cannot be knocked over unintentionally and so that it and any cables do not create a tripping hazard.
- This appliance is not intended for use by persons (including children) with reduced physical, sensory or mental capabilities, or lack of experience and knowledge, unless they have been given supervision or instruction concerning use of the appliance by a person responsible for their safety.
- Children should be supervised to ensure that they do not play with the appliance.
- No exposed flame sources, such as lighted candles, should be placed on or near the speaker.
- To reduce the risk of hearing damage, do not place ears too close to the speaker.
- Before using, always secure the speaker in vehicles, on unstable surfaces or undersized mounts. The speaker could fall or drop and could cause personal injury or property damage.




**SAVE THESE INSTRUCTIONS FOR
FUTURE USE**

BATTERIES

The product is not fully charged out of the carton. Before using the product, read the safety instructions below and then follow the charging procedures outlined.

NOTE: If the product is unused for approximately 90 days, fully charge the battery to help prolong the life of the battery.

Important Safety Instructions for All Integral Battery Charging

-  **WARNING:** Read all safety warnings, instructions, and cautionary markings for the battery, charging cable and product. Failure to follow the warnings and instructions may result in electric shock, fire and/or serious injury.
-  **WARNING:** Only charge product using a Listed Class 2 USB power adapter that is compliant with applicable country regulations and international/regional safety standards. Using adapters that do not meet applicable safety standards could result in injury.
-  **WARNING:** Observe the safety instructions of the charger being used to charge your device.
- Only use the charging cable supplied by the manufacturer for charging.
- The provided charging cable is not intended for any uses other than charging DeWALT rechargeable tools with charging ports. Charging other types of tools may cause their batteries to overheat and burst, resulting in personal injury, property damage, fire, electric shock or electrocution.
- **DO NOT** expose charger and charging cable to water, rain or snow.
- Pull by the plugs rather than the cord when disconnecting the charging cable. This will reduce the risk of damage to the plugs and cord.
- Make sure that the cord is located so that it will not be stepped on, tripped over or otherwise subjected to damage or stress.
- **DO NOT** use a charging cable with a damaged cord or plugs. Have them replaced immediately.
- Foreign materials of a conductive nature, such as, but not limited to, grinding dust, metal chips, steel wool, aluminum foil or any buildup of metallic particles should be kept away from the charging plugs and port.
- Always unplug the charging cable from the power supply when there is no tool attached to it.
- Leaks from battery cells can occur under extreme conditions. If the liquid, which is a 20-35% solution of potassium hydroxide, gets on the skin (1) wash quickly with soap and water or (2) neutralize with a mild acid such as lemon juice or vinegar. If the liquid gets into the eyes, flush them immediately with clean water for a minimum of 10 minutes. Seek medical attention.
- **Do not expose a battery to fire or excessive temperature.** Exposure to fire or temperature above 130 °C (266 °F) may cause explosion.
- This product should be powered by certified power supply with SELV output (constant voltage 5 Vdc).



Keep clear of magnets.



Magnetic hazard can disturb pacemaker operation and result in serious injury or death.

Charging Procedure (Fig. A, B)

1. Pull the USB charging port cover **11** away from the speaker.
2. Insert the USB charging plug **10** into the charging port **13**.
3. Plug the USB charger plug **9** into any USB charging port (such as on a computer or wall adapter).
NOTE: Charging takes two hours depending on power supply rating (5V, 1A).
4. The charge indicator LED **12** color will be either red, yellow or green and remain continuously ON while charging.
5. Charging is complete when the charge indicator LED **12** color is green or turns off.
6. The battery can be left charging or the USB charging cable can be disconnected.
7. Disconnect the charging cable and install the charging port cover over the charging port.

Hot/Cold Delay

When the speaker detects that the battery is too hot or too cold, it automatically starts a hot/cold delay, suspending charging until the battery has reached an appropriate temperature. The speaker then automatically switches to charging mode. This feature ensures maximum battery life.

1. A cold battery may charge at a slower rate than a warm battery.
2. During a hot/cold delay the charge indicator LED **12** will not illuminate. Charging will not activate until the battery temperature reaches between 4 °C and 40 °C (40 °F and 104 °F).
3. Once the battery has reached an appropriate temperature, the charge indicator LED **12** will continuously blink, indicating that the speaker has resumed the charging procedure.

Important Charging Notes

1. The speaker may become warm to the touch while charging. This is a normal condition, and does not indicate a problem. To facilitate the cooling of the speaker after use, avoid placing the speaker in a warm environment such as in a metal shed or an uninsulated trailer.
2. If the speaker does not charge properly, take the speaker and USB cable to your local service center.
3. You may charge a partially used battery whenever you desire with no adverse effect on the speaker.

Over Temperature Protection (Fig. A)

When over temperature protection is activated, the charge indicator LED **12** will turn off.

NOTE: The unit can still be used during over the temperature protection cycle.

Checking State of Charge (Fig. A)

- When the speaker is powered ON, press the power button **1** and the speaker will tell you the percentage of charge remaining in the battery.

NOTE: It does not indicate tool functionality and is subject to variation based on product components, temperature and end-user application.

Charge Indicator LED Status

	LEVEL OF CHARGE	CHARGE INDICATOR LED COLOR
UNIT ON AND NOT CHARGING	≥40%	Green
	20% - 40%	Yellow
	≤20%	Red and blinking. If 3% or less of charge remains, the speaker will say "Battery low, please recharge."
UNIT OFF AND CHARGING	0% - 99%	Red
	100%	No illumination
UNIT ON AND CHARGING	0% - 99%	Red
	100%	Green

Package Contents

The package contains:

- 1 Speaker
 - 1 Charging cable
 - 1 Instruction manual
- Check for damage to the speaker, parts or accessories which may have occurred during transport.
 - Take the time to thoroughly read and understand this manual prior to operation.

Markings on Tool

The following pictograms are shown on the tool:



Read instruction manual before use.



Waste electrical and electronic equipment: Separate Collection.

Date Code Position (Fig. B)

The production date code **14** consists of a 4-digit year followed by a 2-digit week and is extended by a 2-digit factory code.

Description (Fig. A, B)



WARNING: Never modify the speaker or any part of it. Damage or personal injury could result.

- 1 Power button
- 2 Volume up button
- 3 Volume down button
- 4 Bluetooth*** status indicator LED
- 5 Play/Pause button
- 6 Bluetooth*** button
- 7 Carry strap
- 8 USB charging cable
- 9 USB charger plug
- 10 USB charging plug
- 11 USB charging port cover
- 12 Charge indicator LED

Intended Use

This DEWALT Bluetooth® speaker is designed to play/stream audio via a wireless Bluetooth® connection to a mobile phone or other audio device. Use the speaker exclusively as described in this instruction manual. Any other use is considered improper intended use and can lead to damage to property or even personal injury.

DO NOT use under wet conditions or in the presence of flammable liquids or gases.

Do Not let children come into contact with the unit. Supervision is required when inexperienced operators use this speaker.

- **Young children and the infirm.** This speaker is not intended for use by young children or infirm persons without supervision.
- This speaker is not intended for use by persons (including children) suffering from diminished physical, sensory or mental abilities; lack of experience, knowledge or skills unless they are supervised by a person responsible for their safety. Children should never be left alone with this speaker.

OPERATION

Button Functions (Fig. A)

Power Button

- To turn the speaker on or off, press and hold the power button **1** until you hear a sequence of tones from the speaker.
- When the speaker is on, momentarily press the power button **1** and the speaker will say the percentage of charge remaining in the battery.
- If the speaker does not respond when buttons are pressed, press and hold the power button **1** for ten seconds to reboot the speaker.

Play/Pause Button

When audio device connected via Bluetooth®: Press the play/pause button **5** to begin playing a selection from the audio device.

- Press the play/pause button **5** again to pause play. Press again to resume play.
- To advance to the next track, press the play/pause button **5** twice quickly.
- To skip to previous track, press the play/pause button **5** three times quickly.

Volume Adjustment Buttons

The volume buttons **2, 3** can be used to increase or decrease volume on the speaker.

- The volume will increase or decrease one level with a quick press of either volume buttons **2, 3**.
- The volume will increase continuously with a long press of either volume buttons **2, 3**.

Playing Audio

Audio can be played through the speaker via a wireless Bluetooth® connection to a compatible Bluetooth® audio device.

Pairing Speaker with a Bluetooth® Audio Device (Fig. A)

1. Place the speaker and the Bluetooth® audio device within 3 ft. (1 m) of each other.
2. Turn on the speaker by pressing and holding the power button **1** until you hear a sequence of tones. The Bluetooth® status indicator LED **4** will continuously single blink.
3. Be sure the Bluetooth® audio device has Bluetooth® turned on. (Please consult your device's instruction manual for specific pairing instructions.)
4. Press the Bluetooth® button **6** on the speaker.
5. The blue Bluetooth® status indicator LED **4** will continuously double blink and you will hear tones from the speaker indicating the speaker is in pair mode.
6. Select **DEWALT DCR009** on your device and confirm pairing.
7. Once pairing is successful, the Bluetooth® status indicator LED **4** will remain illuminated blue and you will hear a tone from the speaker.
8. The speaker will now play audio from your device.

NOTE: Audio output power: 1x5W.

Bluetooth® Status Indicator LED

Blink Patterns	Status/Mode
Continuously Single Blinks	Speaker Bluetooth® is on.
Continuously Double Blinks	Speaker is in pairing mode and discoverable by your device.
Solid light	Speaker is connected with a device.
No light	Speaker has timed out and/or is off.

Connecting a Previously Paired Bluetooth® Audio Device

If a Bluetooth® device has been previously paired to the speaker, it should automatically reconnect when the speaker is powered on.

NOTE: The Bluetooth® audio device must have Bluetooth® turned on to automatically pair.

1. If connection does not occur and you are unable to stream audio, please follow the instructions for **Pairing Speaker with a Bluetooth® Audio Device**.

Stereo Pairing with Two Speakers

1. On both speakers, simultaneously press and hold the Bluetooth® button **6** for three seconds.
2. Speakers will say "left channel" or "right channel" to indicate that pairing was successful.
3. The Bluetooth® status indicator LED **4** will be blue on the left channel speaker and the Bluetooth® status indicator LED **4** will not be illuminated on right channel speaker.

Timeout Functionality (Fig. A)

To conserve battery life, the speaker is designed to power off automatically after fifteen minutes of inactivity. This inactivity could be due to the device being unpaired for fifteen minutes or the Bluetooth® connection being broken for the same period of time. If the speaker powers off due to inactivity of any kind, refer to **Connecting a Previously Paired Bluetooth® Audio Device**.

Bluetooth® Range

Optimum Bluetooth® streaming range is roughly 30 ft. (9 m) with a straight line of sight to the speaker, but distances up to 100 ft. (30 m) are possible. Physical obstacles, other wireless devices or electromagnetic devices may affect the connection quality.

- If Bluetooth® connection is lost due to exceeding time of separation, exceeding the optimum distance, obstacles or otherwise, reconnecting your device with the speaker may be necessary.

Incoming Call

- If your phone receives a call while it is connected to the speaker, it will pause the Bluetooth® connection.
- When the call is disconnected, the speaker will automatically switch back to the Bluetooth® connection.

MAINTENANCE

Your DEWALT power tool has been designed to operate over a long period of time with a minimum of maintenance. Continuous satisfactory operation depends upon proper tool care and regular cleaning.

Cleaning



WARNING: Never use solvents or other harsh chemicals for cleaning the non-metallic parts of the tool. These chemicals may weaken the plastic materials used in these parts. Use a dry cloth only. Never let any liquid get inside the tool; never immerse any part of the tool into a liquid.

To help reduce the risk of electric shock disconnect the charging cable and install the charging port cover over the charging port before cleaning.

Storage

1. **Store the speaker in a cool, dry place away from direct sunlight and excessive heat or cold.** To ensure optimal performance and battery life, store the speaker at room temperature when not in use.
2. **During prolonged storage, it is recommended to fully charge the battery.** Deep discharge during prolonged storage will damage the battery cells.

Optional Accessories



WARNING: Since accessories, other than those offered by DEWALT, have not been tested with this product, use of such accessories with this tool could be hazardous. To reduce the risk of injury, only DEWALT-recommended accessories should be used with this product.

Consult your dealer for further information on the appropriate accessories.

Protecting the Environment



Separate collection. Products and batteries marked with this symbol must not be disposed of with normal household waste.

Products and batteries contain materials that can be recovered or recycled, reducing the demand for raw materials. Please recycle electrical products and batteries according to local provisions. Further information is available at www.2helpU.com.

Rechargeable Battery Pack

This long-life battery pack must be recharged when it fails to produce sufficient power on jobs that were easily done before. At the end of its technical life, discard it with due care for our environment:

- Run the battery pack down completely, then remove it from the tool.
- Li-Ion cells are recyclable. Take them to your dealer or a local recycling station. The collected battery packs will be recycled or disposed of properly.

NOTE: The Bluetooth® word mark and logos are registered trademarks owned by the Bluetooth® SIG, Inc. and any use of such marks by DEWALT is under license.