

Product Information

28 71 280

Long Reach Needle Nose Pliers

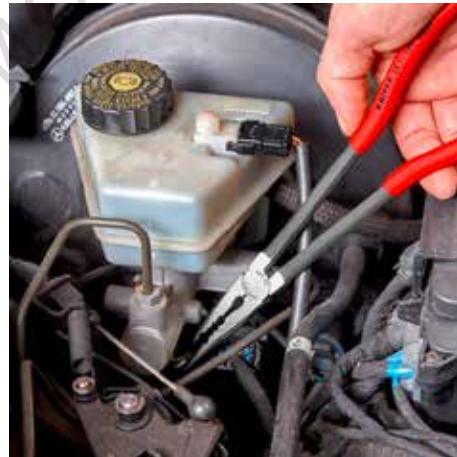
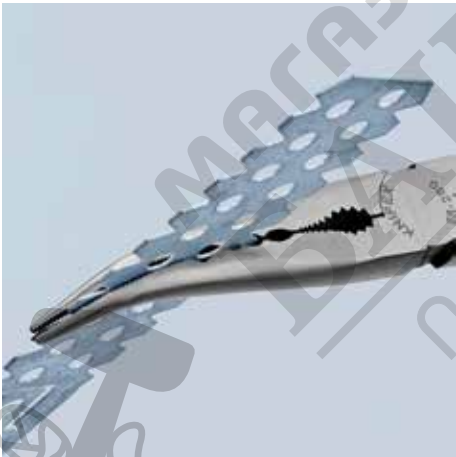
With transverse profiles

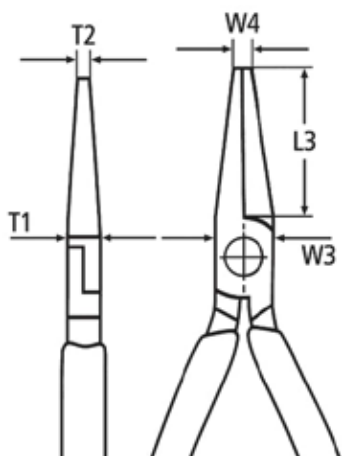
- For gripping, adjustment and assembly work in hard to reach areas thanks to slim, very long design
- Careful yet reliable gripping, holding and guiding of small copper pipes, screws and cables as well as other round parts thanks to milled grooves with smooth surfaces
- Serrated pipe grip to grip round parts
- Particularly suitable for work in the automotive trade and in mechanical engineering
- Slim yet robust tool



General	
Article No.	28 71 280
EAN	4003773079415
Pliers	black atramentized
Head	polished
Handles	plastic coated
Weight	235 g
Dimensions	280 x 55 x 14 mm
Standard	DIN ISO 5745
REACH compliant	does not contain SVHC
RoHS compliant	not applicable
Technical details	
Jaw thickness (joint) (T1)	9.0 mm
Tips width (W4)	3.0 mm
Tips thickness (T2)	2.5 mm
Jaw length (L3)	76.5 mm
Head width (W3)	20.0 mm

Technical changes and errors excepted





МАГАЗИН
БАШ МАЙСТОРА[®]
ПРОФЕСИОНАЛНИ РЕШЕНИЯ

