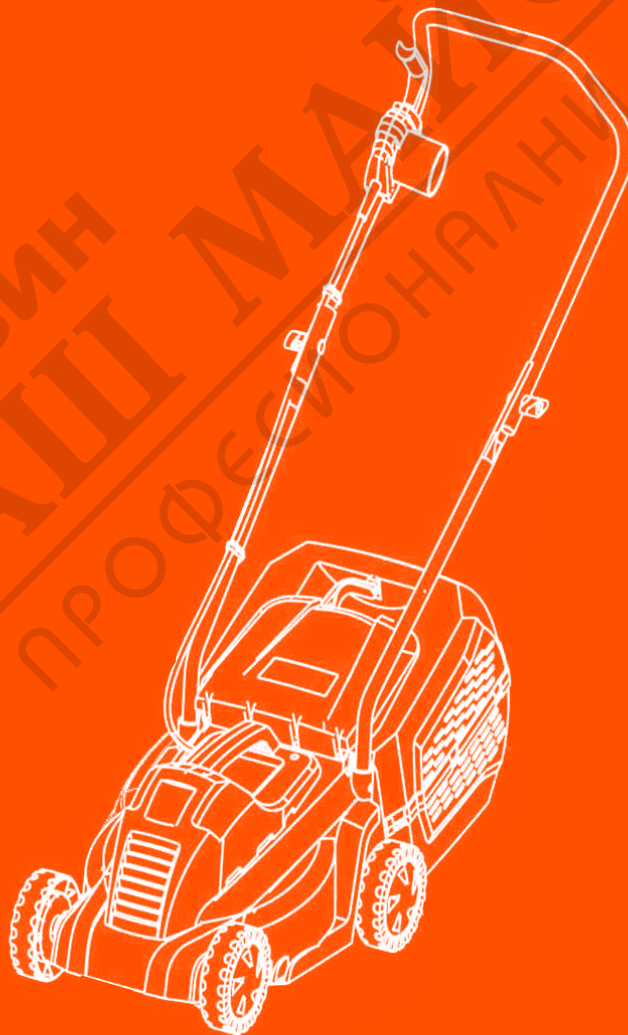




DAEWOO
POWER PRODUCTS

DLM SERIES

ELECTRIC LAWN MOWERS



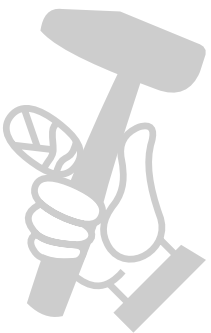
MANUAL DE USO

www.daewoopowerproducts.com

Fabricado bajo licencia de Daewoo International Corporation, Korea

INDEX

1. SAFETY INSTRUCTIONS	2
2. ASSEMBLY INSTRUCTIONS	5
3. OPERATING	7
4. MAINTENANCE	9
5. TECHNICAL SPECIFICATIONS	9
WARRANTY	10



МАГАЗИН
БАШ МАЙСТОРА[®]
ПРОФЕСИОНАЛНИ РЕШЕНИЯ

1. SAFETY INSTRUCTIONS

GENERAL SAFETY INSTRUCTIONS

WARNING! Read all instructions failure to follow all instructions listed below may result in electric shock, fire and /or serious injury. The term “power tool” in all of the warnings listed below refers to your mains operated (corded) power tools or battery operated (cordless) power tool.

SAVE THESE INSTRUCTIONS

1) WORK AREA

- a) Keep the work area clean and well lit. Cluttered and dark areas invite accidents.
- b) Do not operate power tools in explosive atmospheres, such as in the presence of flammable liquids, gases or dust. Power tools create sparks, which may ignite the dust or fumes.
- c) Keep children and bystanders away while operating a power tool. Distractions can cause you to lose control.

2) ELECTRICAL SAFETY

- a) Power tool plugs must match the outlet. Never modify the plug in any way. Do not use any adapter plugs with earthed (grounded) power tools. Unmodified plugs and matching outlets will reduce risk of electric shock.
- b) Avoid body contact with earthed or grounded surfaces such as pipes, radiators, ranges and refrigerators. There is an increased risk of electric shock if your body is earthed or grounded.
- c) Do not expose power tools to rain or wet conditions. Water entering a power tool will increase the risk of electric shock.
- d) Do not abuse the cord. Never use the cord for carrying, pulling or unplugging the power tool. Keep the cord away from heat, oil and sharp edges or moving parts. Damaged or entangled cords increase the risk of electric shock.
- e) When operating a power tool outdoors, use an extension cord suitable for outdoor use. Use of a cord suitable for outdoor use reduces the risk of electric shock.

3) PERSONAL SAFETY

- a) Stay alert. Watch what you are doing and use common sense when operating a power tool. Do not operate tool when you are tired or under the influence of drugs, alcohol or medication. A moment of inattention while operating power tools may result in serious personal injury.
- b) Use safety equipment. Always wear eye protection. Safety equipment such as dust mask, non-skid safety shoes, hard hat, or hearing protection used for appropriate conditions will reduce personal injuries.
- c) Avoid accidental starting. Ensure the switch is in the off position before plugging in. Carrying power tools with your finger on the switch or plugging in power tools that have the switch on invites accidents.
- d) Remove any adjusting key or wrench before turning the power tool on. A wrench or a key left attached to a rotating part of the power tool may result in personal injury.
- e) Do not overreach. Keep proper footing and balance at all times. This enables better control of the power tool in unexpected situations.
- f) Dress properly. Do not wear loose clothing or jewellery; Keep your hair, clothing and gloves away from moving parts. Loose clothes, jewellery or long hair can be caught in moving parts.

4) POWER TOOL USE AND CARE

- a) Do not force the tool. Use the correct power tool for your application, The correct power tools will do the job better and safer at the rate for which it was designed.
- b) Do not use the power tool if the switch does not turn it on and off. Any power tool that cannot be controlled with the switch is dangerous and must be repaired.
- c) Disconnect the plug from the power source before making any adjustments, changing accessories, or storing power tools. Such preventive safety measures reduce the risk of starting the power tool accidentally.
- d) Store idle power tools out of the reach of children and do not allow persons unfamiliar with the

power tool or these instructions to operate the power tool. Power tools are dangerous in the hands of untrained users.

e) Maintain power tools, Check for misalignment or binding of moving parts, breakage of parts and any other condition that may affect the power tools operation. If damaged, have the power tool repaired before use. Many accidents are caused by poorly maintained power tools.

f) Keep cutting tools sharp and clean. Properly maintained cutting tools with sharp cutting edges are less likely to bind and are easier to control.

g) Use the power tool, accessories and tool bits etc., in accordance with these instructions and in the manner intended for particular type of power tool, taking into account the working conditions and the work to be performed. Use of the power tool for operations different from intended could result in a hazardous situation.

5) SERVICE

a) Have your power tool serviced by a qualified repair person using only identical replacement parts. This will ensure that the safety of the power tool is maintained.

ADDITIONAL SAFETY RULES FOR LAWN MOWER

Read the instructions carefully. Be familiar with the controls and the proper use of the appliance. Never allow children to use the appliance.

Never allow people unfamiliar with these instructions to use the appliance. Local regulations may restrict the age of the operator.

Never operate the appliance with people, especially children, or pets are nearby.

The operator or user is responsible for accidents or hazards occurring to other people or their property.

While operating the appliance, always wear substantial footwear and long trousers. Do not operate the appliance when barefoot or wearing open sandals.

Thoroughly inspect the area where the appliance is to be used and remove all stones, sticks, wires, bones, and other foreign objects.

Before using, always visually inspect to see that the rotating parts and cutter assembly are not worn or damaged. Replace worn or damaged parts in sets to preserve balance.

Operate the appliance only in daylight or in good artificial light. Avoid operating the appliance in wet grass, where feasible. Always be sure of your footing on slopes. Walk, never run. Always work across the face of slopes, never up and down.

Exercise extreme caution when reversing or pulling the appliance towards to you.

Do not operate the appliance on excessively steep slopes.

Use extreme caution when reversing or pulling appliance towards you.

Stop the rotating parts if appliance has to be tilted for transportation. Do not operate the cutting means when crossing surfaces other than grass, and when transporting the appliance to and from the working area.

Never operate the appliance with defective guards or shields, or without safety devices, for example deflectors and/or catchers in place.

Switch on the motor according to instructions and with feet well away from rotating parts.

Do not tilt appliance when switching on the motor, expect if the appliance has to be tilted for starting. In this case, do not tilt it more than absolutely necessary and lift only the part, which is away from the operator. Always ensure that both hands are in the operating position before returning the appliance to the ground. Do not put hands or feet near or under rotating parts.

Never pick up or carry an appliance while the motor is running.

Pull the plug from the socket:

- Whenever you leave the machine.
- Before clearing a blockage.
- After striking a foreign object. Inspect the appliance for damage and make repairs as necessary.
- If the appliance starts to vibrate abnormally, check immediately.

When the machine is at work in the thick bushes or runs into obstacles it can't cut down, the blade will be stalled so that the machine temperature and current will increase. When the temperature is too high or the current is too large, the overload protection device installed inside the machine will automatically shut off the power to stop the machine (main purpose is to protect motor and prolong motor life). At this moment, let go of the trigger and disconnect power supply of the machine, let the machine cool in some time (1~2 mins) and then restart switch, the machine can rework.

Symbols

The rating plate on your tool may show symbols. These represent important information about the product or instructions on its use



Waste electrical products should not be disposed of with household waste. Please recycle where facilities exist. Check with your Local Authority or retailer for recycling advice.



Denotes risk of personal injury, loss of life, or damage to the tool in case of non-ob servance



Use eye protection
Use ear protection



Conforms to all regulatory standards in the country in the EU where the products is purchased



Wear sturdy, non-slip footwear



Read the user manual



Use protective gloves



Do not expose to rain



Keep children at a distance of no less than 10m from the work area



Debris may be ejected from the discharge chute



The tines will continue to rotate for a short while after the rake has been switched off. Do not pick up or carry the rake until the tines has stopped rotating



This product is double insulated electrically



The tines will continue to rotate for a short while after the rake has been switched off. Do not pick up or carry the rake until the tines has stopped rotating



Disconnect from mains power immediately if the power cord becomes damaged.



Beware of sharp blades. Blades continue to rotate after the motor is switched off. Remove plug from mains before maintenance or if cord is damaged.

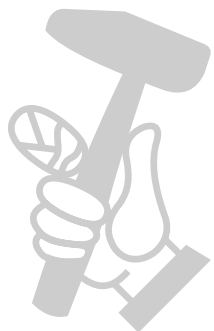
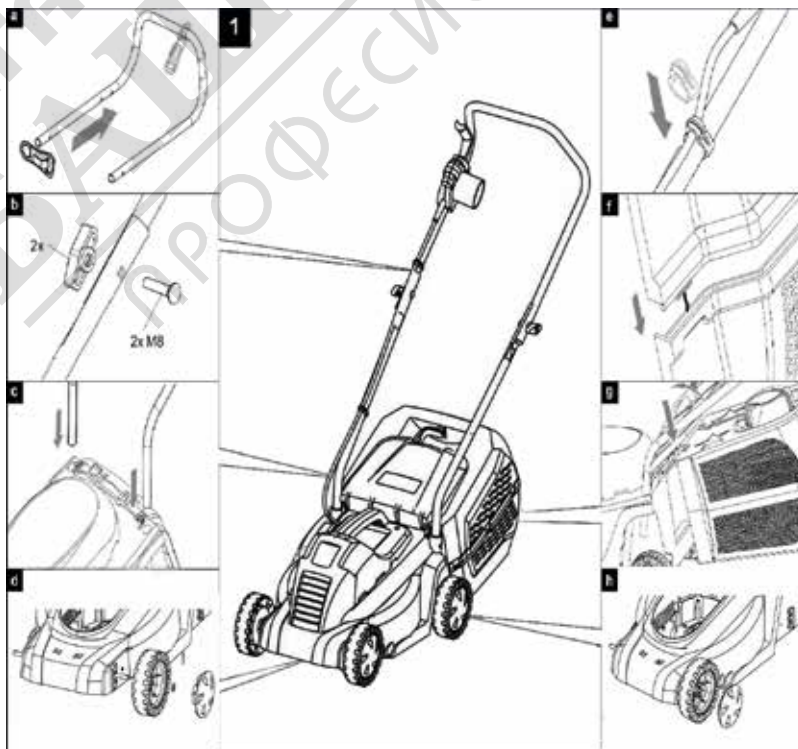


Keep supply flexible cord away from cutting mains

2.ASSEMBLY INSTRUCTIONS

Preparation:

1. Put the cable hook on upper handle.(Fig.1a)
2. Connect upper and lower handles with supplied screws and knobs.(Fig.1b)
3. Insert the handles into the mower body.(Fig.1c)
4. Fit each wheels over the axles, secure in place with the "R" pins (Fig.1d)
5. Fix the cable holders.(Fig.1e)
6. Grass collecton box assembly. Assemble two halves and fix them together.(Fig.1f)
7. Lift the flap and place the grass box over the lugs.(Fig.1g)
8. Press the wheel covers into place. (Fig.1h)



CUTTING HEIGHT ADJUSTMENT

To obtain the desired cutting height, the front and rear axles are repositioned on the underside of the mower housing.

Warning! Disconnect the mower from the power supply and ensure the blade has stopped coasting before adjusting the height.

1. To adjust the front wheel cutting height position (fig. 2a)

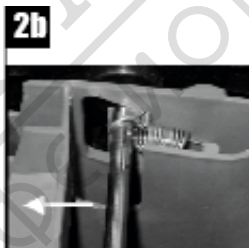
- 1) Turn the mower upside down.
- 2) Pull the wheel axle towards the front of the mower.
- 3) Locate the wheel axle into the desired cutting height adjustment position.



Note: Make sure that both front right and left wheels are located in the same cutting height adjustment position.

2. To adjust the rear wheel cutting height position (fig. 2b)

- 1) Turn the mower on its side.
- 2) Pull the rear wheel axle towards the mower's catcher flap.
- 3) Locate the wheel axle into the desire cutting height adjustment position.



Note: Make sure that both rear right and left wheel are located in the same cutting height adjustment position.

3. Cutting height positions (fig.2c)

- 1) 25mm (lowest cutting height position)
- 2) 40mm
- 3) 55mm(highest cutting height position)



3. OPERATING

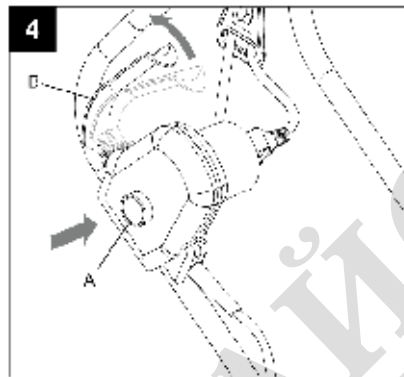
Connect to power supply

Warning! Before connecting to the mains supply, always check the switch is in off position. Connect the plug into the RCD protected power supply.

Starting

On/Off switch fig.3)

Caution! Do not start the mower if it is standing in long grass. Press the safety button (A) of the switch assembly and then pull the switch lever (B) against the bar. Keep the switch lever held whilst releasing the safety button. To stop the mower release the switch lever and it automatically returns to its off position.

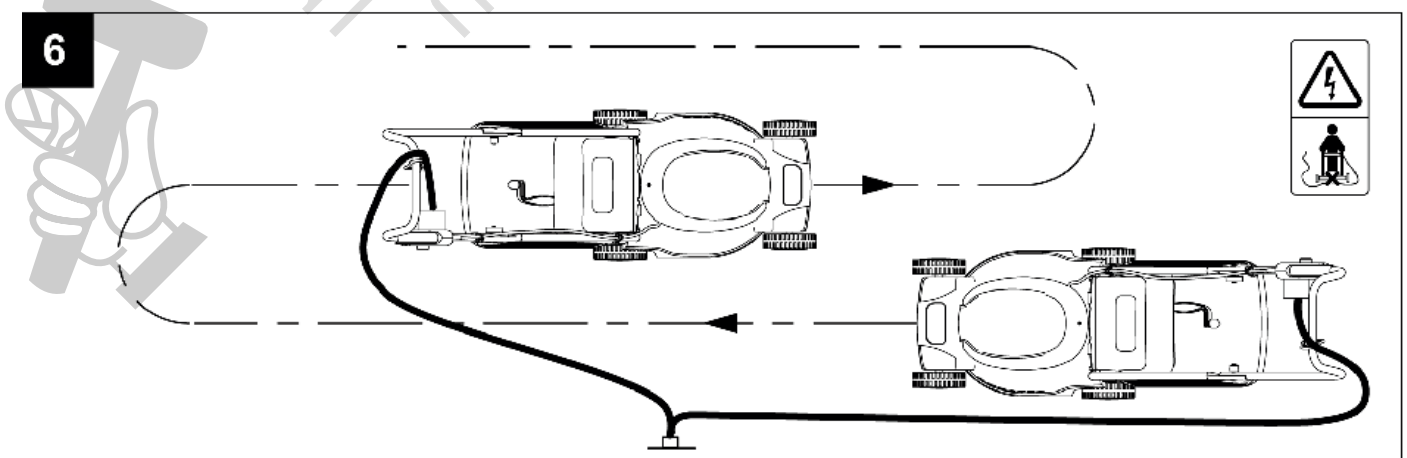


Mowing (fig.4)

We recommend to use your mower as outlined in this section in order to achieve optimum results and to reduce the risk of cutting the mains cable.

- Place the bulk of the mains cable on the close to the starting point.
- Switch the mower on as described above.
- Proceed as shown in fig.4
- Move from position 1 to position 2
- Turn right and proceed towards position 3
- Turn left and move towards position 4
- Repeat the above procedures as required.

Warning! Do not work towards the cable.



Blade maintenance(fig.5)

- Regularly remove grass and dirt from the blade.
- At the beginning of the gardening season, carefully examine the condition of the blade.
- If the blade is very blunt, sharpen or replace the blade.
- If the blade is damaged or worn, fit a new blade.

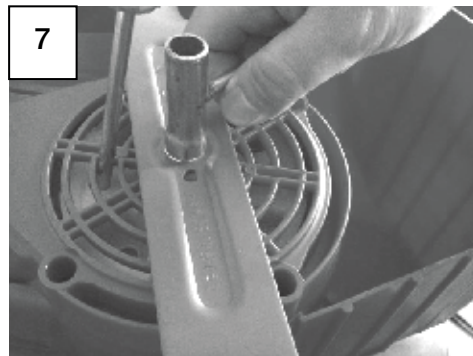
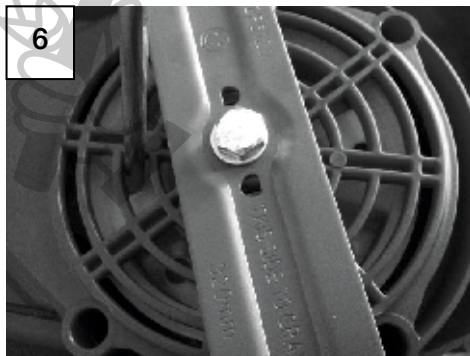
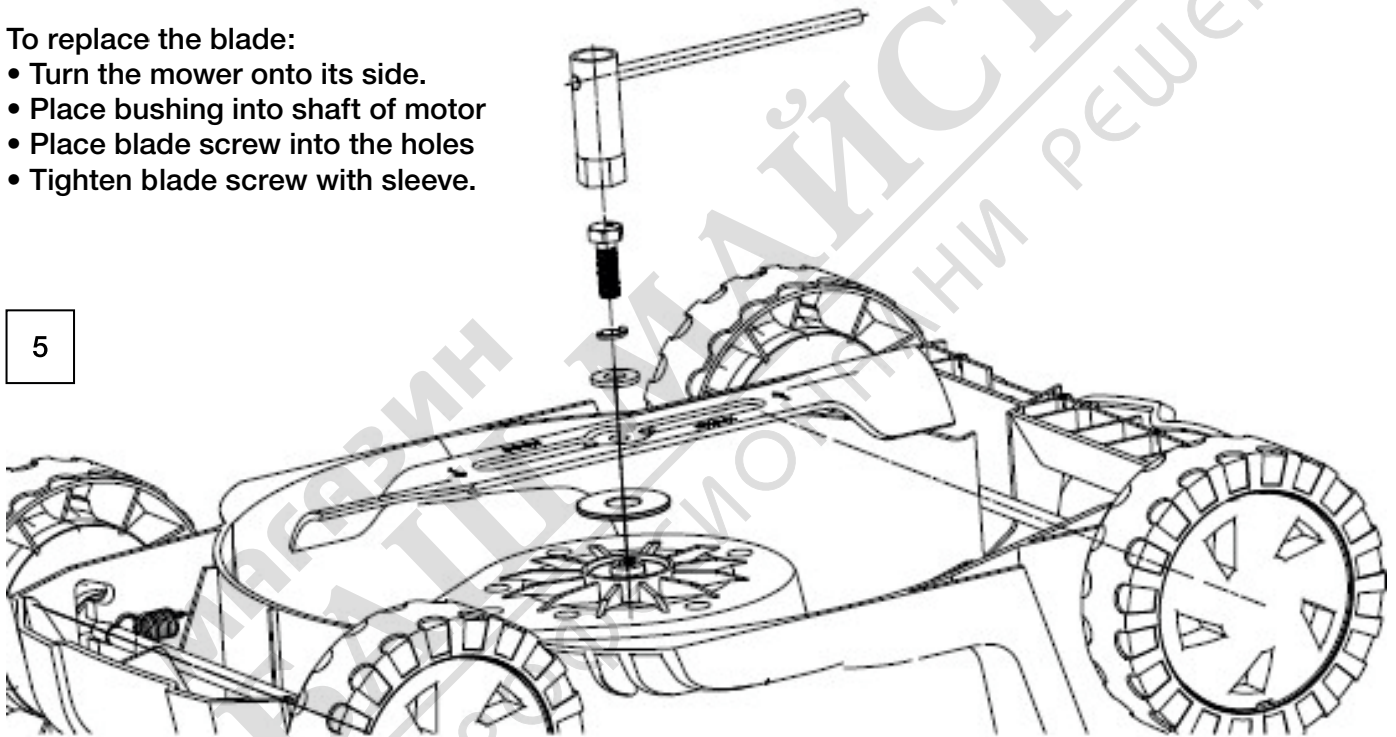
If the blade is slipping, put the screwdriver into the location hole, tighten the blade by wrench. see fig.6 and fig.7

Warning! Observe the following precautions:

- Disconnect the mower from the mains and wait until the blade has stopped rotating before proceeding.
- Be careful not to cut yourself. Use heavy-duty gloves or a cloth to grip the blade.
- Only use the specified replacement blade.
- Do not remove the impeller (A) for any reason.

To replace the blade:

- Turn the mower onto its side.
- Place bushing into shaft of motor
- Place blade screw into the holes
- Tighten blade screw with sleeve.



4. MAINTENANCE

1. Keep all nuts, bolts and screws tight to be sure the lawn mower is in a safe working condition.
2. Check the catcher frequently for wear or deterioration.
3. Replace worn or damaged parts for safety.
4. Only use the replacement blade, blade bolt and impeller specified for this product.
5. Be careful during adjustments of the lawn mower to prevent entrapment of the fingers between moving blade and fixed parts of the machine.
6. Oil the wheel pins.
7. Store the lawn mower in a dry place.

5. TECHNICAL SPECIFICATIONS

DLM1200E	DLM1400E	DLM1600E
Voltage: 230-240V~50 Hz Power: 1000 W No load speed: 3450 rpm Cutting capacity: 320 mm Adjustable 3 height position: 25/40/55mm Collection box: 35 L plastic Motor type: Brush G.W./N.W.: 9/8 kgs	Voltage: 230-240V~ 50Hz Power: 1200 W No load speed: 3450 rpm Cutting height: 25/40/55 mm Max cutting width: 320 mm This tool is double insulated. There are two independent barriers of insulation to protect you from the possibili- ty of electric shock	Voltage: 230-240V~ 50Hz Power: 1500 W Cutting width: 360 mm No-load speed: 3500 rpm Adjustable 3 height position: 20/40/60mm Collection bag: 50 L fabric Motor type: Brush motor Wheels: front 5" / rear 7" G.W./N.W.: 11.3/10.1 kgs

DLM1700E	DLM1900E
Voltage: 230-240V~ 50Hz Power: 1500 W Cutting width: 360 mm Central adjustment: 5 height positions with 20 to 70 mm No load speed: 3500 rpm Collection bag: 50 L fabric Motor type: Brush motor Wheels: front 5" / rear 7" G.W./N.W.: 12.1/11.1 kgs	Voltage: 230-240V~ 50Hz Power rating: 1700 W No load speed: 3500 rpm Cutting height: 5 height posi- tions 20 to 70mm Max cutting width: 360 mm This tool is double insulated. There are two independent barriers of insulation to protect you from the possibili- ty of electric shock.



DAEWOO
POWER PRODUCTS



МАГАЗИН МАЙСТОРА®
БАШ ПРОФЕСИОНАЛЬНЫЕ РЕШЕНИЯ

www.daewoopowerproducts.com

Manufactured under license of Daewoo International Corporation, Korea