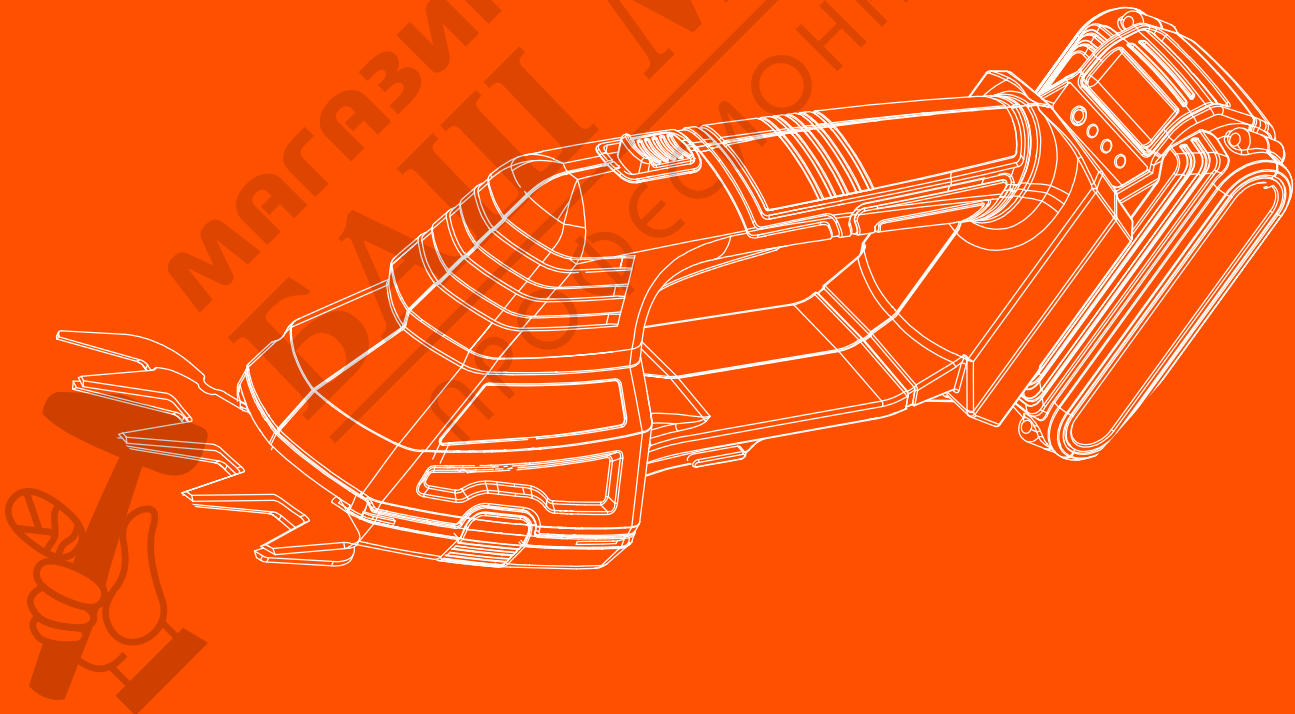




**DAEWOO**  
POWER PRODUCTS

**DALGS18-1**  
**LITHIUM GRASS SHEAR**



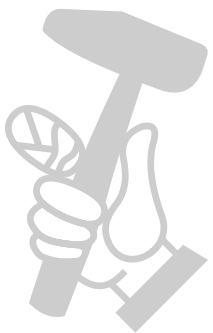
**USER'S MANUAL**

[www.daewoopowerproducts.com](http://www.daewoopowerproducts.com)

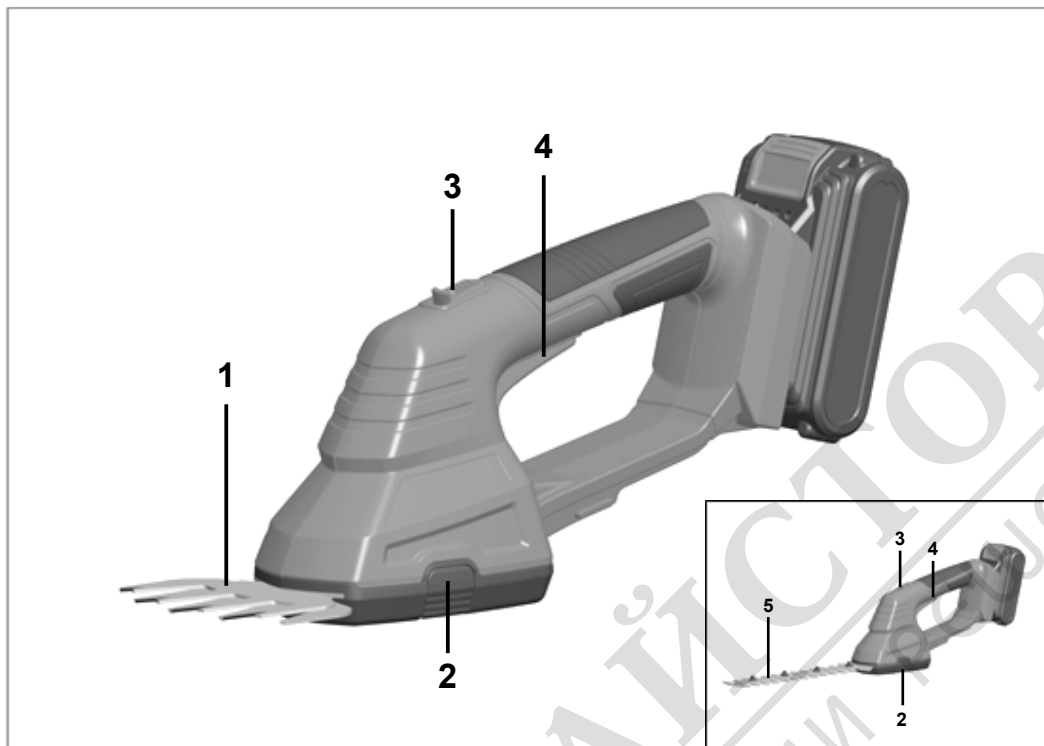
Manufactured under license of Daewoo International Corporation, Korea

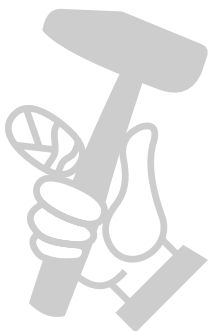
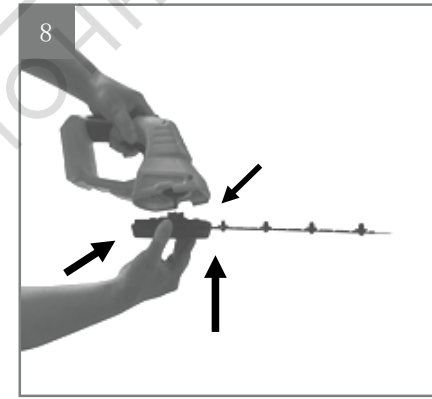
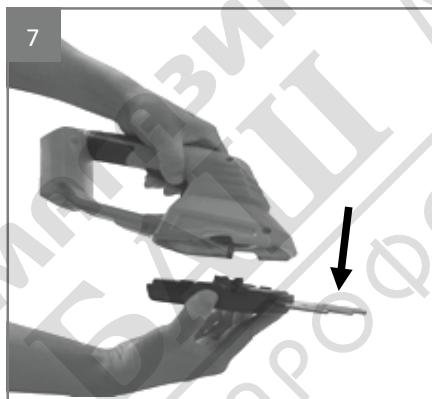
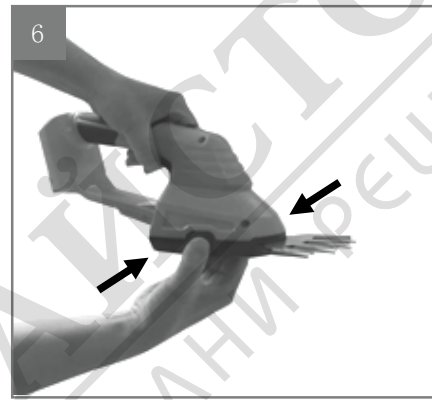
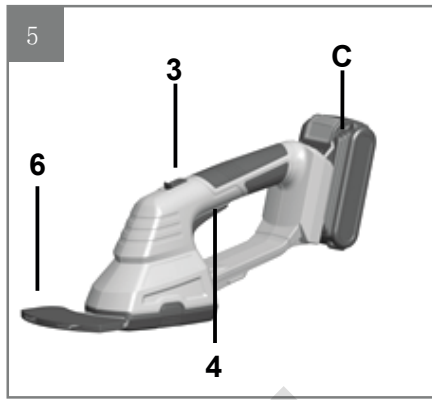
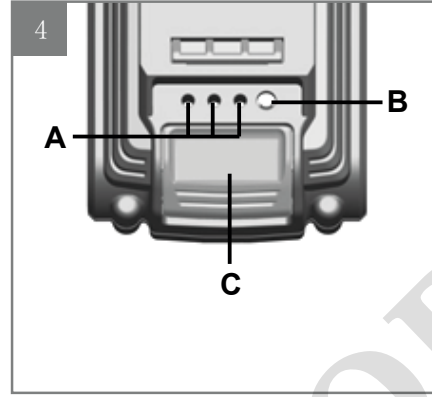
# INDEX

<b>1. GENERAL SAFETY INSTRUCTIONS FOR ELECTRIC TOOLS</b> .....	<b>5</b>
<b>2. SAFETY REGULATIONS</b> .....	<b>9</b>
<b>3. PROPER USE</b> .....	<b>11</b>
<b>4. BEFORE STARTING THE EQUIPMENT</b> .....	<b>11</b>
<b>5. OPERATION</b> .....	<b>12</b>
<b>6. CLEANING, MAINTENANCE AND ORDERING OF SPARE PARTS</b> .....	<b>13</b>
<b>7. TECHNICAL DATA</b> .....	<b>15</b>
<b>8. EXPLODED VIEW AND SPARE PARTS LIST</b> .....	<b>16</b>
<b>WARRANTY</b> .....	<b>17</b>



МАГАЗИН  
**БАШ МАЙСТОРА**  
ПРОФЕСІОНАЛНИ РЕШЕННЯ





## 1. GENERAL SAFETY INSTRUCTIONS FOR ELECTRIC TOOLS

### WARNING

Read all the safety information, instructions, illustrations and technical data provided on or with this power tool. Failure to adhere to the following instructions may result in electric shock, fire and/or serious injury. Keep all the safety information and instructions in a safe place for future use.

This equipment is not intended to be used by children, persons with reduced physical, sensory or mental capacities or with a lack of experience and knowledge, or persons who are not familiar with the instructions.

Children should be supervised so that they do not play with the equipment. Children are not allowed to carry out cleaning or maintenance work.

### Safety instructions for cordless grass and shrub shears

- Never allow persons who are not familiar with these operating instructions or children to use the machine.

-Before use, you must examine the machine visually for damaged and for missing or wrongly fitted safety devices or covers.

Eye protection, sturdy shoes and long trousers must be worn throughout the time spent using the machine.

- Never use the machine with a damaged cover or safety device or when a cover or safety device is missing.

- Switch on the equipment only when there are no hands or feet within range of the cutting unit.

- Take out the removable battery

- 1) whenever the machine is left unattended;

- 2) before you clear a blockage;

- 3) before you inspect, clean or work on the machine;

- 4) to check the machine for damage after it has struck a foreign body;

- 5) to carry out an immediate inspection whenever the machine starts to vibrate oddly.

- Take out the removable battery before maintenance or cleaning is performed.

- The machine must be inspected and serviced regularly. Have the machine repaired only in an authorized workshop.

- Avoid abnormal working postures and always keep your balance so that you stand squarely on inclines at all times. Walk, don't run.

- Warning! Do not touch moving hazardous parts before the removable battery has been taken out and the moving hazardous parts have come to a complete standstill.

- Before you begin your work, examine the material you want to cut. Remove any foreign bodies.

Keep a continuous watch out for foreignbodies while you are working. If you come across any foreign bodies while cutting, turn off the device (release the ON button) and remove the items in question.

- Keep the device at a suitable distance from your body while working. Only switch on the device when all parts of the body are well out of the way.

- Make sure that no people or animals ever come within the working or swiveling range of the device.

- Only use the device in broad daylight or make sure that you provide adequate artificial light.
- Important! The cutting tools continue running on after the device has been switched off.
- When the device is not in use, make sure that it is stored in such a way that there is no risk of hands coming into contact with the cutting blades.
- If the cutting blades get jammed while cutting, turn off the device (release the ON button) and remove the object in question (thick branch, foreign body) with a suitable blunt aid. Never remove any such objects with your fingers as the pre-tensioned blade can cause serious injuries through cutting.
- Keep the air vents clean.
- Keep the charging cable away from the blades. Never use the device with the charging cable plugged in.
- We recommend that you use a socket with a residual current device with maximum 30mA tripping current for the charger.
- Never attempt to remove the cuttings with the motor running or to hold material you wish to cut. Always switch off the device before attempting to remove any jammed cuttings.
- Make sure you keep all parts of your body away from the blade. Never attempt to remove the cuttings with the blade running or to hold the material you wish to cut. Always switch off the equipment before attempting to remove any jammed cuttings. A single moment of carelessness when using the hedge trimmer can result in serious injuries.
- Carry the hedge trimmer by its handle with the blades at a standstill. Always fit the protective cover when transporting the hedge trimmer or putting it into storage. Careful handling of the equipment reduces the likelihood of injury by the blade.
- Hold the power tool by the insulated handles because the blade may strike concealed power cables. Contact between the blade and a live cable can make the metal parts of the equipment live and cause an electric shock.
- Hold the equipment correctly, for example with both hands if the equipment is fitted with two handles.
- Make sure you stand squarely at all times while working. Be careful when walking backwards. Tripping hazard!
- Never leave the equipment unsupervised in the work area. If you stop work for a while, leave the equipment in a safe place.
- If you stop your work in order to go to another area to work, you must make sure that the equipment is switched off while you are going there.
- Make sure you maintain a steady foothold on inclines at all times; walk – do not run.
- It is prohibited to work when there is a risk of bad weather or lightning.
- Ensure that somebody is in the vicinity (but at a safe distance) in case of an accident.
- **Warning!** The switching arrangements installed on the tool by the manufacturer must not be removed or bypassed, e.g. by fitting a switching button to the handle, as this may result in risk of injury and the tool will no longer switch off automatically.

## USING AND HANDLING THE CORDLESS TOOL

- a) Only charge the batteries in chargers that are recommended by the manufacturer. A charger that is designed for a certain type of battery may pose a fire risk if it is used with other types of battery.
- b) Use only the correct batteries in the electric tools. The use of other batteries may result in injuries and a fire risk.
- c) Keep unused batteries away from paper clips, coins, keys, nails, screws and other metallic objects that could cause a short circuit between the contacts. A short circuit between the battery contacts may cause burns or a fire.

- d) In case of incorrect use, fluid may escape from the battery. Avoid contact with it. If you touch it by accident, rinse the affected area with water. If you get the fluid in your eyes, also seek medical advice. Leaking battery fluid can cause skin irritation or burns.
- e) Never use damaged or altered rechargeable batteries. Damaged or altered rechargeable batteries can behave unpredictably and lead to a risk of fire, explosion or injury.
- f) Never expose a rechargeable battery to fire or high temperatures. Fire or temperatures over 130°C pose a risk of explosion.
- g) Follow all the instructions on charging and never charge the rechargeable battery or cordless tool outside the specified allowable charging temperature range. Incorrect charging or charging outside the allowable charging temperature range could cause irreparable damage to the battery and increase the risk of fire.

#### Additional safety instructions

We pay a great deal of attention to the design of every battery pack to ensure that we supply you with batteries which feature maximum power density, durability and safety. The battery cells have a wide range of safety devices. Each individual cell is initially formatted and its electrical characteristic curves are recorded. These data are then used exclusively to be able to assemble the best possible battery packs. Despite all the safety precautions, caution must always be exercised when handling batteries. The following points must be obeyed at all times to ensure safe use. Safe use can only be guaranteed if undamaged cells are used. Incorrect handling can cause cell damage.

**Important:** Analyses confirm that incorrect use and poor care are the main causes of the damage caused by high performance batteries.

#### Information about the battery

1. The battery pack supplied with your cordless tool is not charged. The battery pack has to be charged before you use the tool for the first time.
2. For optimum battery performance avoid low discharge cycles. Charge the battery pack frequently.
3. Store the battery pack in a cool place, ideally at 15°C and charged to at least 40%.
4. Lithium-ion batteries are subject to a natural ageing process. The battery pack must be replaced at the latest when its capacity falls to just 80% of its capacity when new. Weakened cells in an aged battery pack are no longer capable of meeting the high power requirements and therefore pose a safety risk.
5. Do not throw battery packs into an open fire. There is a risk of explosion!
6. Do not ignite the battery pack or expose it to fire.
7. Do not exhaustively discharge batteries. Exhaustive discharge will damage the battery cells. The most common cause of exhaustive discharge is lengthy storage or non-use of partly discharged batteries. Stop working as soon as the performance of the battery falls noticeably or the electronic protection system triggers. Place the battery pack in storage only after it has been fully charged.
8. Protect batteries and the tool from overloads. Overloads will quickly result in overheating and cell damage inside the battery housing without this overheating actually being apparent externally.
9. Avoid damage and shocks. Replace batteries which have been dropped from a height of more than one meter or which have been exposed to violent shocks without delay, even if the housing of the battery pack appears to be undamaged. The battery cells inside the battery may have suffered serious damage. In this respect, please also read the waste disposal information.
10. If the battery pack suffers overloading and overheating, the integrated protective cut off will

switch off the equipment for safety reasons. Important. Do not press the ON/OFF switch any more if the protective cut-off has actuated. This may damage the battery pack.

11. Use only original battery packs. The use of other batteries may result in injuries, explosion and a fire risk.

12. Protect your rechargeable battery against moisture, rain and high humidity. 

Moisture, rain and high humidity can cause dangerous cell damage. Never charge or work with batteries which have been exposed to moisture, rain or high humidity – replace them immediately.

13. If your equipment is fitted with a detachable battery, remove the battery for safety reasons after you have finished your work

#### Information on chargers and the charging process

1. Please check the data marked on the rating plate of the battery charger. Be sure to connect the battery charger to a power supply with the voltage marked on the rating plate. Never connect it to a different mains voltage.

2. Protect the battery charger and its cable from damage and sharp edges. Have damaged cables repaired without delay by a qualified electrician.

3. Keep the battery charger, batteries and the cordless tool out of children's reach.

4. Do not use damaged battery chargers.

5. Do not use the supplied battery charger to charge other cordless tools.

6. In heavy use the battery pack will become warm. Allow the battery pack to cool to room temperature before commencing with the charging.

7. Do not over-charge batteries. Do not exceed the maximum charging times. These charging times only apply to discharged batteries. Frequent insertion of a charged or partly charged battery pack will result in over-charging and cell damage. Do not leave batteries in the charger for days on end.

8. Never use or charge batteries if you suspect that the last time they were charged was more than 12 months previously. There is a high probability that the battery pack has already suffered dangerous damage (exhaustive discharge).

9. Charging batteries at a temperature below 10°C will cause chemical damage to the cell and may cause a fire.

10. Do not use batteries which have heated during the charging process, as the battery cells may have suffered dangerous damage.

11. Do not use batteries which have suffered curvature or deformation during the charging process or which show other non-typical symptoms (gassing, hissing, cracking,...)

12. Never fully discharge the battery pack (recommended depth of discharge max. 80%) A complete discharge of the battery pack will lead to premature ageing of the battery cells.

13. Never charge the batteries unsupervised.

#### Protection from environmental influences

1. Wear suitable work clothes. Wear safety goggles.

2. Protect your cordless tool and the battery charger from moisture and rain. Moisture and rain can cause dangerous cell damage.

3. Do not use the cordless tool or the battery charger near vapors and inflammable liquids.

4. Use the battery charger and cordless tools only in dry conditions and an ambient temperature of 10-40°C.

5. Do not keep the battery charger in places where the temperature is liable to reach over 40°C. In particular, do not leave the battery charger in a car that is parked in the sunshine.

6. Protect batteries from overheating. Overloads, over-charging and exposure to direct sunlight will result in overheating and cell damage. Never charge or work with batteries which have been overheated – replace them immediately if possible.
7. Storage of batteries, battery chargers and cordless tools. Store the charger and your cordless tool only in dry places with an ambient temperature of 10-40°C. Store your lithium-ion battery pack in a cool, dry place at a temperature of 10-20°C. Protect them from humidity and direct sunlight. Only place fully charged batteries in storage (charged at least 40%).
8. Prevent the lithium-ion battery pack from freezing. Battery packs which were stored below 0°C for more than 60 minutes must be disposed of.
9. When handling batteries beware of electrostatic charge: Electrostatic discharges cause damage of the electronic protection system and the battery cells. Avoid electrostatic charging and never touch the battery poles.

Batteries and cordless electric equipment contain materials that are potentially harmful to the environment. Never place any rechargeable batteries or cordless electric machines or tools in your household refuse.

The rechargeable battery should be taken to a suitable collection center for proper disposal. If you do not know the whereabouts of such a collection center, you should ask in your local council offices.

To ensure that any defective/damaged lithium-ion batteries are properly packaged and delivered when you send them to us, please contact our customer service or the point of sale at which the equipment was purchased.

When shipping or disposing of batteries and cordless tools, always ensure that they are packed individually in plastic bags to prevent short circuits and fires.

Do not lose these safety instructions.

### **Danger!**

When using the equipment, a few safety precautions must be observed to avoid injuries and damage. Please read the complete operating instructions and safety regulations with due care. Keep this manual in a safe place, so that the information is available at all times. If you give the equipment to any other person, hand over these operating instructions and safety regulations as well. We cannot accept any liability for damage or accidents which arise due to a failure to follow these instructions and the safety instructions.

## **2. SAFETY REGULATIONS**

The corresponding safety information can be found in the enclosed booklet.

### **Danger!**

Read all safety regulations and instructions.

Any errors made in following the safety regulations and instructions may result in an electric shock, fire and/or serious injury.

Keep all safety regulations and instructions in a safe place for future use.

This equipment is not intended to be used by children, persons with reduced physical, sensory or mental capacities or with a lack of experience and knowledge, or persons who are not familiar with the instructions.

Children should be supervised so that they do not play with the equipment. Children are not allowed to carry out the cleaning or maintenance.

Explanation of the symbols (see Fig. 8)

1. Danger! Read the operating instructions and follow the warnings and safety instructions.
2. Keep all other persons away from the danger zone.
3. Danger! The cutter blades continue to run after the motor is switched off. Wait for the blades to come to a standstill. Risk of injury!
4. Store the battery only in dry rooms with an ambient temperature of +10°C to +40°C. Place only fully charged batteries in storage (charged at least 40-60%).
5. Protect the equipment from rain and moisture!
6. Guaranteed sound power level
7. Safety class II
8. For use in dry rooms only

## 2. Layout and items supplied

### 2.1 Layout (Fig. 1/2)

1. Grass cutter blade
2. Blade release mechanism
3. Safety lock-off
4. On / Off switch
  
5. Hedge cutter blade
6. Blade guard
7. Battery mount
8. Battery
9. Battery charger

### 2.2 Items supplied

Please check that the article is complete as specified in the scope of delivery. If parts are missing, please contact our service center or the sales outlet where you made your purchase at the latest within 5 working days after purchasing the product and upon presentation of a valid bill of purchase. Also, refer to the warranty table in the service information at the end of the operating instructions.

- Open the packaging and take out the equipment with care.
- Remove the packaging material and any packaging and/or transportation braces (if available).
- Check to see if all items are supplied.
- Inspect the equipment and accessories for transport damage.
- If possible, please keep the packaging until the end of the guarantee period.

### **Danger!**

The equipment and packaging material are not toys. Do not let children play with plastic bags, foils or small parts. There is a danger of swallowing or suffocating!

- Cordless grass and shrub shears
- Original operating instructions
- Safety instructions

### 3. PROPER USE

#### Grass shears:

The equipment is designed for cutting the edges of lawns and small areas of grass in private and hobby gardens.

#### Shrub shears:

The equipment is designed for cutting small hedges and shrubs in private and hobby gardens. Equipment designed for use in private and hobby gardens is regarded as unsuitable for use in public facilities, parks and sports centers, along roadways, or in agriculture and forestry. The operating instructions as supplied by the manufacturer must be obeyed to ensure that the equipment is used properly.

**Warning!** This equipment must not be used for composting purposes (shredding) as this could result in injury or damage to property.

The machine is to be used only for its prescribed purpose. Any other use is deemed to be a case of misuse. The user / operator and not the manufacturer will be liable for any damage or injuries of any kind caused as a result of this.

Please note that our equipment has not been designed for use in commercial, trade or industrial applications. Our warranty will be voided if the machine is used in commercial, trade or industrial businesses or for equivalent purposes

### 4. BEFORE STARTING THE EQUIPMENT

The equipment is supplied with battery and with a charger.

#### 5.1 Charging the battery (Figure 3)

1. Take the battery pack out of the equipment. Press the push lock button (Fig. 4/ Item C).
2. Check that your mains voltage is the same as that marked on the rating plate of the battery charger. Insert the power plug of the charger into the socket outlet. The green LED will light on.
3. Insert the battery pack onto the battery charger.
4. The red LED will light up until the battery is fully charged. The red LED turns green.

The battery pack can become a little warm during the charging. This is normal.

If the battery pack fails to charge, check:

- whether there is voltage at the socket outlet
- whether there is good contact at the charging contacts

If the battery pack still fails to charge, send

- the charging unit
- and the battery pack to our customer service center.

To ensure that items are properly packaged and delivered when you send them to us, please contact our customer service or the point of sale at which the equipment was purchased.

When shipping or disposing of batteries and cordless tools, always ensure that they are packed individually in plastic bags to prevent short circuits and fires.

To ensure that the battery pack provides long service, you should take care to recharge it promptly. You must recharge the battery pack when you notice that the performance of the device drops. Never allow the battery pack to become fully discharged. This will cause it to develop a defect.

#### 5.2 Battery capacity indicator (Fig. 4)

Press the button for the battery capacity indicator (Item B). The battery capacity indicator (Item A) shows the charge status of the battery using 3 LEDs

All 3 LEDs are lit:

The battery is fully charged.

2 or 1 LED(s) are lit:

The battery has an adequate remaining charge.

1 LED blinks:

The battery is empty, recharge the battery.

**Warning!** Any foreign bodies must be completely cleared away from the area to be worked on.

**Warning!**

The switching devices installed on the tool by the manufacturer are not allowed to be removed or bypassed, e.g. by fitting a switching button to the handle, as this may result in risk of injury and the tool will no longer switch off automatically.

## 5. OPERATION

### 6.1 Using the equipment as grass shears

Allow the grass shears to glide over the ground. The best cutting performance is achieved on dry lawns. The blade guard hood must be slid over the blade and the rechargeable battery removed when the equipment is not being used. The grass shears is supplied ready assembled.

1. (Fig. 5) Push the battery into the battery mount provided (Fig. 2/Item 7)

until you hear the catch click into position. To take out the battery, press the push lock button (Item C) and remove the battery.

2. (Fig. 5) Remove the blade guard hood (Item 6).

3. (Fig. 5) To switch on, push the safety lock-off forward (Item 3) and press the On/Off switch (Item 4) at the same time.

4. To switch off, let go of the On/Off switch.

### 6.2 Using the equipment as shrub shears

Hold the shrub shears slightly tilted in the direction of the shrub you wish to cut. Start by cutting the sides of the shrub working from the bottom up, and finally cut the top of the shrub. The blade guard

hood must be slid over the blade and the rechargeable battery removed when the equipment is not being used.

- Shrubs which loose their leaves in the autumn should be cut in June and October.
- Evergreen shrubs should be cut in April and August.

### 6.2.1 Assembly

Since the equipment is supplied as grass shears (see section 6.1), the grass cutting blade has to be swapped over for the shrub cutter blade which is supplied with the product. Caution! Carry out all the following assembly, dismantling and adjustment work without a rechargeable battery – risk of injury. Use protective gloves and the blade guard hood which is supplied with the equipment.

1. Push the blade release buttons (Fig. 6a) on both sides and remove the blade at the same time (Fig. 6b).
2. Slide the blade housing into the mount on the equipment housing.
3. Push the blade release buttons on both sides again (Fig. 7) and press the blade into the mount at the same time. The drive unit on the equipment is now connected to the blade.
4. Push the battery into the battery mount provided until you hear the catch click into position.

### 6.2.2 Switching on/off .

Proceed as described in section 6.1.

## 6. CLEANING, MAINTENANCE AND ORDERING OF SPARE PARTS

**Danger! Remove the rechargeable battery!**

### 7.1 Cleaning

- Keep all safety devices, air vents and the motor housing free of dirt and dust as far as possible. Wipe the equipment with a clean cloth or blow it with compressed air at low pressure.
- We recommend that you clean the device immediately each time you have finished using it.
- Clean the equipment regularly with a moist cloth. Do not use cleaning agents or solvents; these could attack the plastic parts of the equipment. Ensure that no water can seep into the device. The ingress of water into an electric tool increases the risk of an electric shock.
- The shears should be cleaned thoroughly every time before and after use. A few drops of oil (for example sewing machine oil) applied to the blades improve the cutting performance. However, never apply grease to the blades.
- To guarantee a constant exact cut it is necessary that grass residues and dirt are also removed from the top and bottom blades.

**Caution!**

Because of the risk of injury or damage to property, never clean the product with running water, especially not with a pressure hose. Store the cordless shears in a dry and frost-free location. The storage place must be inaccessible to children.

### 7.2 Maintenance

- For good cutting performance the blades should always be sharp. They can be therefore be reshaped with a whetstone. In particular we recommend to remove notches and ridges which are produced on the blades by stones or the like.
- There are no other parts inside the equipment which require maintenance.

### 7.3 Ordering replacement parts:

Please quote the following data when ordering replacement parts:

- Type of machine
- Article number of the machine

- Identification number of the machine
- Replacement part number of the part required

#### 8. Disposal and recycling

The unit is supplied in packaging to prevent its being damaged in transit. This packaging is raw material and can therefore be reused or can be returned to the raw material system. The unit and its accessories are made of various types of material, such as metal and plastic. Defective components must be disposed of as special waste.

#### 9. Storage and transport

Remove the rechargeable battery. Store the equipment and its accessories in a dark and dry place at above freezing temperature. The ideal storage temperature is between 5 and 30 °C. Store the electric tool in its original packaging.

- Always hold the equipment on the handle.
- Secure the equipment against slipping if you transport it in a vehicle.
- As far as possible, use the original packaging for transporting the equipment.
- Use a transport guard for the grass and shrub shears.

#### 10. Faults

The equipment does not work

- Check that the battery is charged (push button „B“ on the battery) and whether the charging unit is working.
- Check that the rechargeable battery is pushed fully into the battery mount and is locked in position. If the equipment will not work in spite of the voltage supply being OK, please send it to the customer service address below.



For EU countries only

Never place any electric power tools in your household refuse.

To comply with European Directive 2012/19/EU concerning old electric and electronic equipment and its implementation in national laws, old electric power tools have to be separated from other waste and disposed of in an environment-friendly fashion, e.g. by taking to a recycling depot.

Recycling alternative to the return request:

As an alternative to returning the equipment to the manufacturer, the owner of the electrical equipment must make sure that the equipment is properly disposed of if he no longer wants to keep the equipment. The old equipment can be returned to a suitable collection point that will dispose of the equipment in accordance with the national recycling and waste disposal regulations. This does not apply to any accessories or aids without electrical components supplied with the old equipment.

This consignment contains lithium-ion batteries.

In accordance with special provision 188 this consignment is not subject to the ADR regulations. Handle with care. Danger of ignition in case of damage to the consignment package. If the consignment package is damaged: Check and if necessary repackage. Subject to technical changes.

## 7. TECHNICAL DATA

Power: 20 V

Running time: up to 40 min (base on 1.5Ah)

No-load speed: 1200 rpm

Blade material: SK5

Hedge trimmer cutting width: 200 mm

Teeth distance: 8 mm

Grass shear blade cutting width: 100 mm

Thickness of grass blade: 1.3 mm/1.5 mm (upper/lower)

Thickness of grass blade: 1.5 mm

Quick blade change system

Battery and charger not included

- The vibration emission level has been measured in accordance with a set of standardized criteria and can be used to compare one power tool with another;
- The specified emission level can also be used to make an initial assessment of the exposure to vibration.

### Warning!

The vibration value changes according to the area of application of the electric equipment and may exceed the specified value in exceptional circumstances.

Keep the noise emissions and vibrations to a minimum.

- Only use appliances which are in perfect working order.
- Service and clean the appliance regularly.
- Adapt your working style to suit the appliance.
- Do not overload the appliance.
- Have the appliance serviced whenever necessary.
- Switch the appliance off when it is not in use.
- Wear protective gloves.

### Limit the operating time!

All stages of the operating cycle must be considered (for example, times in which the electric tools are switched off and times in which the tool is switched on but operates without load).

### Caution!

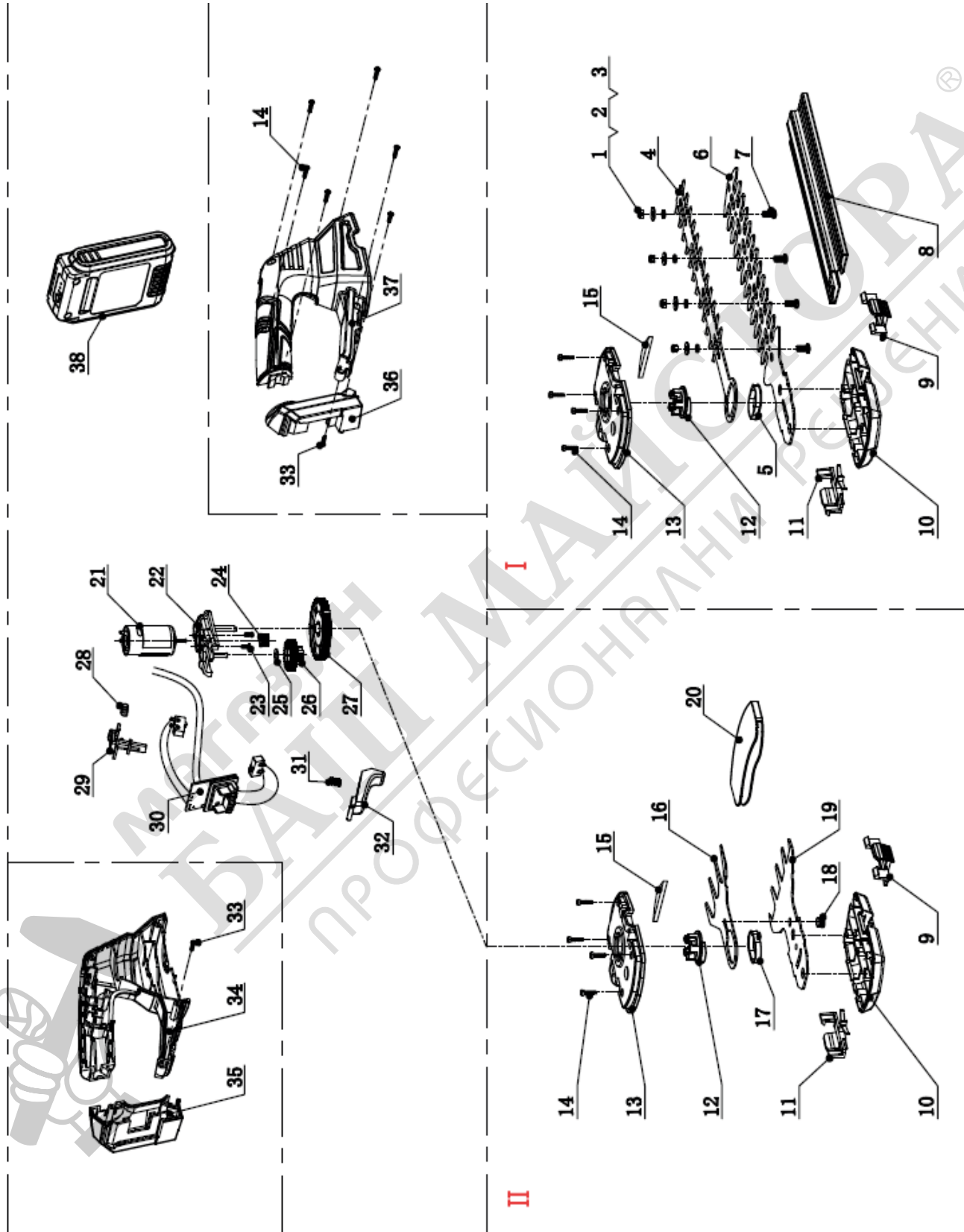
#### Residual risks

Even if you use this electric power tool in accordance with instructions, certain residual risks cannot be ruled out. The following hazards may arise in connection with the equipment's construction and layout:

1. Lung damage if no suitable protective dust mask is used.
2. Damage to hearing if no suitable ear protection is used.
3. Health damage caused by hand-arm vibrations if the equipment is used over a prolonged period or is not properly guided and maintained.

Danger!

### 8. EXPLODED VIEW AND SPARE PARTS LIST



	shrub shear blade assy I	1
1	nut M4	4
2	E washer 4Φ16*Φ4.3*Φ1.5	4
3	range ring	4
4	upper shrub shear blade	1
5	limit ring for shrub shear blade	1
6	lower shrub shear blade	1
7	screw M4*10	4
8	shrub shear blade cover	1
9	right button of the blade cover	1
10	blade box bottom	1
11	left button of the blade cover	1
12	eccentric gear	1
13	blade box cap	1
14	self-tapping screw ST2.9*13	4
15	dust sponge with gum	1
	grass shear blade assy II	1
9	right button of the blade cover	1
10	blade box bottom	1
11	left button of the blade cover	1
12	eccentric gear	1
13	blade box cap	1
14	self-tapping screw ST2.9*13	4
15	dust sponge with gum	1
16	upper grass shear blade	1
17	limit ring for grass shear blade	1
18	connector	1
19	lower grass shear blade	1
20	grass blade cover	1
	main body Assy	1
14	self-tapping screw ST2.9*13	6
21	motor	1
22	gear box plate	1
23	screw M2.5*7	2
24	small gear	1
25	washer 5 12ΦXΦ5.2X1	1
26	linkage gear	1
27	bigger gear	1
28	spring for switch trigger	1
29	switch push button	1
30	components assembly	1
31	spring for switch trigger	1
32	switch button	1
33	self-tapping screw ST2.9*12	2
34	left housing base	1
35	left housing of socket	1
36	right housing of socket	1
37	right housing base	1
38	battery pack 2.0Ah	1
39	charger	1

## WARRANTY CARD

Product model	Date of sale
Serial number	Company
Username	Client's signature

The product is in good conditions and fully complete. Read and agree the terms of the warranty.

## GUARANTEE

The warranty period starts from the date of sale of the products and covers 2 years for all power products.

During the warranty period, free failures caused due to the use of poor-quality materials in the production and manufacturer workmanship admitted fault are removed. The guarantee comes into force only when warranty card and cutting coupons are properly filled. The product is accepted for repair in its pure form and full completeness.



## WARRANTY DOES NOT COVER

- Mechanical damage (cracks, chips, etc.) and damage caused by exposure to aggressive media, foreign objects inside the unit and air vents, as well as for damage occurred as a result of improper storage (corrosion of metal parts);
- Failures caused by overloading or product misuse, use of the product for other purposes. A sure sign of overload products is melting or discoloration of parts due to the high temperature, simultaneous failure of two or more nodes, teaser on the surfaces of the cylinder and the piston or destruction of piston rings. Also, the warranty does not cover failure of the automatic voltage regulator due to incorrect operation;
- Failure caused by clogging of the fuel and cooling systems;
- Wearing parts (carbon brushes, belts, rubber seals, oil seals, shock absorbers, springs, clutches, spark plugs, mufflers, nozzles, pulleys, guide rollers, cables, recoil starter, chucks, collets, removable batteries, filters and safety elements, grease, removable devices, equipment, knives, drills, etc.);
- Electrical cables with mechanical and thermal damage;
- Product opened or repaired by a non-authorized service center.
- Prevention, care products (cleaning, washing, lubrication, etc.), installation and configuration of the product;
- Natural wear products (production share);
- Failures caused by using the product for the needs related to business activities;
- If the warranty card is empty or missing seal (stamp) of the Seller;
- The absence of the holder's signature on the warranty card.

**DAEWOO**

**DAEWOO**

**DAEWOO**

	Product	
	Model	
	Company	
	Date of sale	



**DAEWOO**

POWER PRODUCTS



МАГАЗИН МАЙСТОРА®  
БАШ ПРОФЕССИОНАЛЬНЫЕ РЕШЕНИЯ

[www.daewoopowerproducts.com](http://www.daewoopowerproducts.com)

Manufactured under license of Daewoo International Corporation, Korea