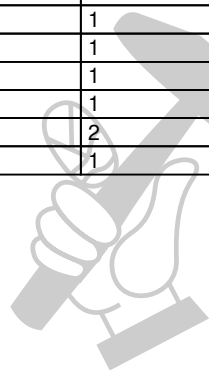
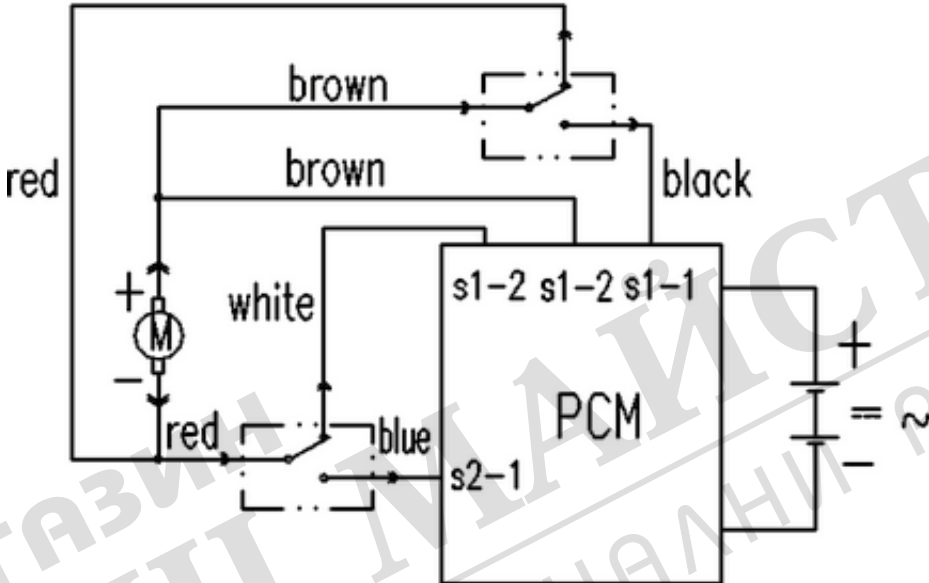


Position	Amount	Type number	Description	PG
1	1	316073660	Bowhandle compl.	22
2	1	316073740	Knife compl. 55cm	35
3	1	316072740	Housing compl.	23
4	1	341720300	fillister head screw	11
5	1	316073680	Motor compl.	24
6	1	343457240	Gear box housing	15
7	2	341720270	Self-tap. fill. h. screw with disc	11
8	1	340021910	Spur gear	15
9	16	341723940	Screw	14
10	1	343457250	Gear-box cover	16
11	1	343455770	Hand guard	15
12	2	344533620	Switch	13
13	1	343447510	Locking slide	11
14	1	343090270	Electronic cpl.	30
17	1	316073710	Blade cover 55cm	21
18	1	316073700	Cover cpl.	11
19	1	343457280	Cover 55cm	15
20	7	341005800	Bush	11
21	1	339125760	Hand protector	20
22	7	341720280	Hex head screw	11
23	8	341019530	Washer	11
24	2	341720290	Pan head screw	11
25	2	339141540	Spring Bushing	11
26	2	341006920	Bush	11
27	1	338077470	Rating plate	12
28	2	339008520	Washer	11
29	2	339008530	Washer	11
30	1	342004480	Pressure spring	11
31	1	343455760	Switch-off lock	11
32	1	343455750	Switch trigger	11
33	1	342004490	Pressure spring	11
66	1	316066720	Latch compl.	14
67	2	342004180	Pressure spring	11
1001	1	338510780	Diagram	



Electric circuit



МАГАЗИН МАСТОРА
БАШ
ПРОФЕССИОНАЛЬНЫЕ РЕШЕНИЯ