

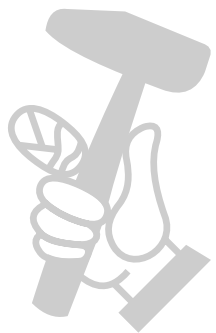
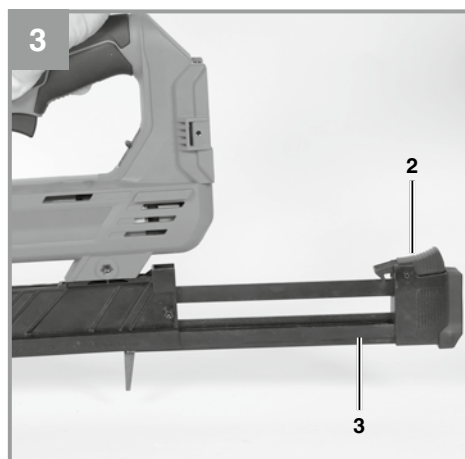
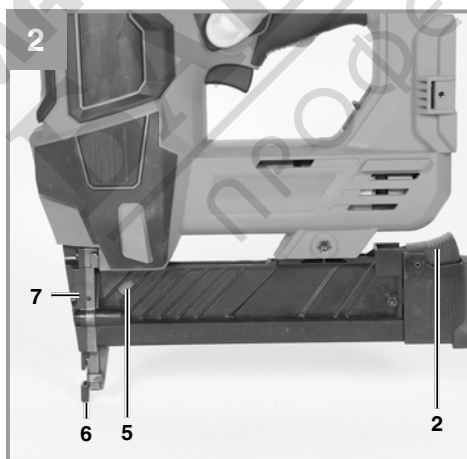
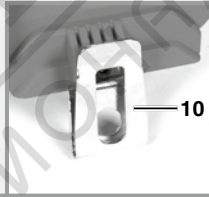
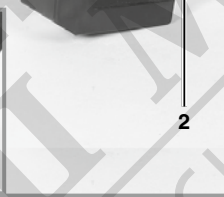
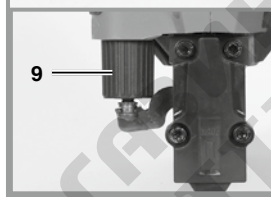
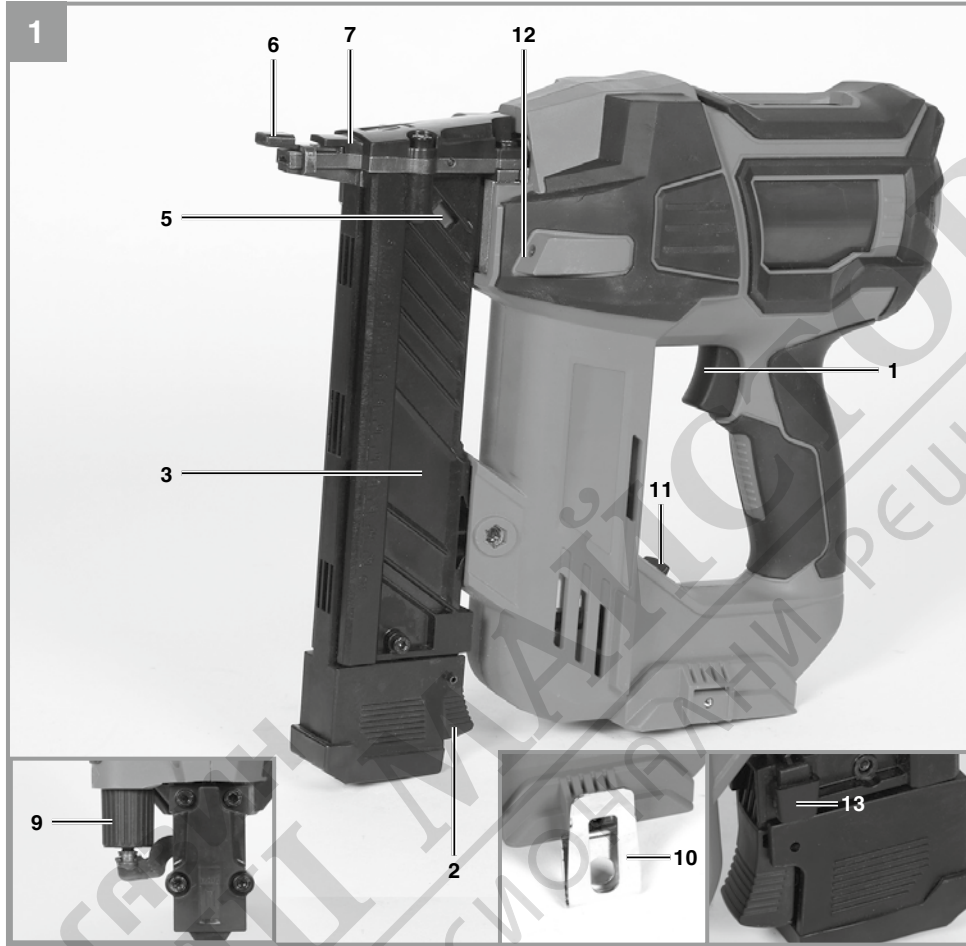
D	Originalbetriebsanleitung Akku-Tacker	SLO	Originalna navodila za uporabo Akumulatorski sponkač
GB	Original operating instructions Cordless stapler	H	Eredeti használati utasítás Akkus-tűzőgép
F	Instructions d'origine Agrafeuse sans fil	RO	Instrucțiuni de utilizare originale Capsator cu acumulator
I	Istruzioni per l'uso originali Graffettatrice a batteria	GR	Πρωτότυπες Οδηγίες χρήσης Καρφωτικό μπαταρίας
DK/ N	Original betjeningsvejledning Akku-hæftemaskine	P	Manual de instrucções original Agrafador sem fio
S	Original-bruksanvisning Batteridrivnen häftpistol	HR/ BIH	Originalne upute za uporabu Akumulatorski pištolj za spajanje
CZ	Originální návod k obsluze Akumulátorový sponkovač	RS	Originalna uputstva za upotrebu Akumulatorska heftalica
SK	Originálny návod na obsluhu Akumulátorová sponkovačka	PL	Instrukcją oryginalną Zszywacz akumulatorowy
NL	Originele handleiding Accu-tacker	TR	Orijinal Kullanma Talimatı Akülü zimba
E	Manual de instrucciones original Grapadora de batería	EE	Originaalkasutusjuhend Akuga klambrilööja
FIN	Alkuperäiskäyttöohje Akkunaulain		

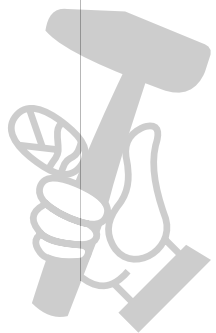
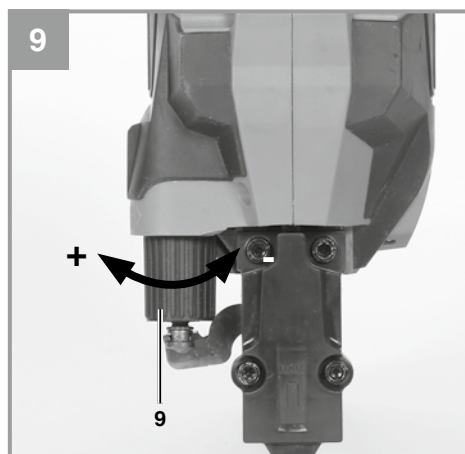
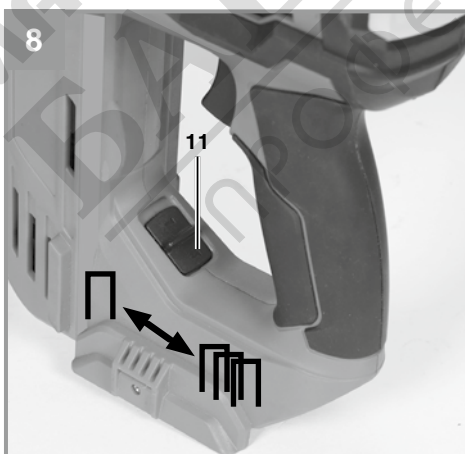
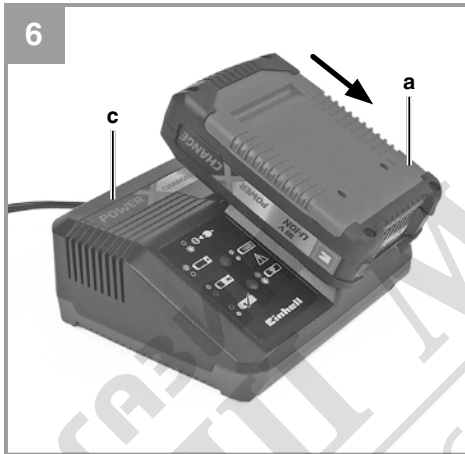
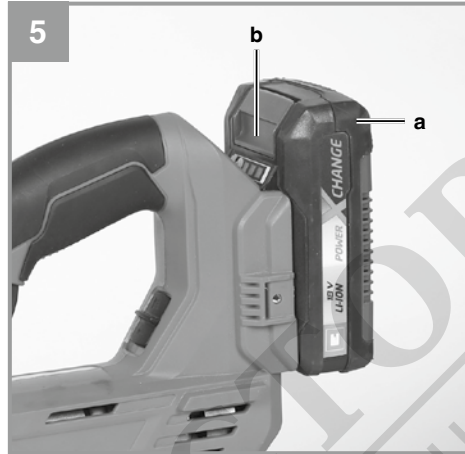
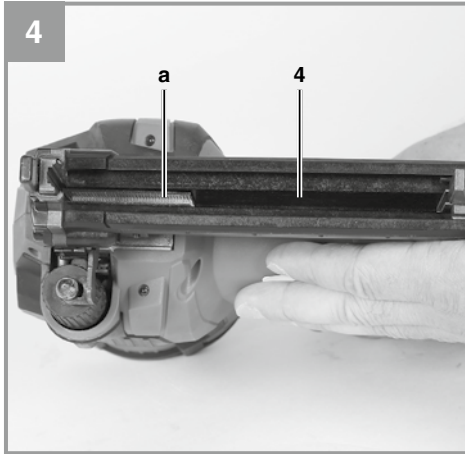
13



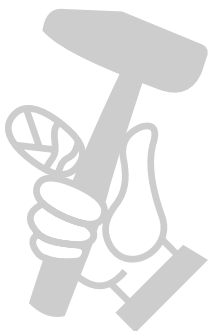
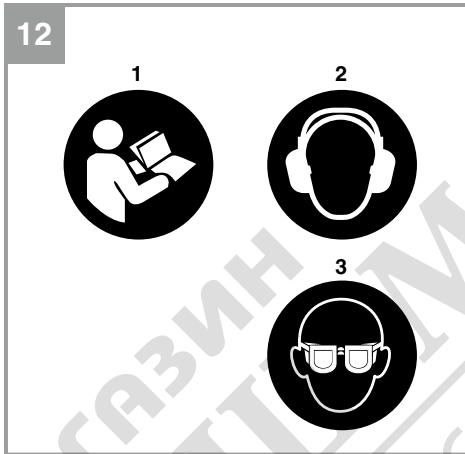
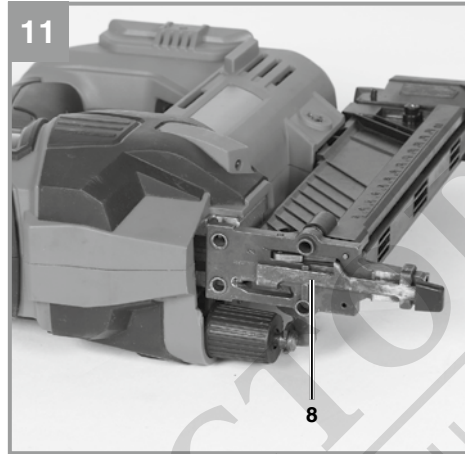
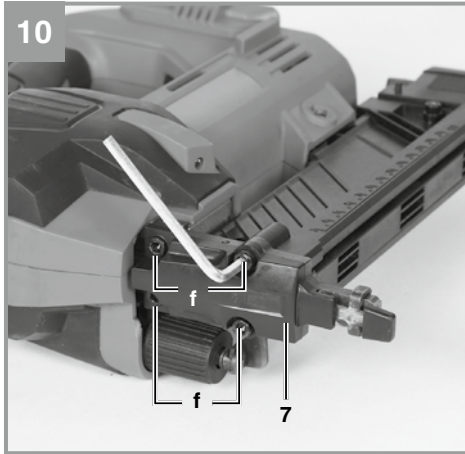
Art.-Nr.: 42.577.85

I.-Nr.: 21012





МАГАЗИН ЭЛЕКТРОПРИБОРА
 ИНЖЕНЕРИЯ
 РИШНАШЕНИЯ



Danger!

When using the equipment, a few safety precautions must be observed to avoid injuries and damage. Please read the complete operating instructions and safety regulations with due care. Keep this manual in a safe place, so that the information is available at all times. If you give the equipment to any other person, hand over these operating instructions and safety regulations as well. We cannot accept any liability for damage or accidents which arise due to a failure to follow these instructions and the safety instructions.

Explanation of the symbols used (see Fig. 12)

1. **Danger!** - Read the operating instructions to reduce the risk of injury.
2. **Caution! Wear ear-muffs.** The impact of noise can cause damage to hearing.
3. **Caution! Wear safety goggles.** Sparks generated during working or splinters, chips and dust emitted by the device can cause loss of sight.

1. Safety regulations

The corresponding safety information can be found in the enclosed booklet.

Warning!

Read all the safety information, instructions, illustrations and technical data provided on or with this power tool. Failure to adhere to the following instructions may result in electric shock, fire and/or serious injury.

Keep all the safety information and instructions in a safe place for future use.

2. Layout and items supplied**2.1 Layout (Figs. 1)**

1. Trigger
2. Magazine release
3. Magazine cover
4. Magazine
5. Filling level indicator
6. Stapler head and trigger catch
7. Cover plate (outside)
8. Cover plate (inside)
9. Depth setting
10. Belt clip
11. Selector switch for single shot / repeat shot
12. LED lamp
13. Replacement cap

2.2 Items supplied

Please check that the article is complete as specified in the scope of delivery. If parts are missing, please contact our service center or the sales outlet where you made your purchase at the latest within 5 working days after purchasing the product and upon presentation of a valid bill of purchase. Also, refer to the warranty table in the service information at the end of the operating instructions.

- Open the packaging and take out the equipment with care.
- Remove the packaging material and any packaging and/or transportation braces (if available).
- Check to see if all items are supplied.
- Inspect the equipment and accessories for transport damage.
- If possible, please keep the packaging until the end of the guarantee period.

Danger!

The equipment and packaging material are not toys. Do not let children play with plastic bags, foils or small parts. There is a danger of swallowing or suffocating!

- Cordless stapler
- Replacement cap
- 3 mm hexagon key
- 38 mm staples (500 pcs)
- Original operating instructions
- Safety instructions

3. Proper use

The cordless stapler is designed for driving staples into wood and similar materials. You are allowed to use only staples of the type described in section 4 "Technical data". Never use any other staples.

Similarly this tool must never be used on any hard materials such as stone, metal, etc.

The equipment is to be used only for its prescribed purpose. Any other use is deemed to be a case of misuse. The user / operator and not the manufacturer will be liable for any damage or injuries of any kind caused as a result of this.

Please note that our equipment has not been designed for use in commercial, trade or industrial applications. Our warranty will be voided if the machine is used in commercial, trade or industrial businesses or for equivalent purposes.

4. Technical data

Motor power supply: 18 V DC
 Maximum number of operations per minute: ... 60
 Staple width: 5.5-6.1 mm
 Staple length: 10-38 mm
 Staple thickness: 1.25 mm
 Weight: 2.1 kg

Danger!

Sound and vibration

Sound and vibration values were measured in accordance with EN 60745.

L_{pA} sound pressure level 84 dB(A)
 K_{pA} uncertainty 3 dB
 L_{WA} sound power level 95 dB(A)
 K_{WA} uncertainty 3 dB

Wear ear-muffs.

The impact of noise can cause damage to hearing.

Total vibration values (vector sum of three directions) determined in accordance with EN 60745.

Vibration emission value $a_h = 4.89 \text{ m/s}^2$
 K uncertainty = 1.5 m/s^2

The stated vibration emission levels and stated noise emission values were measured in accordance with a set of standardized criteria and can be used to compare one power tool with another.

The stated vibration emission levels and stated noise emission values can also be used to make an initial assessment of exposure.

Warning:

The vibration and noise emission levels may vary from the level specified during actual use, depending on the way in which the power tool is used, especially the type of workpiece it is used for.

Keep the noise emissions and vibrations to a minimum.

- Only use appliances which are in perfect working order.
- Service and clean the appliance regularly.
- Adapt your working style to suit the appliance.
- Do not overload the appliance.
- Have the appliance serviced whenever necessary.
- Switch the appliance off when it is not in use.

Caution!

Residual risks

Even if you use this electric power tool in accordance with instructions, certain residual risks cannot be ruled out. The following hazards may arise in connection with the equipment's construction and layout:

1. Lung damage if no suitable protective dust mask is used.
2. Damage to hearing if no suitable ear protection is used.
3. Health damage caused by hand-arm vibrations if the equipment is used over a prolonged period or is not properly guided and maintained.

Danger!

The electric power tool generates an electromagnetic field during operation. Under certain circumstances this field may actively or passively impede medical implants. To reduce the risk of serious or fatal injuries, we recommend persons with medical implants to consult their doctor and the manufacturer of the medical implant prior to using the equipment.

5. Before using the equipment

Warning!

Always remove the rechargeable battery before starting any inspection or adjusting work.

Warning:

Wear the necessary protective clothing, in particular safety goggles, when working with the cordless stapler.

Pay attention to the safety regulations.

- Each time before starting work, check that the magazine cover is securely fastened (Fig. 1/ Item 3). Clean the equipment thoroughly and immediately each time after it has been used.
- Each time before starting work, check that the trigger catch functions perfectly and that all screws are securely fastened.
- Never tamper with the stapler.
- Never dismantle or block any parts of the stapler such as e.g. a trigger catch.
- Never carry out any "emergency repairs" with unsuitable means.
- Proper stapler maintenance is required at regular intervals in accordance with the information supplied by the manufacturer.
- Take precautions to prevent anything which would weaken or damage the equipment, e.g. from
 - a) striking or engraving,
 - b) modifications which are prohibited by the manufacturer,
 - c) guiding on templates made of hard material, e.g. steel,
 - d) pushing across the floor,
 - e) using as a hammer,
 - f) any kinds of acts of violence.

5.1 Checking the trigger catch (Fig. 1)

Warning!

Remove the battery.

Check the trigger catch (6) each time before use. The trigger catch must move freely without jamming. The spring on the stapler head and trigger catch must return the trigger catch to the released initial position again. Never use the equipment if the trigger catch is not working.

1. Remove the battery from the tool.
2. Remove the staples from the magazine (Fig. 3/Item 4).
3. Check that the trigger catch (6) can move up and down freely.
4. Reinsert the battery in the tool.
5. Press the stapler head/trigger catch (6) against the workpiece without pressing the trigger (1). The tool is not allowed to operate. Never use the tool if it operates without the trigger (1) being pressed. Risk of injury!
6. Remove the tool from the workpiece. The trigger catch (6) must return to its released starting position. Press the trigger (1). The tool is not allowed to operate. Do not use the tool if it operates. Risk of injury!

7. Press the stapler head and trigger catch (6) against the workpiece and press the trigger (1); the tool will operate.

5.2 Loading staples (Fig. 2-4/Item 4)

Warning!

Remove the battery.

- When you fill the magazine (4), make sure that you hold the equipment in such a way that the muzzle is pointed neither at yourself nor at anyone else.
- To fill the magazine, press the magazine release (2) and slide back the magazine cover (3) as far as it will go (see Fig. 3).
- **Staples:** Insert the staples (a) into the magazine (4) from below as shown in Fig. 4.

Important!

It must be possible to move the magazine slide without applying much force. Watch out for jammed staples!

5.3 Charging the Li battery pack (Fig. 5-6)

1. Remove the battery pack (a) from the handle, pressing the pushlock button (b) downwards to do so.
2. Check that your mains voltage is the same as that marked on the rating plate of the battery charger. Insert the power plug of the charger (c) into the socket outlet. The green LED will then begin to blink.
3. Push the battery pack onto the battery charger.

In section 10 (Charger indicator) you will find a table with an explanation of the LED indicator on the charger.

If the battery pack fails to charge, check for the following:

- voltage at the power socket
- whether there is good contact at the charging contacts of the charging unit

If the battery pack still fails to charge, send

- the charger
 - and the battery pack
- to our customer service center.

To ensure that items are properly packaged and delivered when you send them to us, please contact our customer service or the point of sale at which the equipment was purchased.

When shipping or disposing of batteries and cordless tools, always ensure that they are packed individually in plastic bags to prevent short circuits and fires.

To ensure that the battery pack provides long service, you should take care to recharge it promptly. You must recharge the battery pack when you notice that the performance of the device drops. Never allow the battery pack to become fully discharged. This will cause it to develop a defect.

5.4 Battery capacity indicator (Fig. 7)

Press the button for the battery capacity indicator (d). The battery capacity indicator (e) shows the charge status of the battery using 3 LEDs.

All 3 LEDs are lit:

The battery is fully charged.

2 or 1 LED(s) are lit:

The battery has an adequate remaining charge.

1 LED flashes:

The battery is empty, recharge the battery.

All LEDs blink:

The battery temperature is too high. Remove the battery from the equipment, keep it at room temperature for one day. If the fault reoccurs, this means that the rechargeable battery has undergone exhaustive discharge and is defective. Remove the battery from the equipment. Never use or charge a defective battery.

6. Operation

6.1 Operation (Fig. 2)

Each time before starting to work, use the filling level indicator (5) to check if the magazine contains any staples and make sure that the magazine cover (3) is properly closed.

Important!

Determine the required and optimum depth of penetration of the staples by first using a test workpiece which is similar in structure and

material thickness to the workpieces you want to join.

6.2 Triggering shots (Fig. 1)

The built-in trigger catches prevent the cordless stapler from being triggered accidentally. As the result a shot can be triggered only when you press the stapler head (6) of the cordless stapler against the material and actuate the trigger (1).

Single shot

Set the selector switch for single shot / repeat shot (11) to single shot.

Place the stapler head (6) of the cordless stapler against the workpiece ready for stapling. Pull the trigger (1) once and let it go again after each shot.

Repeat shot

Set the selector switch for single shot / repeat shot (11) to repeat shot.

Pull and hold the trigger (1). Each time you now place the trigger catch (6) against the workpiece the cordless stapler will shoot repeatedly until you release the trigger (1).

If the staple goes in too far or if it does not go in far enough you can adjust the depth of penetration with the depth adjuster (Fig. 1/Item 9) (see section 6.4).

Important!

To prevent the cordless stapler from overheating, you must take a break of 20 minutes after approx. 500 shots in repeat mode.

6.3 Jammed staples (Fig. 10-11)

If a staple becomes jammed in the tool, proceed as follows:

- Remove the battery from the tool.
- Open the magazine cover (3).
- Undo the four screws for the cover plate (7) as shown in Fig. 10.
- Remove the cover plate (7).
- Remove the jammed staples.
- Refit the cover plate. Take care to fit in the right direction and order.
- Screw the cover plate (7) securely back in place.

6.4 Adjusting the depth (Fig. 9)

The tool has a depth adjuster (Fig. 9 / Item 9) in the form of a rotary knob. If you screw it in the direction (+), the staples will be shot in deeper. If you want to reduce the depth that the staples are shot in, you have to screw the rotary knob in the direction (-).

Important!

Use some test pieces.

7. Cleaning, maintenance and ordering of spare parts

Danger!

Always pull out the battery pack before starting any cleaning work.

7.1 Cleaning

- Keep all safety devices, air vents and the motor housing free of dirt and dust as far as possible. Wipe the equipment with a clean cloth or blow it with compressed air at low pressure.
- We recommend that you clean the device immediately each time you have finished using it.
- Clean the equipment regularly with a moist cloth and some soft soap. Do not use cleaning agents or solvents; these could attack the plastic parts of the equipment. Ensure that no water can seep into the device. The ingress of water into an electric tool increases the risk of an electric shock.

7.2 Ordering replacement parts:

Please quote the following data when ordering replacement parts:

- Type of machine
- Article number of the machine
- Identification number of the machine
- Replacement part number of the part required

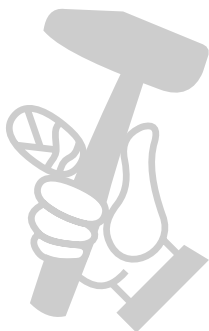
For our latest prices and information please go to www.Einhell-Service.com

8. Disposal and recycling

The equipment is supplied in packaging to prevent it from being damaged in transit. The raw materials in this packaging can be reused or recycled. The equipment and its accessories are made of various types of material, such as metal and plastic. Never place defective equipment in your household refuse. The equipment should be taken to a suitable collection center for proper disposal. If you do not know the whereabouts of such a collection point, you should ask in your local council offices.

9. Storage

Store the equipment and accessories in a dark and dry place at above freezing temperature. The ideal storage temperature is between 5 and 30 °C. Store the electric tool in its original packaging.



10. Charger indicator

Indicator status		Explanations and actions
Red LED	Green LED	
Off	Flashing	<p>Ready for use The charger is connected to the mains and is ready for use; there is no battery pack in the charger</p>
On	Off	<p>Charging The charger is charging the battery pack in quick charge mode. The charging times are shown directly on the charger. Important! The actual charging times may vary slightly from the stated charging times depending on the existing battery charge.</p>
Off	On	<p>The battery is charged and ready for use. (READY TO GO) The unit then changes over to gentle charging mode until the battery is fully charged. To do this, leave the rechargeable battery on the charger for approx. 15 minutes longer. Action: Take the battery pack out of the charger. Disconnect the charger from the mains supply.</p>
Flashing	Off	<p>Adapted charging The charger is in gentle charging mode. For safety reasons the charging is performed less quickly and takes more time. The reasons can be: - The rechargeable battery has not been used for a very long time. - The battery temperature is outside the ideal range. Action: Wait for the charging to be completed; you can still continue to charge the battery pack.</p>
Flashing	Flashing	<p>Fault Charging is no longer possible. The battery pack is defective. Action: Never charge a defective battery pack. Take the battery pack out of the charger.</p>
On	On	<p>Temperature fault The battery pack is too hot (e.g. due to direct sunshine) or too cold (below 0° C). Action: Remove the battery pack and keep it at room temperature (approx. 20° C) for one day .</p>



For EU countries only

Never place any electric power tools in your household refuse.

To comply with European Directive 2012/19/EC concerning old electric and electronic equipment and its implementation in national laws, old electric power tools have to be separated from other waste and disposed of in an environment-friendly fashion, e.g. by taking to a recycling depot.

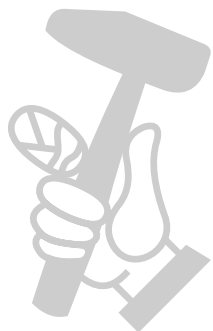
Recycling alternative to the return request:

As an alternative to returning the equipment to the manufacturer, the owner of the electrical equipment must make sure that the equipment is properly disposed of if he no longer wants to keep the equipment. The old equipment can be returned to a suitable collection point that will dispose of the equipment in accordance with the national recycling and waste disposal regulations. This does not apply to any accessories or aids without electrical components supplied with the old equipment.

Please note that batteries and lamps (e.g. light bulbs) must be removed from the tool before it is disposed of.

The reprinting or reproduction by any other means, in whole or in part, of documentation and papers accompanying products is permitted only with the express consent of the Einhell Germany AG.

Subject to technical changes



Service information

We have competent service partners in all countries named on the guarantee certificate whose contact details can also be found on the guarantee certificate. These partners will help you with all service requests such as repairs, spare and wearing part orders or the purchase of consumables.

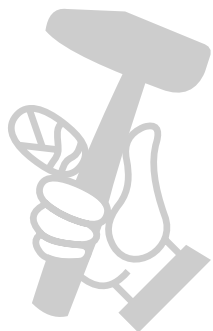
Please note that the following parts of this product are subject to normal or natural wear and that the following parts are therefore also required for use as consumables.

Category	Example
Wear parts*	Rechargeable battery
Consumables*	Staples
Missing parts	

* Not necessarily included in the scope of delivery!

In the effect of defects or faults, please register the problem on the internet at www.Einhell-Service.com. Please ensure that you provide a precise description of the problem and answer the following questions in all cases:

- Did the equipment work at all or was it defective from the beginning?
- Did you notice anything (symptom or defect) prior to the failure?
- What malfunction does the equipment have in your opinion (main symptom)? Describe this malfunction.



Warranty certificate

Dear Customer,

All of our products undergo strict quality checks to ensure that they reach you in perfect condition. In the unlikely event that your device develops a fault, please contact our service department at the address shown on this guarantee card. You can also contact us by telephone using the service number shown.

Please note the following terms under which guarantee claims can be made:

1. These guarantee terms apply to consumers only, i.e. natural persons intending to use this product neither for their commercial activities nor for any other self-employed activities. These warranty terms regulate additional warranty services, which the manufacturer mentioned below promises to buyers of its new products in addition to their statutory rights of guarantee. Your statutory guarantee claims are not affected by this guarantee. Our guarantee is free of charge to you.
2. The warranty services cover only defects due to material or manufacturing faults on a product which you have bought from the manufacturer mentioned below and are limited to either the rectification of said defects on the product or the replacement of the product, whichever we prefer.
Please note that our devices are not designed for use in commercial, trade or professional applications. A guarantee contract will not be created if the device has been used by commercial, trade or industrial business or has been exposed to similar stresses during the guarantee period.
3. The following are not covered by our guarantee:
 - Damage to the device caused by a failure to follow the assembly instructions or due to incorrect installation, a failure to follow the operating instructions (for example connecting it to an incorrect mains voltage or current type) or a failure to follow the maintenance and safety instructions or by exposing the device to abnormal environmental conditions or by lack of care and maintenance.
 - Damage to the device caused by abuse or incorrect use (for example overloading the device or the use of unapproved tools or accessories), ingress of foreign bodies into the device (such as sand, stones or dust, transport damage), the use of force or damage caused by external forces (for example by dropping it).
 - Damage to the device or parts of the device caused by normal or natural wear or tear or by normal use of the device.
4. The guarantee is valid for a period of 24 months starting from the purchase date of the device. Guarantee claims should be submitted before the end of the guarantee period within two weeks of the defect being noticed. No guarantee claims will be accepted after the end of the guarantee period. The original guarantee period remains applicable to the device even if repairs are carried out or parts are replaced. In such cases, the work performed or parts fitted will not result in an extension of the guarantee period, and no new guarantee will become active for the work performed or parts fitted. This also applies if an on-site service is used.
5. To make a claim under the guarantee, please register the defective device at: www.Einhell-Service.com. Please keep your bill of purchase or other proof of purchase for the new device. Devices that are returned without proof of purchase or without a rating plate shall not be covered by the guarantee, because appropriate identification will not be possible. If the defect is covered by our guarantee, then the item in question will either be repaired immediately and returned to you or we will send you a new replacement.

Of course, we are also happy offer a chargeable repair service for any defects which are not covered by the scope of this guarantee or for units which are no longer covered. To take advantage of this service, please send the device to our service address.

Also refer to the restrictions of this warranty concerning wear parts, consumables and missing parts as set out in the service information in these operating instructions.

