

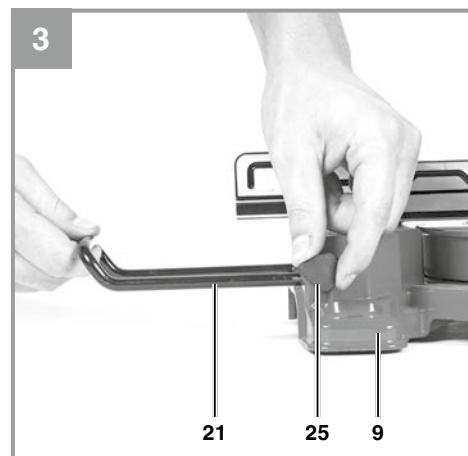
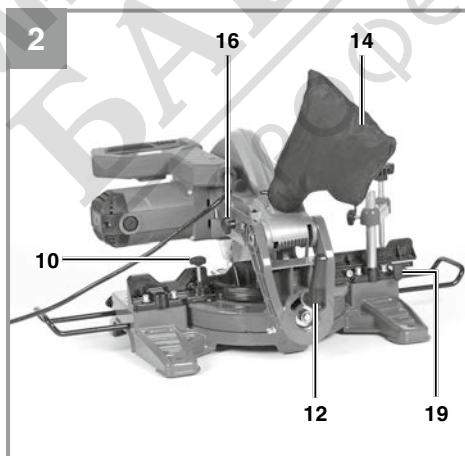
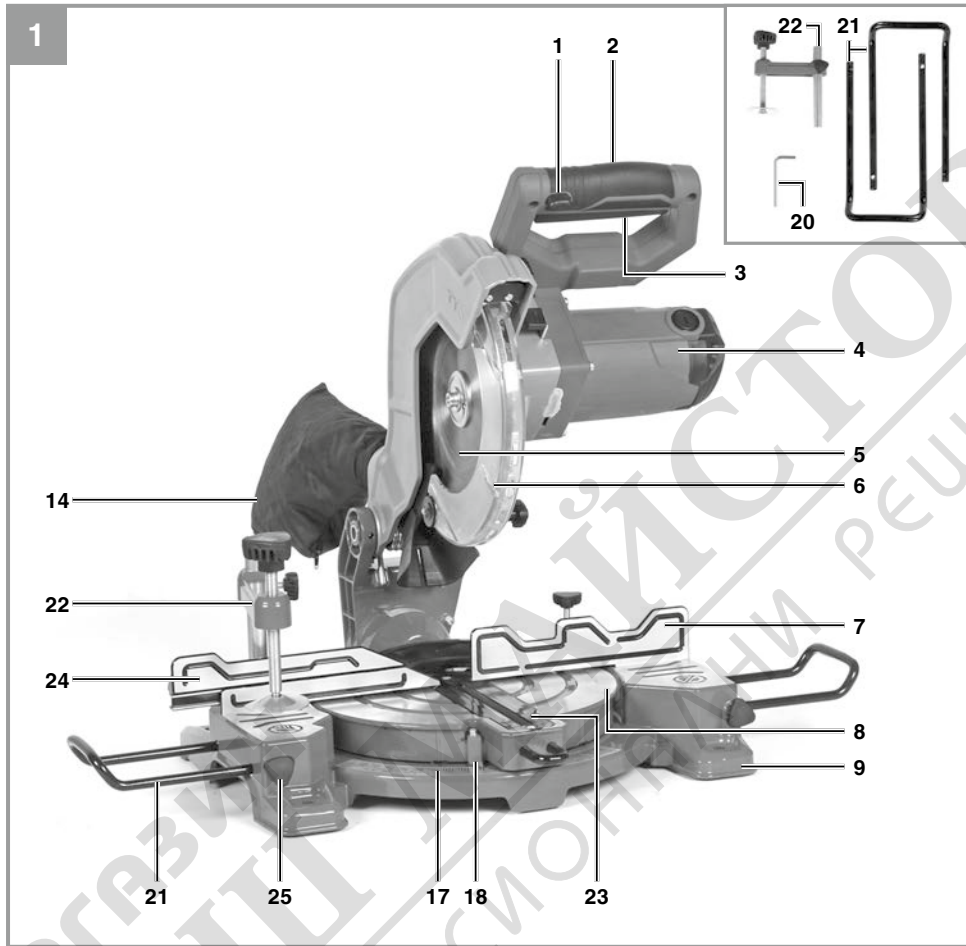
D	Originalbetriebsanleitung Kapp- und Gehrungssäge	SLO	Originalna navodila za uporabo Čelilna žaga in zajeralna žaga
GB	Original operating instructions Crosscut and miter saw	H	Eredeti használati utasítás Fejező- és sarkaló fűrész
F	Instructions d'origine Scie à onglet	RO	Instrucțiuni de utilizare originale Ferăstrău de rețezat
I	Istruzioni per l'uso originali Sega per troncature e tagli obliqui	GR	Πρωτότυπες Οδηγίες χρήσης Φαλτσοπρίονο
DK/ N	Original betjeningsvejledning Kap- og geringssav	P	Manual de instruções original Serra de corte transversal e meia-esquadria
S	Original-bruksanvisning Kap- och geringssåg	HR/ BIH	Originalne upute za uporabu Pila za prorezivanje i koso rezanje
CZ	Originální návod k obsluze Kapovací pila	RS	Originalna uputstva za upotrebu Testera za prerezivanje i koso rezanje
SK	Originálny návod na obsluhu Kapovacia píla	PL	Instrukcję oryginalną Piła ukośna
NL	Originele handleiding Afkort- en verstekzaag	EE	Originaalkasutusjuhend Nurgasaag
E	Manual de instrucciones original Sierra oscilante y para cortar ingleses		
FIN	Alkuperäiskäyttöohje Katkaisu- ja jiirisaha		

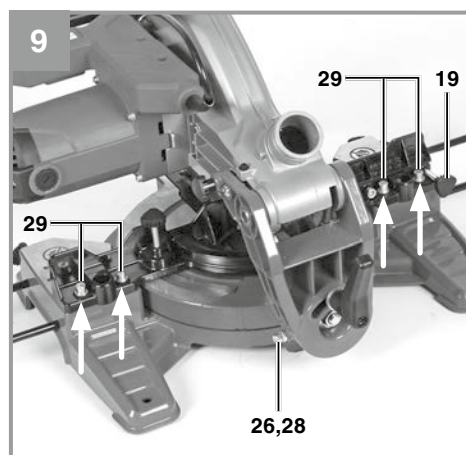
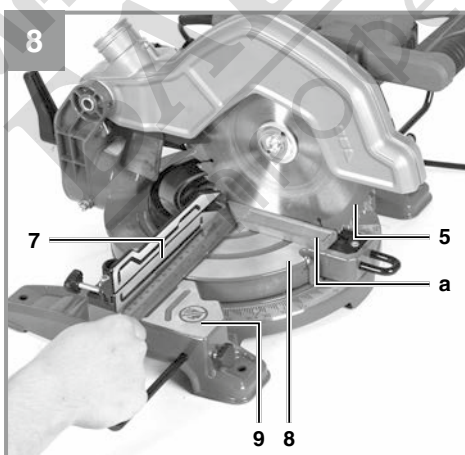
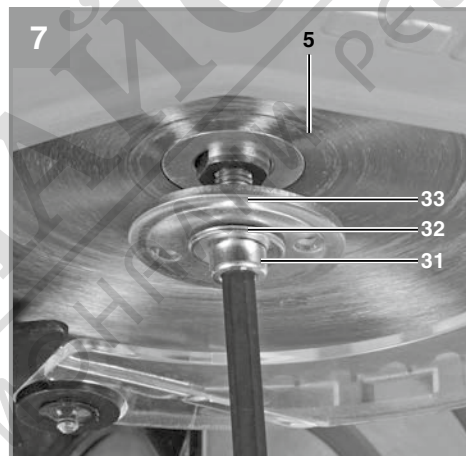
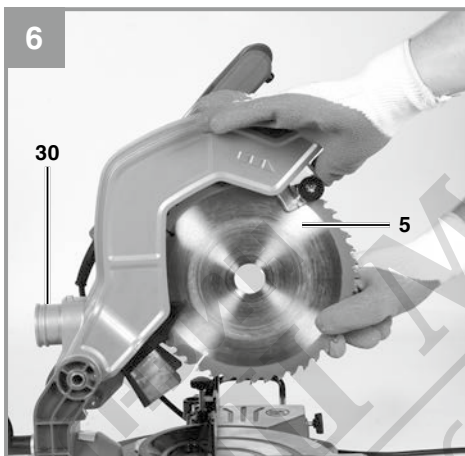
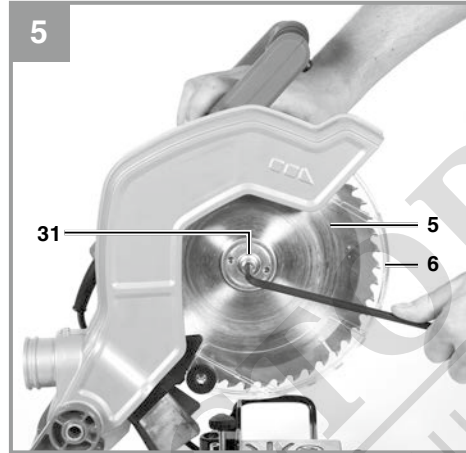
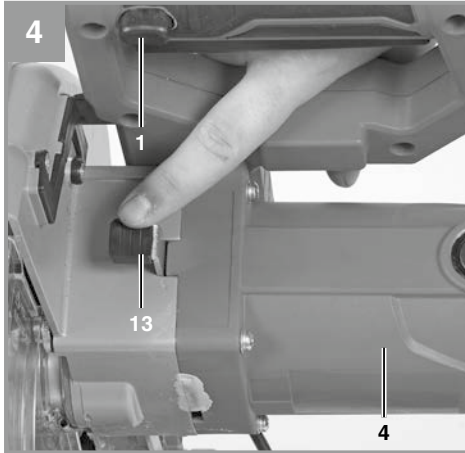
13

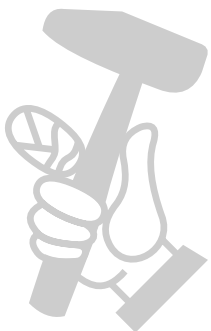
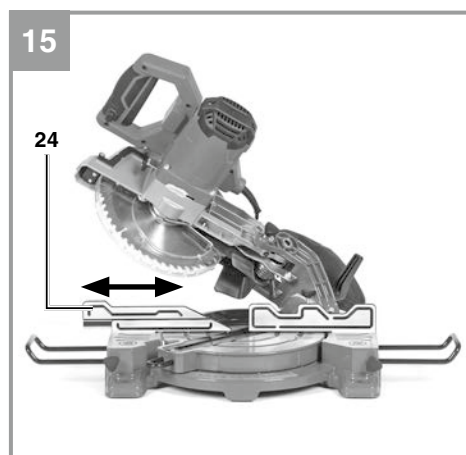
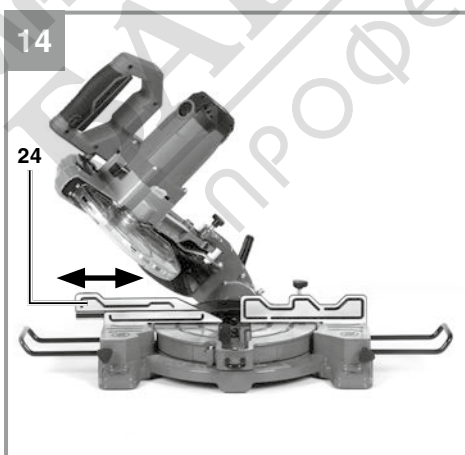
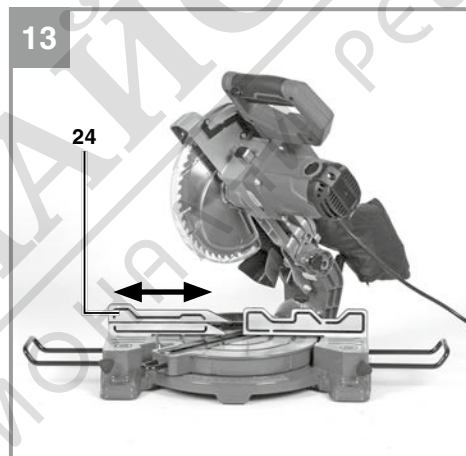
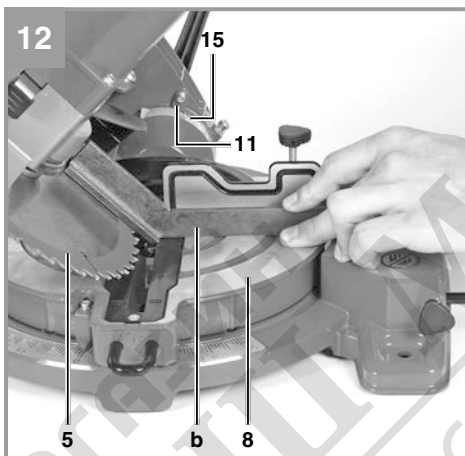
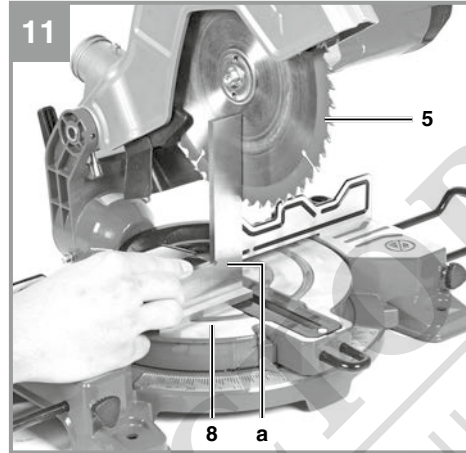
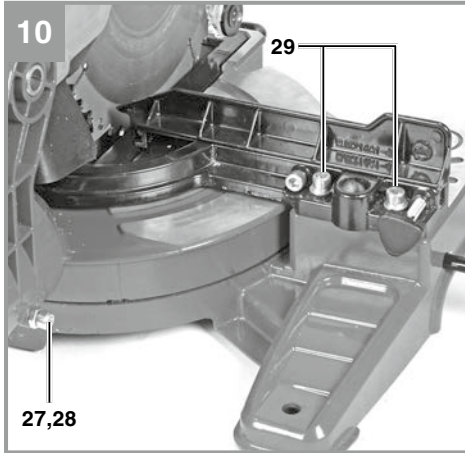


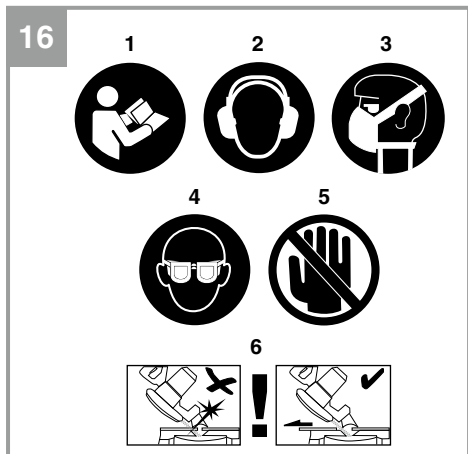
Art.-Nr.: 43.003.70

I.-Nr.: 21022

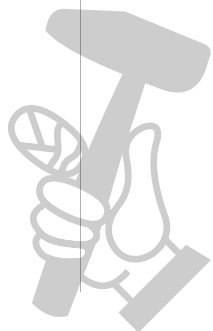








МАГАЗИН МАЙСТОРА®
БАШ МАЙСТОРА
ПРОФЕСИОНАЛНИ РЕШЕНИЯ



Danger!

When using the equipment, a few safety precautions must be observed to avoid injuries and damage. Please read the complete operating instructions and safety regulations with due care. Keep this manual in a safe place, so that the information is available at all times. If you give the equipment to any other person, hand over these operating instructions and safety regulations as well. We cannot accept any liability for damage or accidents which arise due to a failure to follow these instructions and the safety instructions.

Explanation of the symbols used (see Fig. 16)

1. **Danger!** - Read the operating instructions to reduce the risk of injury
2. **Caution! Wear ear-muffs.** The impact of noise can cause damage to hearing.
3. **Caution! Wear a breathing mask.** Dust which is injurious to health can be generated when working on wood and other materials. Never use the device to work on any materials containing asbestos!
4. **Caution! Wear safety goggles.** Sparks generated during working or splinters, chips and dust emitted by the device can cause loss of sight.
5. **Caution! Risk of injury! Do not** reach into the running saw blade.
6. **Warning!** To make miter cuts (with the saw head inclined or the turntable set at an angle), the adjustable stop rail must be fixed at an outer position.
To make 90° crosscuts, the adjustable stop rail must be fixed at the inner position.

1. Safety regulations

The corresponding safety information can be found in the enclosed booklet.

Danger!**Read all safety regulations and instructions.**

Any errors made in following the safety regulations and instructions may result in an electric shock, fire and/or serious injury.

Keep all safety regulations and instructions in a safe place for future use.

Please note when reading the safety information that this item of equipment does not have the following functions: Motor brake system, carry-handle or laser.

2. Layout and items supplied**2.1 Layout (Fig. 1-15)**

1. Release button
2. Handle
3. On/Off switch
4. Machine head
5. Saw blade
6. Adjustable blade guard
7. Fixed stop rail
8. Turntable
9. Fixed saw table
10. Locking grip for turntable
11. Pointer
12. Clamping lever
13. Saw shaft lock
14. Sawdust bag
15. Scale
16. Retaining pin
17. Scale (turntable)
18. Pointer (turntable)
19. Locking grip for adjustable stop rail
20. Hexagon key 6mm
21. Workpiece support
22. Clamping device
23. Table insert
24. Adjustable stop rail
25. Locking grip for workpiece supports
26. Adjustment screw for angle stop 90°
27. Adjustment screw for angle stop 45°
28. Lock nut
29. Adjustment screw for stop rail
30. Discharge opening
31. Flange bolt
32. Washer
33. Outer flange

2.2 Items supplied

Please check that the article is complete as specified in the scope of delivery. If parts are missing, please contact our service center or the sales outlet where you made your purchase at the latest within 5 working days after purchasing the product and upon presentation of a valid bill of purchase. Also, refer to the warranty table in the service information at the end of the operating instructions.

- Open the packaging and take out the equipment with care.
- Remove the packaging material and any packaging and/or transportation braces (if available).
- Check to see if all items are supplied.
- Inspect the equipment and accessories for

transport damage.

- If possible, please keep the packaging until the end of the guarantee period.

Danger!

The equipment and packaging material are not toys. Do not let children play with plastic bags, foils or small parts. There is a danger of swallowing or suffocating!

- Circular crosscut and miter box saw
- Carbide-tipped saw blade
- Hexagon key 6 mm
- Sawdust bag
- Workpiece support (2x)
- Clamping device
- Original operating instructions
- Safety information

3. Proper use

The crosscut and miter saw is designed for cross-cutting wood and wood-type materials which are appropriate for the machine's size. The saw is not designed for cutting firewood.

The equipment is to be used only for its prescribed purpose. Any other use is deemed to be a case of misuse. The user / operator and not the manufacturer will be liable for any damage or injuries of any kind caused as a result of this.

Please note that our equipment has not been designed for use in commercial, trade or industrial applications. Our warranty will be voided if the machine is used in commercial, trade or industrial businesses or for equivalent purposes.

The equipment is to be operated only with suitable saw blades. It is prohibited to use any type of cutting-off wheel.

To use the equipment properly you must also observe the safety information, the assembly instructions and the operating instructions to be found in this manual.


All persons who use and service the equipment have to be acquainted with these operating instructions and must be informed about the equipment's potential hazards. It is also imperative to observe the accident prevention regulations in force in your area. The same applies for the general rules of health and safety at work.

The manufacturer will not be liable for any changes made to the equipment nor for any damage resulting from such changes. Even when the equipment is used as prescribed it is still impossible to eliminate certain residual risk factors.

The following hazards may arise in connection with the machine's construction and design:

- Contact with the saw blade in the uncovered saw zone.
- Reaching into the running saw blade (cut injuries).
- Kick-back of workpieces and parts of workpieces.
- Saw blade fracturing.
- Catapulting of faulty carbide tips from the saw blade.
- Damage to hearing if essential ear-muffs are not used.
- Harmful emissions of wood dust when used in closed rooms.

4. Technical data

AC motor	220-240 V ~ 50 Hz
Power	S1 1400 W / S6 25% 1600 W
Idling speed n_0	5000 min ⁻¹
Carbide saw blade	Ø 216 x Ø 30 x 2.4 mm
Maximum tooth pitch	2.8 mm
Number of teeth	48
Weight	8.3 kg
Pivoting range	-47° / 0° / +47°
Miter cut	0° to 45° to the left
Saw width at 90°	max. 120 x 60 mm
Saw width at 45°	max. 80 x 60 mm
Saw width at 2 x 45° (double miter cut)	max. 80 x 45 mm
Protection class:	II / 

Minimum workpiece size: Only ever cut workpieces which are big enough to clamp securely with the clamping device – minimum length 160 mm.

Operating mode S6 25%: Continuous operation with idling (cycle time 10 minutes). To ensure that the motor does not become excessively hot, it may only be operated for 25% of the cycle at the specified rating and must then be allowed to idle for 75% of the cycle.

Danger!**Noise**

The noise emission values were measured in accordance with EN 62841.

L_{pA} sound pressure level	95.5 dB(A)
K_{pA} uncertainty	3 dB
L_{WA} sound power level	108.5 dB(A)
K_{WA} uncertainty	3 dB

Wear ear-muffs.

The impact of noise can cause damage to hearing.

The stated noise emission values were measured in accordance with a set of standardized criteria and can be used to compare one power tool with another.

The stated noise emission values can also be used to make an initial assessment of exposure.

Warning:

The noise emission levels may vary from the level specified during actual use, depending on the way in which the power tool is used, especially the type of workpiece it is used for.

Keep the noise emissions and vibrations to a minimum.

- Only use appliances which are in perfect working order.
- Service and clean the appliance regularly.
- Adapt your working style to suit the appliance.
- Do not overload the appliance.
- Have the appliance serviced whenever necessary.
- Switch the appliance off when it is not in use.

Caution!**Residual risks**

Even if you use this electric power tool in accordance with instructions, certain residual risks cannot be ruled out. The following hazards may arise in connection with the equipment's construction and layout:

1. Lung damage if no suitable protective dust mask is used.
2. Damage to hearing if no suitable ear protection is used.
3. Health damage caused by hand-arm vibrations if the equipment is used over a prolonged period or is not properly guided and maintained.

5. Before starting the equipment

Before you connect the equipment to the mains supply make sure that the data on the rating plate are identical to the mains data.

Warning!

Always pull the power plug before making adjustments to the equipment.

5.1 General information

- The equipment must be set up where it can stand securely, i.e. it should be bolted to a workbench, a universal base frame or similar.
- All covers and safety devices have to be properly fitted before the equipment is switched on.
- It must be possible for the blade to run freely.
- When working with wood that has been processed before, watch out for foreign bodies such as nails or screws, etc.
- Before you actuate the On/Off switch, make sure that the saw blade is correctly fitted and that the equipment's moving parts run smoothly.

5.2 Assembling the saw (Fig. 2, 3, 6)

The workpiece supports (21) must be inserted and tightened using the locking grip (25).

To fit the sawdust bag (14) to the discharge opening (30) on the crosscut saw, spread the metal ring apart on the opening. When the metal ring is back in its original shape, the sawdust bag is held securely in position.

5.3 Adjusting the saw (Fig. 1/2)

- To adjust the turntable (8), loosen the locking grip (10) by approx. 2 turns, which frees the turntable.
- The turntable has locking points at angles of 0°, 15°, 22.5°, 30°, 45°. Once the turntable is engaged, the setting must be additionally secured by tightening the locking grip (10).
- If different angle settings are required, the turntable (8) may be secured in position using only the locking grip (10).
- Lightly press the machine head (4) down while at the same time pulling out the retaining pin (16); this causes the saw to move down to the lower working position.
- Swing up the machine head (4).
- When the clamping lever (12) is loosened, you can tilt the machine head (4) to the left by up to 45°.

- Check the mains voltage against the voltage details on the rating plate to ensure they are identical and plug in the machine.

5.4 Precision adjustment of the stop rail (Fig. 8-10)

- Lower the machine head (4) and fasten in place with the safety pin (16).
- Fasten the turntable (8) in 0° position.
- Place the 90° stop angle (a) between the blade (5) and the stop rail (7).
- Slacken the four adjustment screws (29), set the stop rail (7) to 90° in relation to the saw blade (5) and retighten the adjustment screws (29).
- No angle stop (a) included.

5.5 Precision adjustment of the angle stop for crosscut 90° (Fig. 9, 11)

- Slacken the clamping lever (12).
- Place the 90° angular stop (a) between the blade (5) and the turntable (8).
- Slacken the lock nut (28) and adjust the adjustment screw (26) until the angle between the blade (5) and the turntable (8) equals 90°.
- Retighten the lock nut (28) to secure this setting.
- Finally, check the position of the pointer (11) (Fig. 12). If necessary, release the pointer with a crosstip screwdriver, move to the 0° position of the angle scale (15) and retighten the pointer.
- The angle stop (a) and crosstip screwdriver are not included in the scope of this delivery.

5.6 Precision adjustment of the angle stop for miter cut 45° (Fig. 10, 12)

- Lower the machine head (4) and fasten in place with the safety pin (16).
- Fasten the turntable (8) in 0° position.
- Release the clamping lever (12) and tilt the machine head (4) all the way to the left to 45° using the handle (2).
- Place the 45° stop angle (b) between the blade (5) and the turntable (8).
- Slacken the lock nut (28) and adjust the adjustment screw (27) until the angle between the blade (5) and the turntable (8) equals exactly 45°.
- Retighten the lock nut to secure this setting.
- No angle stop (b) included.

6. Operation

Warning! To make 90° crosscuts, the adjustable stop rail (24) must be fixed at the inner position:

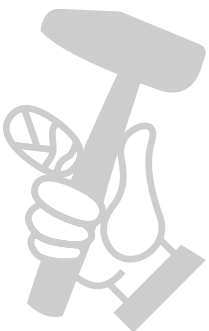
- Undo the locking grip for the adjustable stop rail (19) and push the adjustable stop rail inwards.
- The adjustable stop rail (24) must be fixed far enough in front of the innermost position that the distance between the stop rail (24) and the saw blade (5) amounts to a maximum of 5mm.
- Before making a cut, check that the stop rail and the saw blade cannot collide.
- Tighten the locking grip (19) again.

Warning! To make 0°-45° miter cuts (with the machine head (4) inclined or the turntable set at an angle), the adjustable stop rail (24) must be fixed at an outer position.

- Undo the locking grip for the adjustable stop rail (19) and push the adjustable stop rail outwards.
- The adjustable stop rail (24) must be fixed far enough in front of the innermost position that the distance between the stop rail (24) and the saw blade (5) amounts to a maximum of 5mm.
- Before making a cut, check that the stop rail and the saw blade cannot collide.
- Tighten the locking grip (19) again.

6.1 Crosscut 90° and turntable 0° (Fig. 1)

- Place the piece of wood to be cut at the stop rail (7 and 24) and on the turntable (8).
- Lock the material with the clamping device (22) on the fixed saw table (9) to prevent the material from moving during the cutting operation.
- To turn the saw on, press the release button (1) and the On/Off switch (3).
- When you have switched on the saw, wait until the saw blade (5) has reached maximum speed.
- Use the handle (2) to apply steady and light downward pressure to the machine head (4) to move it down and cut all the way through the workpiece.
- When the cutting operation is completed, move the machine head back to its upper (home) position and release the On/Off switch (3).
- **Warning!** The integral resetting springs will automatically lift the machine head. Do not



simply let go of the handle (2) after cutting, but allow the machine head to rise slowly, applying slight counterpressure as it does so.

6.2 Crosscut 90° and turntable 0°- 45° (Fig. 13)

The crosscut saw can be used to make right and left angular cuts of 0°- 45° in relation to the stop rail.

- Move the machine head (4) to its upper position.
- Release the turntable (8) by slackening the locking grip (10).
- Set the turntable (8) to the required angle using the handle (2).
- Retighten the locking grip (10) to secure the turntable (8) in place.
- Cut as described in section 6.1.

6.3 Miter cut 0°- 45° and turntable 0° (Fig. 14)

The crosscut saw can be used to make miter cuts of 0° - 45° in relation to the work face.

- Move the machine head (4) to its upper position.
- Fasten the turntable (8) in 0° position.
- Release the clamping lever (12) and use the handle (2) to tilt the machine head (4) to the left until the pointer (11) coincides with the required angular setting on the scale (15).
- Retighten the clamping lever (12) and make the cut as described in section 6.1.

6.4 Miter cut 0°- 45° and turntable 0°- 45° (Fig. 15)

The crosscut saw can be used to make miter cuts to the left of 0°- 45° in relation to the work face and, at the same time, 0° - 45° in relation to the stop rail (double miter cut).

- Move the machine head (4) to its upper position.
- Release the turntable (8) by slackening the locking grip (10).
- Use the handle (2) to adjust the turntable (8) to the angle required (in this connection see also section 6.2).
- Retighten the locking grip (10) in order to secure the turntable in place.
- Release the clamping lever (12) and use the handle (2) to tilt the machine head (4) to the left until it coincides with the required angular setting (in this connection see also section 6.3).
- Retighten the clamping lever (12).
- Cut as described in section 6.1.

6.5 Sawdust bag (Fig. 2)

The saw is equipped with a sawdust bag (14) for sawdust and chips.

The sawdust bag (14) can be emptied by means of a zipper at the bottom.

6.6 Changing the saw blade (Fig. 4-7)

- Before changing the saw blade: Pull out the power plug!
- Wear work gloves to prevent injury when changing the saw blade.
- Swing the machine head upwards (4).
- Press the saw shaft lock (13) with one hand while positioning the hexagon key (20) on the flange bolt (31) with the other hand. The saw shaft lock (13) engages after no more than one rotation.
- Now, using a little more force, slacken the flange screw (31) in the clockwise direction.
- Turn the flange screw (31) right out and remove the washer (32) and the outer flange (33).
- Take the blade (5) off the inner flange and pull out downwards. To do so, move the saw blade guard (6) up to enable access to the saw blade.
- Carefully clean the flange screw (31), washer (32), outer flange (33) and inner flange.
- Fit and fasten the new saw blade (5) in reverse order.
- Important! The cutting angle of the teeth, in other words the direction of rotation of the saw blade (5) must coincide with the direction of the arrow on the housing.
- Check to make sure that all safety devices are properly mounted and in good working condition before you begin working with the saw again.
- Warning! Every time that you change the saw blade, check that the saw blade guard (6) opens and closes again in accordance with requirements. Also check that the saw blade (5) spins freely in the saw blade guard (6).
- Warning! Every time that you change the saw blade, check to see that it spins freely in the table insert (23) in both perpendicular and 45° angle settings.
- Warning! You should replace the table insert (23) immediately whenever it is worn or damaged. To do so, undo the Philips screws in the table insert (23) and take the table insert out of the fixed saw table (9). To fit the new table insert (23), proceed in reverse order.
- Warning! The work to change and align the saw blade (5) must be carried out correctly.

7. Replacing the power cable

Danger!

If the power cable for this equipment is damaged, it must be replaced by the manufacturer or its after-sales service or similarly trained personnel to avoid danger.

8. Cleaning, maintenance and ordering of spare parts

Danger!

Always pull out the mains power plug before starting any cleaning work.

8.1 Cleaning

- Keep all safety devices, air vents and the motor housing free of dirt and dust as far as possible. Wipe the equipment with a clean cloth or blow it with compressed air at low pressure.
- We recommend that you clean the device immediately each time you have finished using it.
- Clean the equipment regularly with a moist cloth and some soft soap. Do not use cleaning agents or solvents; these could attack the plastic parts of the equipment. Ensure that no water can seep into the device. The ingress of water into an electric tool increases the risk of an electric shock.

8.2 Carbon brushes

In case of excessive sparking, have the carbon brushes checked only by a qualified electrician.

Danger! The carbon brushes should not be replaced by anyone but a qualified electrician.

8.3 Maintenance

- There are no parts inside the equipment which require additional maintenance.
- Lubricate all moving parts at regular intervals.

8.4 Ordering spare parts and accessories

Please provide the following information when ordering spare parts:

- Type of unit
- Article number of the unit
- ID number of the unit
- Spare part number of the required spare part

For our latest prices and information please go to www.Einhell-Service.com



Tip! For good results we recommend high-quality accessories from **kwb** !
www.kwb.eu
welcome@kwb.eu

8.5 Transport

Transport the machine by lifting it by the fixed saw table (9) only. Never use the safety devices such as the saw blade guard and stop rails for handling or transporting purposes.

9. Disposal and recycling

The equipment is supplied in packaging to prevent it from being damaged in transit. The raw materials in this packaging can be reused or recycled. The equipment and its accessories are made of various types of material, such as metal and plastic. Never place defective equipment in your household refuse. The equipment should be taken to a suitable collection center for proper disposal. If you do not know the whereabouts of such a collection point, you should ask in your local council offices.

10. Storage

Store the equipment and accessories in a dark and dry place at above freezing temperature. The ideal storage temperature is between 5 and 30 °C. Store the electric tool in its original packaging.



For EU countries only

Never place any electric power tools in your household refuse.

To comply with European Directive 2012/19/EC concerning old electric and electronic equipment and its implementation in national laws, old electric power tools have to be separated from other waste and disposed of in an environment-friendly fashion, e.g. by taking to a recycling depot.

Recycling alternative to the return request:

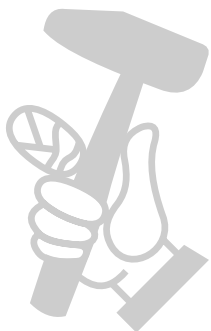
As an alternative to returning the equipment to the manufacturer, the owner of the electrical equipment must make sure that the equipment is properly disposed of if he no longer wants to keep the equipment. The old equipment can be returned to a suitable collection point that will dispose of the equipment in accordance with the national recycling and waste disposal regulations. This does not apply to any accessories or aids without electrical components supplied with the old equipment.

Please note that batteries and lamps (e.g. light bulbs) must be removed from the tool before it is disposed of.

The reprinting or reproduction by any other means, in whole or in part, of documentation and papers accompanying products is permitted only with the express consent of the Einhell Germany AG.

Subject to technical changes

- The product meets the requirements of EN 61000-3-11 and is subject to special connection conditions. This means that use of the product at any freely selectable connection point is not allowed.
- Given unfavorable conditions in the power supply the product can cause the voltage to fluctuate temporarily.
- The product is intended solely for use at connection points that
 - a) do not exceed a maximum permitted supply impedance „Z“, or
 - b) have a continuous current-carrying capacity of the mains of at least 100 A per phase.
- As the user, you are required to ensure, in consultation with your electric power company if necessary, that the connection point at which you wish to operate the product meets one of the two requirements, a) or b), named above.



Service information

We have competent service partners in all countries named on the guarantee certificate whose contact details can also be found on the guarantee certificate. These partners will help you with all service requests such as repairs, spare and wearing part orders or the purchase of consumables.

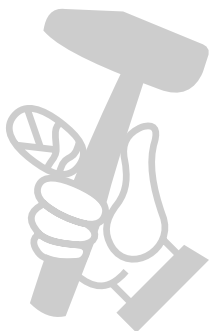
Please note that the following parts of this product are subject to normal or natural wear and that the following parts are therefore also required for use as consumables.

Category	Example
Wear parts*	Carbon brushes
Consumables*	Saw blade
Missing parts	

* Not necessarily included in the scope of delivery!

In the effect of defects or faults, please register the problem on the internet at www.Einhell-Service.com. Please ensure that you provide a precise description of the problem and answer the following questions in all cases:

- Did the equipment work at all or was it defective from the beginning?
- Did you notice anything (symptom or defect) prior to the failure?
- What malfunction does the equipment have in your opinion (main symptom)? Describe this malfunction.



Warranty certificate

Dear Customer,

All of our products undergo strict quality checks to ensure that they reach you in perfect condition. In the unlikely event that your device develops a fault, please contact our service department at the address shown on this guarantee card. You can also contact us by telephone using the service number shown. Please note the following terms under which guarantee claims can be made:

1. These guarantee terms apply to consumers only, i.e. natural persons intending to use this product neither for their commercial activities nor for any other self-employed activities. These warranty terms regulate additional warranty services, which the manufacturer mentioned below promises to buyers of its new products in addition to their statutory rights of guarantee. Your statutory guarantee claims are not affected by this guarantee. Our guarantee is free of charge to you.
2. The warranty services cover only defects due to material or manufacturing faults on a product which you have bought from the manufacturer mentioned below and are limited to either the rectification of said defects on the product or the replacement of the product, whichever we prefer.
Please note that our devices are not designed for use in commercial, trade or professional applications. A guarantee contract will not be created if the device has been used by commercial, trade or industrial business or has been exposed to similar stresses during the guarantee period.
3. The following are not covered by our guarantee:
 - Damage to the device caused by a failure to follow the assembly instructions or due to incorrect installation, a failure to follow the operating instructions (for example connecting it to an incorrect mains voltage or current type) or a failure to follow the maintenance and safety instructions or by exposing the device to abnormal environmental conditions or by lack of care and maintenance.
 - Damage to the device caused by abuse or incorrect use (for example overloading the device or the use of unapproved tools or accessories), ingress of foreign bodies into the device (such as sand, stones or dust, transport damage), the use of force or damage caused by external forces (for example by dropping it).
 - Damage to the device or parts of the device caused by normal or natural wear or tear or by normal use of the device.
4. The guarantee is valid for a period of 24 months starting from the purchase date of the device. Guarantee claims should be submitted before the end of the guarantee period within two weeks of the defect being noticed. No guarantee claims will be accepted after the end of the guarantee period. The original guarantee period remains applicable to the device even if repairs are carried out or parts are replaced. In such cases, the work performed or parts fitted will not result in an extension of the guarantee period, and no new guarantee will become active for the work performed or parts fitted. This also applies if an on-site service is used.
5. To make a claim under the guarantee, please register the defective device at: www.Einhell-Service.com. Please keep your bill of purchase or other proof of purchase for the new device. Devices that are returned without proof of purchase or without a rating plate shall not be covered by the guarantee, because appropriate identification will not be possible. If the defect is covered by our guarantee, then the item in question will either be repaired immediately and returned to you or we will send you a new replacement.

Of course, we are also happy offer a chargeable repair service for any defects which are not covered by the scope of this guarantee or for units which are no longer covered. To take advantage of this service, please send the device to our service address.

Also refer to the restrictions of this warranty concerning wear parts, consumables and missing parts as set out in the service information in these operating instructions.

