

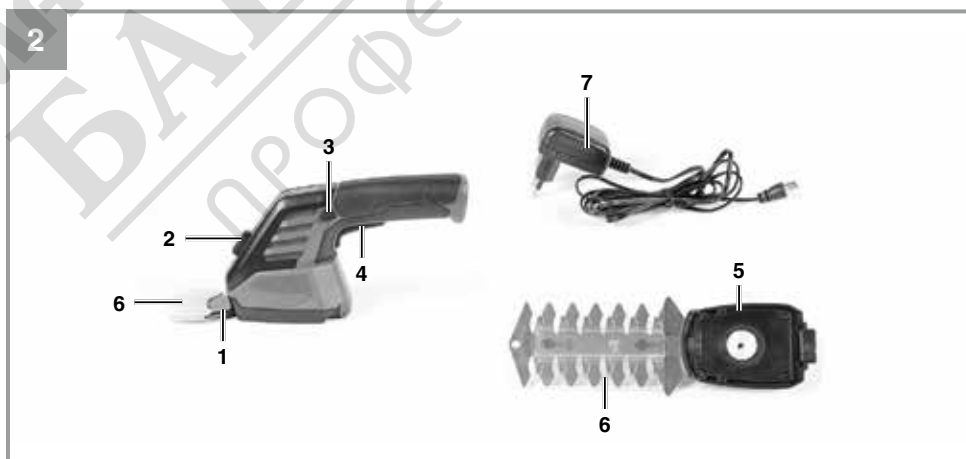
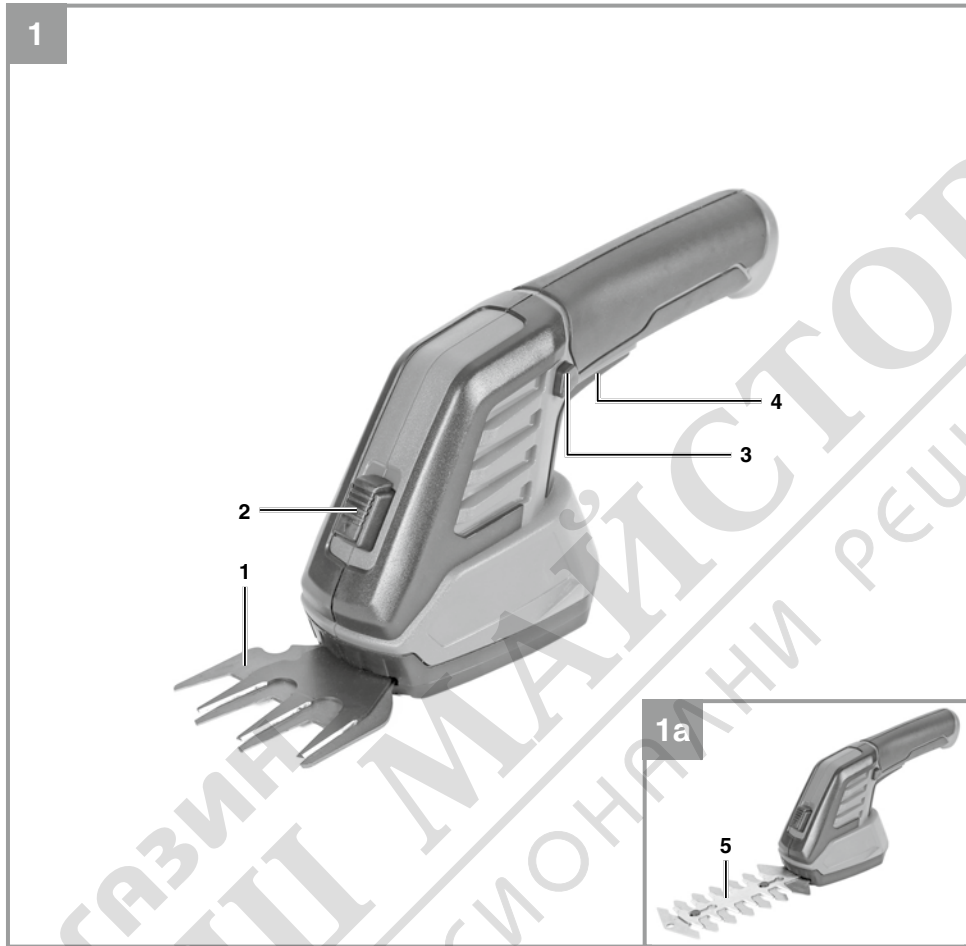
D	Originalbetriebsanleitung Akku-Gras- und Strauchschere	SLO	Originalna navodila za uporabo Akumulatorske škarje za travo in grmičevje
GB	Original operating instructions Cordless grass and shrub shears	H	Eredeti használati utasítás Akku-fű- és bozótolló
F	Instructions d'origine Taille-herbes et taille-haies sans fil	RO	Instrucțiuni de utilizare originale Foarfece de iarbă și boscheți pe acumulatori
I	Istruzioni per l'uso originali Forbici a batteria per erba ed arbusti	GR	Πρωτότυπες Οδηγίες χρήσης Κοπτικό χλοής και θαμνων μαπαριας
DK/ N	Original betjeningsvejledning Akku-græs- og buskklipper	P	Manual de instruções original Aparador de relva e corta-sebes sem fio
S	Original-bruksanvisning Batteridrivnen gräs-/häcksax	HR/ BIH	Originalne upute za uporabu Baterijske škare za travu i grmlje
CZ	Originální návod k obsluze Akumulátorové nůžky na travu a keře	RS	Originalna uputstva za upotrebu Baterijske makaze za travu i žbunje
SK	Originálny návod na obsluhu Akumulátorové nožnice na travu a kríky	PL	Instrukcją oryginalną Akumulatorowe nożyce do trawy i krzewów
NL	Originele handleiding Accugras- en struikschaar	TR	Orijinal Kullanma Talimatı Akülü çim ve çit makası
E	Manual de instrucciones original Tijera cortacésped y recortasetos de batería	EE	Originaalkasutusjuhend Akuga muru- ja põõsakäärid
FIN	Alkuperäiskäyttöohje Akku-ruoho- ja pensassakset		

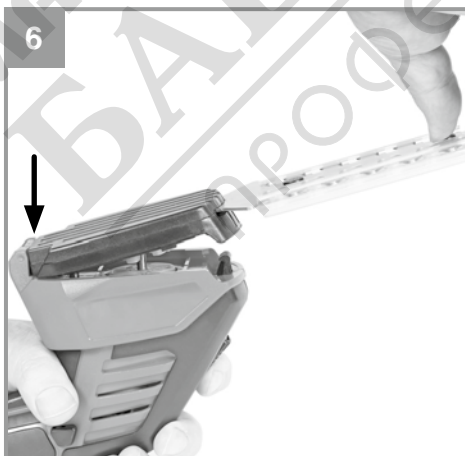
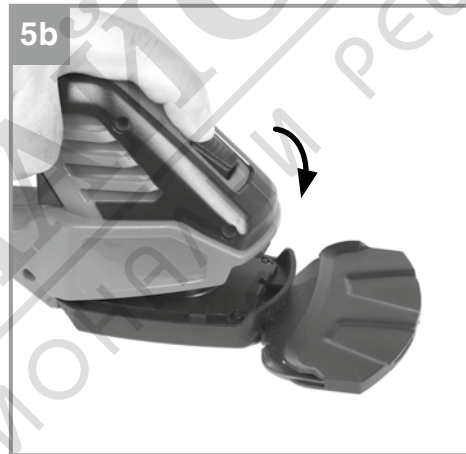
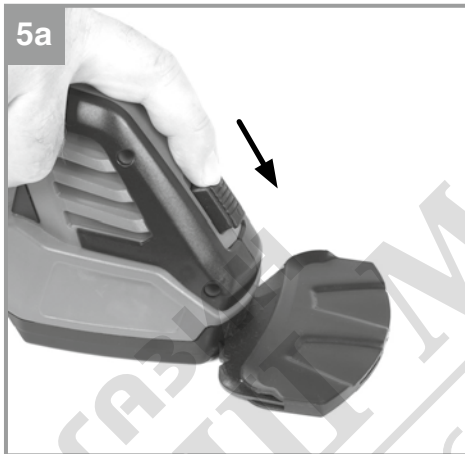
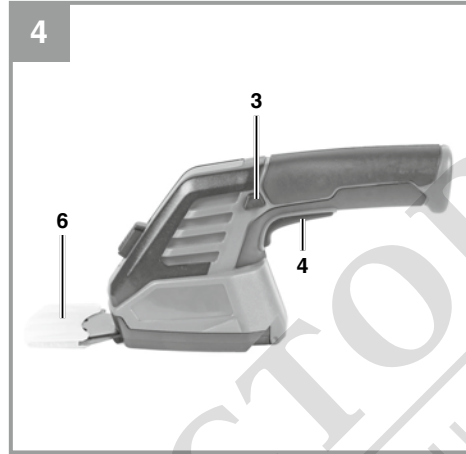
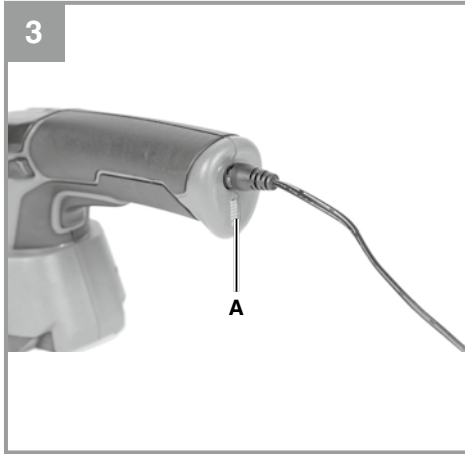
13

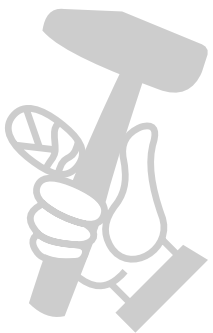
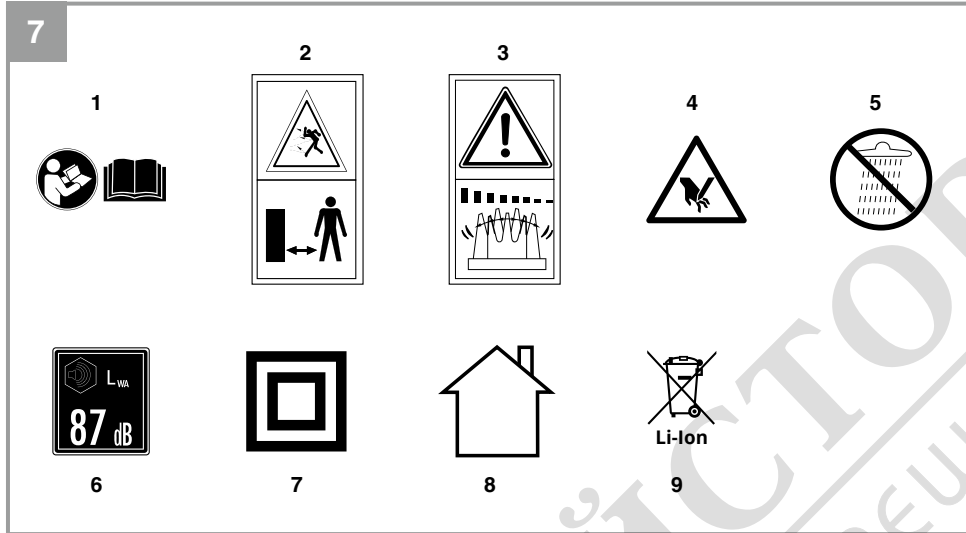


Art.-Nr.: 34.103.65

I.-Nr.: 21011







МАГАЗИН МАЙСТОРА
БАШ МАЙСТОРА
ПРОФЕСІОНАЛНИ РЕШЕННЯ

Danger!

When using the equipment, a few safety precautions must be observed to avoid injuries and damage. Please read the complete operating instructions and safety regulations with due care. Keep this manual in a safe place, so that the information is available at all times. If you give the equipment to any other person, hand over these operating instructions and safety regulations as well. We cannot accept any liability for damage or accidents which arise due to a failure to follow these instructions and the safety instructions.

Explanation of the symbols (see Fig. 7)

1. **Danger!** Read the operating instructions and follow the warnings and safety instructions.
2. Keep all other persons away from the danger zone.
3. **Danger!** The cutter blades continue to run after the motor is switched off. Wait for the blades to come to a standstill. Risk of injury!
4. **Danger!** Keep your hands away from the blade.
5. Protect the equipment from rain and moisture!
6. Guaranteed sound power level
7. Safety class II
8. For use in dry rooms only
9. Never place any rechargeable batteries or cordless electric machines or tools in your household refuse.

1. Safety regulations

The corresponding safety information can be found in the enclosed booklet.

Warning!

Read all the safety information, instructions, illustrations and technical data provided on or with this power tool. Failure to adhere to the following instructions may result in electric shock, fire and/or serious injury.

Keep all the safety information and instructions in a safe place for future use.

This equipment is not intended to be used by children, persons with reduced physical, sensory or mental capacities or with a lack of experience and knowledge, or persons who are not familiar with the instructions. Children should be supervised so that they do not play with the equipment. Children are not allowed to carry out the cleaning or maintenance.

The following applies to the charger:

This equipment can be used by children of 8 years and older and by people with limited physical, sensory or mental capacities or those with no experience and knowledge if they are supervised or have received instruction in how to use the equipment safely and understand the dangers which result from such use. Children are not allowed to play with the equipment. Unless supervised, children are not allowed to clean the equipment and carry out user-level maintenance work.

2. Layout and items supplied**2.1 Layout (Fig. 1/2)**

1. Grass cutter blade
2. Blade release mechanism
3. Safety lock-off
4. On/Off switch
5. Hedge cutter blade
6. Blade guard
7. Charger

2.2 Items supplied

Please check that the article is complete as specified in the scope of delivery. If parts are missing, please contact our service center or the sales outlet where you made your purchase at the latest within 5 working days after purchasing the product and upon presentation of a valid bill of purchase. Also, refer to the warranty table in the service information at the end of the operating instructions.

- Open the packaging and take out the equipment with care.
- Remove the packaging material and any packaging and/or transportation braces (if available).
- Check to see if all items are supplied.
- Inspect the equipment and accessories for transport damage.
- If possible, please keep the packaging until the end of the guarantee period.

Danger!

The equipment and packaging material are not toys. Do not let children play with plastic bags, foils or small parts. There is a danger of swallowing or suffocating!

- Cordless grass and shrub shears (grass cutter blade fitted)
- Hedge cutter blade

- Original operating instructions
- Safety instructions

3. Proper use

Grass shears (Fig. 1):

The equipment is designed for cutting the edges of lawns and small areas of grass in private and hobby gardens.

Shrub shears (Fig. 1a):

The equipment is designed for cutting small hedges and shrubs in private and hobby gardens. Equipment designed for use in private and hobby gardens is regarded as unsuitable for use in public facilities, parks and sports centers, along roadways, or in agriculture and forestry. The operating instructions as supplied by the manufacturer must be obeyed to ensure that the equipment is used properly.

Warning! This equipment must not be used for composting purposes (shredding) as this could result in injury or damage to property.

The machine is to be used only for its prescribed purpose. Any other use is deemed to be a case of misuse. The user / operator and not the manufacturer will be liable for any damage or injuries of any kind caused as a result of this.

Please note that our equipment has not been designed for use in commercial, trade or industrial applications. Our warranty will be voided if the machine is used in commercial, trade or industrial businesses or for equivalent purposes.

4. Technical data

Voltage.....	3.6 V DC
Protection	IPX1
Protection class	III
Speed n_0	1200 rpm
Cutting width grass shears	70 mm
Cutting length shrub shears	110 mm
Cutting thickness shrub shears	8 mm
Sound pressure level L_{pA}	61 dB(A)
Sound power level L_{WA}	81 dB (A)
Uncertainty K	3 dB
Vibration max. a_n	$\leq 2.5 \text{ m/s}^2$
Uncertainty K	1.5 m/s^2

Weight	0.6 kg
Sound pressure level at the operator's ear	77 dB (A)
Uncertainty K	3 dB

Lithium-ion battery

Voltage.....	3.6 V DC
Capacity	2.0 Ah
Number of cells	1

Charger

Input voltage	100-240 V ~ 50/60 Hz
Protection class	□ / II

Output

Rated voltage	5 V DC
Rated current	0.5 A

The stated vibration emission levels and stated noise emission values were measured in accordance with a set of standardized criteria and can be used to compare one power tool with another.

The stated vibration emission levels and stated noise emission values can also be used to make an initial assessment of exposure.

Warning:

The vibration and noise emission levels may vary from the level specified during actual use, depending on the way in which the power tool is used, especially the type of workpiece it is used for.

Limit the operating time!

All stages of the operating cycle must be considered (for example, times in which the electric tools are switched off and times in which the tool is switched on but operates without load).

Keep the noise emissions and vibrations to a minimum.

- Only use appliances which are in perfect working order.
- Service and clean the appliance regularly.
- Adapt your working style to suit the appliance.
- Do not overload the appliance.
- Have the appliance serviced whenever necessary.
- Switch the appliance off when it is not in use.
- Wear protective gloves.

Caution!**Residual risks**

Even if you use this electric power tool in accordance with instructions, certain residual risks cannot be ruled out. The following hazards may arise in connection with the equipment's construction and layout:

1. Cut injuries are possible if no safety clothing is used.
2. Lung damage if no suitable protective dust mask is used.
3. Damage to hearing if no suitable ear protection is used.
4. Health damage caused by hand-arm vibrations if the equipment is used over a prolonged period or is not properly guided and maintained.

5. Before starting the equipment**Charging the rechargeable battery**

- Connect the unit to the charger (Figure 3).
- Check that your mains voltage is the same as that marked on the rating plate.
- The time it takes to fully recharge an empty battery is approximately 3 to 5 hours. The temperature of the battery pack might rise slightly during the charging operation. This is normal.

Charging procedure

Plug the charger in a socket-outlet; a red LED (Fig. 3/Item A) lights up to indicate that charging is in progress. The battery pack is being charged.

Charging completed

The red LED (Fig. 3/Item A) goes out. A green LED lights up in its place (battery charged).

Battery does not charge up

If the battery fails to charge, please check

- whether there is voltage at the socket outlet.
- whether there is good contact at the charging contacts.
- whether the red LED and the green LED (Fig. 3/Item A) light up at the same time. This can happen, for example, if the battery temperature becomes too low or too high. Place the unit in storage at room temperature for one day.

If you still fail to charge the battery pack, please return the complete tool together with the battery charger to our Customer Service Center.

To ensure that items are properly packaged and delivered when you send them to us, please contact our customer service or the point of sale at which the equipment was purchased.

When shipping or disposing of batteries and cordless tools, always ensure that they are packed individually in plastic bags to prevent short circuits and fires.

To ensure that the battery pack provides long service, you should take care to recharge it promptly. You must recharge the battery pack when you notice that the performance of the device drops. Never allow the battery pack to become fully discharged. This will cause it to develop a defect.

Warning! Any foreign bodies must be completely cleared away from the area to be worked on.

Warning!

The switching devices installed on the tool by the manufacturer are not allowed to be removed or bypassed, e.g. by fitting a switching button to the handle, as this may result in risk of injury and the tool will no longer switch off automatically.

6. Operation**6.1 Using the equipment as grass shears**

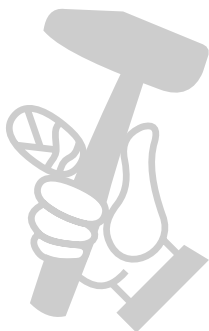
Allow the grass shears to glide over the ground. The best cutting performance is achieved on dry lawns.

The blade guard hood must be pushed over the blade when the unit is not being used.

The grass shears is supplied ready assembled. (Fig. 4) Remove the blade guard hood (Item 6).

6.1.1 Switching on/off.

1. (Fig. 4) To switch on, press the safety lock-off (Item 3) and press the On/Off switch (Item 4) at the same time.
2. To switch off, let go of the On/Off switch.



6.2 Using the equipment as shrub shears

Hold the shrub shears slightly tilted in the direction of the shrub you wish to cut. Start by cutting the sides of the shrub working from the bottom up, and finally cut the top of the shrub. The blade guard hood must be slid over the blade and the rechargeable battery removed when the equipment is not being used.

- Shrubs which loose their leaves in the autumn should be cut in June and October.
- Evergreen shrubs should be cut in April and August.

6.2.1 Assembly

Since the equipment is supplied as grass shears (see section 6.1), the grass cutting blade has to be swapped over for the shrub cutter blade which is supplied with the product. **Caution!** Risk of injury. Use protective gloves and the blade guard hood which is supplied with the equipment.

1. Push the blade release mechanism (Fig. 5a) forward, press down on the upper section (Fig. 5b) and remove the blade at the same time (Fig. 5b).
2. (Fig. 6) Slide the blade housing into the mount on the equipment housing. Push the blade release mechanism forward again, press down on the upper section and press the blade into the lock at the same time. The drive unit on the equipment is now connected to the blade.
3. Remove the blade guard hood.

6.2.2 Switching on/off.

Proceed as described in section 6.1.1.

7. Cleaning, maintenance and ordering of spare parts

Danger!

7.1 Cleaning

- Keep all safety devices, air vents and the motor housing free of dirt and dust as far as possible. Wipe the equipment with a clean cloth or blow it with compressed air at low pressure.
- We recommend that you clean the device immediately each time you have finished using it.
- Clean the equipment regularly with a moist cloth. Do not use cleaning agents or solvents; these could attack the plastic parts of the

equipment. Ensure that no water can seep into the device. The ingress of water into an electric tool increases the risk of an electric shock.

- The shears should be cleaned thoroughly every time before and after use. A few drops of oil (for example sewing machine oil) applied to the blades improve the cutting performance. However, never apply grease to the blades.
- To guarantee a constant exact cut it is necessary that grass residues and dirt are also removed from the top and bottom blades.

7.2 Maintenance

- For good cutting performance the blades should always be sharp. They can be therefore be resharpened with a whetstone. In particular we recommend to remove notches and ridges which are produced on the blades by stones or the like.
- There are no other parts inside the equipment which require maintenance.

7.3 Ordering replacement parts:

Please quote the following data when ordering replacement parts:

- Type of machine
- Article number of the machine
- Identification number of the machine
- Replacement part number of the part required

For our latest prices and information please go to www.Einhell-Service.com

8. Disposal and recycling

The unit is supplied in packaging to prevent its being damaged in transit. This packaging is raw material and can therefore be reused or can be returned to the raw material system.

The unit and its accessories are made of various types of material, such as metal and plastic. Defective components must be disposed of as special waste. Ask your dealer or your local council.

9. Storage and transport

Remove the rechargeable battery. Store the equipment and its accessories in a dark and dry place at above freezing temperature. The ideal storage temperature is between 5 and 30 °C. Store the electric tool in its original packaging.

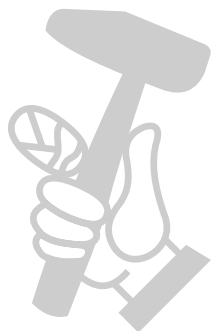
- Always hold the equipment on the handle,
- Secure the equipment against slipping if you transport it in a vehicle.
- As far as possible, use the original packaging for transporting the equipment.
- Use a transport guard for the grass and shrub shears.

10. Faults

The machine does not work

- Check that the battery is charged and that the charger is working.

If the equipment will not work in spite of the voltage supply being OK, please send it to the customer service address below.





For EU countries only

Never place any electric power tools in your household refuse.

To comply with European Directive 2012/19/EU concerning old electric and electronic equipment and its implementation in national laws, old electric power tools have to be separated from other waste and disposed of in an environment-friendly fashion, e.g. by taking to a recycling depot.

Recycling alternative to the return request:

As an alternative to returning the equipment to the manufacturer, the owner of the electrical equipment must make sure that the equipment is properly disposed of if he no longer wants to keep the equipment. The old equipment can be returned to a suitable collection point that will dispose of the equipment in accordance with the national recycling and waste disposal regulations. This does not apply to any accessories or aids without electrical components supplied with the old equipment.

Please note that batteries and lamps (e.g. light bulbs) must be removed from the tool before it is disposed of.

The reprinting or reproduction by any other means, in whole or in part, of documentation and papers accompanying products is permitted only with the express consent of the Einhell Germany AG.

Subject to technical changes

This consignment contains lithium-ion batteries.

In accordance with special provision 188 this consignment is not subject to the ADR regulations. Handle with care. Danger of ignition in case of damage to the consignment package. If the consignment package is damaged: Check and if necessary repackage.

For further information contact: 0049 9951 95920-66. Outside Germany charges will apply instead for a regular call to a landline number in Germany.



Service information

We have competent service partners in all countries named on the guarantee certificate whose contact details can also be found on the guarantee certificate. These partners will help you with all service requests such as repairs, spare and wearing part orders or the purchase of consumables.

Please note that the following parts of this product are subject to normal or natural wear and that the following parts are therefore also required for use as consumables.

Category	Example
Wear parts*	Carbon brushes, Battery
Consumables*	Blade
Missing parts	

* Not necessarily included in the scope of delivery!

In the effect of defects or faults, please register the problem on the internet at www.Einhell-Service.com. Please ensure that you provide a precise description of the problem and answer the following questions in all cases:

- Did the equipment work at all or was it defective from the beginning?
- Did you notice anything (symptom or defect) prior to the failure?
- What malfunction does the equipment have in your opinion (main symptom)? Describe this malfunction.



Warranty certificate

Dear Customer,

All of our products undergo strict quality checks to ensure that they reach you in perfect condition. In the unlikely event that your device develops a fault, please contact our service department at the address shown on this guarantee card. You can also contact us by telephone using the service number shown.

Please note the following terms under which guarantee claims can be made:

1. These guarantee terms apply to consumers only, i.e. natural persons intending to use this product neither for their commercial activities nor for any other self-employed activities. These warranty terms regulate additional warranty services, which the manufacturer mentioned below promises to buyers of its new products in addition to their statutory rights of guarantee. Your statutory guarantee claims are not affected by this guarantee. Our guarantee is free of charge to you.
2. The warranty services cover only defects due to material or manufacturing faults on a product which you have bought from the manufacturer mentioned below and are limited to either the rectification of said defects on the product or the replacement of the product, whichever we prefer.
Please note that our devices are not designed for use in commercial, trade or professional applications. A guarantee contract will not be created if the device has been used by commercial, trade or industrial business or has been exposed to similar stresses during the guarantee period.
3. The following are not covered by our guarantee:
 - Damage to the device caused by a failure to follow the assembly instructions or due to incorrect installation, a failure to follow the operating instructions (for example connecting it to an incorrect mains voltage or current type) or a failure to follow the maintenance and safety instructions or by exposing the device to abnormal environmental conditions or by lack of care and maintenance.
 - Damage to the device caused by abuse or incorrect use (for example overloading the device or the use of unapproved tools or accessories), ingress of foreign bodies into the device (such as sand, stones or dust, transport damage), the use of force or damage caused by external forces (for example by dropping it).
 - Damage to the device or parts of the device caused by normal or natural wear or tear or by normal use of the device.
4. The guarantee is valid for a period of 24 months starting from the purchase date of the device. Guarantee claims should be submitted before the end of the guarantee period within two weeks of the defect being noticed. No guarantee claims will be accepted after the end of the guarantee period. The original guarantee period remains applicable to the device even if repairs are carried out or parts are replaced. In such cases, the work performed or parts fitted will not result in an extension of the guarantee period, and no new guarantee will become active for the work performed or parts fitted. This also applies if an on-site service is used.
5. To make a claim under the guarantee, please register the defective device at: www.Einhell-Service.com. Please keep your bill of purchase or other proof of purchase for the new device. Devices that are returned without proof of purchase or without a rating plate shall not be covered by the guarantee, because appropriate identification will not be possible. If the defect is covered by our guarantee, then the item in question will either be repaired immediately and returned to you or we will send you a new replacement.

Of course, we are also happy offer a chargeable repair service for any defects which are not covered by the scope of this guarantee or for units which are no longer covered. To take advantage of this service, please send the device to our service address.

Also refer to the restrictions of this warranty concerning wear parts, consumables and missing parts as set out in the service information in these operating instructions.

