



GC-CG 18/1 Li

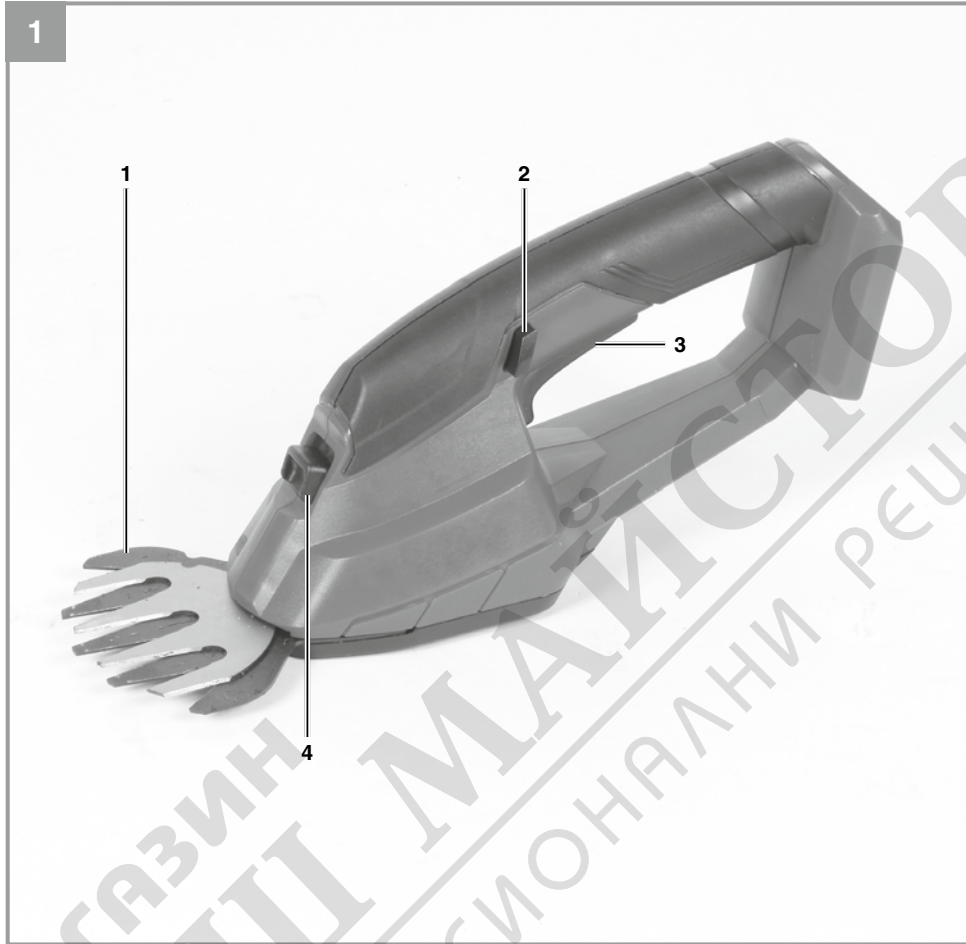


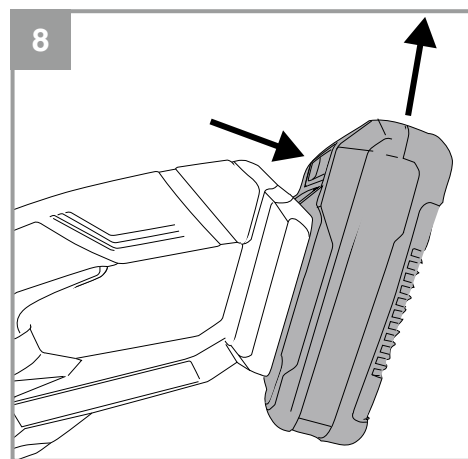
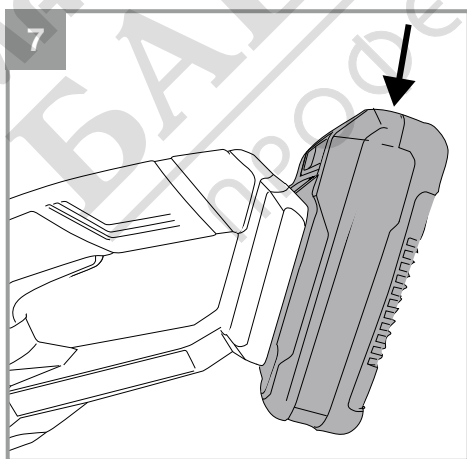
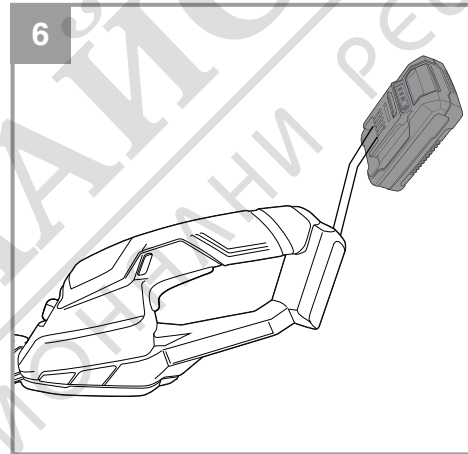
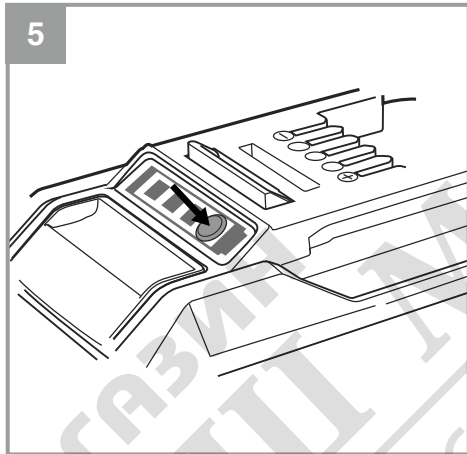
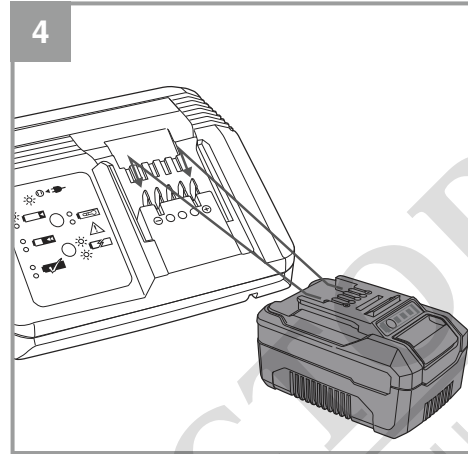
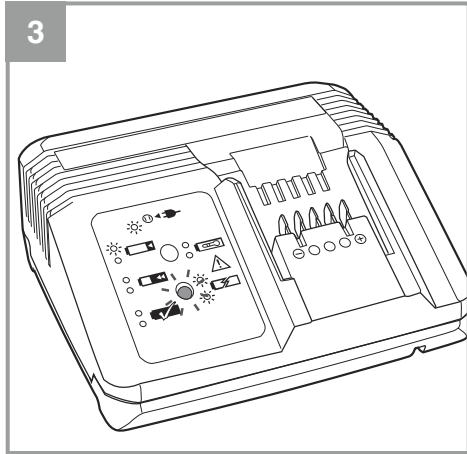
- D Originalbetriebsanleitung  
Akku-Grasschere
- GB Original operating instructions  
Cordless grass shears
- F Instructions d'origine  
Taille-herbes sans fil
- I Istruzioni per l'uso originali  
Forbici per erba a batteria
- DK/ Original betjeningsvejledning  
N Akku-græsklipper
- S Original-bruksanvisning  
Batteridreven græssax
- NL Originele handleiding  
Accugrasschaar
- E Manual de instrucciones original  
Tijera cortacésped de batería
- FIN Alkuperäiskäyttöohje  
Akkuruohosakset
- RUS Оригинальное руководство по  
эксплуатации  
Аккумуляторные газонные  
ножницы

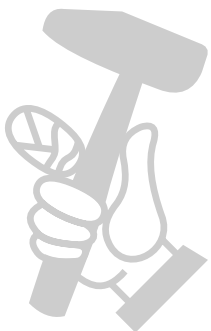
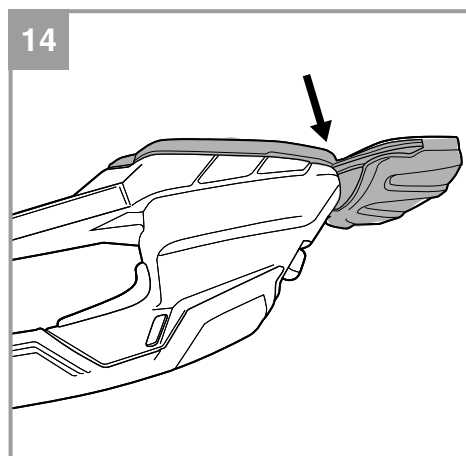
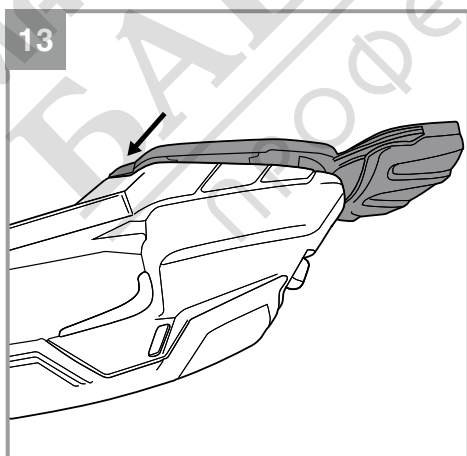
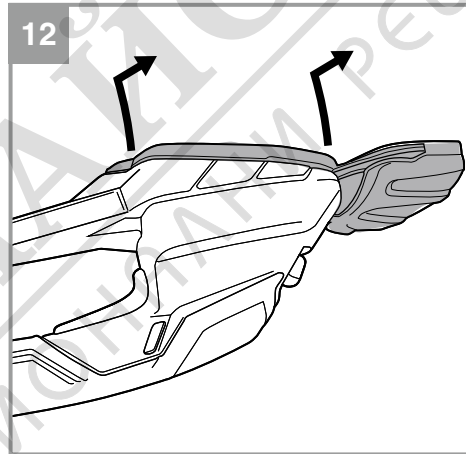
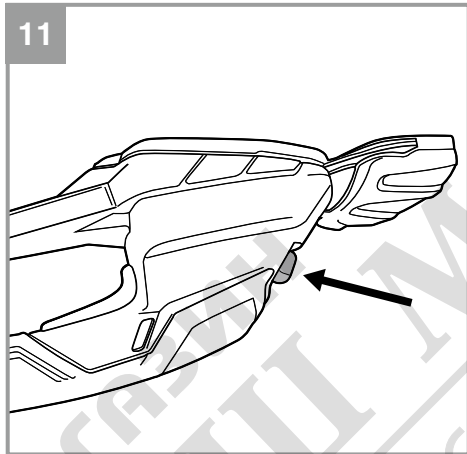
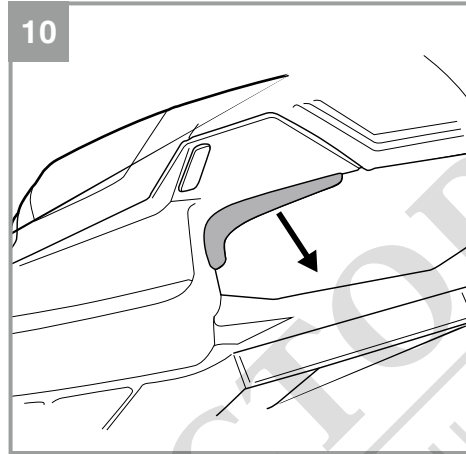
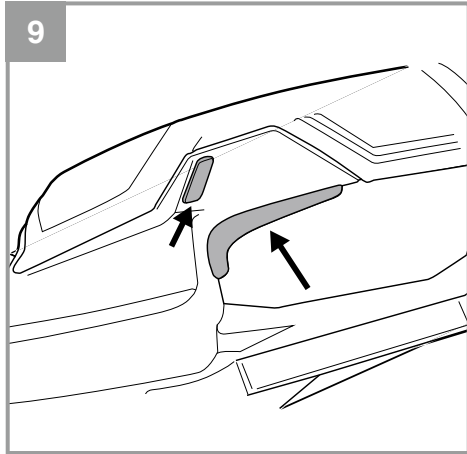


Art.-Nr.: 34.103.82 (Solo)

I.-Nr.: 21021









**Danger!** - Read the operating instructions to reduce the risk of injury



Keep all other persons away from the danger zone.



Protect the tool from the damp and never expose it to rain.



Important! The cutter blades continue to run after the motor is switched off. Wait for the blades to come to a standstill. Risk of injury!



Guaranteed sound power level



Store the battery only in dry rooms with an ambient temperature of +10°C to +40°C. Place only charged batteries in storage (charged at least 40%-60%).



Protection class II



For use in dry rooms only.

**Danger!**

When using the equipment, a few safety precautions must be observed to avoid injuries and damage. Please read the complete operating instructions and safety regulations with due care. Keep this manual in a safe place, so that the information is available at all times. If you give the equipment to any other person, hand over these operating instructions and safety regulations as well. We cannot accept any liability for damage or accidents which arise due to a failure to follow these instructions and the safety instructions.

**1. Safety regulations**

The corresponding safety information can be found in the enclosed booklet.

**Danger!****Read all safety regulations and instructions.**

Any errors made in following the safety regulations and instructions may result in an electric shock, fire and/or serious injury.

**Keep all safety regulations and instructions in a safe place for future use.**

Familiarize yourself with the operator controls and proper operation of the machine. Local regulations may set minimum age requirements for the user. Always keep in mind that the operator or user of the equipment is responsible for accidents or risks involving other persons or their property. Never use the machine with safety devices which are damaged or fitted in the wrong position. Beware of injuries to your feet and hands by the cutting mechanism. Use only spare parts and accessories which are recommended by the manufacturer.

**2. Layout and items supplied****2.1 Layout (Fig. 1/2)**

1. Grass cutter blade
2. Safety lock-offs
3. On/Off switch
4. Blade release mechanism
5. Blade guard for grass cutter blade

**2.2 Items supplied**

Please check that the article is complete as specified in the scope of delivery. If parts are missing, please contact our service center or the

sales outlet where you made your purchase at the latest within 5 working days after purchasing the product and upon presentation of a valid bill of purchase. Also, refer to the warranty table in the service information at the end of the operating instructions.

- Open the packaging and take out the equipment with care.
- Remove the packaging material and any packaging and/or transportation braces (if available).
- Check to see if all items are supplied.
- Inspect the equipment and accessories for transport damage.
- If possible, please keep the packaging until the end of the guarantee period.

**Danger!**

**The equipment and packaging material are not toys. Do not let children play with plastic bags, foils or small parts. There is a danger of swallowing or suffocating!**

- Cordless grass shears
- Original operating instructions
- Safety instructions

**3. Proper use**

The equipment is designed for cutting the edges of lawns and small areas of grass in private and hobby gardens.

Tools for private and hobby gardens are not suitable for use in public facilities, parks and sport centers, along roadways, on farms or in the forestry sector. For the tool to be used properly it is imperative to follow the instructions set out in the manufacturer's directions for use.

**Warning! It is prohibited to use the tool to chop material for composting because of the potential danger to persons and property.**

The machine is to be used only for its prescribed purpose. Any other use is deemed to be a case of misuse. The user / operator and not the manufacturer will be liable for any damage or injuries of any kind caused as a result of this.

Please note that our equipment has not been designed for use in commercial, trade or industrial applications. Our warranty will be voided if the

machine is used in commercial, trade or industrial businesses or for equivalent purposes.

#### 4. Technical data

Speed $n_0$ :	1200 rpm
Cutting width of the grass cutter:	100 mm
$L_{pA}$ sound pressure level:	63.4 dB (A)
$L_{WA}$ sound power level:	83.4 dB (A)
K uncertainty:	2.09 dB (A)
Vibration $a_n$ :	$\leq 2.5 \text{ m/s}^2$
Weight:	0.66 kg
Sound pressure level at the operator's ear:	72 dB (A)
K uncertainty:	3 dB (A)

#### Important!

The equipment is supplied without batteries and without a charger is allowed to be used only with the lithium-ion batteries of the Power-X-Change series!

The lithium-ion batteries of the Power-X-Change series are allowed to be charged only with the Power-X charger.

The vibration emission level has been measured in accordance with a set of standardized criteria and can be used to compare one power tool with another.

- The specified emission level can also be used to make an initial assessment of the exposure to vibrations.
- The vibration emission level may vary from the level specified during actual use, depending on the way in which the power tool is used.
- Try to keep the impact from vibrations as low as possible. Exposure to vibrations can be reduced by wearing gloves when using the tool, for example, and by limiting the amount of operating time. This includes the full cycle of operation (e.g. times when the power tool is switched off and times when the tool is switched on but no working load is applied).

#### Keep the noise emissions and vibrations to a minimum.

- Only use appliances which are in perfect working order.
- Service and clean the appliance regularly.
- Adapt your working style to suit the appliance.

- Do not overload the appliance.
- Have the appliance serviced whenever necessary.
- Switch the appliance off when it is not in use.
- Wear protective gloves.

#### Caution!

##### Residual risks

**Even if you use this electric power tool in accordance with instructions, certain residual risks cannot be ruled out. The following hazards may arise in connection with the equipment's construction and layout:**

1. Lung damage if no suitable protective dust mask is used.
2. Damage to hearing if no suitable ear protection is used.
3. Health damage caused by hand-arm vibrations if the equipment is used over a prolonged period or is not properly guided and maintained.

#### 5. Before starting the equipment

**The equipment is supplied without batteries and without a charger.**

##### 5.1 Charging the battery (Fig. 3-4)

1. Check that your mains voltage is the same as that marked on the rating plate of the battery charger. Insert the power plug of the charger into the mains socket outlet. The green LED will then begin to flash.
2. Insert the battery pack into the battery charger.
3. In section "Charger indicator" you will find a table with an explanation of the LED indicator on the charger.

The battery pack can become a little warm during the charging. This is normal.

If the battery pack fails to charge, check:

- whether there is voltage at the socket outlet
- whether there is good contact at the charging contacts

If the battery pack still fails to charge, send

- the charging unit
  - and the battery pack
- to our customer service center.

**To ensure that items are properly packaged and delivered when you send them to us, please contact our customer service or the point of sale at which the equipment was purchased.**

**When shipping or disposing of batteries and cordless tools, always ensure that they are packed individually in plastic bags to prevent short circuits and fires.**

To ensure that the battery pack provides long service, you should take care to recharge it promptly. You must recharge the battery pack when you notice that the performance of the device drops. Never allow the battery pack to become fully discharged. This will cause it to develop a defect.

#### **5.2 Battery capacity indicator (Fig. 5)**

Press the switch for the battery capacity indicator. The battery capacity indicator shows the charge status of the battery using 3 LEDs.

##### **All 3 LEDs are lit:**

The battery is fully charged.

##### **2 or 1 LED(s) are lit:**

The battery has an adequate remaining charge.

##### **1 LED flashes:**

The battery is empty, recharge the battery.

##### **All LEDs flash:**

The battery pack has undergone exhaustive discharge and is defective. Do not use or charge a defective battery pack.

#### **5.3 Installing the battery (Fig. 6-7)**

Push the battery into the battery mount provided. When the battery is positioned as in Fig. 7, make sure that the pushlock button latches in place! To remove the battery, press the pushlock button and take out the battery (Fig. 8).

## **6. Operation**

The area to be cut must first be cleared of stones and other solid objects. The safety lock-off (Fig. 1/ Item 2) prevents the tool being started unintentionally.

#### **Switching on (Fig. 9)**

Activate the safety lock-off by pressing it and pressing the ON/OFF switch at the same time.

#### **Switching off (Fig. 10)**

To switch off the equipment, let go of the ON/OFF switch.

#### **6.1 Cutting grass**

Allow the grass cutter to glide above the ground. The best results are achieved when the lawn is dry.

When you notice a drop in cutting performance, re-charge the tool immediately so that the battery does not become fully discharged.

#### **6.2 Changing the blades**

##### **Warning! Risk of injury!**

**To prevent injuries, slide the blade guard over the blade.**

To remove the blade, press the release mechanism (Fig. 11) and take out the blade as shown in Fig. 12.

Once you have removed the blade you will be able to see the toothed wheels of the gear unit. Make sure that no dirt gets into the gear unit when you change the blade.

To assemble, proceed in the reverse order.

**Caution!** The blade will fall out when the release mechanism is pressed (Fig. 11)!

#### **Fitting the blade (Fig. 13-14)**

Insert the narrow side of the blade housing in the equipment housing. Press the blade release mechanism and then the blade housing against the equipment housing until it makes an audible click.

## **7. Cleaning, maintenance and ordering of spare parts**

### **Danger!**

Remove the rechargeable battery/batteries.

#### **7.1 Cleaning**

- Keep all safety devices, air vents and the motor housing free of dirt and dust as far as possible. Wipe the equipment with a clean cloth or blow it with compressed air at low pressure.
- We recommend that you clean the device immediately each time you have finished using it.
- Clean the equipment regularly with a moist cloth and some soft soap. Do not use cleaning agents or solvents; these could attack the plastic parts of the equipment. En-



- To ensure constant exact cutting it is also important to remove grass remnants and dirt from between the upper and lower blade.

**Caution!**

**Never clean the tool under running water - and particularly never with high pressure - because of the potential danger to persons and property. Keep your cordless grass cutter and hedge trimmer in a dry and frost-proof place. Choose a place that children are unable to enter.**

**7.2 Maintenance**

- To achieve good results you should keep the blades sharp at all times. In particular we recommend that you immediately level off any jags or ridges caused by stones or the like. The tool should be thoroughly cleaned both before and after use.
- There are no parts inside the equipment which require additional maintenance.

**7.3 Ordering replacement parts:**

Please quote the following data when ordering replacement parts:

- Type of machine
- Article number of the machine
- Identification number of the machine
- Replacement part number of the part required

For our latest prices and information please go to [www.Einhell-Service.com](http://www.Einhell-Service.com)

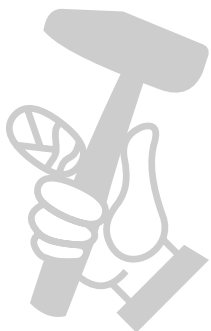
**8. Disposal and recycling**

The unit is supplied in packaging to prevent its being damaged in transit. This packaging is raw material and can therefore be reused or can be returned to the raw material system.

The unit and its accessories are made of various types of material, such as metal and plastic. Defective components must be disposed of as special waste. Ask your dealer or your local council.

**9. Faults****The device does not operate:**

Check whether the rechargeable battery is charged and whether the battery charger works. If the device still does not work even with a voltage supply, please send it to our customer services department at the address indicated.



## 10. Charger indicator

Indicator status		Explanations and actions
Red LED	Green LED	
Off	Flashing	<b>Ready for use</b> The charger is connected to the mains and is ready for use; there is no battery pack in the charger
On	Off	<b>Charging</b> The charger is charging the battery pack in quick charge mode. The charging times are shown directly on the charger. Important! The actual charging times may vary slightly from the stated charging times depending on the existing battery charge.
Off	On	<b>The battery is charged and ready for use.</b> The unit then changes over to gentle charging mode until the battery is fully charged. To do this, leave the rechargeable battery on the charger for approx. 15 minutes longer. <b>Action:</b> Take the battery pack out of the charger. Disconnect the charger from the mains supply.
Flashing	Off	<b>Adapted charging</b> The charger is in gentle charging mode. For safety reasons the charging is performed less quickly and takes more time. The reasons can be: - The rechargeable battery has not been used for a very long time. - The battery temperature is outside the ideal range. <b>Action:</b> Wait for the charging to be completed; you can still continue to charge the battery pack.
Flashing	Flashing	<b>Fault</b> Charging is no longer possible. The battery pack is defective. <b>Action:</b> Never charge a defective battery pack. Take the battery pack out of the charger.
On	On	<b>Temperature fault</b> The battery pack is too hot (e.g. due to direct sunshine) or too cold (below 0° C). <b>Action:</b> Remove the battery pack and keep it at room temperature (approx. 20° C) for one day .



For EU countries only

Never place any electric power tools in your household refuse.

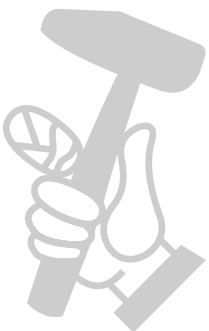
To comply with European Directive 2012/19/EC concerning old electric and electronic equipment and its implementation in national laws, old electric power tools have to be separated from other waste and disposed of in an environment-friendly fashion, e.g. by taking to a recycling depot.

Recycling alternative to the return request:

As an alternative to returning the equipment to the manufacturer, the owner of the electrical equipment must make sure that the equipment is properly disposed of if he no longer wants to keep the equipment. The old equipment can be returned to a suitable collection point that will dispose of the equipment in accordance with the national recycling and waste disposal regulations. This does not apply to any accessories or aids without electrical components supplied with the old equipment.

The reprinting or reproduction by any other means, in whole or in part, of documentation and papers accompanying products is permitted only with the express consent of the Einhell Germany AG.

Subject to technical changes



## Service information

We have competent service partners in all countries named on the guarantee certificate whose contact details can also be found on the guarantee certificate. These partners will help you with all service requests such as repairs, spare and wearing part orders or the purchase of consumables.

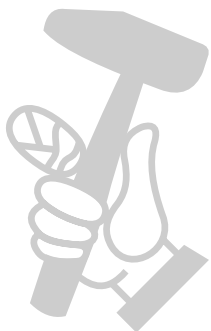
Please note that the following parts of this product are subject to normal or natural wear and that the following parts are therefore also required for use as consumables.

Category	Example
Wear parts*	Carbon brushes, Battery
Consumables*	Blade
Missing parts	

\* Not necessarily included in the scope of delivery!

In the effect of defects or faults, please register the problem on the internet at [www.Einhell-Service.com](http://www.Einhell-Service.com). Please ensure that you provide a precise description of the problem and answer the following questions in all cases:

- Did the equipment work at all or was it defective from the beginning?
- Did you notice anything (symptom or defect) prior to the failure?
- What malfunction does the equipment have in your opinion (main symptom)? Describe this malfunction.



## Warranty certificate

Dear Customer,

All of our products undergo strict quality checks to ensure that they reach you in perfect condition. In the unlikely event that your device develops a fault, please contact our service department at the address shown on this guarantee card. You can also contact us by telephone using the service number shown.

Please note the following terms under which guarantee claims can be made:

1. These guarantee terms apply to consumers only, i.e. natural persons intending to use this product neither for their commercial activities nor for any other self-employed activities. These warranty terms regulate additional warranty services, which the manufacturer mentioned below promises to buyers of its new products in addition to their statutory rights of guarantee. Your statutory guarantee claims are not affected by this guarantee. Our guarantee is free of charge to you.
2. The warranty services cover only defects due to material or manufacturing faults on a product which you have bought from the manufacturer mentioned below and are limited to either the rectification of said defects on the product or the replacement of the product, whichever we prefer.  
Please note that our devices are not designed for use in commercial, trade or professional applications. A guarantee contract will not be created if the device has been used by commercial, trade or industrial business or has been exposed to similar stresses during the guarantee period.
3. The following are not covered by our guarantee:
  - Damage to the device caused by a failure to follow the assembly instructions or due to incorrect installation, a failure to follow the operating instructions (for example connecting it to an incorrect mains voltage or current type) or a failure to follow the maintenance and safety instructions or by exposing the device to abnormal environmental conditions or by lack of care and maintenance.
  - Damage to the device caused by abuse or incorrect use (for example overloading the device or the use of unapproved tools or accessories), ingress of foreign bodies into the device (such as sand, stones or dust, transport damage), the use of force or damage caused by external forces (for example by dropping it).
  - Damage to the device or parts of the device caused by normal or natural wear or tear or by normal use of the device.
4. The guarantee is valid for a period of 24 months starting from the purchase date of the device. Guarantee claims should be submitted before the end of the guarantee period within two weeks of the defect being noticed. No guarantee claims will be accepted after the end of the guarantee period. The original guarantee period remains applicable to the device even if repairs are carried out or parts are replaced. In such cases, the work performed or parts fitted will not result in an extension of the guarantee period, and no new guarantee will become active for the work performed or parts fitted. This also applies if an on-site service is used.
5. To make a claim under the guarantee, please register the defective device at: [www.Einhell-Service.com](http://www.Einhell-Service.com). Please keep your bill of purchase or other proof of purchase for the new device. Devices that are returned without proof of purchase or without a rating plate shall not be covered by the guarantee, because appropriate identification will not be possible. If the defect is covered by our guarantee, then the item in question will either be repaired immediately and returned to you or we will send you a new replacement.

Of course, we are also happy offer a chargeable repair service for any defects which are not covered by the scope of this guarantee or for units which are no longer covered. To take advantage of this service, please send the device to our service address.

Also refer to the restrictions of this warranty concerning wear parts, consumables and missing parts as set out in the service information in these operating instructions.

