

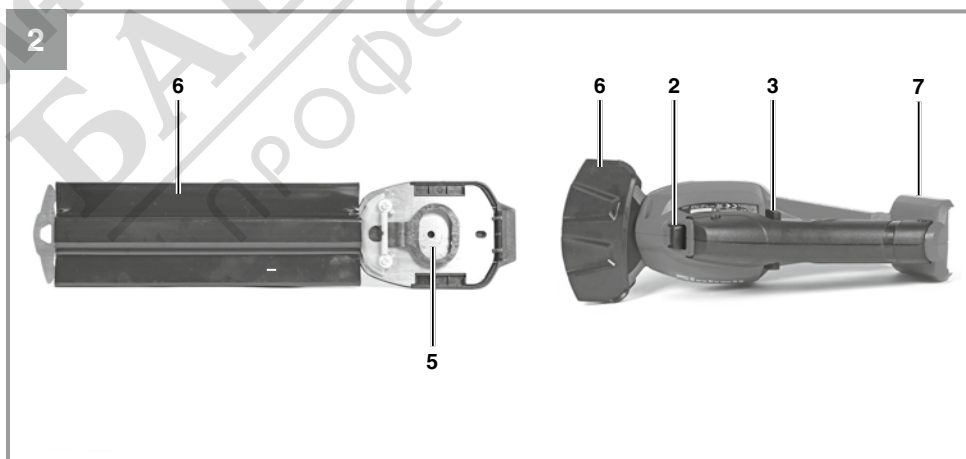
D	Originalbetriebsanleitung Akku-Gras- und Strauchscherer	SLO	Originalna navodila za uporabo Akumulatorske škarje za travo in grmičevje
GB	Original operating instructions Cordless grass and shrub shears	H	Eredeti használati utasítás Akku-fű- és bozótolló
F	Instructions d'origine Taille-herbes et taille-haies sans fil	RO	Instrucțiuni de utilizare originale Foarfece de iarbă și boscheți pe acumulatori
I	Istruzioni per l'uso originali Forbici a batteria per erba ed arbusti	GR	Πρωτότυπες Οδηγίες χρήσης Κοπτικό χλοής και θαμνων μαπαριας
DK/ N	Original betjeningsvejledning Akku-græs- og buskklipper	P	Manual de instruções original Aparador de relva e corta-sebes sem fio
S	Original-bruksanvisning Batteridrivnen gräs-/häcksax	HR/ BIH	Originalne upute za uporabu Baterijske škare za travu i grmlje
CZ	Originální návod k obsluze Akumulátorové nůžky na travu a keře	RS	Originalna uputstva za upotrebu Baterijske makaze za travu i žbunje
SK	Originálny návod na obsluhu Akumulátorové nožnice na travu a kríky	PL	Instrukcją oryginalną Akumulatorowe nożyce do trawy i krzewów
NL	Originele handleiding Accugras- en struikschaar	TR	Orijinal Kullanma Talimatı Akülü çim ve çit makası
E	Manual de instrucciones original Tijera cortacésped y recortasetos de batería	RUS	Оригинальное руководство по эксплуатации Аккумуляторные ножницы для газона и кустарника
FIN	Alkuperäiskäyttöohje Akku-ruoho-ja pensassakset		

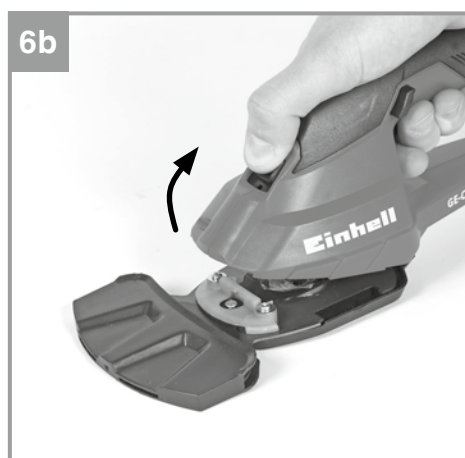
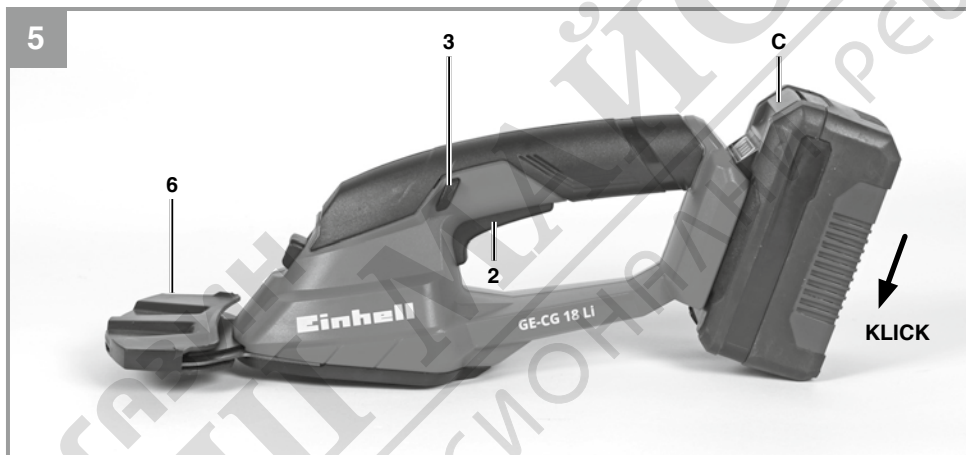
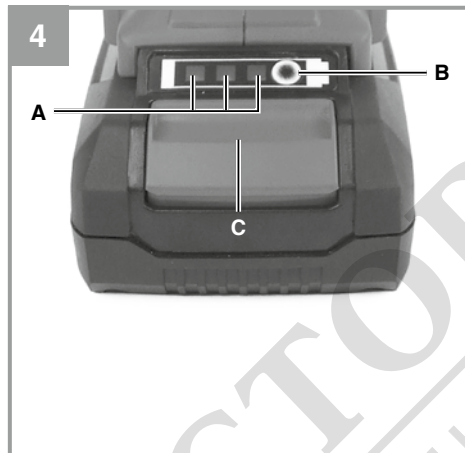
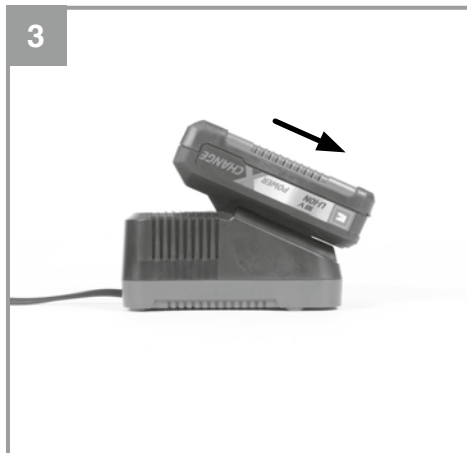
13

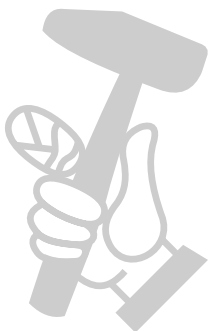
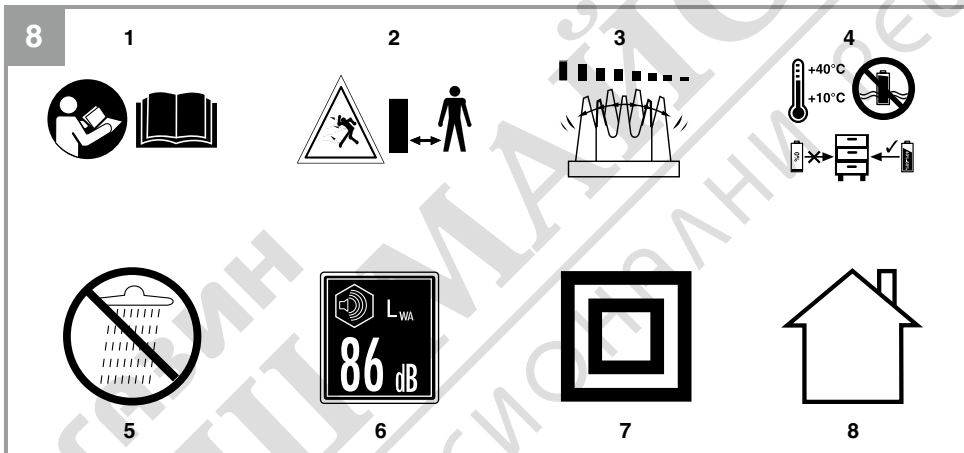
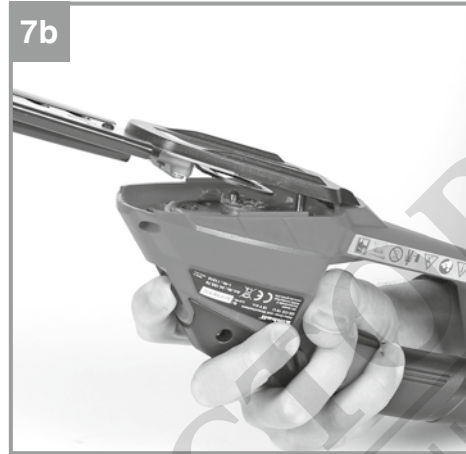
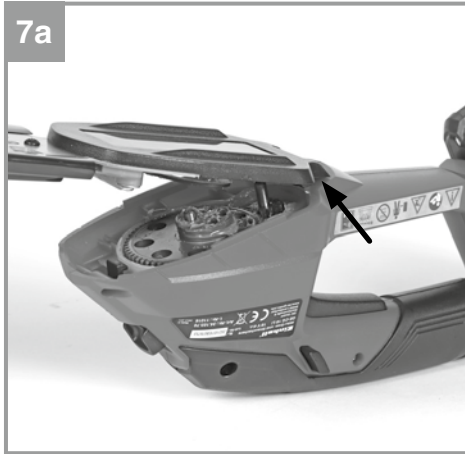


Art.-Nr.: 34.103.70

I.-Nr.: 21021







**Danger!**

When using the equipment, a few safety precautions must be observed to avoid injuries and damage. Please read the complete operating instructions and safety regulations with due care. Keep this manual in a safe place, so that the information is available at all times. If you give the equipment to any other person, hand over these operating instructions and safety regulations as well. We cannot accept any liability for damage or accidents which arise due to a failure to follow these instructions and the safety instructions.

**Explanation of the symbols (see Fig. 8)**

1. **Danger!** Read the operating instructions and follow the warnings and safety instructions.
2. Keep all other persons away from the danger zone.
3. **Danger!** The cutter blades continue to run after the motor is switched off. Wait for the blades to come to a standstill. Risk of injury!
4. Store the battery only in dry rooms with an ambient temperature of +10°C to +40°C. Place only charged batteries in storage (charged at least 40 to 60%).
5. Protect the tool from the damp and never expose it to rain.
6. Guaranteed sound power level
7. Safety class II
8. For use in dry rooms only.

**1. Safety regulations**

The corresponding safety information can be found in the enclosed booklet.

**WARNING!**

**Read all safety warnings, instructions, illustrations and specifications provided with this power tool.** Failure to follow all instructions listed below may result in electric shock, fire and/or serious injury.

**Save all warnings and instructions for future reference.**

This appliance is not intended for use by persons (including children) with reduced physical, sensory or mental capabilities, or lack of experience and knowledge, unless they have been given supervision or instruction concerning use of the appliance by a person responsible for their safety. Children should be supervised to ensure that they do not play with the appliance.

**2. Layout and items supplied****2.1 Layout (Fig. 1/2)**

1. Grass cutter blade
2. Blade release mechanism
3. Safety lock-off
4. On/Off switch
5. Shrub cutter blade
6. Grass cutter blade guard
7. Shrub cutter blade guard

**2.2 Items supplied**

Please check that the article is complete as specified in the scope of delivery. If parts are missing, please contact our service center or the sales outlet where you made your purchase at the latest within 5 working days after purchasing the product and upon presentation of a valid bill of purchase. Also, refer to the warranty table in the service information at the end of the operating instructions.

- Open the packaging and take out the equipment with care.
- Remove the packaging material and any packaging and/or transportation braces (if available).
- Check to see if all items are supplied.
- Inspect the equipment and accessories for transport damage.
- If possible, please keep the packaging until the end of the guarantee period.

**Danger!**

**The equipment and packaging material are not toys. Do not let children play with plastic bags, foils or small parts. There is a danger of swallowing or suffocating!**

- Cordless grass and shrub shears
- Original operating instructions
- Safety instructions

**3. Proper use****Grass shears:**

The tool is designed for cutting the edges of lawns and small areas of grass in private and hobby gardens.

**Shrub shears:**

The tool is designed for cutting small hedges and shrubs in private and hobby gardens. Tools designed for use in private and hobby gardens are

regarded as unsuitable for use in public facilities, parks and sports centers, along roadways, or in agriculture and forestry. The operating instructions supplied by the manufacturer must be obeyed to ensure that the tool is used properly.

**Warning! This tool must not be used for composting purposes (shredding) as this could result in injury to persons and damage to property.**

The equipment is to be used only for its prescribed purpose. Any other use is deemed to be a case of misuse. The user / operator and not the manufacturer will be liable for any damage or injuries of any kind caused as a result of this.

Please note that our equipment has not been designed for use in commercial, trade or industrial applications. Our warranty will be voided if the machine is used in commercial, trade or industrial businesses or for equivalent purposes.

#### 4. Technical data

Speed $n_0$ .....	1200 min <sup>-1</sup>
Cutting width of grass shears .....	100 mm
Cutting length of shrub shears .....	200 mm
Cutting thickness of shrub shears .....	8 mm
Sound pressure level $L_{pA}$ .....	63.4 dB(A)
Sound power level $L_{WA}$ .....	83.4 dB(A)
Uncertainty K .....	2.09 dB
Vibration max. $a_h$ .....	≤ 2.5 m/s <sup>2</sup>
Uncertainty K .....	1.5 m/s <sup>2</sup>
Weight .....	0.66 kg
Sound pressure level at the operator's ear .....	72 dB(A)
Uncertainty K .....	3 dB

**Important!** The tool is supplied without rechargeable batteries and without a charger, and is allowed to be used only with lithium-ion batteries from the Power-X-Change series.

The lithium-ion batteries of the Power-X-Change series are allowed to be charged only with the Power-X charger.

- The stated vibration emission levels and stated noise emission values were measured in accordance with a set of standardized criteria and can be used to compare one power tool

with another.

- The stated vibration emission levels and stated noise emission values can also be used to make an initial assessment of exposure.

#### Warning:

The vibration and noise emission levels may vary from the level specified during actual use, depending on the way in which the power tool is used, especially the type of workpiece it is used for.

#### Keep the noise emissions and vibrations to a minimum.

- Only use appliances which are in perfect working order.
- Service and clean the appliance regularly.
- Adapt your working style to suit the appliance.
- Do not overload the appliance.
- Have the appliance serviced whenever necessary.
- Switch the appliance off when it is not in use.
- Wear protective gloves.

#### Limitate il tempo di lavoro!

Al riguardo si devono prendere in considerazione tutte le fasi del ciclo di esercizio (ad esempio i periodi in cui l'elettro utensile è disinserito e quelli in cui è inserito, ma funziona a vuoto).

#### Caution!

##### Residual risks

**Even if you use this electric power tool in accordance with instructions, certain residual risks cannot be ruled out. The following hazards may arise in connection with the equipment's construction and layout:**

1. Lung damage if no suitable protective dust mask is used.
2. Damage to hearing if no suitable ear protection is used.
3. Health damage caused by hand-arm vibrations if the equipment is used over a prolonged period or is not properly guided and maintained.

#### Danger!

The electric power tool generates an electromagnetic field during operation. Under certain circumstances this field may actively or passively impede medical implants. To reduce the risk of serious or fatal injuries, we recommend persons with medical implants to consult their doctor and the manufacturer of the medical implant prior to using the equipment.

## 5. Before starting the equipment

**The tool is supplied without a battery and without a charger.**

### 5.1 Charging the battery (Fig. 3)

1. Take the battery pack out of the equipment. To do so, press the pushlock button (Fig. 4/Item C).
2. Check that your mains voltage is the same as that marked on the rating plate of the battery charger. Insert the power plug of the charger into the socket outlet. The green LED will then begin to flash.
3. Slot the battery pack or packs onto the battery charger.
4. In the section entitled „Charger indicator“ you will find a table with an explanation of the LED indicator on the charger.

The battery pack can become a little warm during the charging. This is normal.

If the battery pack fails to charge, check:

- whether there is voltage at the socket outlet
- whether there is good contact at the charging contacts

If the battery pack still fails to charge, send

- the charging unit
  - and the battery pack
- to our customer service center.

**To ensure that items are properly packaged and delivered when you send them to us, please contact our customer service or the point of sale at which the equipment was purchased.**

**When shipping or disposing of batteries and cordless tools, always ensure that they are packed individually in plastic bags to prevent short circuits and fires.**

To ensure that the battery pack provides long service, you should take care to recharge it promptly. You must recharge the battery pack when you notice that the performance of the device drops. Never allow the battery pack to become fully discharged. This will cause it to develop a defect.

### 5.2 Battery capacity indicator (Fig. 4)

Press the button for the battery capacity indicator (Item B). The battery capacity indicator (Item A) shows the charge status of the battery using 3 LEDs.

#### All 3 LEDs are lit:

The battery is fully charged.

#### 2 or 1 LED(s) are lit:

The battery has an adequate remaining charge.

#### 1 LED flashes:

The battery is empty, recharge the battery.

#### All LEDs blink:

The battery temperature is too low. Remove the battery from the equipment, keep it at room temperature for one day. If the fault reoccurs, this means that the rechargeable battery has undergone exhaustive discharge and is defective. Remove the battery from the equipment. Never use or charge a defective battery.

**Warning! Any foreign bodies must be completely cleared away from the area to be worked on.**

#### Warning!

**The switching devices installed on the tool by the manufacturer are not allowed to be removed or bypassed, e.g. by fitting a switching button to the handle, as this might result in risk of injury and the tool will no longer switch off automatically.**

## 6. Operation

### 6.1 Using the tool as a grass shears

Allow the grass shears to glide over the ground. The best cutting performance is achieved on dry lawns.

The blade guard hood must be pushed over the blade and the rechargeable battery removed when the tool is not being used.

The grass shears is supplied already assembled.

1. (Fig. 5) Push the battery into the battery mount provided (Fig. 2/Item 10) until you hear the catch click into position. To take out the battery, press the pushlock button (Item C) and remove the battery.



2. (Fig. 5) Remove the blade guard hood (Item 6).
3. (Fig. 5) To switch on, press the safety lock-off (Item 3) and press the On/Off switch (Item 4) at the same time.
4. To switch off, let go of the On/Off switch.

### 6.2 Using the tool as a shrub shears

Hold the shrub shears slightly tilted in the direction of the shrub you wish to cut. Start by cutting the sides of the shrub working from the bottom up, and finally cut the top of the shrub. The blade guard hood must be pushed over the blade and the rechargeable battery removed when the tool is not being used.

- Shrubs which loose their leaves in the autumn should be cut in June and October.
- Evergreen shrubs should be cut in April and August.

#### 6.2.1 Assembly

Since the tool is supplied as a grass shears (see section 6.1), the grass cutting blade must be replaced with the supplied shrub cutter blade.

**Caution!** Carry out all the following assembly, dismantling and adjustment work without a battery – risk of injury. Use protective gloves and the blade guard hood which is supplied with the tool.

1. To remove the blade, push the blade release mechanism (Fig. 6a) and take off the blade (Fig. 6b). Once you have removed the blade you will be able to see the toothed wheels of the gear unit. Take care that no dirt gets into the gear unit when you change the blade.
2. (Fig. 7a) Push the blade housing into the mount on the tool housing.
3. Push the blade release mechanism forward again, press down on the upper section (Fig. 7b) and press the blade into the lock at the same time. The drive unit on the tool is now connected to the blade.
4. Push the battery into the battery mount provided until you hear the catch click into position.
5. Remove the blade guard hood.

#### 6.2.2 Switching on/off.

Proceed as described in section 6.1.

## 7. Cleaning, maintenance and ordering of spare parts

**Danger! Remove the battery!**

### 7.1 Cleaning

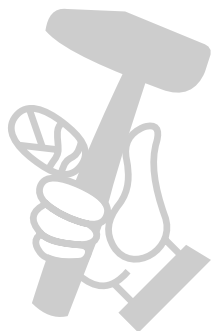
- Keep all safety devices, air vents and the motor housing free of dirt and dust as far as possible. Wipe the equipment with a clean cloth or blow it with compressed air at low pressure.
- We recommend that you clean the device immediately each time you have finished using it.
- Clean the equipment regularly with a moist cloth and some soft soap. Do not use cleaning agents or solvents; these could attack the plastic parts of the equipment. Ensure that no water can seep into the device. The ingress of water into an electric tool increases the risk of an electric shock.
- The shears should be cleaned thoroughly every time before and after use. Applying a few drops of oil (e.g. sewing machine oil) to the blades will improve the cutting performance. However, never apply grease to the blades.
- To guarantee a constant exact cut it is necessary that grass residues and dirt are also removed from between the top and bottom blades.

### Caution!

Because of the risk of injury or damage to property, never clean the product with running water, especially not with a pressure hose. Store the cordless shears in a dry and frost-free location. The storage place must be inaccessible to children.

### 7.2 Maintenance

- For good cutting performance the blades should always be sharp. They can be resharpened therefore with a whetstone. In particular we recommend to remove notches and ridges which are produced on the blades by stones or the like.
- There are no other parts inside the tool which require maintenance.





### 7.3 Ordering replacement parts:

Please quote the following data when ordering replacement parts:

- Type of machine
- Article number of the machine
- Identification number of the machine
- Replacement part number of the part required

For our latest prices and information please go to [www.Einhell-Service.com](http://www.Einhell-Service.com)



For EU countries only

Never place any electric power tools in your household refuse.

To comply with European Directive 2012/19/EC concerning old electric and electronic equipment and its implementation in national laws, old electric power tools have to be separated from other waste and disposed of in an environment-friendly fashion, e.g. by taking to a recycling depot.

**Recycling alternative to the return request:**  
As an alternative to returning the equipment to the manufacturer, the owner of the electrical equipment must make sure that the equipment is properly disposed of if he no longer wants to keep the equipment. The old equipment can be returned to a suitable collection point that will dispose of the equipment in accordance with the national recycling and waste disposal regulations. This does not apply to any accessories or aids without electrical components supplied with the old equipment.

Please note that batteries and lamps (e.g. light bulbs) must be removed from the tool before it is disposed of.

The reprinting or reproduction by any other means, in whole or in part, of documentation and papers accompanying products is permitted only with the express consent of the Einhell Germany AG.

Subject to technical changes

## 8. Disposal and recycling

The equipment is supplied in packaging to prevent it from being damaged in transit. The raw materials in this packaging can be reused or recycled. The equipment and its accessories are made of various types of material, such as metal and plastic. Never place defective equipment in your household refuse. The equipment should be taken to a suitable collection center for proper disposal. If you do not know the whereabouts of such a collection point, you should ask in your local council offices.

## 9. Storage and transport

Remove the battery. Store the tool and its accessories in a dark, dry and frost-free place. The ideal storage temperature is between 5 and 30 °C. Store the electric tool in its original packaging.

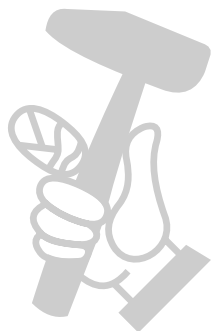
- Always carry the tool by its handle.
- Secure the tool against slipping if you transport it in a vehicle.
- As far as possible, use the original packaging for transporting the tool.
- Use a transport guard for the grass and shrub shears.

## 10. Faults

### The tool does not work

- Check that the battery is charged (press button "B" on the battery) and that the charger is working.
- Check that the battery is pushed fully into the battery mount and is latched in position.

If the tool will not work in spite of the voltage supply being OK, please send it to the customer service address provided.



## 11. Charger indicator

Indicator status		Explanations and actions
Red LED	Green LED	
Off	Flashing	<p><b>Ready for use</b> The charger is connected to the mains and is ready for use; there is no battery pack in the charger</p>
On	Off	<p><b>Charging</b> The charger is charging the battery pack in quick charge mode. The charging times are shown directly on the charger. Important! The actual charging times may vary slightly from the stated charging times depending on the existing battery charge.</p>
Off	On	<p><b>The battery is charged and ready for use. (READY TO GO)</b> The unit then changes over to gentle charging mode until the battery is fully charged. To do this, leave the rechargeable battery on the charger for approx. 15 minutes longer. <b>Action:</b> Take the battery pack out of the charger. Disconnect the charger from the mains supply.</p>
Flashing	Off	<p><b>Adapted charging</b> The charger is in gentle charging mode. For safety reasons the charging is performed less quickly and takes more time. The reasons can be: - The rechargeable battery has not been used for a very long time. - The battery temperature is outside the ideal range. <b>Action:</b> Wait for the charging to be completed; you can still continue to charge the battery pack.</p>
Flashing	Flashing	<p><b>Fault</b> Charging is no longer possible. The battery pack is defective. <b>Action:</b> Never charge a defective battery pack. Take the battery pack out of the charger.</p>
On	On	<p><b>Temperature fault</b> The battery pack is too hot (e.g. due to direct sunshine) or too cold (below 0° C). <b>Action:</b> Remove the battery pack and keep it at room temperature (approx. 20° C) for one day .</p>

## Service information

We have competent service partners in all countries named on the guarantee certificate whose contact details can also be found on the guarantee certificate. These partners will help you with all service requests such as repairs, spare and wearing part orders or the purchase of consumables.

Please note that the following parts of this product are subject to normal or natural wear and that the following parts are therefore also required for use as consumables.

Category	Example
Wear parts*	Carbon brushes, Battery
Consumables*	Blade
Missing parts	

\* Not necessarily included in the scope of delivery!

In the effect of defects or faults, please register the problem on the internet at [www.Einhell-Service.com](http://www.Einhell-Service.com). Please ensure that you provide a precise description of the problem and answer the following questions in all cases:

- Did the equipment work at all or was it defective from the beginning?
- Did you notice anything (symptom or defect) prior to the failure?
- What malfunction does the equipment have in your opinion (main symptom)? Describe this malfunction.



## Warranty certificate

Dear Customer,

All of our products undergo strict quality checks to ensure that they reach you in perfect condition. In the unlikely event that your device develops a fault, please contact our service department at the address shown on this guarantee card. You can also contact us by telephone using the service number shown.

Please note the following terms under which guarantee claims can be made:

1. These guarantee terms apply to consumers only, i.e. natural persons intending to use this product neither for their commercial activities nor for any other self-employed activities. These warranty terms regulate additional warranty services, which the manufacturer mentioned below promises to buyers of its new products in addition to their statutory rights of guarantee. Your statutory guarantee claims are not affected by this guarantee. Our guarantee is free of charge to you.
2. The warranty services cover only defects due to material or manufacturing faults on a product which you have bought from the manufacturer mentioned below and are limited to either the rectification of said defects on the product or the replacement of the product, whichever we prefer.  
Please note that our devices are not designed for use in commercial, trade or professional applications. A guarantee contract will not be created if the device has been used by commercial, trade or industrial business or has been exposed to similar stresses during the guarantee period.
3. The following are not covered by our guarantee:
  - Damage to the device caused by a failure to follow the assembly instructions or due to incorrect installation, a failure to follow the operating instructions (for example connecting it to an incorrect mains voltage or current type) or a failure to follow the maintenance and safety instructions or by exposing the device to abnormal environmental conditions or by lack of care and maintenance.
  - Damage to the device caused by abuse or incorrect use (for example overloading the device or the use of unapproved tools or accessories), ingress of foreign bodies into the device (such as sand, stones or dust, transport damage), the use of force or damage caused by external forces (for example by dropping it).
  - Damage to the device or parts of the device caused by normal or natural wear or tear or by normal use of the device.
4. The guarantee is valid for a period of 24 months starting from the purchase date of the device. Guarantee claims should be submitted before the end of the guarantee period within two weeks of the defect being noticed. No guarantee claims will be accepted after the end of the guarantee period. The original guarantee period remains applicable to the device even if repairs are carried out or parts are replaced. In such cases, the work performed or parts fitted will not result in an extension of the guarantee period, and no new guarantee will become active for the work performed or parts fitted. This also applies if an on-site service is used.
5. To make a claim under the guarantee, please register the defective device at: [www.Einhell-Service.com](http://www.Einhell-Service.com). Please keep your bill of purchase or other proof of purchase for the new device. Devices that are returned without proof of purchase or without a rating plate shall not be covered by the guarantee, because appropriate identification will not be possible. If the defect is covered by our guarantee, then the item in question will either be repaired immediately and returned to you or we will send you a new replacement.

Of course, we are also happy offer a chargeable repair service for any defects which are not covered by the scope of this guarantee or for units which are no longer covered. To take advantage of this service, please send the device to our service address.

Also refer to the restrictions of this warranty concerning wear parts, consumables and missing parts as set out in the service information in these operating instructions.

