

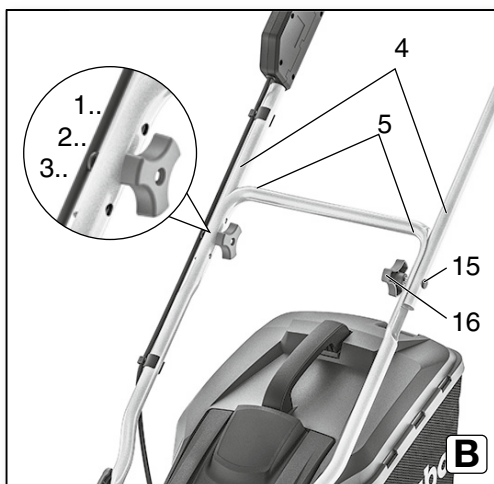
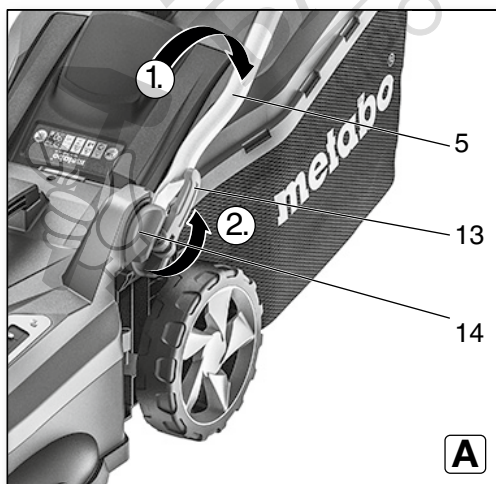
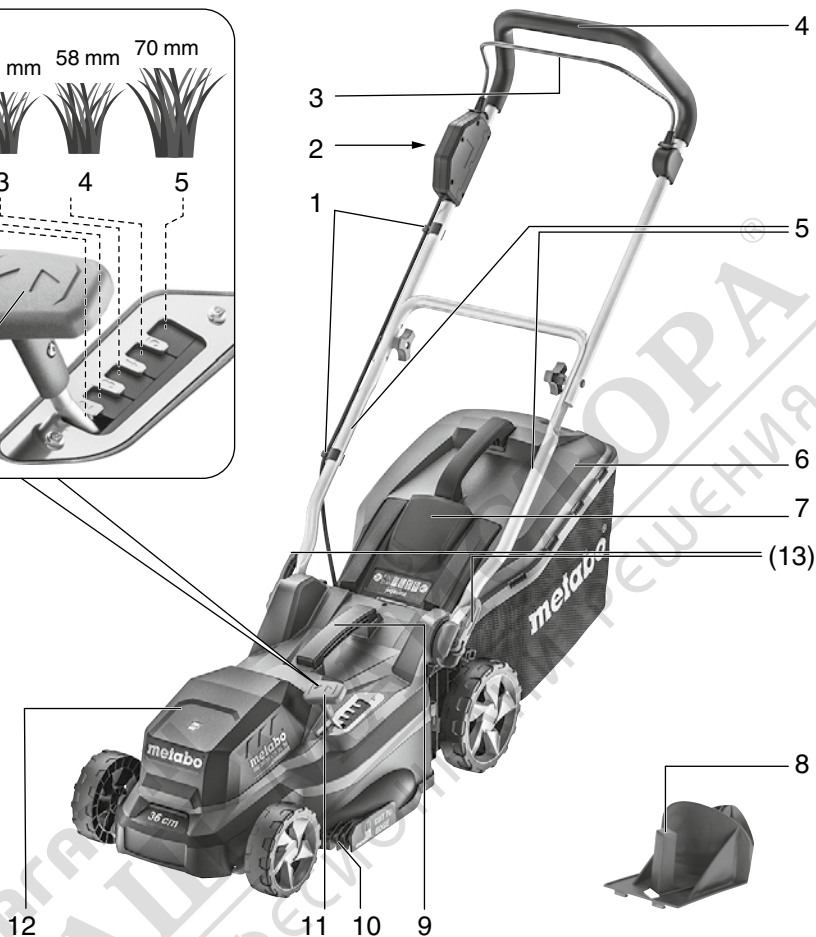
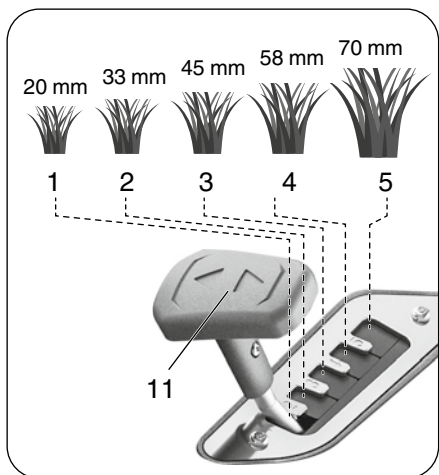
metabo®

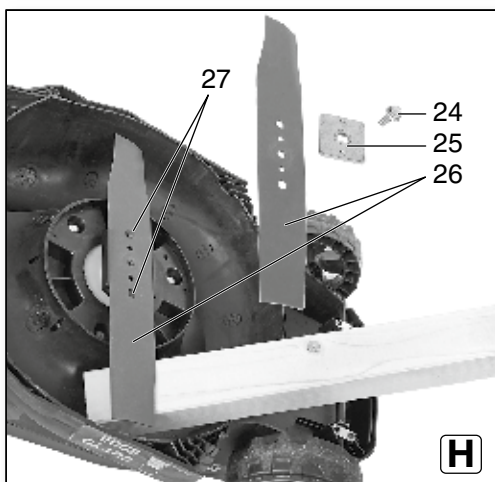
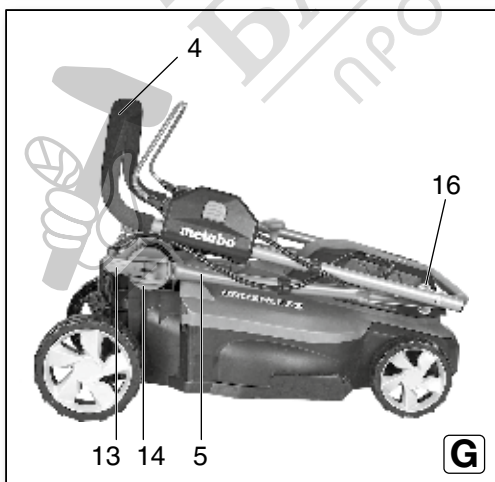
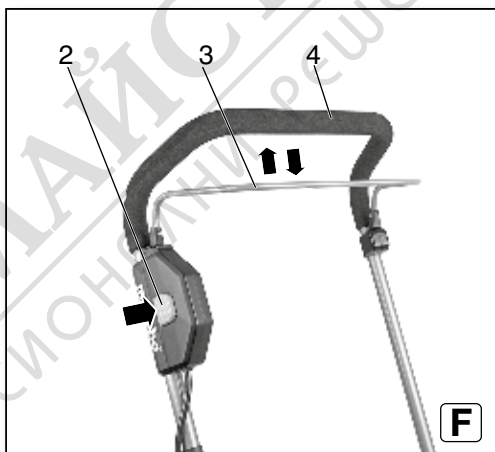
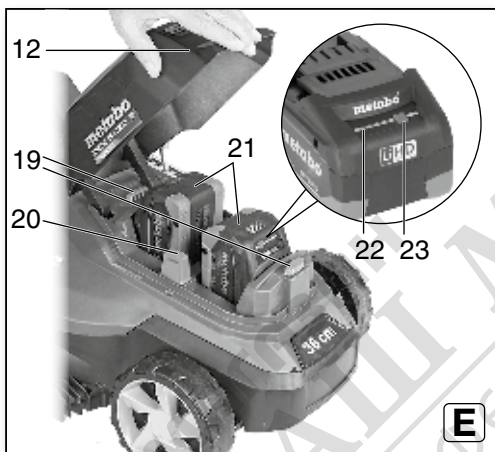
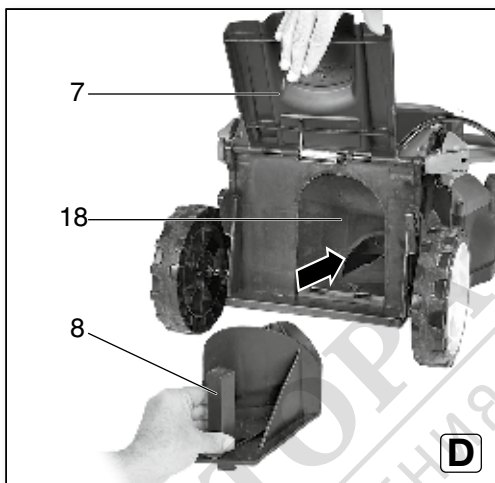
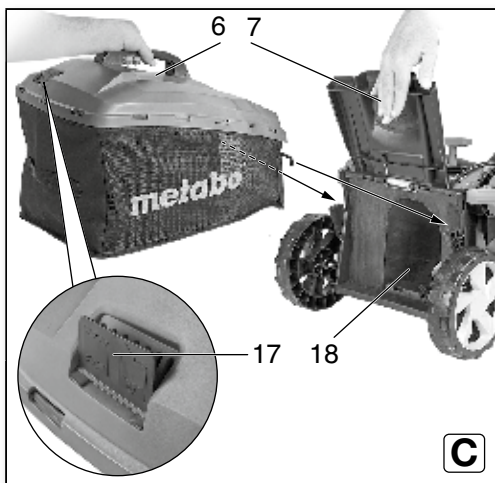
PROFESSIONAL POWER TOOL SOLUTIONS

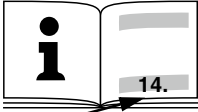
RM 36-18 LTX BL 36



de	Originalbetriebsanleitung	5	no	Original bruksanvisning	74
en	Original instructions	13	da	Original brugsanvisning	81
fr	Notice originale	20	pl	Instrukcja oryginalna	88
nl	Oorspronkelijke gebruiksaanwijzing	28	el	Πρωτότυπο οδηγιών χρήσης	96
it	Istruzioni originali	36	hu	Eredeti használati utasítás	105
es	Manual original	44	ru	Оригинальное руководство по эксплуатации	113
pt	Manual original	52	uk	Оригінальна інструкція з експлуатації	122
sv	Bruksanvisning i original	60			
fi	Alkuperäiset ohjeet	67			





		RM 36-18 LTX BL 36
*1) Serial Number		01716..
U	V	36 (2 x 18)
B	cm (in)	36 (14)
H	mm	20 - 70 ($25/32 - 2\ 3/4$)
V	l	45
A_{max}	m²	350
n	/min (rpm)	4000
m	kg (lbs)	Max. 14,6 (32.2)
IP	-	IPX1
a_h/K_h	m/s²	< 2,5 / 1,5
L_{pA}/K_{pA}	dB(A)	75 / 3,0
L_{WA}/K_{WA}	dB(A)	90 / 1,86
L_{WA(G)} *5)	dB(A)	93



*2) 2014/30/EU, 2006/42/EC, 2011/65/EU, 2000/14/EC

*3) EN 62841-1:2015, FprEN IEC 62841-4-3:2020, EN IEC 63000:2018

*4) Intertek Deutschland GmbH, Stangenstraße 1, D-70771 Leinfelden-Echterdingen, Germany, NB 0905

ppa. B.F.

2021-05-20, Bernd Fleischmann

Direktor Produktentstehung & Qualität (Vice President Product Engineering & Quality)

*6) Metabowerke GmbH - Metabo-Allee 1 - 72622 Nuertingen, Germany

Original instructions

1. Declaration of Conformity

We declare and accept sole responsibility for ensuring: these cordless lawnmowers identified by their type and serial number *1) conform to all relevant provisions of the directives *2) and standards *3). Technical documentation at *6).

2000/14/EC: Conformity assessment procedures in accordance with Annex VI
Named body *4), Guaranteed sound power level LWA(G) *5),
- see page 4.

For UK only:

We as manufacturer and authorized person to compile the technical file, see *6) on page 4, hereby declare under sole responsibility that this cordless lawn mower, identified by type and serial number *1) on page 4, fulfil all relevant provisions of following UK Regulations S.I. 2016/1091, S.I. 2008/1597, S.I. 2012/3032, S.I. 2001/1701 and Designated Standards *3)

S.I. 2001/1701: Conformity assessment procedures in accordance with Schedule 9.
Approved Body: Intertek Testing & Certification Ltd.
Academy Place, 1-9 Brook Street, Brentwood, Essex, CM14 5NQ, UK, Body-No: 0395
Guaranteed sound power level LWA(G) *5) on page 4.

2. Specified Conditions of Use

The cordless lawnmowers are intended for cutting and mulching lawns.

The lawnmower must not be used for cutting bushes, hedges and shrubs, for cutting and crushing climbing plants or for cutting plants on roof gardens or in balcony boxes, as shredder for crushing tree or hedge cuttings, for levelling uneven ground.

The user bears sole responsibility for any damage caused by inappropriate use.

Generally accepted accident prevention regulations and the safety instructions must be observed.

3. General Safety Information



For your own protection and for the protection of your power tool, pay attention to all parts of the text that are marked with this symbol!



WARNING – Read the operating instructions to reduce the risk of injury.



WARNING – Read all safety warnings, instructions, illustrations and specifications provided with this power tool. Failure to follow all instructions listed below may result in electric shock, fire and/or serious injury.

Keep all safety instructions and information for future reference. Always include these documents when passing on your power tool.

Residual risks: Even when the device is used as intended, there could be residual risks. Observe all safety warnings and instructions. Ⓢ

Possible hazards:

- Injuries and material damage caused by flying parts.
- Lung damage if no suitable dust mask is worn.
- Hearing damage if no suitable hearing protection is worn.
- Health detriment, due to vibration emissions, if the machine is used over a long period of time or if it not properly guided or maintained.

4. Special safety instructions

4.1 Safety instructions for lawnmowers

a) **Do not operate the lawnmower in bad weather conditions, especially not during lightning.** This reduces the risk to be hit by lightning.

b) **Thoroughly check the mowing area for wild animals.** Wild animals can get injured by the running machine.

c) **Thoroughly check the mowing area and remove all stones, sticks, wires, bones and other foreign objects.** Ejected parts may cause injuries.

d) **Before using the machines, make sure that the mower blade and the mower unit are not worn or damaged.** Worn or damaged parts increase the risk of injury.

e) **Regularly check the grass collection basket for wear and tear.** A worn or damaged grass collection basket increase the risk of injury.

f) **Keep safety covers in their place. Guards must be ready for use and mounted properly.** Loose, damaged or not properly functioning guard may lead to injuries.

g) **Keep air inlets free from deposits.** Blocked air inlets and deposits may lead to overheating or risk of fire.

h) **Always wear non-slip safety shoes when operating the machine. Never work barefoot or with open sandals.** This will reduce the risk of foot injury when coming into contact with the rotating mower blade.

i) **Always wear long trousers when operating the machine.** Bare skin increases the likelihood of injury from ejected objects.

j) **Do not operate the machine in wet grass. Walk while mowing, never run.** This will reduce the risk of slipping and falling, which may lead to injuries.

k) **Do not operate the machine on excessively steep slopes.** This will reduce the risk of losing control, slipping and falling, which may lead to injuries.

l) **When working on slopes, make sure you have a secure footing. Always work across the slope, never up or down, and be extremely careful when changing the direction of work.** This will reduce the risk of losing control, slipping and falling, which may lead to injuries.

m) **Use extra caution when mowing backwards or when you pull the mower towards yourself.** This reduces the risk of contact with your feet or legs.

n) **Do not touch any blades or other dangerous parts that are still moving.** This reduces the risk of injury from moving parts.

o) **Ensure that all switches are off and the battery pack is disconnected before removing jammed material or cleaning the machine.**

Unexpected operation of the machine may lead to serious personal injury.

4.2 Introduction

- Carefully read the operating instructions. Familiarise yourself with the controls and the proper use of the machine.
- Do not allow children, persons with reduced physical, sensory or mental abilities or lack of experience and/or knowledge, or persons not familiar with these instructions to use this machine. Local regulations may limit the age of the operator.
- Children should be supervised to ensure that they do not play with the tool.
- Do not operate the machine if persons, especially children, or pets are nearby.
- The user is responsible for injuries or material damage to other persons or their property.
- Do not modify the device.

4.3 Preparation

- Always wear sturdy shoes and long trousers when operating the machine. Do not operate the machine barefoot or with open shoes. Do not wear loose-fitting clothing or clothing with dangling strings or ribbons.
- Thoroughly check the area of use of the machine and remove all object that could be caught and ejected by the machine (e.g. branches, stones).
- Always inspect visually before use if the blade, the fixing screw and the blade assembly are worn or damaged. Worn or damaged components must be replaced in sets to avoid imbalance. Replace damaged or illegible markings.
- When working for long periods of time wear ear protectors. High noise levels over a prolonged period of time may affect your hearing.

4.4 Operation

- Use the machine only in daylight or good artificial light.
- Avoid using the machine on wet grass.
- Always ensure that you have a firm stand on slopes.
- Guide the tool only at walking pace.

- When working on slopes, always move along horizontally, never mow up and down.
- Be extremely careful when changing direction on slopes.
- Do not work on steep slopes.
- Be extremely careful when turning, reversing or pulling the machine.
- Ensure stable footing. If you lose your balance, immediately let go of the gearshift.
- Do not mow near steep slopes, ditches or embankments.
- Watch out for holes, furrows, rocks and other hidden objects that can cause you to fall. Remove all obstacles such as stones and branches
- Wait until the blade stops when the machine needs to be tilted for transport, when you need to cross areas other than grass and when transporting the machine to and from the area to be worked on.
- Never operate the machine with damaged protective equipment or without protective equipment (safety key, rear ejection flap).
- Carefully start up the motor according to the instructions and with your feet far away from the blade.
- Do not tilt the machine when starting up the motor, except if the machine has to be tilted to start. In this case, do not tilt the machine more than absolutely necessary and only tilt the part furthest away from the operator.
- Do not start the machine when standing in front of the open rear ejection flap.
- Do not put your hands or feet anywhere near or below rotating parts. Always keep away from the ejection opening.
- Never lift or carry the machine with the motor running.
- Switch off motor, remove safety key. Ensure that all moving parts have come to a standstill:
 - if you leave the machine unattended;
 - before you remove jams or blockages e.g. in the ejection opening;
 - before checking or cleaning the machine or before carrying out any work on the machine;
 - if a foreign object has been hit. Check the machine for damage and have repairs carried out before putting the machine back into operation.
- If the machine starts to vibrate with unusual strength, an immediate check is required:
 - check for damage;
 - replace or repair damaged parts;
 - ensure that all nuts, bolts and screws are tightened.
- In the event of an accident or malfunction, switch off the machine immediately and remove the battery pack.

4.5 Maintenance and storage

- All nuts, bolts and screws must always be tightened to ensure that the machine is in safe operating condition.

- Check the grass collection bag regularly for wear or loss of functionality.
- When adjusting the machine take care not to jam your fingers between moving blades and fixed parts of the machine. Keep in mind that the blades can be moved even after the mower has been switched off.
- Remove the battery packs from the machine, wait until all moving parts have come to a standstill and the machine has cooled down before making any adjustments, retrofitting, maintenance, cleaning or before storing the machine.
- When servicing the blades, please note that the blades can still move although the battery pack has been removed.
- Replace worn or damaged parts for safety reasons. Use only original spare parts and accessories.

4.6 Use and handling cordless tools

- **Only recharge with the charger specified by the manufacturer.** A charger that is suitable for one type of battery pack may create a risk of fire when used with another battery pack.
- **Use power tools only with specifically designated battery packs.** Use of any other battery packs may create a risk of injury and fire.
- **When not in use, keep batteries away from paper clips, coins, keys, nails, screws or other small metal objects that could bridge the contacts.** Shorting the battery terminals together may cause burns or a fire.
- **Under abusive conditions, liquid may be ejected from the battery. Avoid contact. If contact accidentally occurs, flush with water. If liquid contacts eyes, additionally seek medical help.** Liquid ejected from the battery may cause irritation or burns.
- **Do not use a battery pack or tool that is damaged or modified.** Damaged or modified batteries may exhibit unpredictable behaviour resulting in fire, explosion or risk of injury.
- **Do not expose a battery pack or tool to fire or excessive temperature.** Exposure to fire or temperature above 130 °C (265 °F) may cause explosion.
- **Follow all charging instructions and do not charge the battery pack or tool outside the temperature range specified in the instructions.** Charging improperly or at temperatures outside the specified range may damage the battery and increase the risk of fire.
- **Avoid accidental operation. Make sure that the machine is switched off before connecting the battery and before picking up or carrying the lamp.** Carrying the machine with your finger on the switch or energising machines that have the switch on invites accidents.
- Remove the battery packs from the machine and wait for complete standstill of all moving parts...
 - ...before making any adjustments, changing tools, maintenance or cleaning.
 - ...if the operator moves away from the tool.
 - ...prior to the removal of blockages.

- ...after touching a foreign body in order to check the tool for damage and to repair it, before restarting and operating it.
- ...for immediate checking when the machine starts to vibrate excessively. Check the machine for damage. Replace or repair damaged parts.



Protect battery packs from water and moisture!



Do not expose battery packs to fire!

- Do not use faulty or deformed battery packs!
- Do not open battery packs!
- Do not touch or short circuit battery pack contacts!



A slightly acidic, flammable fluid may leak from defective Li-ion battery packs!



If battery fluid leaks out and comes into contact with your skin, rinse immediately with plenty of water. If battery fluid leaks out and comes into contact with your eyes, wash them with clean water and seek medical attention immediately!

- If the machine is defective, remove the battery packs from the machine.

Transport of li-ion battery packs:

- The shipping of li-ion battery packs is subject to laws related to the carriage of hazardous goods (UN 3480 and UN 3481). Inform yourself of the currently valid specifications when shipping li-ion battery packs. If necessary, consult your freight forwarder. Certified packaging is available from Metabo.
- Only send the battery pack if the housing is intact and no fluid is leaking. Remove the battery pack from the machine for sending. Prevent the contacts from short-circuiting (e.g. by protecting them with adhesive tape).

4.7 Icons

WARNING – General hazards!



Read the operating instructions.



Always ensure that you have a firm stand on slopes. Do not work on steep slopes.



Ensure that nobody gets injured by catapulted foreign bodies. Keep other people away.



Keep persons nearby and pets at a safe distance to the device. Keep other people away.



Caution! Sharp cutting blades. Before cleaning or maintenance: Switch off the machine, remove the safety key and remove the battery packs.



Protect the device from water and moisture. Do not expose to rain.



WARNING! Unintentional startup can cause serious injuries. Before cleaning or maintenance: Switch off the machine, remove the safety key and remove the battery packs.



Use battery packs with the same capacity.



Use battery packs that have the same amount of charge.

5. Overview

See pages 2 and 3.

- 1 Cable holder
- 2 On/off switch
- 3 Switch bracket
- 4 Handle (for pushing and steering the machine)
- 5 Handlebars
- 6 Grass collection bag
- 7 Rear ejection flap
- 8 Mulching key
- 9 Carry handle
- 10 Verticutters (for mowing near edges)
- 11 Lever (central cutting height adjustment)
- 12 Protective cover (battery packs)
- 13 Levers of the quick clamps
- 14 Quick clamps
- 15 Screws
- 16 Wing nuts
- 17 Fill level window
- 18 Ejection opening
- 19 Battery pack release button
- 20 Safety key
- 21 Battery packs *
- 22 Capacity and signal indicator *
- 23 Capacity indicator button *
- 24 Locking screw for blade
- 25 Washer
- 26 Blades
- 27 Blade holder (the semi-circular holes in the blade must match the semi-circles of the machine)

*equipment-specific

6. Initial Operation

6.1 Assemble the handle, adjusting the handle height



WARNING! Do not damage the cables when folding and unfolding.

Fig. A: Unfold handlebars (5)

1. Fold handlebars (5) backwards.
2. Fold the levers (13) of the quick clamps (14) .
Note: If the clamping strength is set inappropriately: Open lever (13). Twist quick clamp (14) . Close lever (13) again and check clamping strength. If necessary, repeat procedure.

Fig. B: Assemble handle (4) and set handle height

3. Attach the bar ends of the handle (4), as shown, onto the handlebars (5).
4. Set the desired handle height by aligning the handle (4) in one of the three positions (1..2..3..).
5. Insert the screws (15) left and right.
Note: Make sure that the screws (15) (on both sides) are in the same position (1..2..3..).
- Note:** Mount the wing nuts (16) on the inside so that they do not get caught during mowing (e.g. on branches or hedges).
6. Screw the wing nuts (16) onto the screws (15) and tighten.
7. Fix the cable in the cable holders (1).

6.2 Preparation for grass collection, mulching

Collect grass / mount grass collection basket. Fig. C

1. Unfold the rear ejection flap (7) upwards and hold.
2. Ejection opening (18) must be empty. If necessary remove mulching key (8) (lift and put aside).
3. Hold grass collection basket (6) on its handle and attach the hook as shown.
4. Close the rear ejection flap (7) .

Mulching / mounting the mulching key. Fig. D

1. Unfold the rear ejection flap (7) upwards and hold.
2. Remove the grass collection basket (6) .
3. Hold the mulching key (8) on its handles and insert into the ejection chute. (Push in until the stop and press downwards. Ensure that the mulching key has engaged in the designated recesses .)
4. Close the rear ejection flap (7) .

6.3 Set depth of cut.

Fig. on page 2.

Slightly pull the lever (11) outwards and shift the guide to the desired position. Let engage in the desired position.

Adjust the cutting height to the height of the grass to be cut.

Note: For an optimal mowing result: Cut off no more than one third of the grass height. When mowing tall grass, reduce the speed at which the mower is pushed.

Note: For an optimal mulching result, the lawn should be mulched regularly. There should be a maximum of 2 cm of grass cuttings as mulch (recommendation: position 2 or position 3).

6.4 Battery pack

Fig. E

Charge the battery pack before use. Recharge the battery pack if performance diminishes.


Instructions on charging the battery pack can be found in the operating instructions of the Metabo charger.

In case of Li-Ion battery packs with capacity and signal display (22) (equipment-specific):

- Press the button (23), the LEDs indicate the charge level.
- The battery pack is almost flat and must be recharged if one LED is flashing.

Inserting and removing the battery pack

Fig. E

 **WARNING!** Stop the machine and wait until the motor stops before removing or inserting battery packs.

Inserting: Fold the protective cover (12) upwards. Push both battery packs (21) until they engage. Close the protective cover (12).

Removing: Fold the protective cover (12) upwards. Pull off the safety key (20). Press the battery pack release (19) button and remove the battery pack (21). Close the protective cover (12).

7. Use

7.1 Transporting

Carrying:


Carry from carry handles (9).

Driving: Wait until the blade stops when the machine needs to be tilted or carried for transport, when you need to cross areas other than grass and when transporting the machine to and from the area to be worked on.

7.2 Starting the machine

Fig. E, F.

1. Insert the safety key (20). Close the protective cover (12).
2. Press and hold the on/off switch (2).
3. Pull switch bracket (3) in direction of handle (4).
4. Release on/off switch (2).

 **WARNING! Note:** If the machine does not start: Pull out safety key (20) and remove the battery packs (21). Check the mowing unit to ensure that:

- no grass got caught in the blade;
- the blade can rotate freely.


7.3 Mowing and mulching


Stand upright behind the lawn mower. Hold the handle (4) with both handles and push the mower forward at walking pace.

7.4 Stopping the machine

Fig. F.

1. Release the switch bracket (3) to stop the machine.

 **WARNING!** Wait until the blade comes to a complete standstill before starting the machine again. Do not switch the machine off and back on again in quick succession.

 **WARNING!** Always remove the safety key (20) and the battery packs (21) after you have finished your work.

7.5 Empty the grass collection basket


Fig. C


If the fill level window (17) closes, the grass collection basket (6) is full.

Regularly check the fill level window and empty the grass collection basket (6) in good time.

1. Stopping the machine.
2. Pull off the safety key (20).
3. Remove the battery packs (21).
4. Unfold the rear ejection flap (7) upwards and hold.
5. Hold grass collection basket (6) at its handle and remove hook.
6. Close the rear ejection flap (7).
7. Empty the grass collection basket (6).

8. Cleaning, storage

 **WARNING!** Pull out safety key (20) and remove the battery packs (21). Unintentional startup can cause serious injuries. The blade must be stationary.

 **WARNING!** Insufficient maintenance, use of improper replacement parts or the removal or modification of safety components may result in serious hazards and injury.


8.1 Cleaning


- Clean the bottom of the mower unit after each use: Remove grass clippings, leaves, dirt and other deposits.


8.2 Storage

- Allow to the machine to cool before storage and cleaning.
- Make sure that the machine does not have any loose or damaged parts.
If necessary:
 - Tighten the screws.
 - Have the machine repaired.
- Store the machine in a dry place.
- Ensure that children cannot get anywhere near the machine.
- For space-saving storage, the handle (4) can be folded. See fig. G. To fold, open the levers (13) of the quick clamps (14) and, if necessary, turn the quick clamps (14) in anti-clockwise direction. Pull the ends of the handlebars (5) slightly apart and fold them forwards. Undo the wing nuts (16) and fold the handle (4) backwards.

9. Maintenance

 **WARNING!** Pull out safety key (20) and remove the battery packs (21). Unintentional startup can cause serious injuries. The blade must be stationary.


 **WARNING!** Keep motor and battery pack free from grass, leaves or grease.


 **CAUTION!** Do not use strong solvents or cleaning agents on the plastic housing or components.

9.1 General maintenance

- Check the machine for damaged, missing or loose parts such as screws, nuts, bolts and caps before each use.
- Tighten all fasteners and caps properly.
- Clean the machine with a dry cloth. Do not use water.
- **Never service damaged battery packs.** Any service of battery packs should only be performed by the manufacturer or authorized service providers.

9.2 Replacing the blade

 **WARNING!** Pull out safety key (20) and remove the battery packs (21). Unintentional startup can cause serious injuries. The blade must be stationary.

 **WARNING!** Use only approved blades. See the Accessories chapter.



 **WARNING!** Wear hard-wearing safety gloves and goggles. Pay attention to the sharp blade edges.

Fig. H.

1. Stopping the machine.
2. Pull off the safety key (20).
3. Remove the battery packs (21).
4. Make sure that the blade (26) has come to a standstill.
5. Place the machine on its side.
6. Position a sturdy piece of wood (5 cm x 5 cm x 60 cm) in such a way that the movement of the blade is prevented.
7. Unscrew the fixing screw (24) (anti-clockwise) with a wrench (AF 14). Remove the fixing screw (24) and washer (25).
8. Remove the worn blade (26).
9. Position the new blade (26): Ensure that the semi-circular holes in the blade (27) match the semi-circles of the machine (27).
10. Position a sturdy piece of wood (5 cm x 5 cm x 60 cm) in such a way that the movement of the blade is prevented.
11. Insert washer (25) and fixing screw (24) and tighten with a wrench (AF 14) (clockwise).

9.3 Lubrication

Lubrication is not required.

 **WARNING!** By no means lubricate the wheel components. Lubrication can cause damage during operation.

10. Troubleshooting Guide

The handle is not in position

- The quick clamps (14) are not properly tightened.
- Make sure that the quick clamps (14) are tightened properly (see chapter 6.1), the handle height is set properly and the screws (16) are aligned properly (see chapter 6.1).

The machine does not start.

The battery pack performance is weak.

- Charge the battery packs.

The on/off switch (2) is defective.

- Have the on/off switch replaced.

The safety key (20) is not inserted.

- Insert the safety key.

The blade jams.

- Observe the warnings, see chapter 8. Cleaning.

The machine does not mulch properly.

The cutting height is set too low.

- Adjust cutting height.

Wet grass clippings stick to the mower unit.

- Wait until the grass has dried before mowing.

The mulching key (8) is missing.

- Insert the mulching key.

It is difficult to push the machine.

The grass is too high or the cutting height is set too low.

- Increase cutting height.

The machine vibrates heavily.

The blade is not balanced or worn.

- Replace the blade.

The motor shaft is bent.

1. Switch off the motor.
2. Pull out safety key (20) and remove the battery packs (21).
3. Check for damage.
4. Have the machine repaired before putting the machine back into operation.

The machine stops during the mowing process.

The cutting height is too low.

- Increase cutting height.

The battery packs are empty.

- Charge the battery packs.

Wet grass clippings stick to the mower unit or blade.

- Remove the battery packs (21) and check the mower unit.

The operating temperature of the machine is too high.

- Let the machine cool down.

Cuttings do not enter the grass collection basket.

- Empty the grass collection basket.

11. Accessories

Use only original Metabo or CAS (Cordless Alliance System) battery packs and accessories.

Use only accessories that fulfil the requirements and specifications listed in these operating instructions.

A Blade (sickle blade / as replacement):

Order no.: 628422000

B Battery packs with different capacities. Buy battery packs only with voltage suitable for your power tool.


Order no.: 625367000 4.0 Ah (LiHD)

Order no.: 625368000 5.5 Ah (LiHD)

Order no.: 625369000 8.0 Ah (LiHD)
 etc.
 Order no.: 625027000 4.0 Ah (Li-Ion)
 Order no.: 625028000 5.2 Ah (Li-Ion)
 etc.

C Chargers: ASC 55, ASC 145, ASC 145 Duo, etc.
 For a complete range of accessories, see
www.metabo.com or the catalogue.

12. Repairs

 Repairs to electrical tools must only be carried out by qualified electricians and only with original spare parts!

Contact your local Metabo representative if you have Metabo power tools requiring repairs. For addresses see www.metabo.com.

You can download a list of spare parts from www.metabo.com.


13. Environmental Protection

Observe national regulations on environmentally compatible disposal and on the recycling of disused machines, packaging and accessories.

Packaging materials must be disposed of according to their labelling in accordance with municipal guidelines. Further information can be found at www.metabo.com in the "Service" section.

Battery packs may not be disposed of with regular waste. Return faulty or used battery packs to your Metabo dealer!

Do not allow battery packs to come into contact with water!

 Only for EU countries: never dispose of power tools in your household waste! According to European Directive 2012/19/EU on Waste from Electric and Electronic Equipment and implementation in national law, used power tools must be collected separately and recycled in an environmentally-friendly manner. Discharge the battery pack in the power tool before disposal. Prevent the contacts from short-circuiting (e.g. by protecting them with adhesive tape).

14. Technical Specifications

Explanatory notes regarding the specifications on page 4.

Changes due to technological progress reserved.

U = voltage
 B = cutting width
 H = cutting height
 H_x = number of cutting height stages
 V = grass collection basket volume
 n = no-load speed
 m = weight (incl. collection basket, mulching key and battery packs)
 IP = protection class

Measured values determined in conformity with EN 60335.

Permitted ambient temperature during operation: -20 °C to 50 °C (limited performance with temperatures below 0 °C). Permitted ambient temperature for storage: 0 °C to 30 °C.

Recommended ambient temperature when charging: 0 °C to 40 °C

== direct current

The technical specifications quoted are subject to tolerances (in compliance with relevant valid standards).

Emission values

These values make it possible to assess the emissions from the power tool and to compare different power tools. The actual load may be higher or lower depending on operating conditions, the condition of the power tool or the accessories used. Please allow for breaks and periods when the load is lower for assessment purposes. Arrange protective measures for the user, such as organisational measures based on the adjusted estimates.

Vibration total value (vector sum of three directions) determined in accordance with EN 60335:

a_h = vibration emission value

K_h = uncertainty (vibration)

Typical A-weighted sound levels:

L_{pA} = sound-pressure level

L_{WA} = acoustic power level

K_{pA}, K_{WA/WA(G)} = uncertainty

L_{WA(G)} = guaranteed acoustic power level as per 2000/14/EC



During operation the noise level can exceed 80 dB(A).

 **Wear ear protectors!**