



GE-CT 18/28 Li
GE-CT 18/28 Li TC

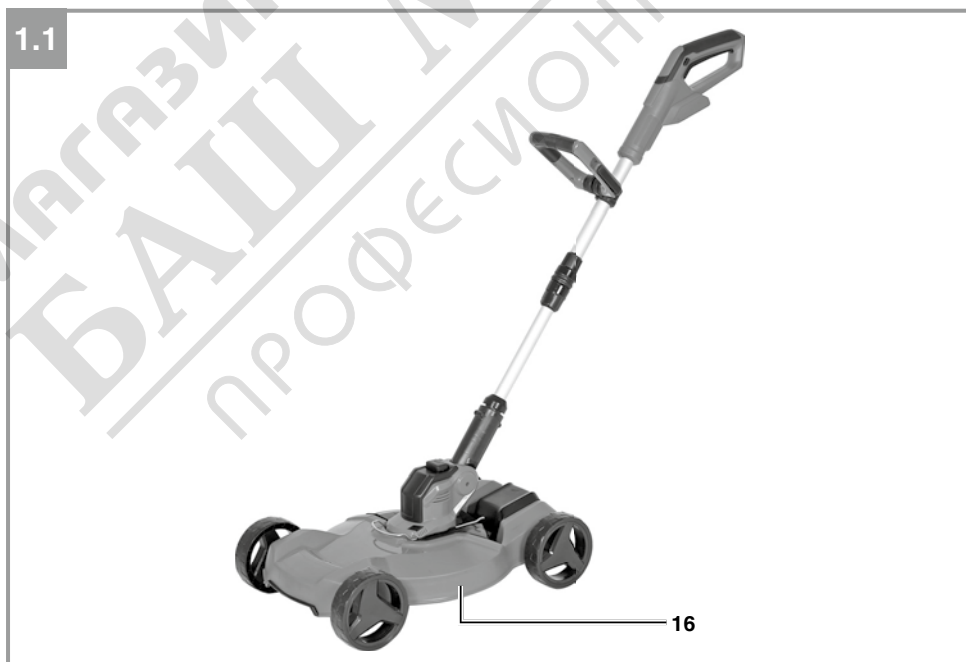
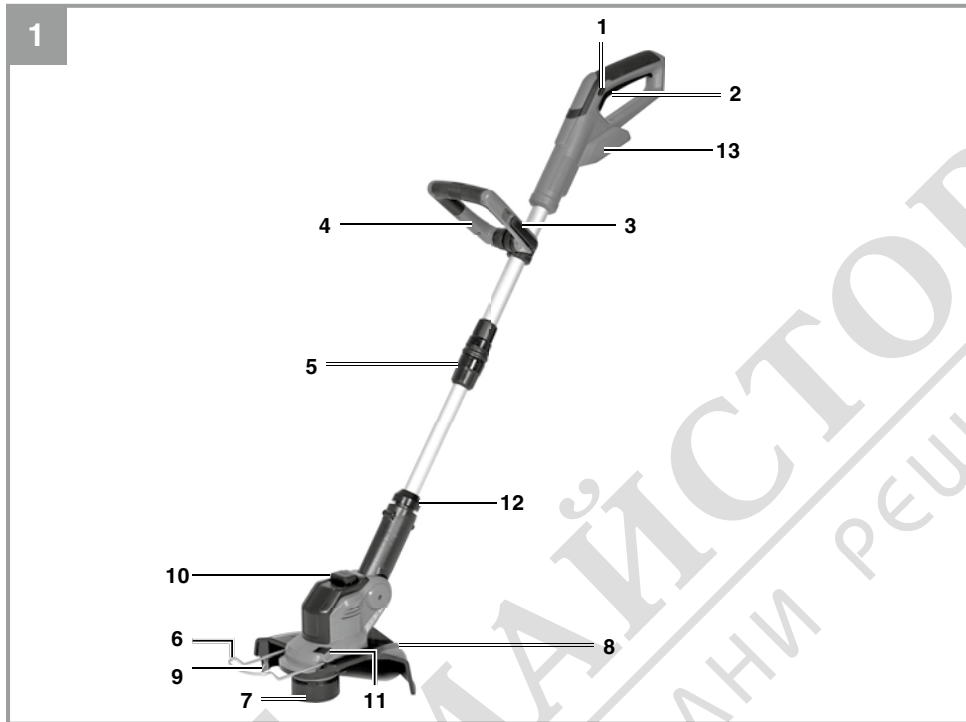
D	Originalbetriebsanleitung Akku-Rasentrimmer	FIN	Alkuperäiskäyttöohje Akkukäyttöinen ruohotrimmari
GB	Original operating instructions Cordless grass trimmer	SLO	Originalna navodila za uporabo Baterijska kosilnica za travo
F	Instructions d'origine Coupe-bordure a accumulateur	H	Eredeti használati utasítás Akku- pázsitrimmer
I	Istruzioni per l'uso originali Trimmer a batteria	RO	Instrucțiuni de utilizare originale Trimmer pentru gazon cu acumulator
DK/ N	Original betjeningsvejledning Batteridreven græstrimmer	GR	Πρωτότυπες Οδηγίες χρήσης Μηχανή μπορντούρας χορτού μπαταρίας
S	Original-bruksanvisning Batteridreven grästrimmer	P	Manual de instruções original Roçador de relva sem fio
CZ	Originální návod k obsluze Akumulátorová strunová sekačka	HR/ BIH	Originalne upute za uporabu Akumulatorski trimer za travnjak
SK	Originálny návod na obsluhu Akumulátorová strunová kosačka	RS	Originalna uputstva za upotrebu Akumulatorski trimer za travnjak
NL	Originele handleiding Accugazontrimmer	PL	Instrukcją oryginalną Akumulatorowa podkaszarka do trawy
E	Manual de instrucciones original Recortadora de césped de batería	TR	Orijinal Kullanma Talimatı Şarjlı misinalı çim biçme makinası
		EE	Originaalkasutusjuhend Akumutritrimmer

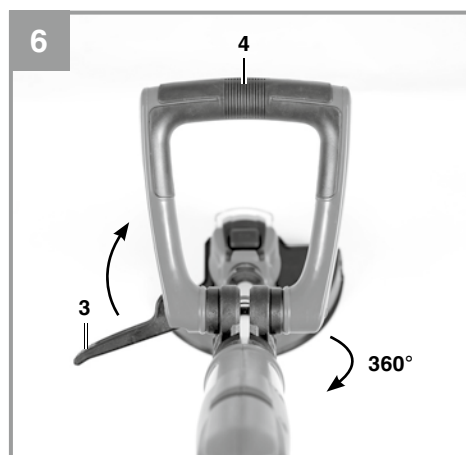
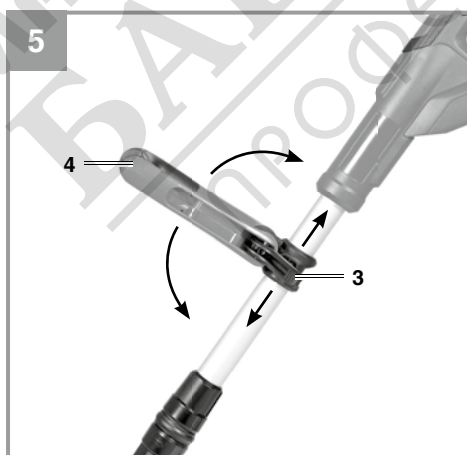
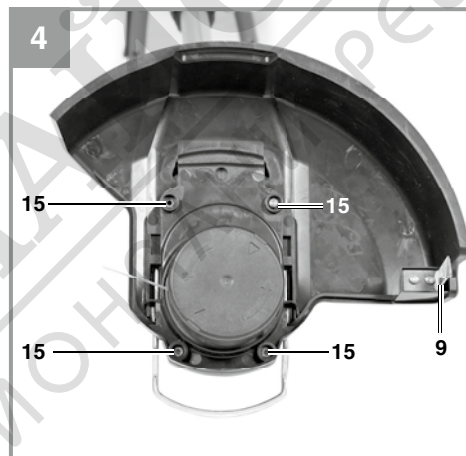
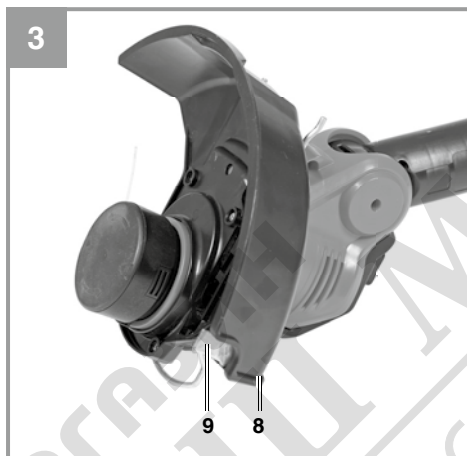
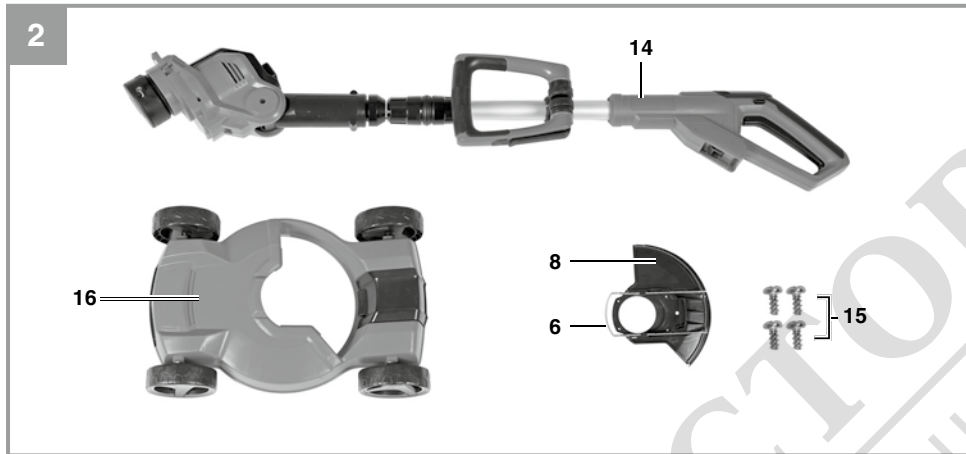
13

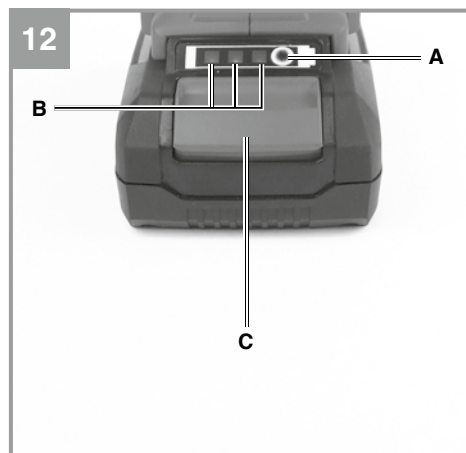
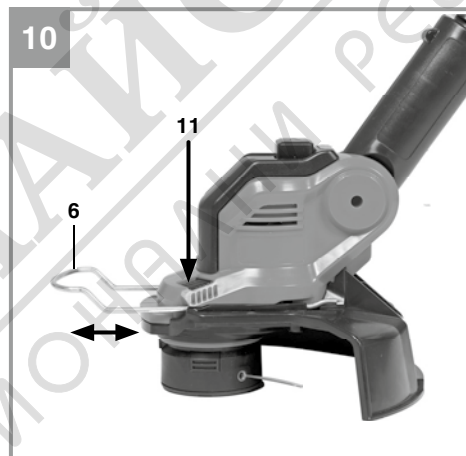
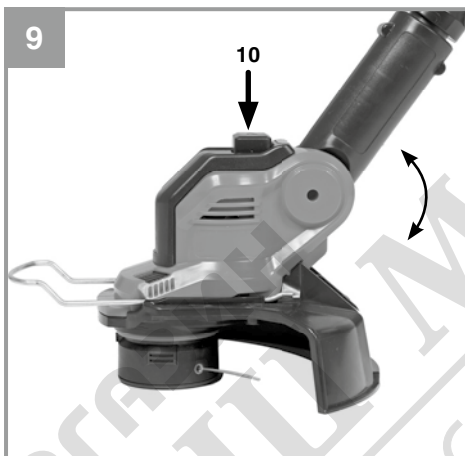
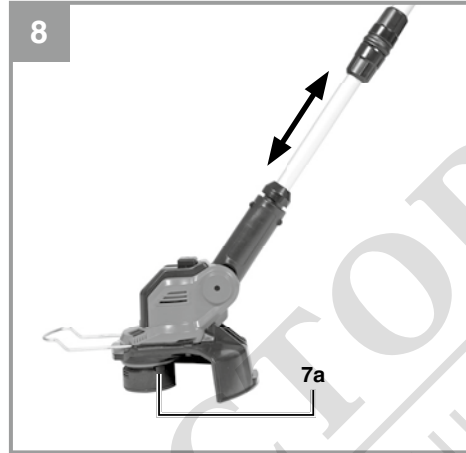
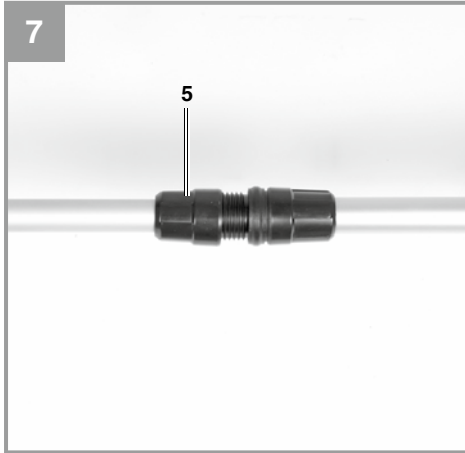


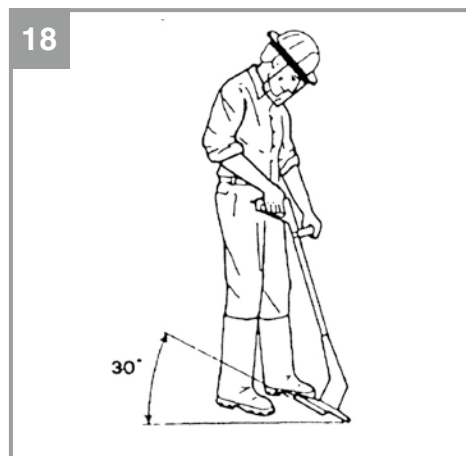
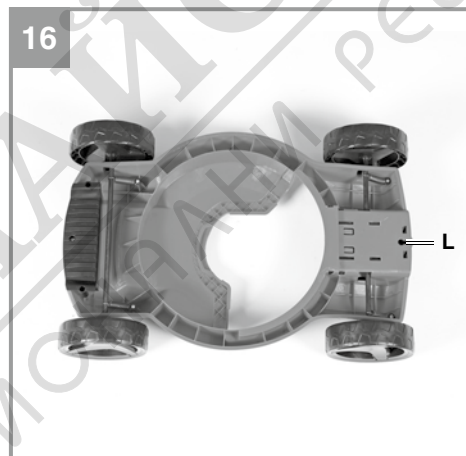
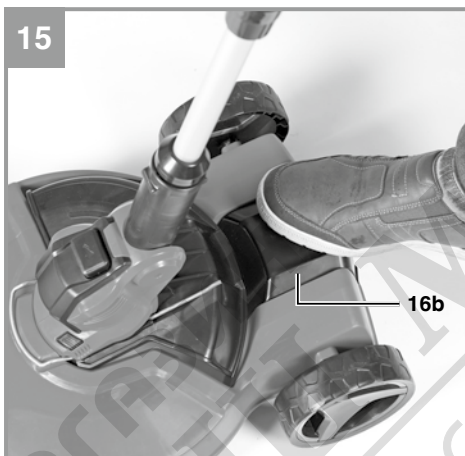
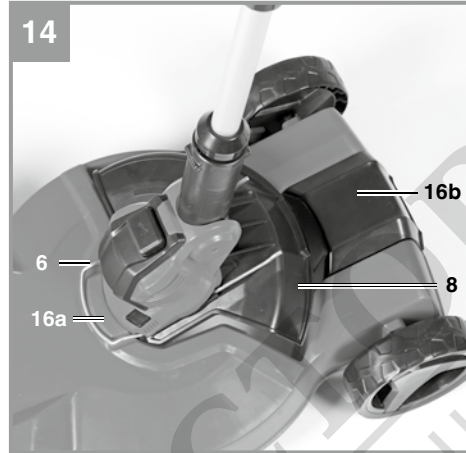
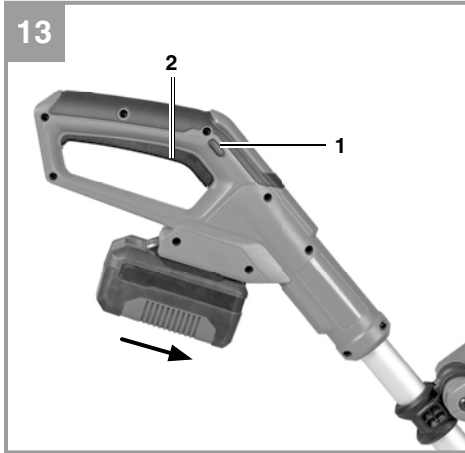
Art.-Nr.: 34.112.42 (Solo)
Art.-Nr.: 34.112.12 (Solo)

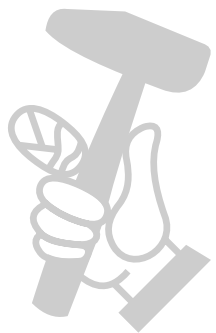
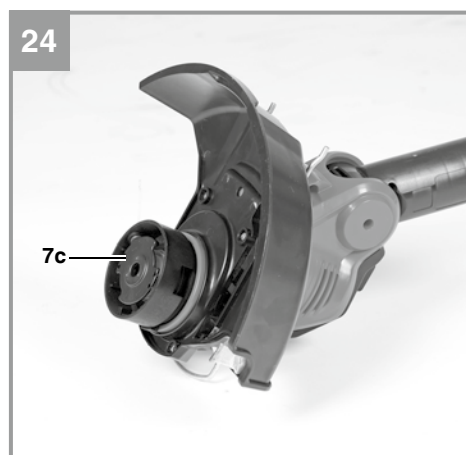
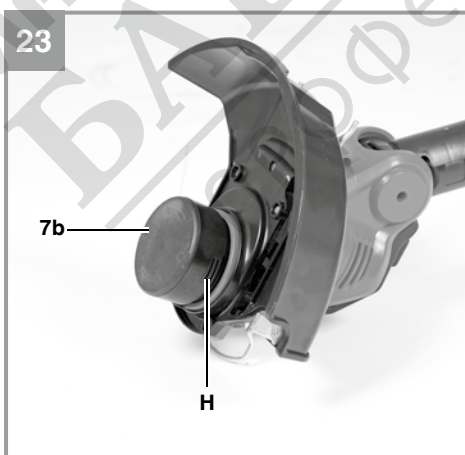
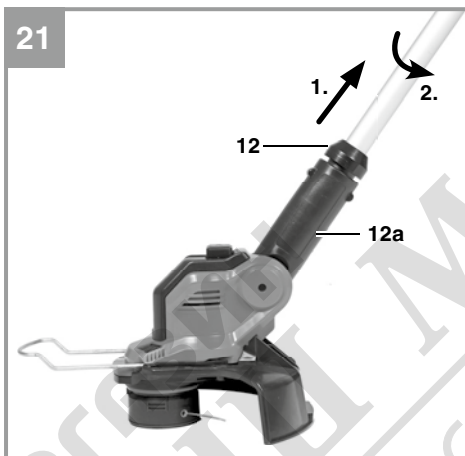
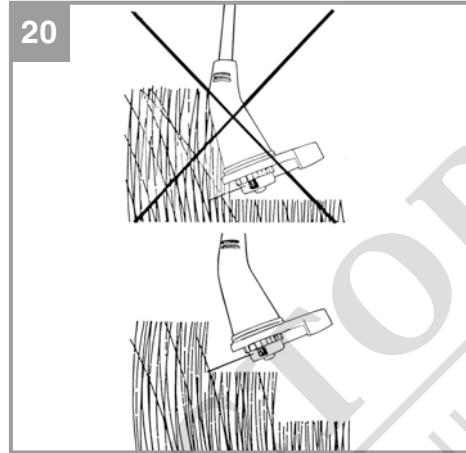
I.-Nr.: 21024
I.-Nr.: 21024

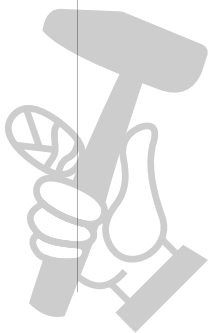
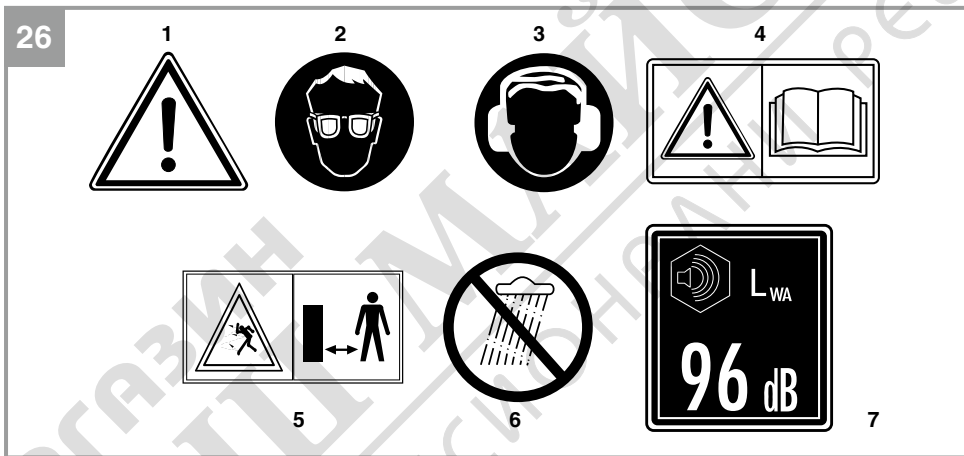
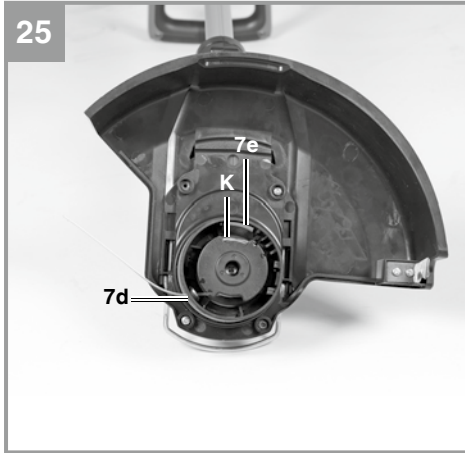












Danger!

When using equipment, a few safety precautions must be observed to avoid injuries and damage. Please read the complete original operating instructions and safety information with due care. Keep these operating instructions in a safe place so that the information is available at all times. If you give the equipment to any other person, hand over these original operating instructions and the safety information as well. We cannot accept any liability for damage or accidents which arise due to failure to follow these instructions and the safety information.

1. Safety information**Warning!**

Read all the safety information, instructions, illustrations and technical data provided on or with this power tool. Failure to adhere to the following instructions may result in electric shock, fire and/or serious injury.

Keep all the safety information and instructions in a safe place for future use.

Explanation of the symbols used (see Fig. 26)

1. Warning!
2. Wear eye protection!
3. Wear ear protection!
4. Read the operating instructions!
5. Keep other persons away!
6. Protect from the damp.
7. Guaranteed sound power level

This tool is not intended to be used by children, persons with reduced physical, sensory or mental capacities or with a lack of experience and knowledge, or persons who are not familiar with the instructions. Children must always be supervised in order to ensure that they do not play with the tool. Children are not allowed to carry out cleaning or maintenance.

Local regulations might specify an age limit for the user.

2. Layout and items supplied**2.1 Layout (Figs. 1/1.1/2)**

- 1 Safety lock-off
- 2 On/Off switch
- 3 Tightening screw (additional handle)
- 4 Additional handle
- 5 Height adjustment (union nut)

- 6 Edge guide
- 7 Line spool housing
- 8 Guard hood
- 9 Line cutter
- 10 Locking button for long handle tilt
- 11 Locking button for edge guide adjustment
- 12 Lock for rotatable motor head
- 13 Battery mount
- 14 Cordless grass trimmer
- 15 Mounting screws (4x)
- 16 Trimmer cart (only model GE-CT 18/28 Li TC)

2.2 Items supplied

Please check that the article is complete as specified in the scope of delivery. If parts are missing, please contact our service center or the sales outlet where you made your purchase at the latest within 5 working days after purchasing the product and upon presentation of a valid bill of purchase. Also, refer to the warranty table in the service information at the end of the operating instructions.

- Open the packaging and take out the equipment with care.
- Remove the packaging material and any packaging and/or transportation braces (if available).
- Check to see if all items are supplied.
- Inspect the equipment and accessories for transport damage.
- If possible, please keep the packaging until the end of the guarantee period.

Danger!

The equipment and packaging material are not toys. Do not let children play with plastic bags, foils or small parts. There is a danger of swallowing or suffocating!

- Grass trimmer with additional handle
- Guard hood
- Mounting screws (4x)
- Original operating instructions
- Safety information
- Trimmer cart (only model GE-CT 18/28 Li TC)

3. Intended use

The equipment is designed for cutting lawns and small areas of grass in private and hobby gardens.

Equipment designed for use in private and hobby gardens is regarded as unsuitable for use in public facilities, parks and sports centers, along

roadways, or in agriculture and forestry. The operating instructions supplied by the manufacturer must be obeyed to ensure that the equipment is used properly.

Important! This equipment must not be used for composting purposes (shredding) as this could result in injury or damage to property.

The equipment may be used only for the tasks it is designed to handle. Any other use is deemed to be a case of misuse. The user/operator and not the manufacturer will be liable for any damage or injuries of any kind resulting from such misuse.

Please note that our equipment has not been designed for use in commercial, trade or industrial applications. Our warranty will be voided if the equipment is used in commercial, trade or industrial businesses or for equivalent purposes.

4. Technical data

Operating voltage:	18 V DC
Speed n_0	8000 min ⁻¹
Cutting circle	Ø 28 cm
Cutting line	Ø 1.6 mm
Protection class	III
Measured sound power level L_{WA}	91.5 dB (A)
Sound pressure level L_{pA} at the operator's ear	71.5 dB (A)
Uncertainty K	3.18 dB
Vibration	≤ 2.5 m/s ²
Uncertainty K	1.5 m/s ²
Weight	3.0 kg / 5.8 kg (TC)

Trimmer cart (only model GE-CT 18/28 Li TC)

Cutting height adjustment 35/55 mm; 2 levels

Caution!

The equipment is supplied without batteries and without a charger and is allowed to be used only with the lithium-ion batteries of the Power X-Change series!

The lithium-ion batteries of the Power X-Change series are allowed to be charged only with the Power X charger.

The machine noise might exceed 85 dB (A). The operator will require noise protection measures if this is the case. The noise was measured in accordance with EN ISO 11201: 2010 and EN ISO 3744: 2010. The vibration emission level at the handle was determined in compliance with EN 28662-1: 1992.

The value quoted for vibration was determined in accordance with a set of standardized criteria and can be used to compare different products with one another. This value is also suitable to be used for estimating in advance the strain on the user caused by the vibration.

Caution!

Depending on how you use the device, the actual vibration emissions can vary from the values listed above. Take appropriate measures to protect yourself against vibration stress. Take the entire work sequence into consideration including times at which the device is not working under load or is switched off. Appropriate measures include among other things regular care and maintenance of the device and tool attachments, keeping your hands warm, taking regular breaks and good work sequence planning.

Reduce noise generation and vibration to a minimum!

- Use only equipment that is in perfect condition.
- Maintain and clean the equipment regularly.
- Adapt your way of working to the equipment.
- Do not overload the equipment.
- Have the equipment checked if necessary.
- Switch off the equipment when not in use.
- Wear gloves.
- Wear ear protection.

Caution!

Residual risks

Even if you use this electric tool in accordance with the instructions, certain residual risks cannot be eliminated. The following hazards may arise in connection with the equipment's construction and layout:

1. Damage to hearing if no suitable ear protection is worn.
2. Health damage caused by hand-arm vibrations if the equipment is used over a longer period or is not properly guided and maintained.
3. Injury and damage to property caused by flying parts.

4. Cut injuries if no suitable safety clothing is used.

5. Before using the equipment

5.1 Fitting the guard hood (Fig. 3-4)

Push the guard hood (Item 8) onto the motor housing. Secure the guard hood with four mounting screws (Fig. 2 /Item 15). A blade (Item 9) on the underside of the guard hood automatically cuts the cutting line to length. It is provided with a safety cover. Remove the safety cover before starting work.

5.2 Adjusting the additional handle (Fig. 5-6)

Open the tightening screw (Item 3) and turn / push / tilt the additional handle (Item 4) to the required position. Close the tightening screw (Item 3) again. The additional handle is secured.

5.3 Height adjustment (Fig. 7)

Undo the union nut (Item 5) until the grass trimmer handle can be moved in and out freely. Now set the required working height (Fig. 8) and secure the handle in this position by tightening the union nut again.

5.4 Adjusting the angle of tilt of the long handle (Fig. 9)

Press the button for adjusting the angle of tilt (Item 10). Now you can set the long handle to the required angle of tilt. To fix the angle of tilt, release the button and allow the handle to lock into position. Three different locking angles are possible.

Warning!

Risk of injury!

If the angle of tilt of the long handle is wrongly set, you could injure yourself or the grass trimmer could become damaged.

- Use the grass trimmer only when the long handle and the button are latched in one of the three positions for the angle of tilt and when the long handle is securely seated.
- Do not use the grass trimmer if the long handle is not latched in place.

5.5 Using the edge guide (Fig. 10)

There are 2 locking points (minimum / maximum edge guide length). To change the position of the edge guide (Item 6) after it has latched in place, press the locking button (Item 11) and push the edge guide out of the lock. Let go of the locking button. Now you can push the edge guide (Item 6) into the second locking point.

5.6 Charging the battery (Figure 11)

1. Take the battery pack out of the equipment. To do so, press the pushlock button (Fig. 12/ Item C).
2. Check that your mains voltage is the same as that marked on the rating plate of the battery charger. Insert the power plug of the charger into the socket outlet. The green LED will then begin to flash.
3. Insert the battery into the charger.
4. In the section entitled „Charger indicator“ you will find a table with an explanation of the LED indicator on the charger.

The battery can become a little warm during the charging. This is normal.

If the battery pack fails to charge, check:

- whether there is voltage at the socket outlet
- whether there is good contact at the charging contacts

If the battery pack still fails to charge, send

- the charger
 - and the battery pack
- to our customer service center.

To ensure that items are properly packaged and delivered when you send them to us, please contact our customer service or the point of sale at which the equipment was purchased.

When shipping or disposing of batteries and cordless tools, always ensure that they are packed individually in plastic bags to prevent short circuits and fires.

To ensure that the battery pack provides long service, you should take care to recharge it promptly. You must recharge the battery pack when you notice that the performance of the device drops. Never allow the battery pack to become fully discharged. This will cause it to develop a defect.

5.7 Battery charge level indicator (Fig. 12)

Press the button for the battery charge level indicator (Item A). The battery charge level indicator (Item B) shows the charge status of the battery using 3 LEDs.

All 3 LEDs are lit:

The battery is fully charged.

2 or 1 LED(s) are lit:

The battery has an adequate remaining charge.

1 LED flashes:

The battery is empty, recharge the battery.

All LEDs blink:

The battery temperature is too low. Remove the battery from the equipment, keep it at room temperature for one day. If the fault reoccurs, this means that the rechargeable battery has undergone exhaustive discharge and is defective. Remove the battery from the equipment. Never use or charge a defective battery.

5.8 Fitting the battery (Fig. 13)

Press the pushlock button of the battery as shown in Fig. 12 and push the battery into the mount provided. When the battery is positioned as in Fig. 13, make sure that the pushlock button latches in place! To remove the battery, proceed in reverse order!

Danger!

Start up the equipment only when it is fully assembled.

5.9 Fitting the grass trimmer to the trimmer cart (Fig. 14.15 – only model GE-CT 18/28 Li TC)

Lock the edge guide (Item 6 / see section 5.5) at the minimum length point. Insert the motor head into the guide (Item 16a) on the trimmer cart. Press the grass trimmer at an angle to the rear. The guard hood (Item 8) will latch in the trimmer cart lock (Item 16b).

- To remove the grass trimmer from the trimmer cart, press the trimmer cart lock (Item 16b). Lift the grass trimmer at an angle and remove it.

5.9.1 Adjusting the cutting height (Fig. 16-17 – only model GE-CT 18/28 Li TC)

Caution! Remove the battery!

It is recommended to adjust the cutting height when the grass trimmer is not fitted.

Turn over the trimmer cart so that both axles are accessible. Pull back the axles and place them in the same notch on both sides (notch D = 35 mm cutting height, notch E = 55 mm cutting height). For a uniform cutting height you must place both axles in the same notch. Fit the grass trimmer to the trimmer cart (see section 5.9)

6. Operation

The grass trimmer has an automatic line extension system. Each time the equipment is switched on, the line will be automatically extended to ensure that you always work with the perfect cutting width. The blade on the guard hood will cut the line to the permissible length. If necessary you can extend the line manually by pressing the release button (Fig. 8 / Item 7a) and pulling simultaneously on the line.

Note: Frequently switching the equipment on and off will increase line wear.

Caution! Bits of the nylon line catapulted out into the surroundings could cause injuries!

To obtain maximum performance from your grass trimmer, please follow these instructions:

- Never use the grass trimmer without the guard.
- Do not mow grass when it is wet. The best results are achieved on dry grass.
- To switch on your grass trimmer, press the safety lock-off (Fig. 13 / Item 1) and the On/Off switch (Fig. 13 / Item 2).
- To switch off your grass trimmer, let go of the On/Off switch (Fig. 13 / Item 2) again.
- Do not allow the grass trimmer near the grass until the switch is pressed, i.e. the grass trimmer is in operation.
- To cut properly, swing the grass trimmer sideways while moving forwards. Keep the grass trimmer inclined at an angle of approx. 30° while you do so (see Figs. 18 and 19).
- If the grass is long, the grass must be cut shorter in stages, starting from the tip (see Fig. 20).
- Use the edge guide and the guard hood to prevent unnecessary wear on the line.

- To avoid unnecessary wear on the line, keep the grass trimmer away from hard objects.
- To use the edge guide along walls or objects, pull the edge guide forward (see section 5.5). Push it into the guard hood when not in use (see section 5.5).

Using the grass trimmer as an edge trimmer (Fig. 21- 22)

To cut the edges of lawns alongside e.g. flower beds (vertical cutting), the grass trimmer can be converted into a lawn edge trimmer.

The lock (Item 12) latches in the angle of tilt adjustment (Item 12a). While holding the angle of tilt adjustment (Item 12a) in place, pull the long handle upwards out of the lock and turn it 180° counter-clockwise until it latches home. Tilt the long handle as required (see section 5.4). Use the edge guide (see section 5.5).

Return the motor head in reverse order to its original position in order to use it as a grass trimmer or with the trimmer cart (only model GE-CT 18/28 Li TC).

Using with a trimmer cart (only model GE-CT 18/28 Li TC)

- Push the equipment.
- Ensure that the safe distance established by the long handle between the trimmer cart and the user is always maintained.
- For safety reasons the lawn mower is not allowed to be used on inclines of more than 15 degrees.
- Take special care when backing up and pulling the lawn mower. Tripping hazard!
- **Tips for proper mowing**
- It is recommended that you overlap the mowing swaths.
- Always mow across inclines (not up and down).
- Steer the cutting in straight lines in order to achieve a tidy look. The swaths should overlap each other by a few centimeters in order to avoid stripes.
- Select the cutting height according to the actual length of the grass. Make several passes so that no more than 3 cm of grass are cut at one time.

7. Cleaning, maintenance and ordering of spare parts

Before putting away or cleaning the grass trimmer, switch it off and remove the battery.

7.1 Cleaning

- Keep all safety devices, air vents and the motor housing free of dirt and dust as far as possible. Wipe the equipment with a clean cloth or blow it down with compressed air at low pressure.
- We recommend that you clean the equipment immediately after you use it.
- Clean the equipment regularly with a damp cloth and some soft soap. Do not use cleaning agents or solvents; these may be aggressive to the plastic parts in the equipment. Ensure that no water can get into the interior of the equipment. The ingress of water into an electric tool increases the risk of an electric shock.
- Use a brush to remove deposits from the safety cover.

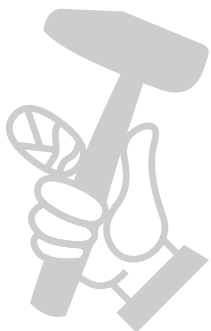
7.2 Replacing the line spool (Fig. 23 – 25) Danger! Remove the battery!

1. Press the line spool housing together at the opposite-lying ribbed points (Item H) and remove the spool cover (Item 7b).
2. Remove the empty line spool (Item 7c).
3. Thread the end of the line from the new line spool through the eyelet (Item 7d) of the spool cover and allow approx. 10 cm of line to project.
4. Ensure that the spool cover mounts (Fig. 7e) and the recesses (Item K) on the line spool lie opposite each other. Press the spool cover back into the line spool housing.

Line spool Art.Nr.: 34.051.16

7.3 Maintenance

There are no other parts inside the equipment which require maintenance.



7.4 Ordering spare parts

Please provide the following information on all orders for spare parts:

- Model/type of the equipment
- Article number of the equipment
- ID number of the equipment
- Spare part number of the required spare part

For our latest prices and information please go to www.Einhell-Service.com

8. Disposal and recycling

The equipment is supplied in packaging to prevent it from being damaged in transit. The raw materials in this packaging can be reused or recycled. The equipment and its accessories are made of various types of material, such as metal and plastic. Never place defective equipment in your household refuse. The equipment should be taken to a suitable collection center for proper disposal. If you do not know the whereabouts of such a collection point, you should ask in your local council offices.

9. Disposal and recycling

Remove the rechargeable battery/batteries.

Store the equipment and accessories in a dark and dry place at above freezing temperature. The ideal storage temperature is between 5 and 30 °C. Store the electric tool in its original packaging.

Only model GE-CT 18/28 Li TC:

The trimmer cart has an integrated wall holder (Fig. 17/Item L) to enable it to be hung on the wall.

10. Transport

- Always hold the equipment with one hand on the handle and the other hand on the additional handle. Do not carry the equipment by its motor housing.
- Secure the equipment against slipping if you transport it in a vehicle.
- As far as possible, use the original packaging for transporting the equipment.

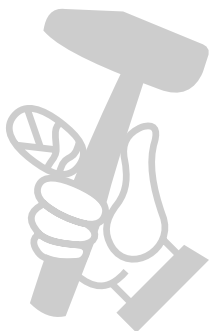
11. Faults

The equipment does not work:

Check that the battery is charged and whether the charger is working. If the equipment will not work in spite of the voltage supply being OK, please send it to the customer service address below.

Only model GE-CT 18/28 Li TC:

Check whether the cutting unit in the trimmer cart can rotate freely. Keep the underside of the housing clean and remove any grass build-up. Select the correct cutting height. Deposits or too low a cutting height can make starting difficult or impossible.



12. Charger indicator

Indicator status		Explanations and actions
Red LED	Green LED	
Off	Flashing	Ready for use The charger is connected to the mains and is ready for use; there is no battery pack in the charger
On	Off	Charging The charger is charging the battery pack in quick charge mode. The charging times are shown directly on the charger. Important! The actual charging times may vary slightly from the stated charging times depending on the existing battery charge.
Off	On	The battery is charged and ready for use. (READY TO GO) The unit then changes over to gentle charging mode until the battery is fully charged. To do this, leave the rechargeable battery on the charger for approx. 15 minutes longer. Action: Take the battery pack out of the charger. Disconnect the charger from the mains supply.
Flashing	Off	Adapted charging The charger is in gentle charging mode. For safety reasons the charging is performed less quickly and takes more time. The reasons can be: - The rechargeable battery has not been used for a very long time. - The battery temperature is outside the ideal range. Action: Wait for the charging to be completed; you can still continue to charge the battery pack.
Flashing	Flashing	Fault Charging is no longer possible. The battery pack is defective. Action: Never charge a defective battery pack. Take the battery pack out of the charger.
On	On	Temperature fault The battery pack is too hot (e.g. due to direct sunshine) or too cold (below 0° C). Action: Remove the battery pack and keep it at room temperature (approx. 20° C) for one day .

Disposal

Power tools, rechargeable batteries, accessories and packaging should be sorted for environmental-friendly recycling.

Do not dispose of power tools and batteries/rechargeable batteries into household waste!

Only for EU countries:

According to the Directive 2012/19/EU on waste electrical and electronic equipment and its transposition into national law, power tools that are no longer usable, and, according to the Directive 2006/66/EC, defective or drained batteries must be collected separately and disposed of in an environmentally correct manner.

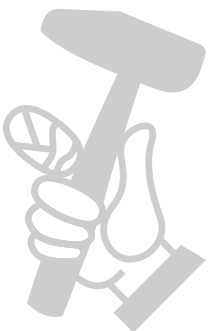
If disposed incorrectly, waste electrical and electronic equipment may have harmful effects on the environment and human health, due to the potential presence of hazardous substances.

Only for United Kingdom:

According to The Waste Electrical and Electronic Equipment Regulations 2013 (SI 2013/3113) (as amended) and the Waste Batteries and Accumulators Regulations 2009 (SI 2009/890) (as amended), products that are no longer usable must be collected separately and disposed of in an environmentally friendly manner.

The reprinting or reproduction by any other means, in whole or in part, of documentation and papers accompanying products is permitted only with the express consent of the Einhell Germany AG.

Subject to technical changes



Service information

We have competent service partners in all countries named on the guarantee certificate whose contact details can also be found on the guarantee certificate. These partners will help you with all service requests such as repairs, spare and wearing part orders or the purchase of consumables.

Please note that the following parts of this product are subject to normal or natural wear and that the following parts are therefore also required for use as consumables.

Category	Example
Wear parts*	Battery, Line spool holder
Consumables*	Line, Line spool
Missing parts	

* Not necessarily included in the scope of delivery!

In the effect of defects or faults, please register the problem on the internet at www.Einhell-Service.com. Please ensure that you provide a precise description of the problem and answer the following questions in all cases:

- Did the equipment work at all or was it defective from the beginning?
- Did you notice anything (symptom or defect) prior to the failure?
- What malfunction does the equipment have in your opinion (main symptom)? Describe this malfunction.

