

Einhell

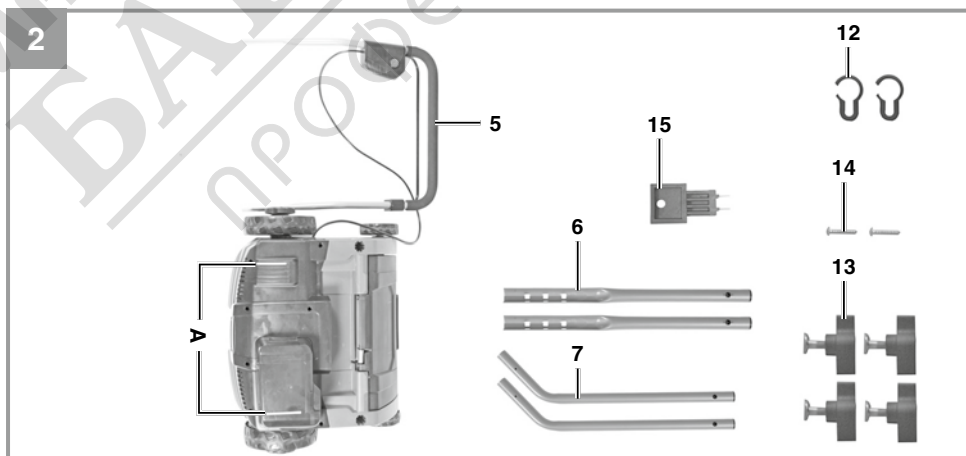
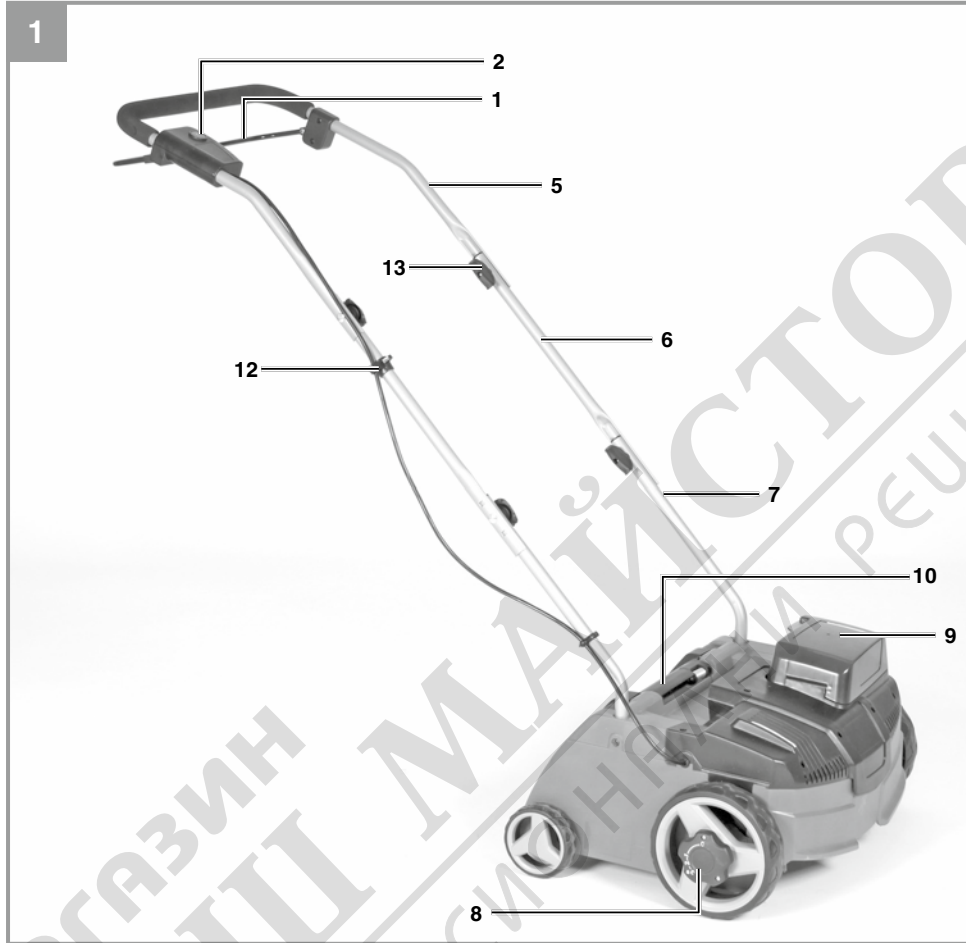
GC-SC 36/31 Li-Solo[®]

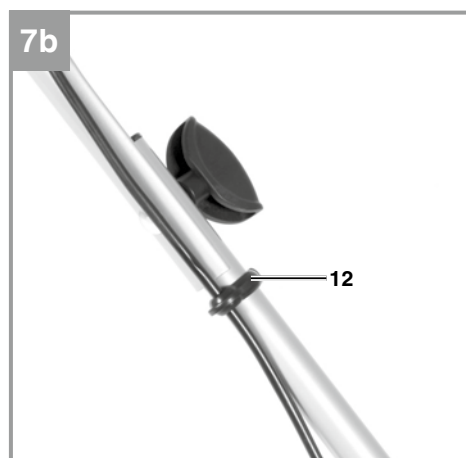
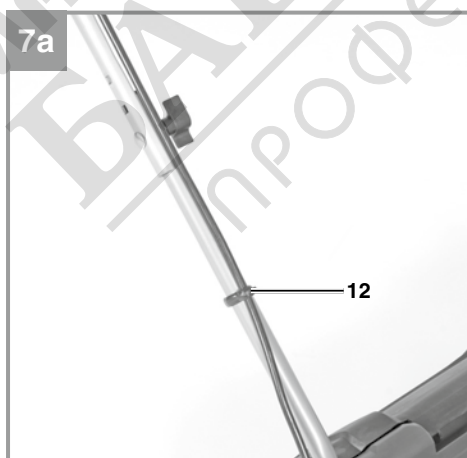
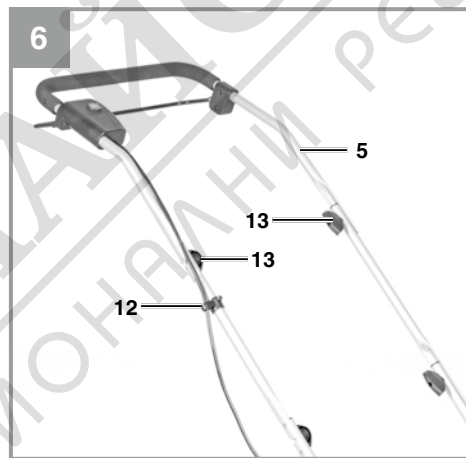
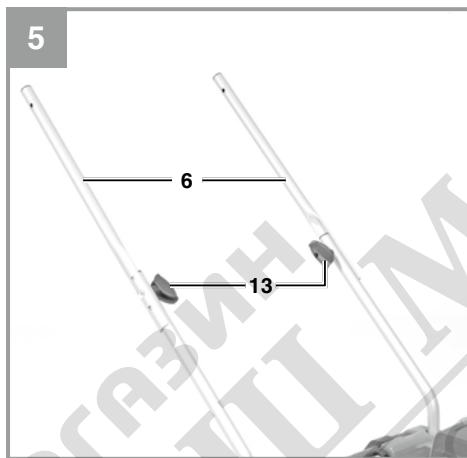
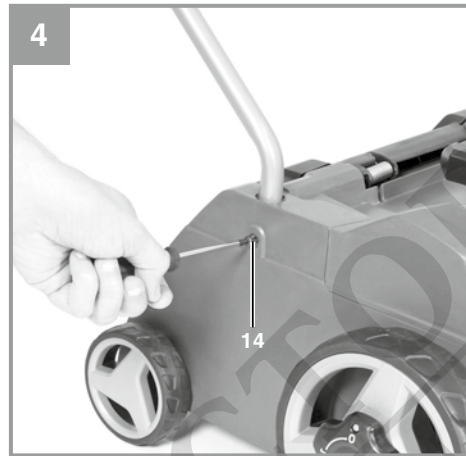
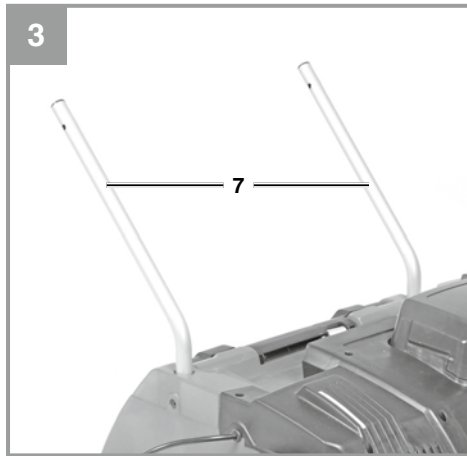
D	Originalbetriebsanleitung Akku-Vertikutierer und Rasenlüfter	NL	Originele handleiding Accu-verticuteerder en gazonbeluchter
GB	Original operating instructions Cordless Scarifier and Lawn Aerator	E	Manual de instrucciones original Escarificador de batería y aireador de césped
F	Instructions d'origine Scarificateur sans fil et aérateur de gazon	FIN	Alkuperäiskäyttöohje Akkukäyttöinen möyhennin
I	Istruzioni per l'uso originali Scarificatore / arieggiatore a batteria	SLO	Originalna navodila za uporabo Akumulatorski rahljalnik
DK/ N	Original betjeningsvejledning Akkumulatorbatteridrevet kultivator	H	Eredeti használati utasítás Akkus-vertikulátor
S	Original-bruksanvisning Batteridriven vertikalskärare	RO	Instrucțiuni de utilizare originale Afânător cu acumulator
CZ	Originální návod k obsluze Akumulátorový vertikutátor		
SK	Originálny návod na obsluhu Akumulátorový vertikutátor		

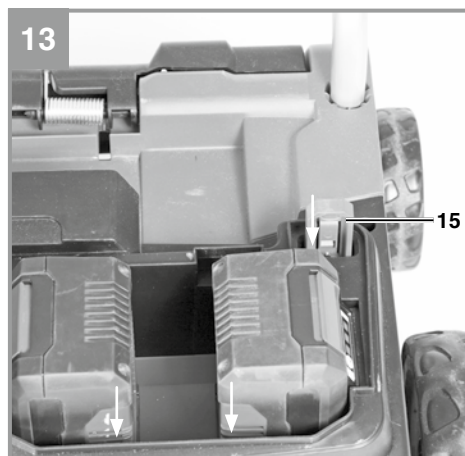
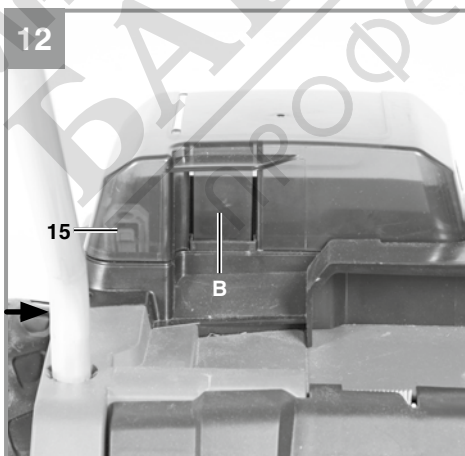
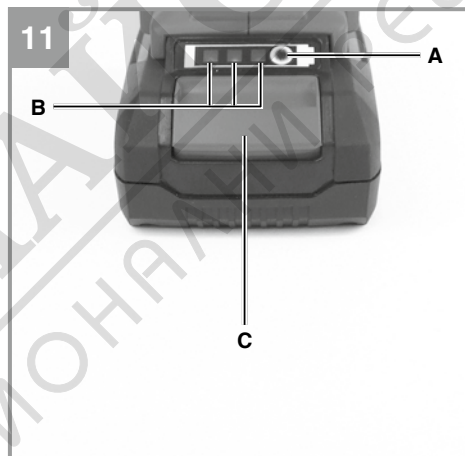
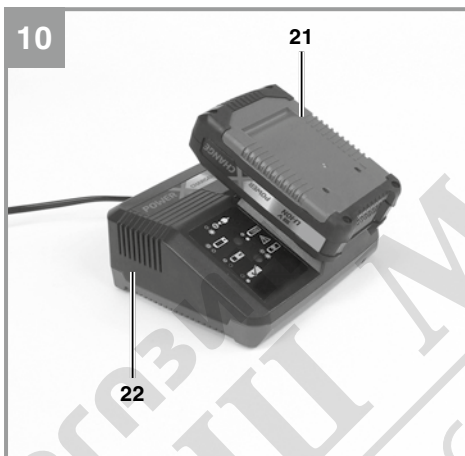
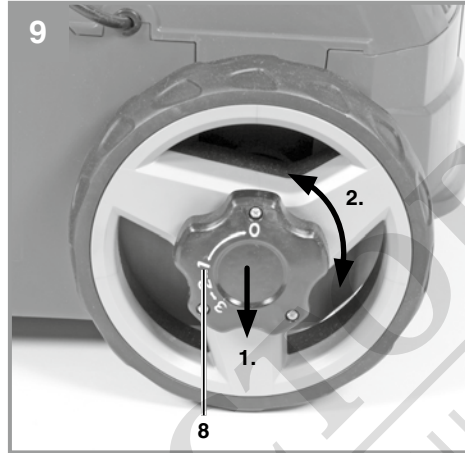
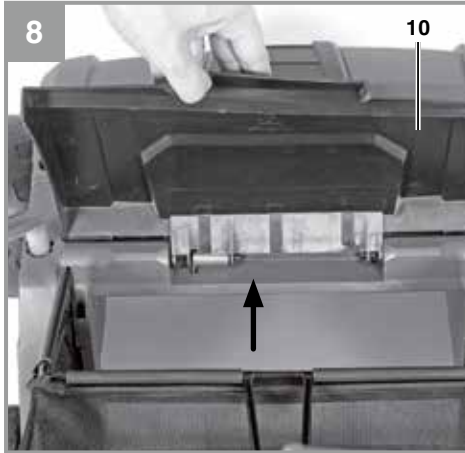


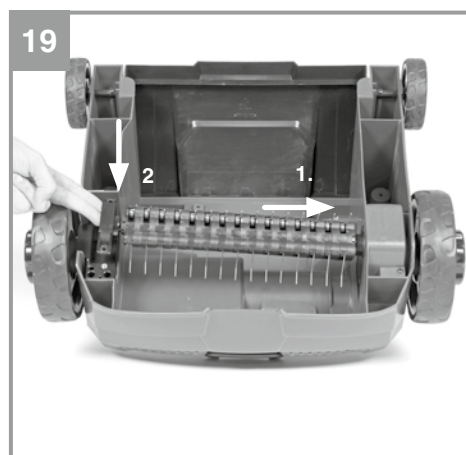
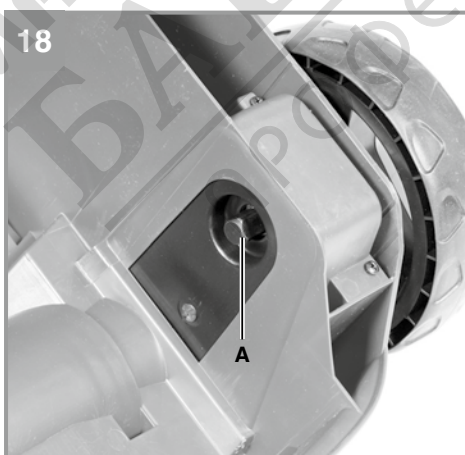
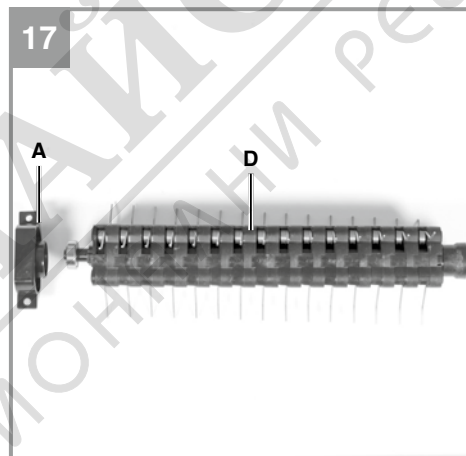
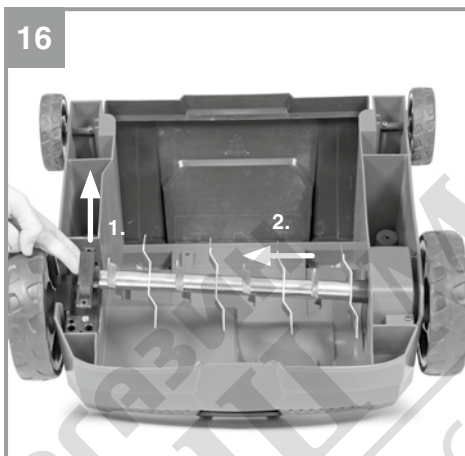
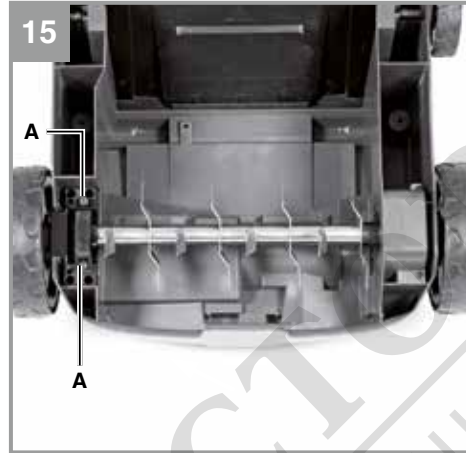
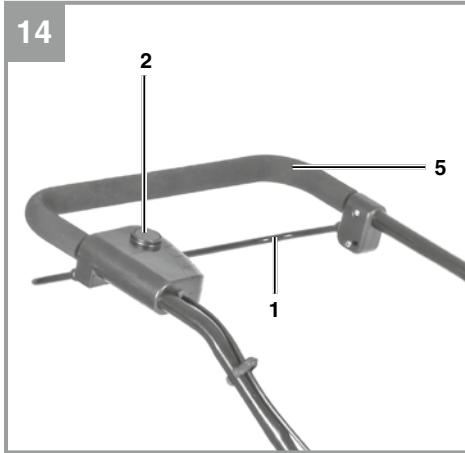
Art.-Nr.: 34.206.60

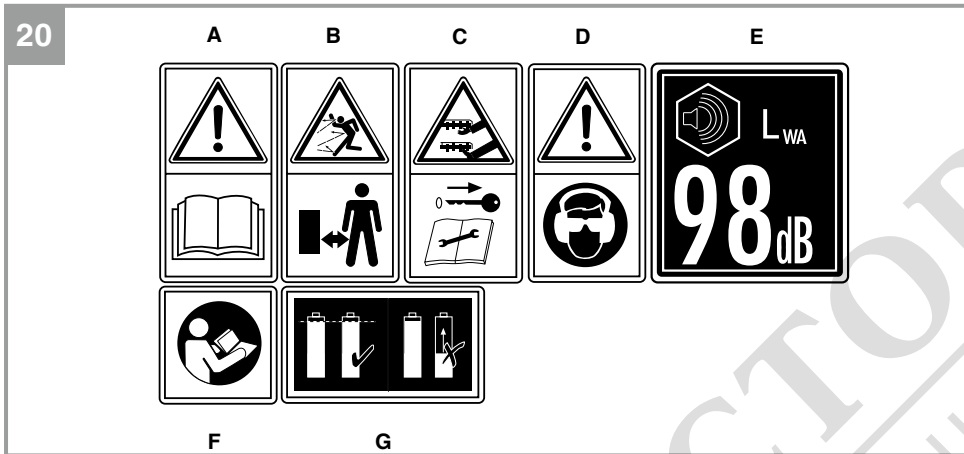
I.-Nr.: 11029



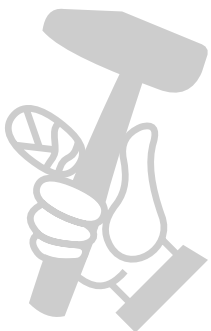








МАГАЗИН МАЙСТОРА
 БАШ МАЙСТОРА
 ПРОФЕСІОНАЛНИ РЕШЕННЯ



Danger!

When using the equipment, a few safety precautions must be observed to avoid injuries and damage. Please read the complete operating instructions and safety regulations with due care. Keep this manual in a safe place, so that the information is available at all times. If you give the equipment to any other person, hand over these operating instructions and safety regulations as well. We cannot accept any liability for damage or accidents which arise due to a failure to follow these instructions and the safety instructions.

1. Safety regulations

The corresponding safety information can be found in the enclosed booklet.

Danger!**Read all safety regulations and instructions.**

Any errors made in following the safety regulations and instructions may result in an electric shock, fire and/or serious injury.

Keep all safety regulations and instructions in a safe place for future use.**Explanation of the symbols used (see Fig. 20)**

A = Important! Read the instructions before using for the first time.

B = Keep other persons away

C = Caution, sharp teeth, keep your hands and feet away. Pull out the safety plug before performing any maintenance, adjusting or cleaning work. The teeth continue running for a while after the motor has been switched off.

D = Wear hearing and eye protection.

E = Guaranteed sound power level

F = Important! Read the instructions before using for the first time.

G = Use only batteries which are charged to the same level

2. Layout and items supplied**2.1 Layout (Fig. 1/2)**

1. ON/OFF switching bar
2. Safety lock-off
5. Top push bar
6. Bottom push bar
7. Push bar bracket
8. Depth adjustment
9. Battery cover
10. Ejector flap

12. Cable clips
13. Fastening screws for push bar
14. Retaining screws for push bar
15. Safety plug (Fig. 12,13)

2.2 Items supplied

Please check that the article is complete as specified in the scope of delivery. If parts are missing, please contact our service center or the sales outlet where you made your purchase at the latest within 5 working days after purchasing the product and upon presentation of a valid bill of purchase. Also, refer to the warranty table in the service information at the end of the operating instructions.

- Open the packaging and take out the equipment with care.
- Remove the packaging material and any packaging and/or transportation braces (if available).
- Check to see if all items are supplied.
- Inspect the equipment and accessories for transport damage.
- If possible, please keep the packaging until the end of the guarantee period.

Danger!

The equipment and packaging material are not toys. Do not let children play with plastic bags, foils or small parts. There is a danger of swallowing or suffocating!

- Cordless scarifier and lawn aerator
- Original operating instructions
- Safety instructions

3. Proper use

The basic version of the equipment is a scarifier intended for private use, i.e. for use in home and gardening environments. The scarifier roller is designed for ripping moss and weeds - complete with their roots - out of the soil and for loosening the soil. As a result your lawn can absorb nutrients better and is cleaned. We recommend you to scarify your lawn in the spring (April) and autumn (October).

With the additional aerator roller (Art. No. 3405572), available as an option, the equipment can be converted to a lawn aerator in just a few steps.

The aerating roller scratches the surface of the lawn, helping water to drain off more easily as well as promoting oxygen intake. Aerate your lawn throughout the growing period.

The equipment is intended for private use i.e. for use in home and gardening environments.

Scarifiers for private use are machines whose annual operating time generally does not exceed 10 hours, during which the machine is primarily used to maintain small-scale, residential lawns and home/hobby gardens. Public facilities, sporting halls, and agricultural/forestry applications are excluded.

The operating instructions as supplied by the manufacturer must be kept and referred to in order to ensure that the equipment is properly used and maintained. The instructions contain valuable information on operating, maintenance and servicing conditions.

Warning! Due to the high risk of bodily injury to the user, the equipment may not be used to grind up branch or hedge clippings. Moreover, the equipment may not be used as a power cultivator to level out high areas such as mole hills.

For safety reasons, the scarifier may not be used as a drive unit for other equipment or toolkits of any kind, unless specifically advised to do so by the manufacturer.

The equipment is to be used only for its prescribed purpose. Any other use is deemed to be a case of misuse. The user / operator and not the manufacturer will be liable for any damage or injuries of any kind caused as a result of this.

Please note that our equipment has not been designed for use in commercial, trade or industrial applications. Our warranty will be voided if the machine is used in commercial, trade or industrial businesses or for equivalent purposes.

4. Technical data

Idle speed:	3100/min
Protection class:	III
Voltage:	36 V DC
Working width:	31 cm
Number of blades:	8 double blades
Scarifying depth:	-3 / 3 / 6 / 9 mm
L_{pA} sound pressure level :	80.5 dB(A)
Uncertainty K	3 dB(A)
L_{WA} sound power level :	95.36 dB(A)
L_{WA} sound power level guaranteed	98 dB(A)
Uncertainty K:	1.66 dB(A)
Vibration at the handlebars, max.:	1.043 m/s ²
Uncertainty K	1.5 m/s ²
Protection type:	IPX1
Weight	10.9 kg

Danger!

Sound and vibration

Sound and vibration values were measured in accordance with the standards EN ISO 3744, EN ISO 11201, ISO 11094 and EN ISO 20643.

Important!

The equipment is supplied without batteries and without a charger is allowed to be used only with the lithium-ion batteries of the Power-X-Change series!

The lithium-ion batteries of the Power-X-Change series are allowed to be charged only with the Power-X charger.

Keep the noise emissions and vibrations to a minimum.

- Only use appliances which are in perfect working order.
- Service and clean the appliance regularly.
- Adapt your working style to suit the appliance.
- Do not overload the appliance.
- Have the appliance serviced whenever necessary.
- Switch the appliance off when it is not in use.
- Wear protective gloves.

Caution!**Residual risks**

Even if you use this electric power tool in accordance with instructions, certain residual risks cannot be ruled out. The following hazards may arise in connection with the equipment's construction and layout:

1. Damage to hearing if no suitable ear protection is used.
2. Health damage caused by hand-arm vibrations if the equipment is used over a prolonged period or is not properly guided and maintained.

Danger!

The electric power tool generates an electromagnetic field during operation. Under certain circumstances this field may actively or passively impede medical implants. To reduce the risk of serious or fatal injuries, we recommend persons with medical implants to consult their doctor and the manufacturer of the medical implant prior to using the equipment.

5. Before starting the equipment**Warning!**

Always pull out the safety plug before performing any adjusting, repair, maintenance or cleaning work on the equipment.

The scarifier is delivered unassembled. The complete push bar must be assembled and mounted before using the scarifier.

Follow the operating instructions step-by-step and use the pictures provided as a visual guide to easily assemble the machine.

Fitting the push bar holders (see Figs. 3 and 4)

Slide the push bar holders (Fig. 3/Item 7) into the provided openings (Fig. 3) and fasten them with the retaining screws (Fig. 4/Item 14).

Fitting the lower push bars (see Fig. 5)

- Slide the lower push bars (Fig. 5/Item 6) onto the push bar holders.
- Screw the tubes together, using the screws supplied (Fig. 5/Item 13).

There are 3 assembly holes so that the height of the push bar can be adjusted to specific user

requirements at any time. Use the hole which is best suited for you, making sure that you use the same hole on both sides.

Fitting the upper push bar (see Fig. 6)

- Position the upper push bar (Fig. 1/Item 5) such that its holes line up with the holes of the lower bar.
- Use the two socket head screws (Fig. 2/Item 13) to screw the tubes together.
- Use the cable clips (Fig. 7a/7b) to attach the power cable to the tubes of the push bars so that it is possible to open and shut the ejector flap.

Please ensure that the ejector flap can be opened and closed easily!

Fitting the optional catch basket (see Fig. 8)

The basic version of the equipment does not include a catch basket. This is available separately (Art. No. 3405577).

- To hang the grass basket on the scarifier you must lift the ejector flap (Item 10) with one hand and with the other hand take hold of the grass bag by the handle and hook it onto the scarifier from above.

Danger!

Before you ever hook the grass basket to the scarifier you must ensure that the motor is switched off and the cutting unit is not rotating.

Adjusting the working depth (see Fig. 9)

The scarifier depth is adjusted at the two front wheels using the adjustment mechanism. For this, pull out the adjusting screw and turn the wheel to the left or right into one of the available positions (0/1/2/3).

The scarifier depth must always be identically set on both sides!

- 0 = drive/transport position
- 1 = scarifier depth 3 mm
- 2 = scarifier depth 7 mm
- 3 = scarifier depth 9 mm

Charging the battery (Fig. 10)

The equipment is supplied without batteries and without a charger!

1. Take the battery pack out of the equipment. Do this by pressing the pushlock buttons (Fig. 11/Item C).
2. Check that your mains voltage is the same as that marked on the rating plate of the battery charger. Insert the power plug of the charger (22) into the socket outlet. The green LED will then begin to flash.
3. Insert the battery pack (21) into the battery charger (22).
4. In the section entitled „Charger indicator“ you will find a table with an explanation of the LED indicator on the charger.

The battery pack can become a little warm during the charging. This is normal.

If the battery pack fails to charge, check:

- whether there is voltage at the socket outlet
- whether there is good contact at the charging contacts

If the battery pack still fails to charge, send

- the charging unit
- and the battery pack to our customer service center.

To ensure that the battery pack provides long service, you should take care to recharge it promptly. You must recharge the battery pack when you notice that the performance of the device drops. Never allow the battery pack to become fully discharged. This will cause it to develop a defect.

Battery capacity indicator (Fig. 11)

Press the switch for the battery capacity indicator (Item A). The battery capacity indicator (Item B) shows the charge status of the battery using 3 LEDs.

All 3 LEDs are lit:

The battery is fully charged.

2 or 1 LED(s) are lit:

The battery has an adequate remaining charge.

1 LED flashes:

The battery is empty, recharge the battery.

All LEDs flash:

The battery pack has undergone exhaustive discharge and is defective. Do not use or charge a defective battery pack.

Installing the battery (Fig. 12-13)

Open the battery cover. This is done by pressing the lock (B) as shown in Fig. 12 and swinging up the cover. Then insert the two batteries in the mounts as shown in Fig. 13 and push them forward until the batteries audibly latch into place.

Note!

Use only batteries which are charged to the same level. Never combine full and half-full batteries. Always charge the two batteries simultaneously. The equipment's operating time depends on the battery with the lower charge level. The two batteries must always be fully charged before use.

6. Operation**Caution!**

The scarifier is equipped with a safety switch to prevent unauthorized use. Directly before starting up the scarifier insert the safety plug (Fig. 13/Item 15) and remove the safety plug again when interrupting or terminating your work.

To prevent accidental start-up of the scarifier, the push bar (Fig. 14/Item 5) is equipped with a safety lock-off (Fig. 14/Item 2) which must be pressed before the lever switch (Fig. 14/Item 1) can be pressed. The start time for the equipment can amount to several seconds. If the lever switch is released, the scarifier switches off. Repeat this process several times so that you are sure that your equipment functions properly. Always pull out the safety plug before performing any adjusting, repair, maintenance or cleaning work on the equipment. Make sure that the spike drum is not rotating.

Danger! Never open the ejector flap when the motor is running. A rotating cutting unit can cause injuries. Always fasten the ejector flap carefully. The flap flips back to the "Closed" position by the tension springs! Always ensure that a safe distance (provided by the long handles) is maintained between the user and the housing. Be especially careful when scarifying and changing direction on slopes and inclines. Maintain a solid footing and wear sturdy, non-slip footwear and

long trousers. Always scarify along the incline (not up and down). For safety reasons, the scarifier may not be used to scarify inclines whose gradient exceeds 15 degrees. Use special caution when backing up and pulling the scarifier (tripping hazard)!

Tips for proper working

It is recommended that you overlap scarifying paths a little.

There are two markings on the housing (Fig. 2/ Item A) which correspond to the width of the scarifier and aerator rollers.

Try to scarify in straight lines for a nice, clean look. Insodoing, the aeration swaths should always overlap each other by a few centimeters in order to avoid bare strips.

If you use the catch bag which is available as an option, it has to be emptied as soon as grass clippings start to trail behind during scarifying.

Danger! Before taking off the grass basket, switch off the motor and wait until the roller has come to a stop.

To remove the grass basket, lift up the ejector flap with one hand, while unhooking the basket with the other.

How frequently you should scarify your lawn is determined primarily by the speed at which the grass grows and the hardness of the soil. Keep the underside of the equipment clean and remove soil and grass build-up. Deposits make it more difficult to start the aerator and decrease the quality of the scarifying.

Always scarify along inclines (not up and down). Switch off the motor before doing any checks on the roller.

Danger!

The roller rotates for a few seconds after the motor is switched off. Never attempt to stop the roller. In the event that the rotating roller strikes an object, immediately switch off the equipment and wait for the roller to come to a complete stop. Then inspect the condition of the roller. Replace any parts that are damaged (see section 7.3).

Tips on aerating properly with the aerator roller available as an option.

The way of working for aerating is the same as for scarifying.

You should therefore observe these safety instructions and notes on working practice.

7. Cleaning, maintenance and ordering of spare parts

Danger!

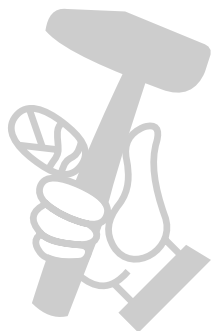
Always pull out the safety plug before performing any adjusting, repair, maintenance or cleaning work on the equipment. Make sure that the spike drum is not rotating.

7.1 Cleaning

- Keep all safety devices, air vents and the motor housing free of dirt and dust as far as possible. Wipe the equipment with a clean cloth or blow it with compressed air at low pressure.
- We recommend that you clean the device immediately each time you have finished using it.
- Clean the equipment regularly with a moist cloth and some soft soap. Do not use cleaning agents or solvents; these could attack the plastic parts of the equipment. Ensure that no water can seep into the device. The ingress of water into an electric tool increases the risk of an electric shock.

7.2 Maintenance

- A worn out or damaged cutting unit should be replaced by an authorised expert (see adress on the warranty certificate).
- Take care that all fastening elements (screws, nuts, etc.) are firmly tightened, so that you can work safely with the scarifier.
- Store the scarifier in a dry place.
- For longer life, all screw-fastened parts, such as wheels and axles should be cleaned and subsequently oiled.
- Regular servicing of the scarifier not only secures longer endurance and performance, but also contributes to an accurate and simple scarification of your lawn.
- At the end of the season, carry out a general check of the scarifier, and remove all residue collected. Before the start of every season, it is absolutely necessary to check the state of the scarifier. Contact our Customer Service



(see address on the warranty certificate) if repair work is necessary.

7.3 Changing the roller (see Figures 15-19)

Be sure to wear work gloves!

Only replace the roller with a genuine Einhell roller, as this will ensure top performance and safety under all conditions.

To change the scarifier roller or the optionally available aerator roller (Fig. 17/Item D, Art. No.: 34.055.72), proceed as follows: Remove the two socket head screws (Fig. 15/Item A). Lift the roller on this side and pull out in the direction of the arrow (Fig. 16). Pull the holder (Fig. 17/Item A) off the roller used before and then fit it to the roller to be used now. Slide the new roller in the direction of the arrow (Fig. 19) onto the square-ended drive (Fig. 18/Item A) and press into the holder (Fig. 19). Use the two socket head screws (Fig. 18/Item A) to secure the roller again.

Apply grease to the square-ended drive from time to time so that the rollers can be changed easily.

7.4 Ordering replacement parts:

Please quote the following data when ordering replacement parts:

- Type of machine
- Article number of the machine
- Identification number of the machine
- Replacement part number of the part required

For our latest prices and information please go to www.isc-gmbh.info

Replacement cutting unit Art. No.: 34.055.82

8. Storage and transport

Storage

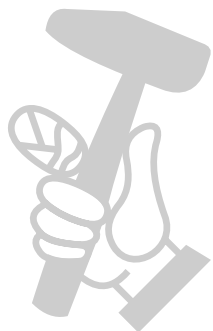
Store the equipment and accessories out of children's reach in a dark and dry place at above freezing temperature. The ideal storage temperature is between 5 and 30 °C. Store the machine in its original packaging.

Transport

- Switch the machine off and isolate it from the power supply before transporting it.
- Fit the shipping protectors, if any.
- Protect the machine from damage and the strong vibrations that can occur particularly when transporting in vehicles.
- Secure the machine against slipping and tipping over.

9. Disposal and recycling

The equipment is supplied in packaging to prevent it from being damaged in transit. The raw materials in this packaging can be reused or recycled. The equipment and its accessories are made of various types of material, such as metal and plastic. Never place defective equipment in your household refuse. The equipment should be taken to a suitable collection center for proper disposal. If you do not know the whereabouts of such a collection point, you should ask in your local council offices.



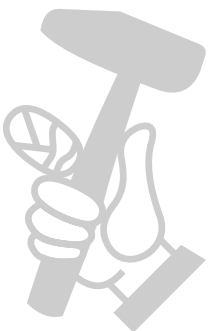
10. Charger indicator

Indicator status		Explanations and actions
Red LED	Green LED	
Off	Flashing	Ready for use The charger is connected to the mains and is ready for use; there is no battery pack in the charger
On	Off	Charging The charger is charging the battery pack in quick charge mode. The charging times are shown directly on the charger. Important! The actual charging times may vary slightly from the stated charging times depending on the existing battery charge.
Off	On	The battery is charged and ready for use. The unit then changes over to gentle charging mode until the battery is fully charged. To do this, leave the rechargeable battery on the charger for approx. 15 minutes longer. Action: Take the battery pack out of the charger. Disconnect the charger from the mains supply.
Flashing	Off	Adapted charging The charger is in gentle charging mode. For safety reasons the charging is performed less quickly and takes more time. The reasons can be: - The rechargeable battery has not been used for a very long time. - The battery temperature is outside the ideal range. Action: Wait for the charging to be completed; you can still continue to charge the battery pack.
Flashing	Flashing	Fault Charging is no longer possible. The battery pack is defective. Action: Never charge a defective battery pack. Take the battery pack out of the charger.
On	On	Temperature fault The battery pack is too hot (e.g. due to direct sunshine) or too cold (below 0° C). Action: Remove the battery pack and keep it at room temperature (approx. 20° C) for one day .

11. Troubleshooting guide

Fault	Possible causes	Rectification
Motor does not start	a) Internal terminals disconnected b) Safety lock-off defective c) Scarifier housing clogged d) Safety plug is not connected e) Battery is not correctly inserted	a) By customer service workshop b) By customer service workshop c) Change the scarifying depth if necessary; clean the housing so that the spike drum can move freely d) Connect safety plug (see 6.) e) Remove battery and insert again (see 5.)
Engine performance drops	a) Soil is too firm b) Housing clogged c) Roller badly worn	a) Change working depth b) Clean housing c) Replace roller
Imprecise scarifying result	a) roller worn b) Wrong working depth	a) Replace roller b) Correct working depth
Motor is running, roller is not rotating	a) Toothed belt is torn	a) By customer service workshop

Important notice! To protect the motor it is equipped with a thermal overload switch which cuts out when overloaded and starts again automatically after a short cooling-down period.





For EU countries only

Never place any electric power tools in your household refuse.

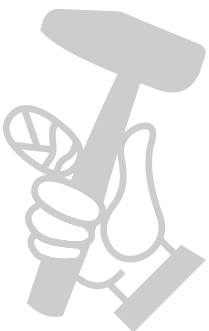
To comply with European Directive 2012/19/EC concerning old electric and electronic equipment and its implementation in national laws, old electric power tools have to be separated from other waste and disposed of in an environment-friendly fashion, e.g. by taking to a recycling depot.

Recycling alternative to the return request:

As an alternative to returning the equipment to the manufacturer, the owner of the electrical equipment must make sure that the equipment is properly disposed of if he no longer wants to keep the equipment. The old equipment can be returned to a suitable collection point that will dispose of the equipment in accordance with the national recycling and waste disposal regulations. This does not apply to any accessories or aids without electrical components supplied with the old equipment.

The reprinting or reproduction by any other means, in whole or in part, of documentation and papers accompanying products is permitted only with the express consent of the iSC GmbH.

Subject to technical changes



Service information

We have competent service partners in all countries named on the guarantee certificate whose contact details can also be found on the guarantee certificate. These partners will help you with all service requests such as repairs, spare and wearing part orders or the purchase of consumables.

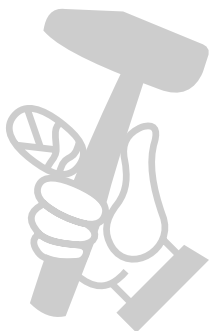
Please note that the following parts of this product are subject to normal or natural wear and that the following parts are therefore also required for use as consumables.

Category	Example
Wear parts*	V-belt, Roller, Battery
Consumables*	
Missing parts	

* Not necessarily included in the scope of delivery!

In the effect of defects or faults, please register the problem on the internet at www.isc-gmbh.info. Please ensure that you provide a precise description of the problem and answer the following questions in all cases:

- Did the equipment work at all or was it defective from the beginning?
- Did you notice anything (symptom or defect) prior to the failure?
- What malfunction does the equipment have in your opinion (main symptom)? Describe this malfunction.



Warranty certificate

Dear Customer,

All of our products undergo strict quality checks to ensure that they reach you in perfect condition. In the unlikely event that your device develops a fault, please contact our service department at the address shown on this guarantee card. You can also contact us by telephone using the service number shown. Please note the following terms under which guarantee claims can be made:

1. These guarantee terms apply to consumers only, i.e. natural persons intending to use this product neither for their commercial activities nor for any other self-employed activities. These warranty terms regulate additional warranty services, which the manufacturer mentioned below promises to buyers of its new products in addition to their statutory rights of guarantee. Your statutory guarantee claims are not affected by this guarantee. Our guarantee is free of charge to you.
2. The warranty services cover only defects due to material or manufacturing faults on a product which you have bought from the manufacturer mentioned below and are limited to either the rectification of said defects on the product or the replacement of the product, whichever we prefer.
Please note that our devices are not designed for use in commercial, trade or professional applications. A guarantee contract will not be created if the device has been used by commercial, trade or industrial business or has been exposed to similar stresses during the guarantee period.
3. The following are not covered by our guarantee:
 - Damage to the device caused by a failure to follow the assembly instructions or due to incorrect installation, a failure to follow the operating instructions (for example connecting it to an incorrect mains voltage or current type) or a failure to follow the maintenance and safety instructions or by exposing the device to abnormal environmental conditions or by lack of care and maintenance.
 - Damage to the device caused by abuse or incorrect use (for example overloading the device or the use of unapproved tools or accessories), ingress of foreign bodies into the device (such as sand, stones or dust, transport damage), the use of force or damage caused by external forces (for example by dropping it).
 - Damage to the device or parts of the device caused by normal or natural wear or tear or by normal use of the device.
4. The guarantee is valid for a period of 24 months starting from the purchase date of the device. Guarantee claims should be submitted before the end of the guarantee period within two weeks of the defect being noticed. No guarantee claims will be accepted after the end of the guarantee period. The original guarantee period remains applicable to the device even if repairs are carried out or parts are replaced. In such cases, the work performed or parts fitted will not result in an extension of the guarantee period, and no new guarantee will become active for the work performed or parts fitted. This also applies if an on-site service is used.
5. To make a claim under the guarantee, please register the defective device at: www.isc-gmbh.info. Please keep your bill of purchase or other proof of purchase for the new device. Devices that are returned without proof of purchase or without a rating plate shall not be covered by the guarantee, because appropriate identification will not be possible. If the defect is covered by our guarantee, then the item in question will either be repaired immediately and returned to you or we will send you a new replacement.

Of course, we are also happy offer a chargeable repair service for any defects which are not covered by the scope of this guarantee or for units which are no longer covered. To take advantage of this service, please send the device to our service address.

Also refer to the restrictions of this warranty concerning wear parts, consumables and missing parts as set out in the service information in these operating instructions.

