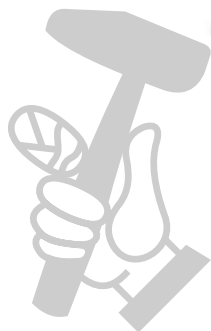
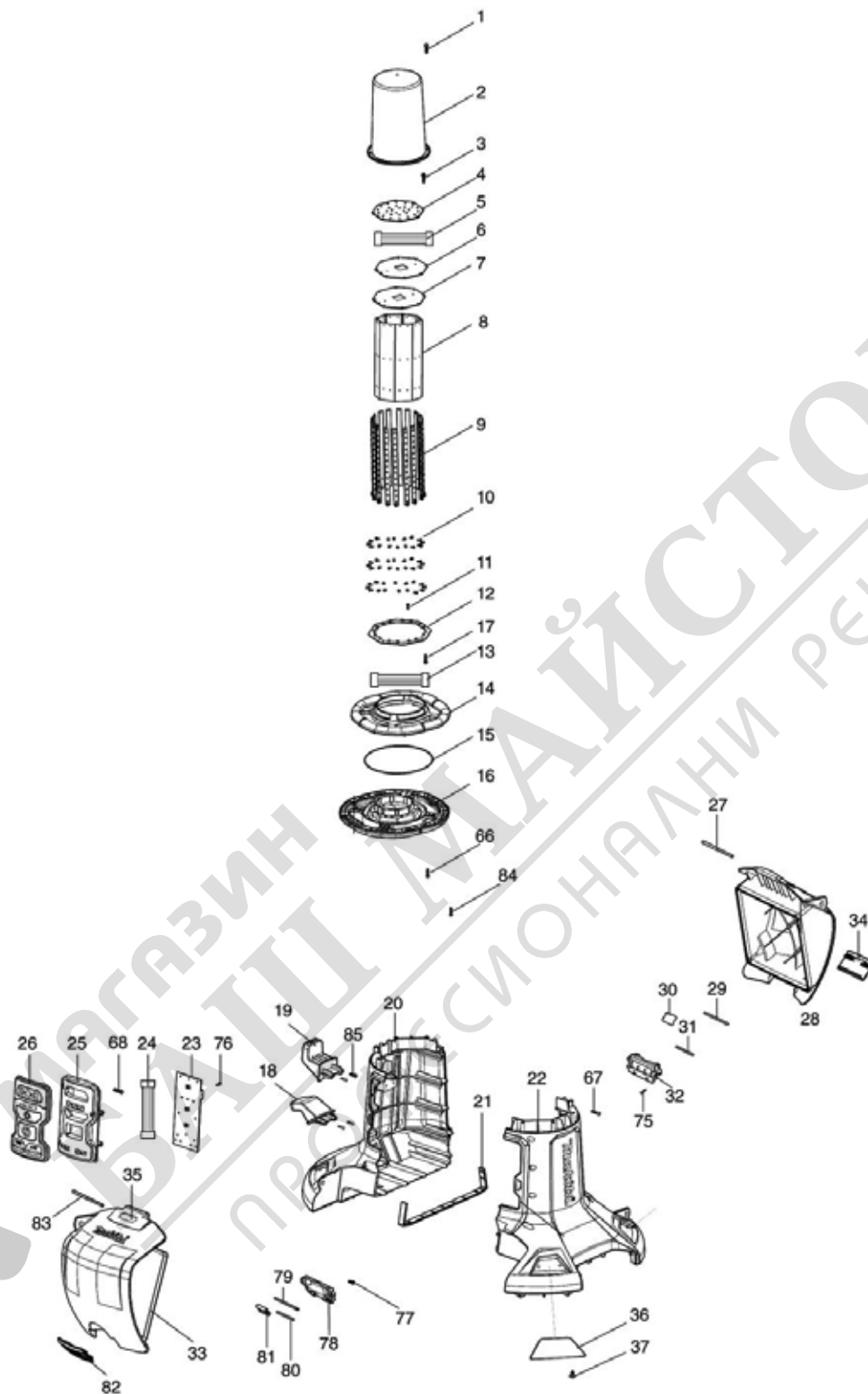


Model No.ML010G CORDLESS AREA WORKLIGHT

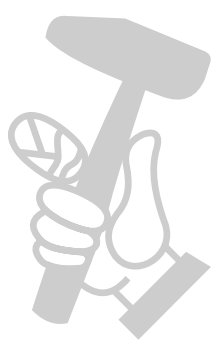
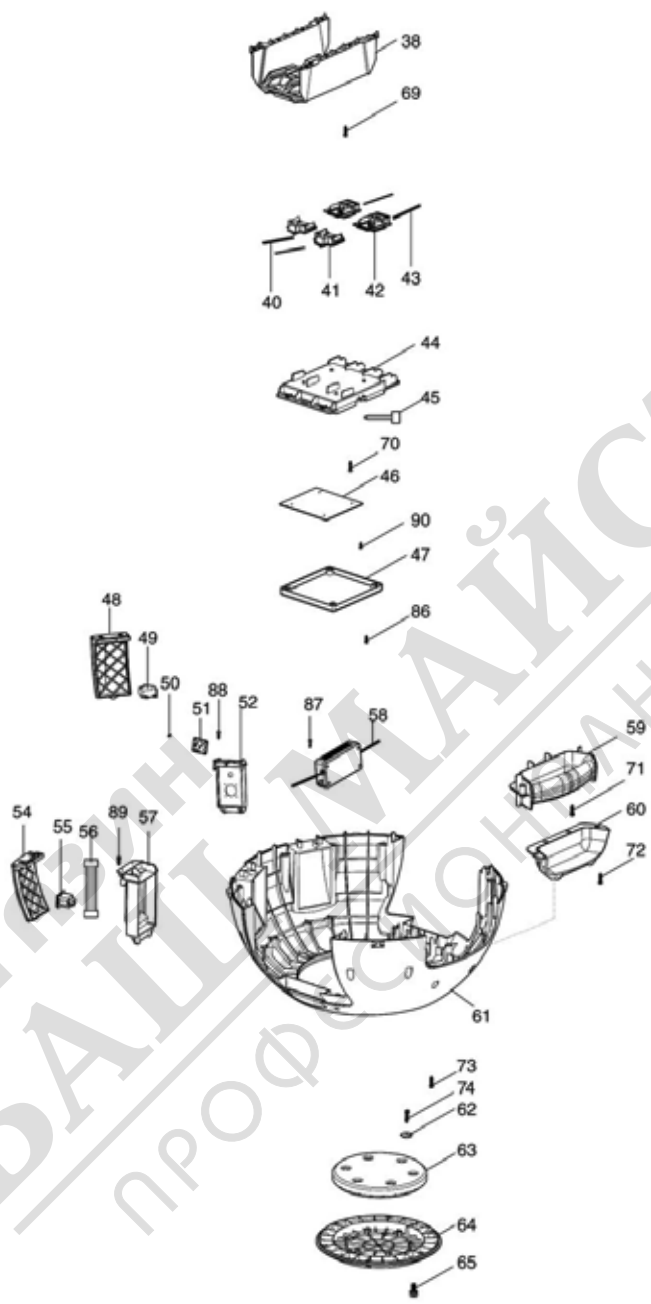


МАГАЗИН ПРОФЕССИОНАЛЬНЫХ РЕШЕНИЙ
МАЙСТОР®

Nr.	Part nr.	Name
001	QY00000001	Tapschroef 4x20mm DML810
002	QY00000002	Ledkap DML810
003	QY00000003	Tapschr 3,5x14mm DML810
004	QY00000102	Ledplaat ML010G
005	QY00000005	Kabelset 6x300 DML810
006	QY00000006	Hitteschild DML810
007	QY00000007	Warmteplaatkap DML810
008	QY00000008	Warmteplaat DML810
009	QY00000103	Ledstrip lang ML010G
010	QY00000009	Tapschr 3x6mm DML810
011	QY00000011	Tapschr 3x12mm DML810
012	QY00000104	Circuit led ML010G
013	QY00000105	Ledkabel ML010G
014	QY00000014	Handgreep boven DML810
015	QY00000015	O-ring DML810
016	QY00000016	Handgreep onder DML810
017	QY00000017	Tapschr 3,5x14mm DML810
018	QY00000106	Kabelhaak boven ML010G
019	QY00000107	Kabelhaak onder ML010G
020	QY00000108	Lamphuis L ML010G
021	QY00000109	Lamphuispakking ML010G
022	QY00000110	Lamphuis R ML010G
023	QY00000111	Schakelbord ML010G
024	QY00000112	Kabelboom ML010G
025	QY00000113	Schakelaarbasis ML010G
026	QY00000114	Schakelaarkap ML010G
027	QY00000115	Pin ML010G
028	QY00000116	Batterijhuis A ML010G
029	QY00000030	Pin 2,5x73mm DML810
030	QY00000032	Batterijkap DML810
031	QY00000031	Pin 4x75mm DML810
032	QY00000117	Batterijhuiskap ML010G
033	QY00000118	Batterijhuis B ML010G
034	QY00000029	Sluiting DML810
035	8030S0-0	Label XGT UB001G
036	QY00000027	Reflector DML810
037	QY00000026	Tapschr 3x8mm DML810
038	QY00000119	Batterijhuis onder ML010G
040	QY00000121	Kabel LXT ML010G
041	QY00000122	Batterijhouder LXT ML010G
042	QY00000123	Batterijhouder XGT ML010G
043	QY00000124	Kabel XGT ML010G
044	QY00000125	Batterijhouder ML010G
045	QY00000126	Tyrape ML010G
046	QY00000127	Circuit hoofd ML010G
047	QY00000128	Circuitkap ML010G

Nr.	Part nr.	Name
048	QY00000129	Afdekkap AC-in ML010G
049	QY00000056	Huizingset DML810
050	QY00000036	Tapschr 3x12mm DML810
051	QY00000058	AC stopcontact in DML810
052	QY00000130	Kabeltule AC ML010G
054	QY00000135	Afdekkap AC-uit ML010G
055	QY00000067	AC inlaat D ML010G
056	QY00000142	Kabelboom ML010G
057	QY00000148	Stopcontactkast ML010G
058	QY00000151	Stroomunit ML010G
059	QY00000152	Handvat ML010G
060	QY00000153	Handvatkap ML010G
061	QY00000154	Voet ML010G
062	QY00000061	Sluistring 5mm DML810
063	QY00000155	Balansgewicht ML010G
064	QY00000156	Onderplaat ML010G
065	QY00000157	Met.schr.M5x16mm ML010G
066	QY00000001	Tapschroef 4x20mm DML810
067	QY00000001	Tapschroef 4x20mm DML810
068	QY00000001	Tapschroef 4x20mm DML810
069	QY00000001	Tapschroef 4x20mm DML810
070	QY00000001	Tapschroef 4x20mm DML810
071	QY00000001	Tapschroef 4x20mm DML810
072	QY00000001	Tapschroef 4x20mm DML810
073	QY00000001	Tapschroef 4x20mm DML810
074	QY00000001	Tapschroef 4x20mm DML810
075	QY00000011	Tapschr 3x12mm DML810
076	QY00000011	Tapschr 3x12mm DML810
077	QY00000011	Tapschr 3x12mm DML810
078	QY00000117	Batterijhuiskap ML010G
079	QY00000030	Pin 2,5x73mm DML810
080	QY00000031	Pin 4x75mm DML810
081	QY00000032	Batterijkap DML810
082	QY00000029	Sluiting DML810
083	QY00000115	Pin ML010G
084	QY00000017	Tapschr 3,5x14mm DML810
085	QY00000017	Tapschr 3,5x14mm DML810
086	QY00000017	Tapschr 3,5x14mm DML810
087	QY00000017	Tapschr 3,5x14mm DML810
088	QY00000017	Tapschr 3,5x14mm DML810
089	QY00000017	Tapschr 3,5x14mm DML810
090	QY00000011	Tapschr 3x12mm DML810

Model No.ML010G CORDLESS AREA WORKLIGHT



МАГАЗИН МАЙСТОРА
БАШКОРТОСТАННИ РЕШЕНИЯ
ПРОФ

Nr.	Part nr.	Name
001	QY00000001	Tapschroef 4x20mm DML810
002	QY00000002	Ledkap DML810
003	QY00000003	Tapschr 3,5x14mm DML810
004	QY00000102	Ledplaat ML010G
005	QY00000005	Kabelset 6x300 DML810
006	QY00000006	Hitteschild DML810
007	QY00000007	Warmteplaatkap DML810
008	QY00000008	Warmteplaat DML810
009	QY00000103	Ledstrip lang ML010G
010	QY00000009	Tapschr 3x6mm DML810
011	QY00000011	Tapschr 3x12mm DML810
012	QY00000104	Circuit led ML010G
013	QY00000105	Ledkabel ML010G
014	QY00000014	Handgreep boven DML810
015	QY00000015	O-ring DML810
016	QY00000016	Handgreep onder DML810
017	QY00000017	Tapschr 3,5x14mm DML810
018	QY00000106	Kabelhaak boven ML010G
019	QY00000107	Kabelhaak onder ML010G
020	QY00000108	Lamphuis L ML010G
021	QY00000109	Lamphuispakking ML010G
022	QY00000110	Lamphuis R ML010G
023	QY00000111	Schakelbord ML010G
024	QY00000112	Kabelboom ML010G
025	QY00000113	Schakelaarbasis ML010G
026	QY00000114	Schakelaarkap ML010G
027	QY00000115	Pin ML010G
028	QY00000116	Batterijhuis A ML010G
029	QY00000030	Pin 2,5x73mm DML810
030	QY00000032	Batterijkap DML810
031	QY00000031	Pin 4x75mm DML810
032	QY00000117	Batterijhuiskap ML010G
033	QY00000118	Batterijhuis B ML010G
034	QY00000029	Sluiting DML810
035	8030S0-0	Label XGT UB001G
036	QY00000027	Reflector DML810
037	QY00000026	Tapschr 3x8mm DML810
038	QY00000119	Batterijhuis onder ML010G
040	QY00000121	Kabel LXT ML010G
041	QY00000122	Batterijhouder LXT ML010G
042	QY00000123	Batterijhouder XGT ML010G
043	QY00000124	Kabel XGT ML010G
044	QY00000125	Batterijhouder ML010G
045	QY00000126	Tyrape ML010G
046	QY00000127	Circuit hoofd ML010G
047	QY00000128	Circuitkap ML010G

Nr.	Part nr.	Name
048	QY00000129	Afdekkap AC-in ML010G
049	QY00000056	Huizingset DML810
050	QY00000036	Tapschr 3x12mm DML810
051	QY00000058	AC stopcontact in DML810
052	QY00000130	Kabeltule AC ML010G
054	QY00000135	Afdekkap AC-uit ML010G
055	QY00000067	AC inlaat D ML010G
056	QY00000142	Kabelboom ML010G
057	QY00000148	Stopcontactkast ML010G
058	QY00000151	Stroomunit ML010G
059	QY00000152	Handvat ML010G
060	QY00000153	Handvatkap ML010G
061	QY00000154	Voet ML010G
062	QY00000061	Sluistring 5mm DML810
063	QY00000155	Balansgewicht ML010G
064	QY00000156	Onderplaat ML010G
065	QY00000157	Met.schr.M5x16mm ML010G
066	QY00000001	Tapschroef 4x20mm DML810
067	QY00000001	Tapschroef 4x20mm DML810
068	QY00000001	Tapschroef 4x20mm DML810
069	QY00000001	Tapschroef 4x20mm DML810
070	QY00000001	Tapschroef 4x20mm DML810
071	QY00000001	Tapschroef 4x20mm DML810
072	QY00000001	Tapschroef 4x20mm DML810
073	QY00000001	Tapschroef 4x20mm DML810
074	QY00000001	Tapschroef 4x20mm DML810
075	QY00000011	Tapschr 3x12mm DML810
076	QY00000011	Tapschr 3x12mm DML810
077	QY00000011	Tapschr 3x12mm DML810
078	QY00000117	Batterijhuiskap ML010G
079	QY00000030	Pin 2,5x73mm DML810
080	QY00000031	Pin 4x75mm DML810
081	QY00000032	Batterijkap DML810
082	QY00000029	Sluiting DML810
083	QY00000115	Pin ML010G
084	QY00000017	Tapschr 3,5x14mm DML810
085	QY00000017	Tapschr 3,5x14mm DML810
086	QY00000017	Tapschr 3,5x14mm DML810
087	QY00000017	Tapschr 3,5x14mm DML810
088	QY00000017	Tapschr 3,5x14mm DML810
089	QY00000017	Tapschr 3,5x14mm DML810
090	QY00000011	Tapschr 3x12mm DML810