

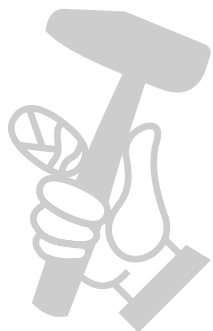
| Nr. | Part nr. | Name |
|--------|----------|---------------------------|
| 001 | 413T26-7 | Sluiting HW001G |
| 002 | 232821-4 | Drukveer 6 HW001G |
| 003 | 413T25-9 | Batterijdeksel HW001G |
| 004 | 327C24-2 | As 4mm HW001G |
| 005 | 232813-3 | Torsieveer 5 HW001G |
| 007 | 137021-0 | Batterijbox HW001G |
| 007C10 | 263005-3 | Rubber Pen 6 AC320H P |
| 008 | 232722-6 | Stelveer 4 VC001GL |
| 009 | 266326-2 | Tap Schroef 4X18mm P |
| 010 | 413B40-5 | Afdekkap VC001GL |
| 011 | 183Y95-9 | Batterijhouderhuis HW001G |
| 011C10 | 263005-3 | Rubber Pen 6 AC320H P |
| 012 | 632T08-2 | Circuitunit VC001GL |
| 013 | 652031-1 | Schroef M3X6 |
| 014 | 183Y95-9 | Batterijhouderhuis HW001G |
| 014C10 | 263005-3 | Rubber Pen 6 AC320H P |
| 015 | 266326-2 | Tap Schroef 4X18mm P |
| 016 | 413B41-3 | Borghendel VC001GL |
| 017 | 232472-3 | Drukveer 2mm JR001G |
| 018 | 8141C2-5 | Label serienr. HW001G |
| 019 | 413T33-0 | Batterijplaatkap HW001G |
| 020 | 413T30-6 | Batterijplaat HW001G |
| 021 | 266326-2 | Tap Schroef 4X18mm P |
| 022 | 413T29-1 | Acc.houder S HW001G |
| 023 | 137026-0 | Voorhuiset HW001G |
| 023C10 | 8071J7-1 | Indicatielabel HW001G |
| 023C20 | 8025F3-0 | Label XGT UX01G |
| 024 | 266326-2 | Tap Schroef 4X18mm P |
| 025 | 266326-2 | Tap Schroef 4X18mm P |
| 027 | 137019-7 | Binnenhuis assy HW001G |
| 027C10 | 263005-3 | Rubber Pen 6 AC320H P |
| 028 | 620M65-0 | Controller HW001G |
| 030 | 620M67-6 | Schakelcircuit HW001G |
| 030C10 | 539267-8 | Schakelplaat HW001G |
| 030C20 | 266490-9 | Parker Ck 2X6Mm DDF483 A |
| 031 | 620M68-4 | Circuit indicatie HW001G |
| 031C10 | 136981-3 | Schakelplaat HW001G |
| 031C20 | 266490-9 | Parker Ck 2X6Mm DDF483 A |
| 032 | 632V07-6 | Schakelunit HW001G |
| 033 | 413T27-5 | Schakelknop HW001G |
| 034 | 413U71-8 | Schakelpen HW001G |
| 035 | 232819-1 | Drukveer 3 HW001G |
| 036 | 961016-9 | Stopring E-10 P |
| 037 | 413T37-2 | Schakelpaneel HW001G |
| 038 | 266326-2 | Tap Schroef 4X18mm P |
| 040 | 1830A1-1 | Handgreepset HW001G |

| Nr. | Part nr. | Name |
|--------|----------|----------------------------|
| 041 | 1830A1-1 | Handgreepset HW001G |
| 042 | 266326-2 | Tap Schroef 4X18mm P |
| 045 | 327C41-2 | Duwboom boven R HW001G |
| 050 | 327C43-8 | Duwboom onder R HW001G |
| 053 | 413T20-9 | Bovenaanslag HW001G |
| 054 | 413T19-4 | Duwboomhouder HW001G |
| 055 | 327C42-0 | Duwboom boven L HW001G |
| 056 | 232820-6 | Drukveer 6 HW001G |
| 057 | 327C81-0 | Borgpin 5mm HW001G |
| 058 | 413T22-5 | Pijpaanslag HW001G |
| 059 | 413T21-7 | Onderaanslag HW001G |
| 060 | 327C44-6 | Duwboom onder L HW001G |
| 061 | 413T38-0 | Aanslagpen HW001G |
| 062 | 213005-3 | O-Ring 5 Gs5000 |
| 063 | 8141C0-9 | Naamplaat HW001G |
| 065 | 137020-2 | Achterhuisset HW001G |
| 065C10 | 263005-3 | Rubber Pen 6 AC320H P |
| 066 | 266326-2 | Tap Schroef 4X18mm P |
| 067 | 413T18-6 | Borgknop HW001G |
| 068 | 233068-3 | Drukveer 6Mm Am3643 |
| 069 | 413T34-8 | Borgpen HW001G |
| 071 | 413T15-2 | Achterkap HW001G |
| 072 | 266326-2 | Tap Schroef 4X18mm P |
| 073 | 141T09-4 | Acc.houder R HW001G |
| 073C10 | 809R02-9 | Waarschuwingslabel Hw1200* |
| 074 | 266326-2 | Tap Schroef 4X18mm P |
| 075 | 422250-1 | Stootrubber DHW080 |
| 076 | 458326-8 | Motorhuis DHW080 |
| 077 | 422409-0 | Buffer DHW080 |
| 078 | 629C40-3 | Veld HW001G |
| 079 | 458327-6 | Vulplaat DHW080 |
| 080 | 266326-2 | Tap Schroef 4X18mm P |
| 081 | 210062-2 | Kogellager 607Zz P |
| 082 | 519830-3 | Anker assy HW001G |
| 083 | 211131-2 | Kogellager 6001Dw |
| 084 | 922233-6 | ZESKANTBOUT EM4351UH P |
| 085 | 161823-2 | Tandwielset cpl DHW080 |
| 085C10 | 263002-9 | Rubber Pen 4 6413 A |
| 086 | 922233-6 | ZESKANTBOUT EM4351UH P |
| 087 | 122F16-2 | Pompunit HW001G |
| 088 | 265D26-5 | Inbusbout M8x55mm HW001G |
| 089 | 257A23-7 | Bus 8mm HW001G |
| 090 | 413T32-2 | Wiel 140mm HW001G |
| 091 | 327C28-4 | Plaat HW001G |
| 092 | 413T23-3 | Bodemplaat HW001G |
| 093 | 266326-2 | Tap Schroef 4X18mm P |

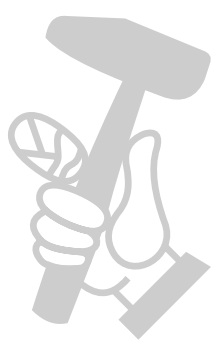
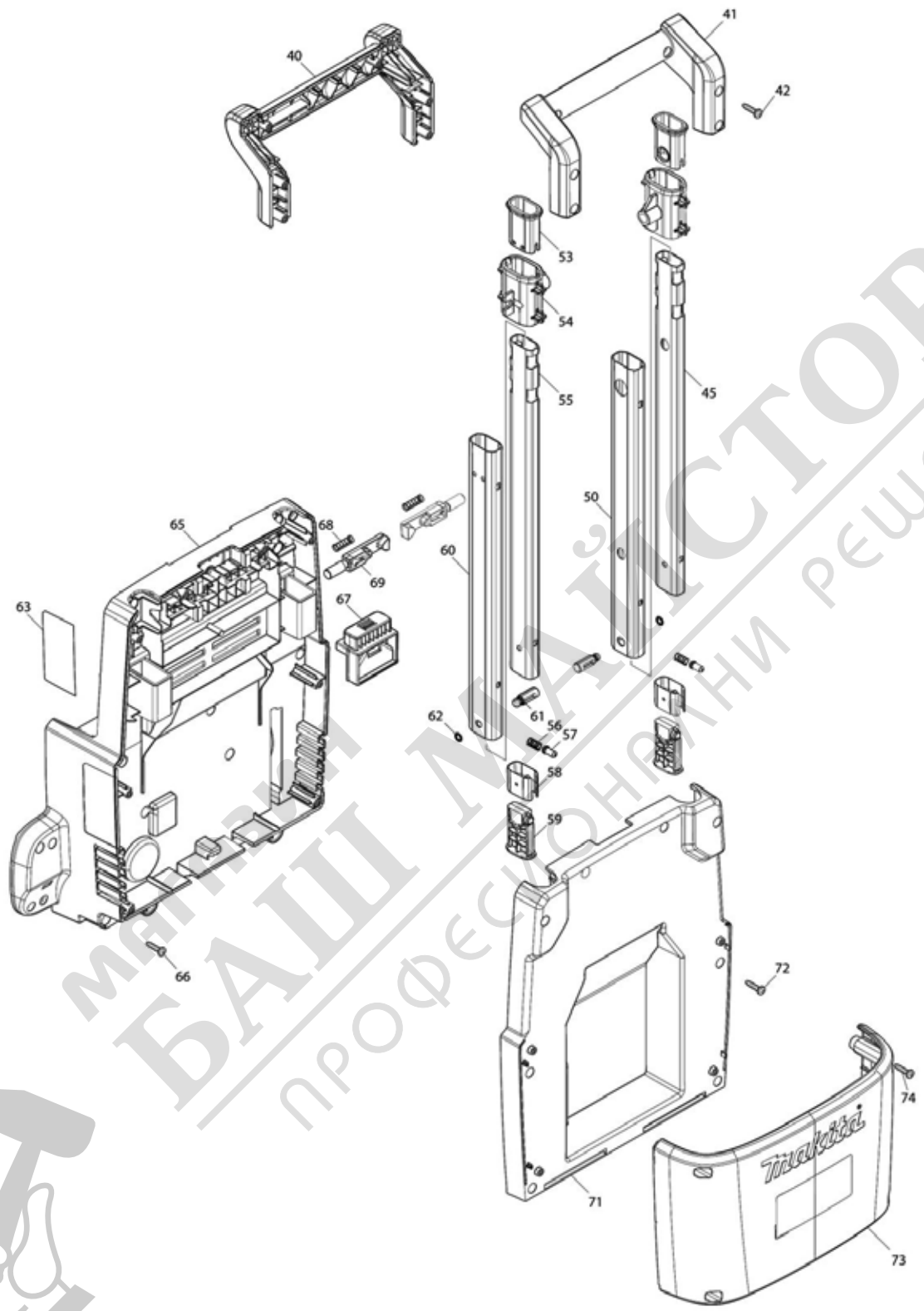
| Nr. | Part nr. | Name |
|--------|----------|-------------------------------|
| 094 | 266326-2 | Tap Schroef 4X18mm P |
| 095 | 422A59-7 | Voetrubber HW001G |
| 096 | 252274-1 | Tapschroef 4x18mm PDC1200 |
| 100 | 213706-3 | O-ring 67mm DHW080 |
| 101 | 210032-1 | Kogellager 628DDW |
| 102 | 221597-8 | Tandwiel 47 DHW080 |
| 103 | 327076-5 | As DHW080 |
| 104 | 161821-6 | Pomphuis DHW080 |
| 105 | 347B66-4 | Wobble plaat 8,5 HW001G |
| 106 | 265D25-7 | Inbusb. M6x20mm HW001G |
| 107 | 210275-5 | Druklager 2454 HW001G |
| 108 | 961052-5 | Borgring S-12 |
| 111 | 327075-7 | Zuigerpen DHW080 |
| 112 | 347340-8 | Borgring C DHW080 |
| 113 | 232434-1 | Drukveer 22mm DHW080 |
| 114 | 213706-3 | O-ring 67mm DHW080 |
| 115 | 922233-6 | ZESKANTBOUT EM4351UH P |
| 116 | 319670-7 | Pompcilinder DHW080 |
| 117 | 213861-1 | Keerring 12mm DHW080 |
| 118 | 413T06-3 | Keerringhouder 12mm HW001G |
| 119 | 422A58-9 | Pakkingring 12mm HW001G |
| 120 | 312E45-9 | Zuigerhuis HW001G |
| 121 | 213656-2 | O-Ring 53 |
| 122 | 141S01-4 | Klep cpl B HW001G |
| 123 | 141S00-6 | Klep cpl A HW001G |
| 124 | 413T11-0 | Klephouder HW001G |
| 125 | 213A49-9 | O-Ring 22 21,89X2,62mm HW001G |
| 126 | 213238-0 | O-ring 13mm DHW080 |
| 127 | 213005-3 | O-Ring 5 Gs5000 |
| 128 | 232433-3 | Drukveer 6mm DHW080 |
| 129 | 458322-6 | Veerhouder A DHW080 |
| 130 | 213055-8 | O-Ring 10 AF500HP A |
| 131 | 413T10-2 | Stelbushouder HW001G |
| 132 | 213011-8 | O-Ring 7 |
| 135 | 413T05-5 | Inlaatklep HW001G |
| 136 | 422409-0 | Buffer DHW080 |
| 137 | 213176-6 | O-Ring 14 Hm1214C |
| 138 | 137025-2 | Ontluchtungsklep HW001G |
| 138C10 | 213005-3 | O-Ring 5 Gs5000 |
| 145 | 327C22-6 | Pen U HW001G |
| 146 | 312E46-7 | Pomphuis HW001G |
| 147 | 265A33-0 | Inbusb. M5x50mm |
| 148 | 266130-9 | Tapschroef 3X16 A |
| 149 | 327C25-0 | Uitlaatpuntstuk HW001G |
| 150 | 213176-6 | O-Ring 14 Hm1214C |
| 151 | 413T12-8 | Verbinder HW001G |

| Nr. | Part nr. | Name |
|-----|----------|--------------------------|
| 152 | 213176-6 | O-Ring 14 Hm1214C |
| 153 | 213A64-3 | O-ring 4mm HW001G |
| 154 | 413T07-1 | Sluitring poly 4B HW001G |
| 155 | 213A64-3 | O-ring 4mm HW001G |
| 156 | 232429-4 | Drukveer 11mm DHW080 |
| 157 | 413T08-9 | Sluitring poly 4A HW001G |
| 158 | 413T04-7 | Drukpin HW001G |
| 159 | 213922-7 | O-Ring 14 DHW080 A |
| 160 | 213223-3 | O-Ring 16 Voor 9036 |
| 161 | 458310-3 | Pompdekselkap DHW080 |
| 162 | 183Y99-1 | Schakelkast HW001G |
| 163 | 183Y99-1 | Schakelkast HW001G |
| 164 | 911028-2 | Schroef 3X16 Dub361 |
| 165 | 632V08-4 | Schakelaar HW001G |
| 166 | 422409-0 | Buffer DHW080 |
| 167 | 422409-0 | Buffer DHW080 |

МАГАЗИН МАЙСТОРА®
БАШ ПРОФЕСИОНАЛНИ РЕШЕНИЯ



Model No.HW001G CORDLESS HIGH PRESSURE WASHER



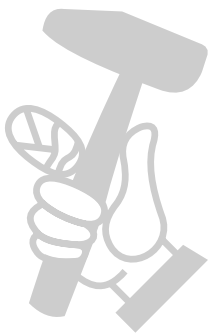
| Nr. | Part nr. | Name |
|--------|----------|---------------------------|
| 001 | 413T26-7 | Sluiting HW001G |
| 002 | 232821-4 | Drukveer 6 HW001G |
| 003 | 413T25-9 | Batterijdeksel HW001G |
| 004 | 327C24-2 | As 4mm HW001G |
| 005 | 232813-3 | Torsieveer 5 HW001G |
| 007 | 137021-0 | Batterijbox HW001G |
| 007C10 | 263005-3 | Rubber Pen 6 AC320H P |
| 008 | 232722-6 | Stelveer 4 VC001GL |
| 009 | 266326-2 | Tap Schroef 4X18mm P |
| 010 | 413B40-5 | Afdekkap VC001GL |
| 011 | 183Y95-9 | Batterijhouderhuis HW001G |
| 011C10 | 263005-3 | Rubber Pen 6 AC320H P |
| 012 | 632T08-2 | Circuitunit VC001GL |
| 013 | 652031-1 | Schroef M3X6 |
| 014 | 183Y95-9 | Batterijhouderhuis HW001G |
| 014C10 | 263005-3 | Rubber Pen 6 AC320H P |
| 015 | 266326-2 | Tap Schroef 4X18mm P |
| 016 | 413B41-3 | Borghendel VC001GL |
| 017 | 232472-3 | Drukveer 2mm JR001G |
| 018 | 8141C2-5 | Label serienr. HW001G |
| 019 | 413T33-0 | Batterijplaatkap HW001G |
| 020 | 413T30-6 | Batterijplaat HW001G |
| 021 | 266326-2 | Tap Schroef 4X18mm P |
| 022 | 413T29-1 | Acc.houder S HW001G |
| 023 | 137026-0 | Voorhuiset HW001G |
| 023C10 | 8071J7-1 | Indicatielabel HW001G |
| 023C20 | 8025F3-0 | Label XGT UX01G |
| 024 | 266326-2 | Tap Schroef 4X18mm P |
| 025 | 266326-2 | Tap Schroef 4X18mm P |
| 027 | 137019-7 | Binnenhuis assy HW001G |
| 027C10 | 263005-3 | Rubber Pen 6 AC320H P |
| 028 | 620M65-0 | Controller HW001G |
| 030 | 620M67-6 | Schakelcircuit HW001G |
| 030C10 | 539267-8 | Schakelplaat HW001G |
| 030C20 | 266490-9 | Parker Ck 2X6Mm DDF483 A |
| 031 | 620M68-4 | Circuit indicatie HW001G |
| 031C10 | 136981-3 | Schakelplaat HW001G |
| 031C20 | 266490-9 | Parker Ck 2X6Mm DDF483 A |
| 032 | 632V07-6 | Schakelunit HW001G |
| 033 | 413T27-5 | Schakelknop HW001G |
| 034 | 413U71-8 | Schakelpen HW001G |
| 035 | 232819-1 | Drukveer 3 HW001G |
| 036 | 961016-9 | Stopring E-10 P |
| 037 | 413T37-2 | Schakelpaneel HW001G |
| 038 | 266326-2 | Tap Schroef 4X18mm P |
| 040 | 1830A1-1 | Handgreepset HW001G |

| Nr. | Part nr. | Name |
|--------|----------|---------------------------|
| 041 | 1830A1-1 | Handgreepset HW001G |
| 042 | 266326-2 | Tap Schroef 4X18mm P |
| 045 | 327C41-2 | Duwboom boven R HW001G |
| 050 | 327C43-8 | Duwboom onder R HW001G |
| 053 | 413T20-9 | Bovenaanslag HW001G |
| 054 | 413T19-4 | Duwboomhouder HW001G |
| 055 | 327C42-0 | Duwboom boven L HW001G |
| 056 | 232820-6 | Drukveer 6 HW001G |
| 057 | 327C81-0 | Borgpin 5mm HW001G |
| 058 | 413T22-5 | Pijpaanslag HW001G |
| 059 | 413T21-7 | Onderaanslag HW001G |
| 060 | 327C44-6 | Duwboom onder L HW001G |
| 061 | 413T38-0 | Aanslagpen HW001G |
| 062 | 213005-3 | O-Ring 5 Gs5000 |
| 063 | 8141C0-9 | Naamplaat HW001G |
| 065 | 137020-2 | Achterhuisset HW001G |
| 065C10 | 263005-3 | Rubber Pen 6 AC320H P |
| 066 | 266326-2 | Tap Schroef 4X18mm P |
| 067 | 413T18-6 | Borgknop HW001G |
| 068 | 233068-3 | Drukveer 6Mm Am3643 |
| 069 | 413T34-8 | Borgpen HW001G |
| 071 | 413T15-2 | Achterkap HW001G |
| 072 | 266326-2 | Tap Schroef 4X18mm P |
| 073 | 141T09-4 | Acc.houder R HW001G |
| 073C10 | 809R02-9 | Waarschuwinglabel Hw1200* |
| 074 | 266326-2 | Tap Schroef 4X18mm P |
| 075 | 422250-1 | Stootrubber DHW080 |
| 076 | 458326-8 | Motorhuis DHW080 |
| 077 | 422409-0 | Buffer DHW080 |
| 078 | 629C40-3 | Veld HW001G |
| 079 | 458327-6 | Vulplaat DHW080 |
| 080 | 266326-2 | Tap Schroef 4X18mm P |
| 081 | 210062-2 | Kogellager 607Zz P |
| 082 | 519830-3 | Anker assy HW001G |
| 083 | 211131-2 | Kogellager 6001Dw |
| 084 | 922233-6 | ZESKANTBOUT EM4351UH P |
| 085 | 161823-2 | Tandwielset cpl DHW080 |
| 085C10 | 263002-9 | Rubber Pen 4 6413 A |
| 086 | 922233-6 | ZESKANTBOUT EM4351UH P |
| 087 | 122F16-2 | Pompunit HW001G |
| 088 | 265D26-5 | Inbusbout M8x55mm HW001G |
| 089 | 257A23-7 | Bus 8mm HW001G |
| 090 | 413T32-2 | Wiel 140mm HW001G |
| 091 | 327C28-4 | Plaat HW001G |
| 092 | 413T23-3 | Bodemplaat HW001G |
| 093 | 266326-2 | Tap Schroef 4X18mm P |

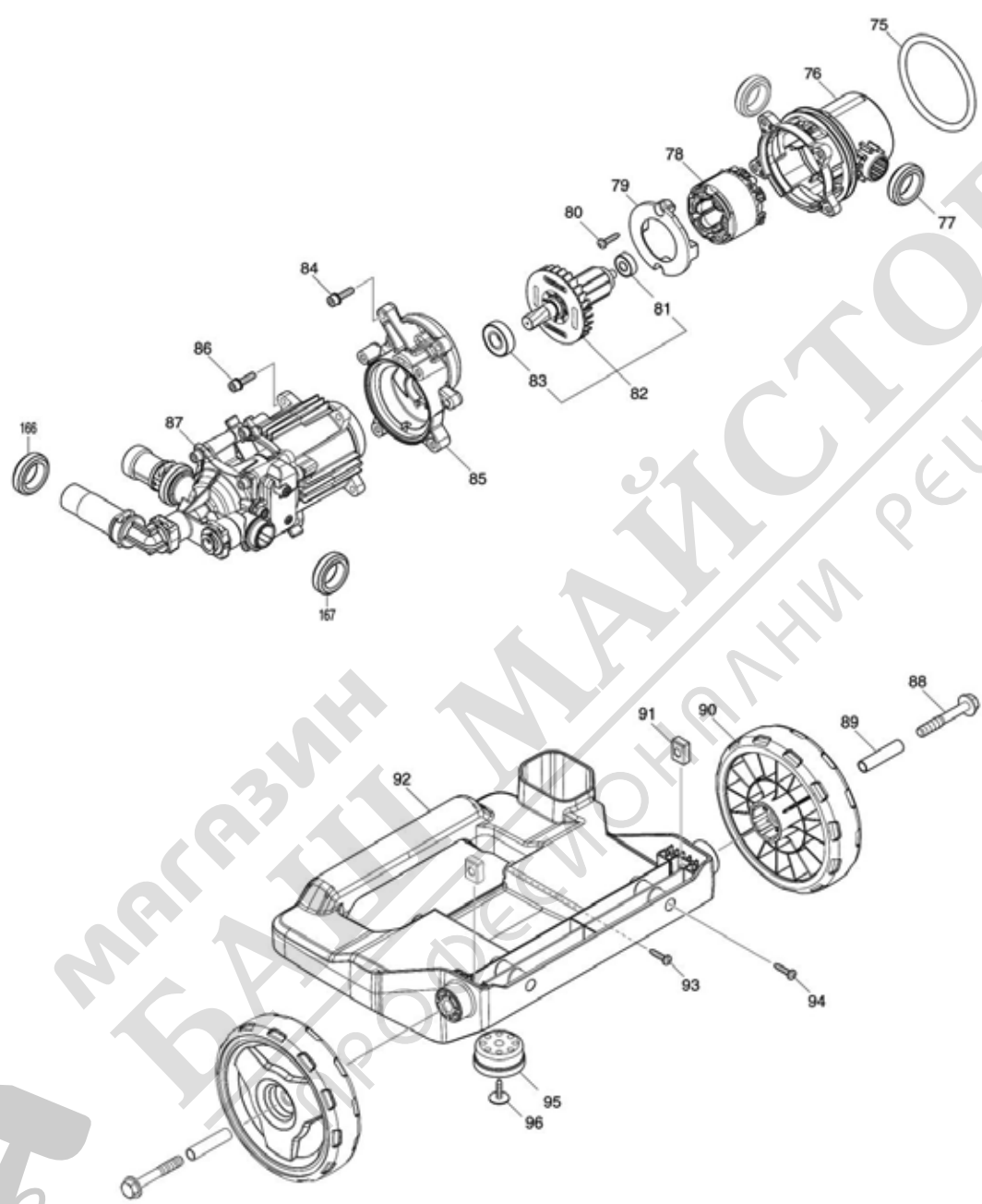
| Nr. | Part nr. | Name |
|--------|----------|-------------------------------|
| 094 | 266326-2 | Tap Schroef 4X18mm P |
| 095 | 422A59-7 | Voetrubber HW001G |
| 096 | 252274-1 | Tapschroef 4x18mm PDC1200 |
| 100 | 213706-3 | O-ring 67mm DHW080 |
| 101 | 210032-1 | Kogellager 628DDW |
| 102 | 221597-8 | Tandwiel 47 DHW080 |
| 103 | 327076-5 | As DHW080 |
| 104 | 161821-6 | Pomphuis DHW080 |
| 105 | 347B66-4 | Wobble plaat 8,5 HW001G |
| 106 | 265D25-7 | Inbusb. M6x20mm HW001G |
| 107 | 210275-5 | Druklager 2454 HW001G |
| 108 | 961052-5 | Borgring S-12 |
| 111 | 327075-7 | Zuigerpen DHW080 |
| 112 | 347340-8 | Borgring C DHW080 |
| 113 | 232434-1 | Drukveer 22mm DHW080 |
| 114 | 213706-3 | O-ring 67mm DHW080 |
| 115 | 922233-6 | ZESKANTBOUT EM4351UH P |
| 116 | 319670-7 | Pompcilinder DHW080 |
| 117 | 213861-1 | Keerring 12mm DHW080 |
| 118 | 413T06-3 | Keerringhouder 12mm HW001G |
| 119 | 422A58-9 | Pakkingring 12mm HW001G |
| 120 | 312E45-9 | Zuigerhuis HW001G |
| 121 | 213656-2 | O-Ring 53 |
| 122 | 141S01-4 | Klep cpl B HW001G |
| 123 | 141S00-6 | Klep cpl A HW001G |
| 124 | 413T11-0 | Klephouder HW001G |
| 125 | 213A49-9 | O-Ring 22 21,89X2,62mm HW001G |
| 126 | 213238-0 | O-ring 13mm DHW080 |
| 127 | 213005-3 | O-Ring 5 Gs5000 |
| 128 | 232433-3 | Drukveer 6mm DHW080 |
| 129 | 458322-6 | Veerhouder A DHW080 |
| 130 | 213055-8 | O-Ring 10 AF500HP A |
| 131 | 413T10-2 | Stelbushouder HW001G |
| 132 | 213011-8 | O-Ring 7 |
| 135 | 413T05-5 | Inlaatklep HW001G |
| 136 | 422409-0 | Buffer DHW080 |
| 137 | 213176-6 | O-Ring 14 Hm1214C |
| 138 | 137025-2 | Ontluchtungsklep HW001G |
| 138C10 | 213005-3 | O-Ring 5 Gs5000 |
| 145 | 327C22-6 | Pen U HW001G |
| 146 | 312E46-7 | Pomphuis HW001G |
| 147 | 265A33-0 | Inbusb. M5x50mm |
| 148 | 266130-9 | Tapschroef 3X16 A |
| 149 | 327C25-0 | Uitlaatpuntstuk HW001G |
| 150 | 213176-6 | O-Ring 14 Hm1214C |
| 151 | 413T12-8 | Verbinder HW001G |

| Nr. | Part nr. | Name |
|-----|----------|--------------------------|
| 152 | 213176-6 | O-Ring 14 Hm1214C |
| 153 | 213A64-3 | O-ring 4mm HW001G |
| 154 | 413T07-1 | Sluitring poly 4B HW001G |
| 155 | 213A64-3 | O-ring 4mm HW001G |
| 156 | 232429-4 | Drukveer 11mm DHW080 |
| 157 | 413T08-9 | Sluitring poly 4A HW001G |
| 158 | 413T04-7 | Drukpin HW001G |
| 159 | 213922-7 | O-Ring 14 DHW080 A |
| 160 | 213223-3 | O-Ring 16 Voor 9036 |
| 161 | 458310-3 | Pompdekselkap DHW080 |
| 162 | 183Y99-1 | Schakelkast HW001G |
| 163 | 183Y99-1 | Schakelkast HW001G |
| 164 | 911028-2 | Schroef 3X16 Dub361 |
| 165 | 632V08-4 | Schakelaar HW001G |
| 166 | 422409-0 | Buffer DHW080 |
| 167 | 422409-0 | Buffer DHW080 |

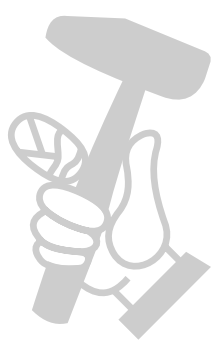
МАГАЗИН МАЙСТОРА®
 БАШ ПРОФЕСИОНАЛНИ РЕШЕНИЯ



Model No.HW001G CORDLESS HIGH PRESSURE WASHER



МАГАЗИН МАЙСТОРА
БАЛТИЙСКОЕ МОБИЛНИ РЕШЕНИЯ



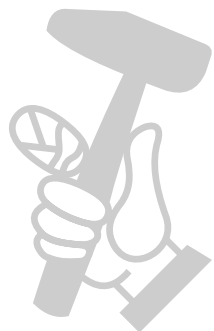
| Nr. | Part nr. | Name |
|--------|----------|---------------------------|
| 001 | 413T26-7 | Sluiting HW001G |
| 002 | 232821-4 | Drukveer 6 HW001G |
| 003 | 413T25-9 | Batterijdeksel HW001G |
| 004 | 327C24-2 | As 4mm HW001G |
| 005 | 232813-3 | Torsieveer 5 HW001G |
| 007 | 137021-0 | Batterijbox HW001G |
| 007C10 | 263005-3 | Rubber Pen 6 AC320H P |
| 008 | 232722-6 | Stelveer 4 VC001GL |
| 009 | 266326-2 | Tap Schroef 4X18mm P |
| 010 | 413B40-5 | Afdekkap VC001GL |
| 011 | 183Y95-9 | Batterijhouderhuis HW001G |
| 011C10 | 263005-3 | Rubber Pen 6 AC320H P |
| 012 | 632T08-2 | Circuitunit VC001GL |
| 013 | 652031-1 | Schroef M3X6 |
| 014 | 183Y95-9 | Batterijhouderhuis HW001G |
| 014C10 | 263005-3 | Rubber Pen 6 AC320H P |
| 015 | 266326-2 | Tap Schroef 4X18mm P |
| 016 | 413B41-3 | Borghendel VC001GL |
| 017 | 232472-3 | Drukveer 2mm JR001G |
| 018 | 8141C2-5 | Label serienr. HW001G |
| 019 | 413T33-0 | Batterijplaatkap HW001G |
| 020 | 413T30-6 | Batterijplaat HW001G |
| 021 | 266326-2 | Tap Schroef 4X18mm P |
| 022 | 413T29-1 | Acc.houder S HW001G |
| 023 | 137026-0 | Voorhuiset HW001G |
| 023C10 | 8071J7-1 | Indicatielabel HW001G |
| 023C20 | 8025F3-0 | Label XGT UX01G |
| 024 | 266326-2 | Tap Schroef 4X18mm P |
| 025 | 266326-2 | Tap Schroef 4X18mm P |
| 027 | 137019-7 | Binnenhuis assy HW001G |
| 027C10 | 263005-3 | Rubber Pen 6 AC320H P |
| 028 | 620M65-0 | Controller HW001G |
| 030 | 620M67-6 | Schakelcircuit HW001G |
| 030C10 | 539267-8 | Schakelplaat HW001G |
| 030C20 | 266490-9 | Parker Ck 2X6Mm DDF483 A |
| 031 | 620M68-4 | Circuit indicatie HW001G |
| 031C10 | 136981-3 | Schakelplaat HW001G |
| 031C20 | 266490-9 | Parker Ck 2X6Mm DDF483 A |
| 032 | 632V07-6 | Schakelunit HW001G |
| 033 | 413T27-5 | Schakelknop HW001G |
| 034 | 413U71-8 | Schakelpen HW001G |
| 035 | 232819-1 | Drukveer 3 HW001G |
| 036 | 961016-9 | Stopring E-10 P |
| 037 | 413T37-2 | Schakelpaneel HW001G |
| 038 | 266326-2 | Tap Schroef 4X18mm P |
| 040 | 1830A1-1 | Handgreepset HW001G |

| Nr. | Part nr. | Name |
|--------|----------|----------------------------|
| 041 | 1830A1-1 | Handgreepset HW001G |
| 042 | 266326-2 | Tap Schroef 4X18mm P |
| 045 | 327C41-2 | Duwboom boven R HW001G |
| 050 | 327C43-8 | Duwboom onder R HW001G |
| 053 | 413T20-9 | Bovenaanslag HW001G |
| 054 | 413T19-4 | Duwboomhouder HW001G |
| 055 | 327C42-0 | Duwboom boven L HW001G |
| 056 | 232820-6 | Drukveer 6 HW001G |
| 057 | 327C81-0 | Borgpin 5mm HW001G |
| 058 | 413T22-5 | Pijpaanslag HW001G |
| 059 | 413T21-7 | Onderaanslag HW001G |
| 060 | 327C44-6 | Duwboom onder L HW001G |
| 061 | 413T38-0 | Aanslagpen HW001G |
| 062 | 213005-3 | O-Ring 5 Gs5000 |
| 063 | 8141C0-9 | Naamplaat HW001G |
| 065 | 137020-2 | Achterhuisset HW001G |
| 065C10 | 263005-3 | Rubber Pen 6 AC320H P |
| 066 | 266326-2 | Tap Schroef 4X18mm P |
| 067 | 413T18-6 | Borgknop HW001G |
| 068 | 233068-3 | Drukveer 6Mm Am3643 |
| 069 | 413T34-8 | Borgpen HW001G |
| 071 | 413T15-2 | Achterkap HW001G |
| 072 | 266326-2 | Tap Schroef 4X18mm P |
| 073 | 141T09-4 | Acc.houder R HW001G |
| 073C10 | 809R02-9 | Waarschuwingslabel Hw1200* |
| 074 | 266326-2 | Tap Schroef 4X18mm P |
| 075 | 422250-1 | Stootrubber DHW080 |
| 076 | 458326-8 | Motorhuis DHW080 |
| 077 | 422409-0 | Buffer DHW080 |
| 078 | 629C40-3 | Veld HW001G |
| 079 | 458327-6 | Vulplaat DHW080 |
| 080 | 266326-2 | Tap Schroef 4X18mm P |
| 081 | 210062-2 | Kogellager 607Zz P |
| 082 | 519830-3 | Anker assy HW001G |
| 083 | 211131-2 | Kogellager 6001Dw |
| 084 | 922233-6 | ZESKANTBOUT EM4351UH P |
| 085 | 161823-2 | Tandwielset cpl DHW080 |
| 085C10 | 263002-9 | Rubber Pen 4 6413 A |
| 086 | 922233-6 | ZESKANTBOUT EM4351UH P |
| 087 | 122F16-2 | Pompunit HW001G |
| 088 | 265D26-5 | Inbusbout M8x55mm HW001G |
| 089 | 257A23-7 | Bus 8mm HW001G |
| 090 | 413T32-2 | Wiel 140mm HW001G |
| 091 | 327C28-4 | Plaat HW001G |
| 092 | 413T23-3 | Bodemplaat HW001G |
| 093 | 266326-2 | Tap Schroef 4X18mm P |

| Nr. | Part nr. | Name |
|--------|----------|-------------------------------|
| 094 | 266326-2 | Tap Schroef 4X18mm P |
| 095 | 422A59-7 | Voetrubber HW001G |
| 096 | 252274-1 | Tapschroef 4x18mm PDC1200 |
| 100 | 213706-3 | O-ring 67mm DHW080 |
| 101 | 210032-1 | Kogellager 628DDW |
| 102 | 221597-8 | Tandwiel 47 DHW080 |
| 103 | 327076-5 | As DHW080 |
| 104 | 161821-6 | Pomphuis DHW080 |
| 105 | 347B66-4 | Wobble plaat 8,5 HW001G |
| 106 | 265D25-7 | Inbusb. M6x20mm HW001G |
| 107 | 210275-5 | Druklager 2454 HW001G |
| 108 | 961052-5 | Borgring S-12 |
| 111 | 327075-7 | Zuigerpen DHW080 |
| 112 | 347340-8 | Borgring C DHW080 |
| 113 | 232434-1 | Drukveer 22mm DHW080 |
| 114 | 213706-3 | O-ring 67mm DHW080 |
| 115 | 922233-6 | ZESKANTBOUT EM4351UH P |
| 116 | 319670-7 | Pompcilinder DHW080 |
| 117 | 213861-1 | Keerring 12mm DHW080 |
| 118 | 413T06-3 | Keerringhouder 12mm HW001G |
| 119 | 422A58-9 | Pakkingring 12mm HW001G |
| 120 | 312E45-9 | Zuigerhuis HW001G |
| 121 | 213656-2 | O-Ring 53 |
| 122 | 141S01-4 | Klep cpl B HW001G |
| 123 | 141S00-6 | Klep cpl A HW001G |
| 124 | 413T11-0 | Klephouder HW001G |
| 125 | 213A49-9 | O-Ring 22 21,89X2,62mm HW001G |
| 126 | 213238-0 | O-ring 13mm DHW080 |
| 127 | 213005-3 | O-Ring 5 Gs5000 |
| 128 | 232433-3 | Drukveer 6mm DHW080 |
| 129 | 458322-6 | Veerhouder A DHW080 |
| 130 | 213055-8 | O-Ring 10 AF500HP A |
| 131 | 413T10-2 | Stelbushouder HW001G |
| 132 | 213011-8 | O-Ring 7 |
| 135 | 413T05-5 | Inlaatklep HW001G |
| 136 | 422409-0 | Buffer DHW080 |
| 137 | 213176-6 | O-Ring 14 Hm1214C |
| 138 | 137025-2 | Ontluchtungsklep HW001G |
| 138C10 | 213005-3 | O-Ring 5 Gs5000 |
| 145 | 327C22-6 | Pen U HW001G |
| 146 | 312E46-7 | Pomphuis HW001G |
| 147 | 265A33-0 | Inbusb. M5x50mm |
| 148 | 266130-9 | Tapschroef 3X16 A |
| 149 | 327C25-0 | Uitlaatpuntstuk HW001G |
| 150 | 213176-6 | O-Ring 14 Hm1214C |
| 151 | 413T12-8 | Verbinder HW001G |

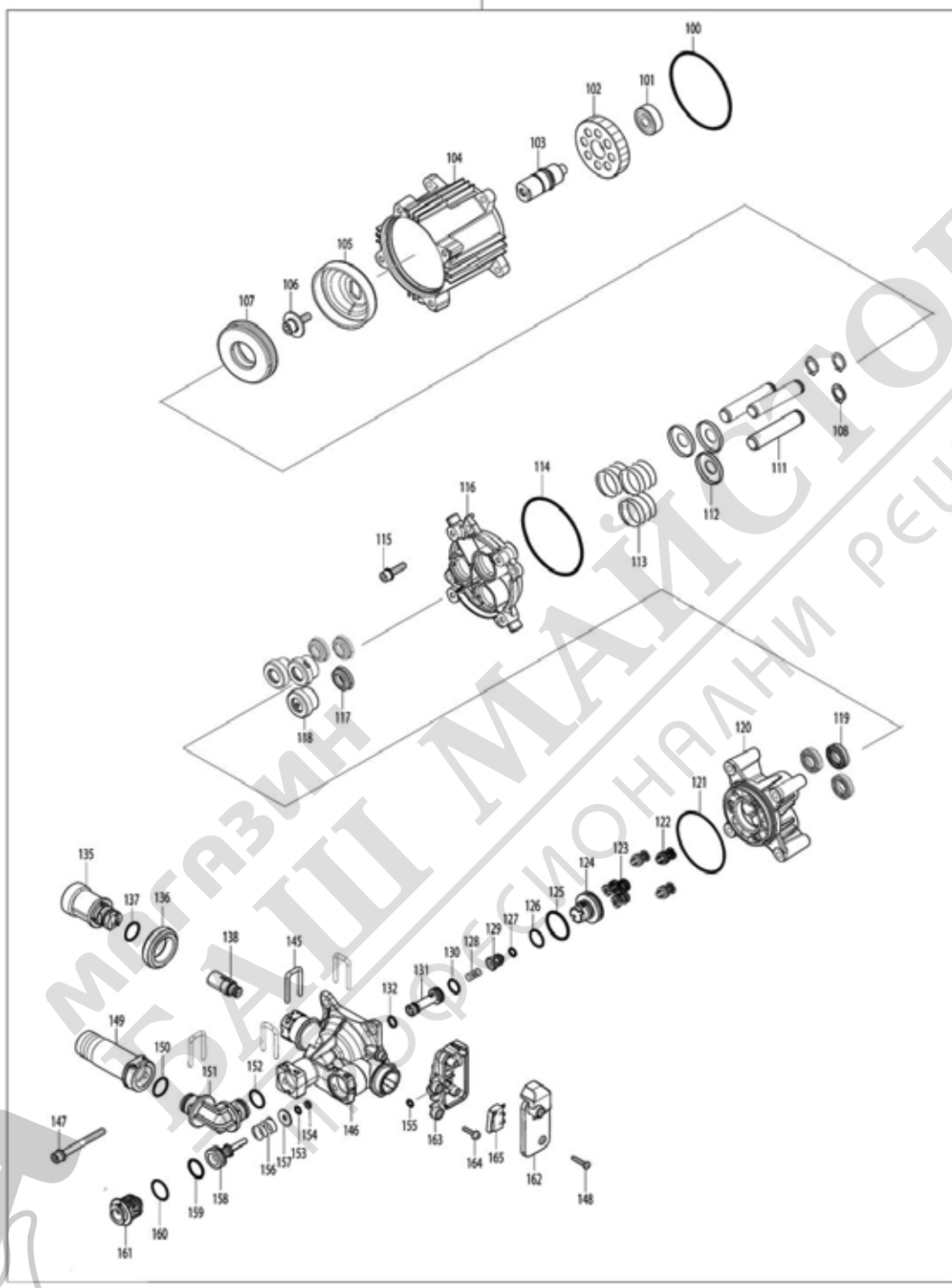
| Nr. | Part nr. | Name |
|-----|----------|--------------------------|
| 152 | 213176-6 | O-Ring 14 Hm1214C |
| 153 | 213A64-3 | O-ring 4mm HW001G |
| 154 | 413T07-1 | Sluitring poly 4B HW001G |
| 155 | 213A64-3 | O-ring 4mm HW001G |
| 156 | 232429-4 | Drukveer 11mm DHW080 |
| 157 | 413T08-9 | Sluitring poly 4A HW001G |
| 158 | 413T04-7 | Drukpin HW001G |
| 159 | 213922-7 | O-Ring 14 DHW080 A |
| 160 | 213223-3 | O-Ring 16 Voor 9036 |
| 161 | 458310-3 | Pompdekselkap DHW080 |
| 162 | 183Y99-1 | Schakelkast HW001G |
| 163 | 183Y99-1 | Schakelkast HW001G |
| 164 | 911028-2 | Schroef 3X16 Dub361 |
| 165 | 632V08-4 | Schakelaar HW001G |
| 166 | 422409-0 | Buffer DHW080 |
| 167 | 422409-0 | Buffer DHW080 |

МАГАЗИН МАЙСТОРА®
БАШ ПРОФЕСИОНАЛНИ РЕШЕНИЯ



Model No.HW001G CORDLESS HIGH PRESSURE WASHER

87



| Nr. | Part nr. | Name |
|--------|----------|---------------------------|
| 001 | 413T26-7 | Sluiting HW001G |
| 002 | 232821-4 | Drukveer 6 HW001G |
| 003 | 413T25-9 | Batterijdeksel HW001G |
| 004 | 327C24-2 | As 4mm HW001G |
| 005 | 232813-3 | Torsieveer 5 HW001G |
| 007 | 137021-0 | Batterijbox HW001G |
| 007C10 | 263005-3 | Rubber Pen 6 AC320H P |
| 008 | 232722-6 | Stelveer 4 VC001GL |
| 009 | 266326-2 | Tap Schroef 4X18mm P |
| 010 | 413B40-5 | Afdekkap VC001GL |
| 011 | 183Y95-9 | Batterijhouderhuis HW001G |
| 011C10 | 263005-3 | Rubber Pen 6 AC320H P |
| 012 | 632T08-2 | Circuitunit VC001GL |
| 013 | 652031-1 | Schroef M3X6 |
| 014 | 183Y95-9 | Batterijhouderhuis HW001G |
| 014C10 | 263005-3 | Rubber Pen 6 AC320H P |
| 015 | 266326-2 | Tap Schroef 4X18mm P |
| 016 | 413B41-3 | Borghendel VC001GL |
| 017 | 232472-3 | Drukveer 2mm JR001G |
| 018 | 8141C2-5 | Label serienr. HW001G |
| 019 | 413T33-0 | Batterijplaatkap HW001G |
| 020 | 413T30-6 | Batterijplaat HW001G |
| 021 | 266326-2 | Tap Schroef 4X18mm P |
| 022 | 413T29-1 | Acc.houder S HW001G |
| 023 | 137026-0 | Voorhuiset HW001G |
| 023C10 | 8071J7-1 | Indicatielabel HW001G |
| 023C20 | 8025F3-0 | Label XGT UX01G |
| 024 | 266326-2 | Tap Schroef 4X18mm P |
| 025 | 266326-2 | Tap Schroef 4X18mm P |
| 027 | 137019-7 | Binnenhuis assy HW001G |
| 027C10 | 263005-3 | Rubber Pen 6 AC320H P |
| 028 | 620M65-0 | Controller HW001G |
| 030 | 620M67-6 | Schakelcircuit HW001G |
| 030C10 | 539267-8 | Schakelplaat HW001G |
| 030C20 | 266490-9 | Parker Ck 2X6Mm DDF483 A |
| 031 | 620M68-4 | Circuit indicatie HW001G |
| 031C10 | 136981-3 | Schakelplaat HW001G |
| 031C20 | 266490-9 | Parker Ck 2X6Mm DDF483 A |
| 032 | 632V07-6 | Schakelunit HW001G |
| 033 | 413T27-5 | Schakelknop HW001G |
| 034 | 413U71-8 | Schakelpen HW001G |
| 035 | 232819-1 | Drukveer 3 HW001G |
| 036 | 961016-9 | Stopring E-10 P |
| 037 | 413T37-2 | Schakelpaneel HW001G |
| 038 | 266326-2 | Tap Schroef 4X18mm P |
| 040 | 1830A1-1 | Handgreepset HW001G |

| Nr. | Part nr. | Name |
|--------|----------|---------------------------|
| 041 | 1830A1-1 | Handgreepset HW001G |
| 042 | 266326-2 | Tap Schroef 4X18mm P |
| 045 | 327C41-2 | Duwboom boven R HW001G |
| 050 | 327C43-8 | Duwboom onder R HW001G |
| 053 | 413T20-9 | Bovenaanslag HW001G |
| 054 | 413T19-4 | Duwboomhouder HW001G |
| 055 | 327C42-0 | Duwboom boven L HW001G |
| 056 | 232820-6 | Drukveer 6 HW001G |
| 057 | 327C81-0 | Borgpin 5mm HW001G |
| 058 | 413T22-5 | Pijpaanslag HW001G |
| 059 | 413T21-7 | Onderaanslag HW001G |
| 060 | 327C44-6 | Duwboom onder L HW001G |
| 061 | 413T38-0 | Aanslagpen HW001G |
| 062 | 213005-3 | O-Ring 5 Gs5000 |
| 063 | 8141C0-9 | Naamplaat HW001G |
| 065 | 137020-2 | Achterhuisset HW001G |
| 065C10 | 263005-3 | Rubber Pen 6 AC320H P |
| 066 | 266326-2 | Tap Schroef 4X18mm P |
| 067 | 413T18-6 | Borgknop HW001G |
| 068 | 233068-3 | Drukveer 6Mm Am3643 |
| 069 | 413T34-8 | Borgpen HW001G |
| 071 | 413T15-2 | Achterkap HW001G |
| 072 | 266326-2 | Tap Schroef 4X18mm P |
| 073 | 141T09-4 | Acc.houder R HW001G |
| 073C10 | 809R02-9 | Waarschuwinglabel Hw1200* |
| 074 | 266326-2 | Tap Schroef 4X18mm P |
| 075 | 422250-1 | Stootrubber DHW080 |
| 076 | 458326-8 | Motorhuis DHW080 |
| 077 | 422409-0 | Buffer DHW080 |
| 078 | 629C40-3 | Veld HW001G |
| 079 | 458327-6 | Vulplaat DHW080 |
| 080 | 266326-2 | Tap Schroef 4X18mm P |
| 081 | 210062-2 | Kogellager 607Zz P |
| 082 | 519830-3 | Anker assy HW001G |
| 083 | 211131-2 | Kogellager 6001Dw |
| 084 | 922233-6 | ZESKANTBOUT EM4351UH P |
| 085 | 161823-2 | Tandwielset cpl DHW080 |
| 085C10 | 263002-9 | Rubber Pen 4 6413 A |
| 086 | 922233-6 | ZESKANTBOUT EM4351UH P |
| 087 | 122F16-2 | Pompunit HW001G |
| 088 | 265D26-5 | Inbusbout M8x55mm HW001G |
| 089 | 257A23-7 | Bus 8mm HW001G |
| 090 | 413T32-2 | Wiel 140mm HW001G |
| 091 | 327C28-4 | Plaat HW001G |
| 092 | 413T23-3 | Bodemplaat HW001G |
| 093 | 266326-2 | Tap Schroef 4X18mm P |

| Nr. | Part nr. | Name |
|--------|----------|-------------------------------|
| 094 | 266326-2 | Tap Schroef 4X18mm P |
| 095 | 422A59-7 | Voetrubber HW001G |
| 096 | 252274-1 | Tapschroef 4x18mm PDC1200 |
| 100 | 213706-3 | O-ring 67mm DHW080 |
| 101 | 210032-1 | Kogellager 628DDW |
| 102 | 221597-8 | Tandwiel 47 DHW080 |
| 103 | 327076-5 | As DHW080 |
| 104 | 161821-6 | Pomphuis DHW080 |
| 105 | 347B66-4 | Wobble plaat 8,5 HW001G |
| 106 | 265D25-7 | Inbusb. M6x20mm HW001G |
| 107 | 210275-5 | Druklager 2454 HW001G |
| 108 | 961052-5 | Borgring S-12 |
| 111 | 327075-7 | Zuigerpen DHW080 |
| 112 | 347340-8 | Borgring C DHW080 |
| 113 | 232434-1 | Drukveer 22mm DHW080 |
| 114 | 213706-3 | O-ring 67mm DHW080 |
| 115 | 922233-6 | ZESKANTBOUT EM4351UH P |
| 116 | 319670-7 | Pompcilinder DHW080 |
| 117 | 213861-1 | Keerring 12mm DHW080 |
| 118 | 413T06-3 | Keerringhouder 12mm HW001G |
| 119 | 422A58-9 | Pakkingring 12mm HW001G |
| 120 | 312E45-9 | Zuigerhuis HW001G |
| 121 | 213656-2 | O-Ring 53 |
| 122 | 141S01-4 | Klep cpl B HW001G |
| 123 | 141S00-6 | Klep cpl A HW001G |
| 124 | 413T11-0 | Klephouder HW001G |
| 125 | 213A49-9 | O-Ring 22 21,89X2,62mm HW001G |
| 126 | 213238-0 | O-ring 13mm DHW080 |
| 127 | 213005-3 | O-Ring 5 Gs5000 |
| 128 | 232433-3 | Drukveer 6mm DHW080 |
| 129 | 458322-6 | Veerhouder A DHW080 |
| 130 | 213055-8 | O-Ring 10 AF500HP A |
| 131 | 413T10-2 | Stelbushouder HW001G |
| 132 | 213011-8 | O-Ring 7 |
| 135 | 413T05-5 | Inlaatklep HW001G |
| 136 | 422409-0 | Buffer DHW080 |
| 137 | 213176-6 | O-Ring 14 Hm1214C |
| 138 | 137025-2 | Ontluchtungsklep HW001G |
| 138C10 | 213005-3 | O-Ring 5 Gs5000 |
| 145 | 327C22-6 | Pen U HW001G |
| 146 | 312E46-7 | Pomphuis HW001G |
| 147 | 265A33-0 | Inbusb. M5x50mm |
| 148 | 266130-9 | Tapschroef 3X16 A |
| 149 | 327C25-0 | Uitlaatpuntstuk HW001G |
| 150 | 213176-6 | O-Ring 14 Hm1214C |
| 151 | 413T12-8 | Verbinder HW001G |

| Nr. | Part nr. | Name |
|-----|----------|--------------------------|
| 152 | 213176-6 | O-Ring 14 Hm1214C |
| 153 | 213A64-3 | O-ring 4mm HW001G |
| 154 | 413T07-1 | Sluitring poly 4B HW001G |
| 155 | 213A64-3 | O-ring 4mm HW001G |
| 156 | 232429-4 | Drukveer 11mm DHW080 |
| 157 | 413T08-9 | Sluitring poly 4A HW001G |
| 158 | 413T04-7 | Drukpin HW001G |
| 159 | 213922-7 | O-Ring 14 DHW080 A |
| 160 | 213223-3 | O-Ring 16 Voor 9036 |
| 161 | 458310-3 | Pompdekselkap DHW080 |
| 162 | 183Y99-1 | Schakelkast HW001G |
| 163 | 183Y99-1 | Schakelkast HW001G |
| 164 | 911028-2 | Schroef 3X16 Dub361 |
| 165 | 632V08-4 | Schakelaar HW001G |
| 166 | 422409-0 | Buffer DHW080 |
| 167 | 422409-0 | Buffer DHW080 |

МАГАЗИН МАЙСТОРА®
БАШ ПРОФЕСИОНАЛНИ РЕШЕНИЯ

