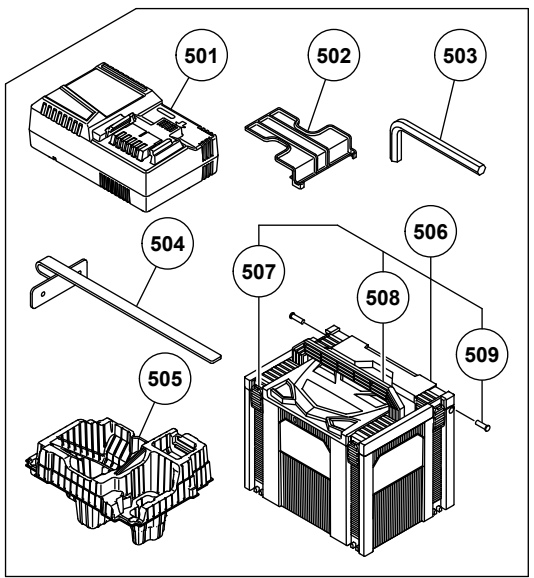


- 74 78
- 81 ~ 86 97

- 39 ~ 41 69 ~ 73
- 75 ~ 77 88 ~ 96



MODEL
C1806DUM

HIKOKI

CORDLESS CIRCULAR SAW C1806DUM

Item No.	Code No.	Description	No. Used	Remarks
1	338914	COVER	1	
2	307811	TAPPING SCREW (W/FLANGE) D4X16 (BLACK)	12	
3	880881	MACHINE SCREW (W/WASHERS) M5X30 (BLACK)	3	
4	997841	MACHINE SCREW (W/WASHERS) M5X50 (BLACK)	1	
5		NAME PLATE	1	
6	379497	HOUSING SET (GREEN)	1	
7	379531	KNOB	1	
8	301631	SPRING (F)	2	
9	379530	TRIGGER	1	
10	379415	SWITCH	1	
11	315500	MACHINE SCREW (W/WASHER) M4X8 (BLACK)	2	
12	341145	STATOR SENSOR PCB ASS'Y (A)	1	INCLUD. 13
13	379536	LED	1	
14	334225	SPRING	1	
15	380800	KNURLED KNOB M6	1	
16	377691	SPRING	1	
17	379533	HEX. SOCKET PIN M5	1	
18	379529	NYLOCK SET SCREW M6	1	
19	380801	GEAR COVER	1	
20	310842	CUSHION	1	
21	333664	SPECIAL BOLT	1	
22	378683	BATTERY BSL 1850MA (EUROPE, AUS, NZL)	2	INCLUD. 502
23	379542	FAN GUIDE	1	
24	361204	ROTOR ASS'Y (B)	1	INCLUD. 25, 26
25	606ZZM	BALL BEARING 606VV	1	
26	609VVM	BALL BEARING 609VVC2PS2L	1	
27	323211	MACHINE SCREW M4X8 (BLACK)	3	
28	379516	PLATE (L)	1	
29	379515	LOCK LEVER	1	
30	878609	O-RING (S-24)	1	
31	942827	RETAINING RING (E-TYPE) FOR D8 SHAFT	1	
32	379519	LEVER	1	
33	379521	SPRING PLATE	1	
34	379518	LOCK NUT (B)	1	
35	380789	GAUGE PLATE (A)	1	
36	379520	SPACER (A)	1	
37	379517	WASHER (S)	1	
38	372747	BOLT (SQUARE) M6	1	
39	379523	LINK	1	
40	379529	NYLOCK SET SCREW M6	2	
41	379526	SPRING	1	
42	329975	WASHER (A)	1	
43	379543	BEARING HOLDER ASS'Y	1	INCLUD. 44-50
44	379548	SECOND SHAFT (A)	1	
45	606ZZM	BALL BEARING 606VV	1	
46	338921	BEARING HOLDER	1	
47	379547	SPINDLE GEAR SET (A)	1	
48	949203	MACHINE SCREW M3X8 (10 PCS.)	2	
49	338922	BEARING COVER	1	
50	323118	BALL BEARING 6901VV-N	1	
51	951039	MACHINE SCREW (W/SP. WASHER) M4X12	3	
52	373078	RETURN SPRING	1	
53	939548	RETAINING RING FOR D22 SHAFT (10 PCS.)	1	

* ALTERNATIVE PARTS

HIKOKI

CORDLESS CIRCULAR SAW C1806DUM

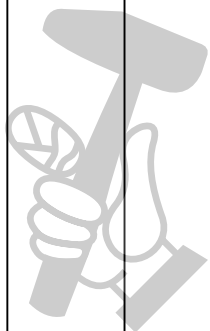
Item No.	Code No.	Description	No. Used	Remarks
54	339257	WASHER	1	
55	380798	LOWER GUARD	1	
56	338927	KNOB	1	
57	302090	TAPPING SCREW D4X10 (BLACK)	1	
58	376366	WASHER (A)	1	
59	376367	WASHER (B)	1	
60	338917	HEX. FLANGE BOLT	1	
61	379509	NOZZLE COVER	1	
62	379537	FLOW GUIDE (C)	1	
63	338935	TCT SAW BLADE 165MM-D20 HOLE-NT24	1	
64	380145	FT MACHINE SCREW M4X14	1	
65	872470	O-RING (S-26)	1	
66	379510	DUST NOZZLE (B)	1	
67	379551	SAW COVER (B)	1	
68	333781	MACHINE SCREW (W/WASHER) M4X12 (BLACK)	1	
69	333660	SPECIAL NUT M6	1	
70	942827	RETAINING RING (E-TYPE) FOR D8 SHAFT	1	
71	333659	CLAMP LEVER	1	
72	380790	WASHER (S)	1	
73	380793	GAUGE PLATE (B)	1	
74	380796	SCREW (W/WASHERS) M5X12 (BLACK)	7	
75	380785	BEVEL PLATE (A)	1	
76	380795	SPECIAL BOLT	1	
77	380794	INDICATOR	1	
78	380799	SUB HANDLE ASS'Y	1	INCLUD. 2
79	377291	NYLON NUT M5	1	
80	995634	WASHER (B) D12.5	1	
81	379538	KNOB BOLT M6X17	1	
82	324876	SPRING	1	
83	315500	MACHINE SCREW (W/WASHER) M4X8 (BLACK)	1	
84	380797	GUIDE PIECE	1	
85	380783	BASE	1	
86	379529	NYLOCK SET SCREW M6	3	
87	379532	HINGE SHAFT	1	
88	380786	BEVEL PLATE (B)	1	
89	380906	SPECIAL BOLT (SHOULDER) M4	1	
90	380907	NYLON NUT M4	1	
91	371062	WASHER D4	1	
92	380788	LINK PLATE (B)	1	
93	380787	BEVEL PLATE (C)	1	
94	948167	SUPER LOCK WASHER M6	1	
95	380792	BOLT WASHER D6	1	
96	380791	WING NUT M6	1	
97	380784	BEVEL PLATE ASS'Y	1	INCLUD. 35, 39-41, 69-73, 75-77, 88-96
98	380782	BASE ASS'Y	1	INCLUD. 74, 78, 81-86, 97
		STANDARD ACCESSORIES		
501		CHARGER (MODEL UC 18YSL3)	1	
502	329897	BATTERY COVER	2	
503	944459	HEX. BAR WRENCH 5MM	1	
504	302756	GUIDE	1	
505	380802	INNER TRAY	1	
506	337528	CASE ASS'Y (STACKABLE 4)	1	INCLUD. 507-509
507	336472	LATCH	4	

* ALTERNATIVE PARTS

HIKOKI

CORDLESS CIRCULAR SAW C1806DUM

Item No.	Code No.	Description	No. Used	Remarks
508	336473	HANDLE	1	
509	336474	HINGE	2	
		OPTIONAL ACCESSORIES		
601	379259	CARRIER BAG	1	
602	379264	MITER FENCE	1	
603		CONNECTOR (4100080)	1	
604		GUIDE RAIL GR800 (4100071)	1	
605		GUIDE RAIL GR1600 (4100072)	1	
606		SPLINTER PROTECTION (4192077)	1	
607		SLIDING COATING (4192078)	1	
608		ADHESIVE RUBBER (4192079)	1	



МАГАЗИН МАЙСТОРА
БАШ МАЙСТОРА
ПРОФЕСИОНАЛНИ РЕШЕНИЯ