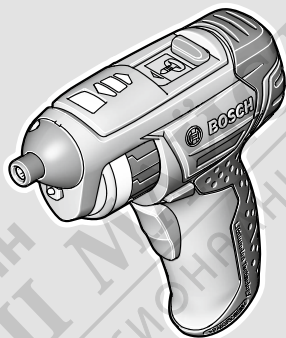


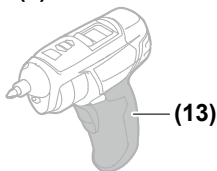
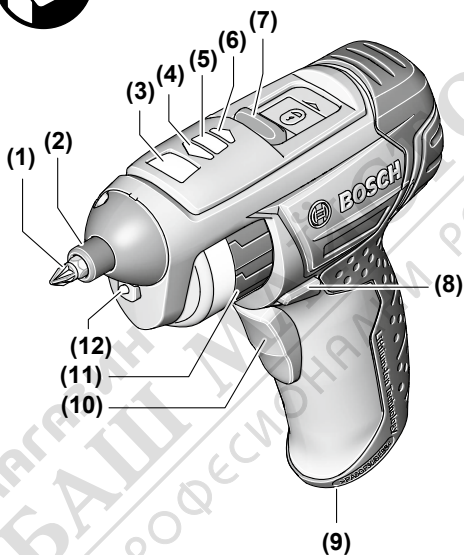


PSR Select

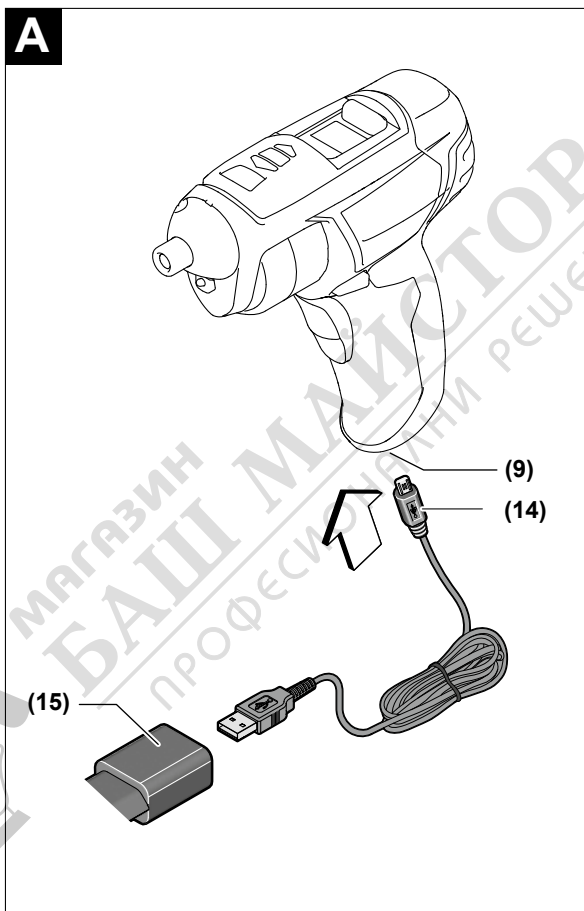


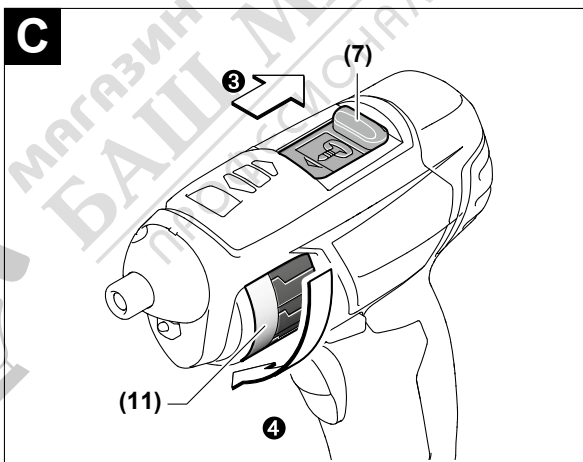
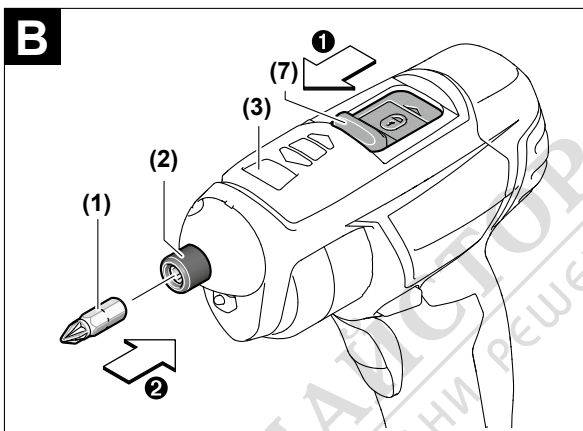
- de** Originalbetriebsanleitung
- en** Original instructions
- fr** Notice originale
- es** Manual original
- pt** Manual original
- it** Istruzioni originali
- nl** Oorspronkelijke
gebruiksaanwijzing
- da** Original brugsanvisning
- sv** Bruksanvisning i original
- no** Original driftsinstruks
- fi** Alkuperäiset ohjeet
- el** Πρωτότυπο οδηγιών χρήσης
- tr** Orijinal işletme talimatı
- ar** دليل التشغيل الأصلي

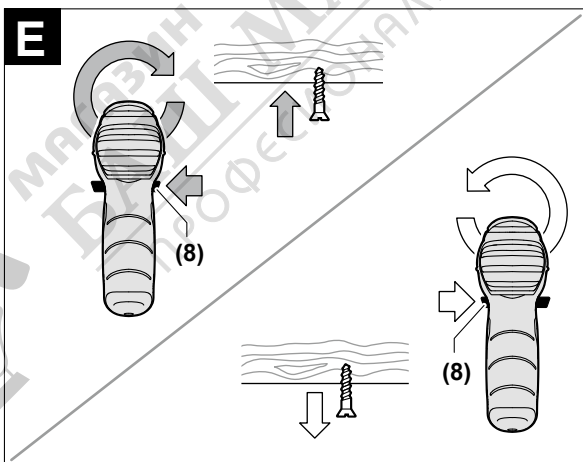
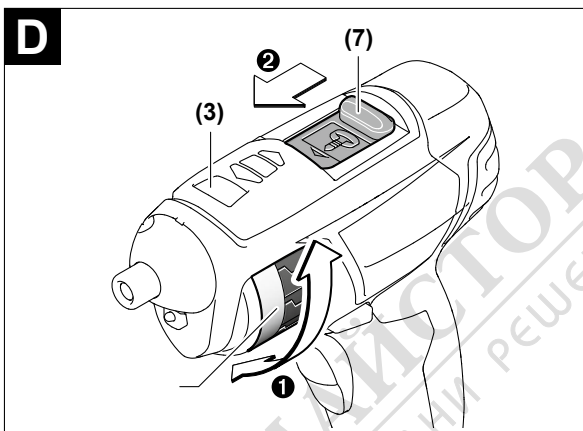




PSR Select

A





Akkus/Batterien:

Li-Ion:

Bitte beachten Sie die Hinweise im Abschnitt Transport (siehe „Transport“, Seite 20).

- ▶ **Integrierte Akkus dürfen zur Entsorgung nur von Fachpersonal entnommen werden.** Durch das Öffnen der Gehäuseschale kann das Elektrowerkzeug zerstört werden.

Um den Akku aus dem Elektrowerkzeug zu entnehmen, betätigen Sie das Elektrowerkzeug so lange, bis der Akku vollständig entladen ist. Drehen Sie die Schrauben am Gehäuse heraus und nehmen Sie die Gehäuseschale ab, um den Akku zu entnehmen. Um einen Kurzschluss zu verhindern, trennen Sie die Anschlüsse am Akku einzeln nacheinander und isolieren Sie anschließend die Pole. Auch bei vollständiger Entladung ist noch eine Restkapazität im Akku enthalten, die im Kurzschlussfall freigesetzt werden kann.

English

Safety Instructions

General Power Tool Safety Warnings

⚠ WARNING **Read all safety warnings, instructions, illustrations and specifications provided with this power tool.** Failure to follow all instructions listed below may result in electric shock, fire and/or serious injury.

Save all warnings and instructions for future reference.

The term "power tool" in the warnings refers to your mains-operated (corded) power tool or battery-operated (cordless) power tool.

Work area safety

- ▶ **Keep work area clean and well lit.** Cluttered or dark areas invite accidents.

- ▶ **Do not operate power tools in explosive atmospheres, such as in the presence of flammable liquids, gases or dust.** Power tools create sparks which may ignite the dust or fumes.
- ▶ **Keep children and bystanders away while operating a power tool.** Distractions can cause you to lose control.

Electrical safety

- ▶ **Power tool plugs must match the outlet. Never modify the plug in any way. Do not use any adapter plugs with earthed (grounded) power tools.** Unmodified plugs and matching outlets will reduce risk of electric shock.
- ▶ **Avoid body contact with earthed or grounded surfaces, such as pipes, radiators, ranges and refrigerators.** There is an increased risk of electric shock if your body is earthed or grounded.
- ▶ **Do not expose power tools to rain or wet conditions.** Water entering a power tool will increase the risk of electric shock.
- ▶ **Do not abuse the cord. Never use the cord for carrying, pulling or unplugging the power tool. Keep cord away from heat, oil, sharp edges or moving parts.** Damaged or entangled cords increase the risk of electric shock.
- ▶ **When operating a power tool outdoors, use an extension cord suitable for outdoor use.** Use of a cord suitable for outdoor use reduces the risk of electric shock.
- ▶ **If operating a power tool in a damp location is unavoidable, use a residual current device (RCD) protected supply.** Use of an RCD reduces the risk of electric shock.

Personal safety

- ▶ **Stay alert, watch what you are doing and use common sense when operating a power tool. Do not use a power tool while you are tired or under the influence of drugs, alcohol or medication.** A moment of inattention while operating power tools may result in serious personal injury.
- ▶ **Use personal protective equipment. Always wear eye protection.** Protective equipment such as a dust mask, non-skid safety shoes, hard hat or hearing protection used for appropriate conditions will reduce personal injuries.
- ▶ **Prevent unintentional starting. Ensure the switch is in the off-position before connecting to power source and/or battery pack, picking**

up or carrying the tool. Carrying power tools with your finger on the switch or energising power tools that have the switch on invites accidents.

- ▶ **Remove any adjusting key or wrench before turning the power tool on.** A wrench or a key left attached to a rotating part of the power tool may result in personal injury.
- ▶ **Do not overreach. Keep proper footing and balance at all times.** This enables better control of the power tool in unexpected situations.
- ▶ **Dress properly. Do not wear loose clothing or jewellery. Keep your hair and clothing away from moving parts.** Loose clothes, jewellery or long hair can be caught in moving parts.
- ▶ **If devices are provided for the connection of dust extraction and collection facilities, ensure these are connected and properly used.** Use of dust collection can reduce dust-related hazards.
- ▶ **Do not let familiarity gained from frequent use of tools allow you to become complacent and ignore tool safety principles.** A careless action can cause severe injury within a fraction of a second.

Power tool use and care

- ▶ **Do not force the power tool. Use the correct power tool for your application.** The correct power tool will do the job better and safer at the rate for which it was designed.
- ▶ **Do not use the power tool if the switch does not turn it on and off.** Any power tool that cannot be controlled with the switch is dangerous and must be repaired.
- ▶ **Disconnect the plug from the power source and/or remove the battery pack, if detachable, from the power tool before making any adjustments, changing accessories, or storing power tools.** Such preventive safety measures reduce the risk of starting the power tool accidentally.
- ▶ **Store idle power tools out of the reach of children and do not allow persons unfamiliar with the power tool or these instructions to operate the power tool.** Power tools are dangerous in the hands of untrained users.
- ▶ **Maintain power tools and accessories. Check for misalignment or binding of moving parts, breakage of parts and any other condition that may affect the power tool's operation. If damaged, have the**

power tool repaired before use. Many accidents are caused by poorly maintained power tools.

- ▶ **Keep cutting tools sharp and clean.** Properly maintained cutting tools with sharp cutting edges are less likely to bind and are easier to control.
- ▶ **Use the power tool, accessories and tool bits etc. in accordance with these instructions, taking into account the working conditions and the work to be performed.** Use of the power tool for operations different from those intended could result in a hazardous situation.
- ▶ **Keep handles and grasping surfaces dry, clean and free from oil and grease.** Slippery handles and grasping surfaces do not allow for safe handling and control of the tool in unexpected situations.

Battery tool use and care

- ▶ **Recharge only with the charger specified by the manufacturer.** A charger that is suitable for one type of battery pack may create a risk of fire when used with another battery pack.
- ▶ **Use power tools only with specifically designated battery packs.** Use of any other battery packs may create a risk of injury and fire.
- ▶ **When battery pack is not in use, keep it away from other metal objects, like paper clips, coins, keys, nails, screws or other small metal objects, that can make a connection from one terminal to another.** Shorting the battery terminals together may cause burns or a fire.
- ▶ **Under abusive conditions, liquid may be ejected from the battery; avoid contact. If contact accidentally occurs, flush with water. If liquid contacts eyes, additionally seek medical help.** Liquid ejected from the battery may cause irritation or burns.
- ▶ **Do not use a battery pack or tool that is damaged or modified.** Damaged or modified batteries may exhibit unpredictable behaviour resulting in fire, explosion or risk of injury.
- ▶ **Do not expose a battery pack or tool to fire or excessive temperature.** Exposure to fire or temperature above 130°C may cause explosion.
- ▶ **Follow all charging instructions and do not charge the battery pack or tool outside the temperature range specified in the instructions.** Charging improperly or at temperatures outside the specified range may damage the battery and increase the risk of fire.

Service

- ▶ **Have your power tool serviced by a qualified repair person using only identical replacement parts.** This will ensure that the safety of the power tool is maintained.
- ▶ **Never service damaged battery packs.** Service of battery packs should only be performed by the manufacturer or authorized service providers.

Safety Warnings for Screwdrivers

- ▶ **Hold the power tool by insulated gripping surfaces, when performing an operation where the fastener may contact hidden wiring.** Fasteners contacting a "live" wire may make exposed metal parts of the power tool "live" and could give the operator an electric shock.
- ▶ **Use suitable detectors to determine if there are hidden supply lines or contact the local utility company for assistance.** Contact with electric cables can cause fire and electric shock. Damaging gas lines can lead to explosion. Breaking water pipes causes property damage.
- ▶ **Hold the power tool securely.** When tightening and loosening screws be prepared for temporarily high torque reactions.
- ▶ **Before any work on the power tool (e.g. maintenance, tool change, etc.) as well as during transport and storage, set the rotational direction switch to the middle position.** There is risk of injury from unintentionally pressing the on/off switch.
- ▶ **Secure the workpiece.** A workpiece clamped with clamping devices or in a vice is held more secure than by hand.
- ▶ **Always wait until the power tool has come to a complete stop before placing it down.** The application tool can jam and cause you to lose control of the power tool.



Protect the power tool against heat, e.g. against continuous intense sunlight, fire, water, and moisture.

There is a risk of explosion.

Safety instructions for power supply

- ▶ **This power supply is not intended for use by children or persons with physical, sensory or mental limitations or a lack of experience or knowledge. This power supply can be used by children aged 8 or older and by persons who have physical, sensory or mental limita-**

tions or a lack of experience or knowledge if a person responsible for their safety supervises them or has instructed them in the safe operation of the power supply and they understand the associated dangers. Otherwise, there is a risk of operating errors and injuries.



Do not expose the power supply to rain or wet conditions. Water entering the power supply will increase the risk of electric shock.

- ▶ **Keep the power supply clean.** Dirt poses a risk of electric shock.
- ▶ **Always check the power supply before use. Stop using the power supply if you discover any damage. Do not open the power supply yourself, and have it repaired only by a qualified specialist using only original replacement parts.** Damaged power supplies increase the risk of electric shock.

Product Description and Specifications

Intended Use

The power tool is intended for screwing in and loosening screws.

Product Features

The numbering of the product features refers to the diagram of the power tool on the graphics page.

- (1) Screwdriver bit^{a)}
- (2) Tool holder
- (3) Viewing window
- (4) Right rotational direction indicator
- (5) Battery charge indicator
- (6) Left rotational direction indicator
- (7) Sliding switch for changing bits
- (8) Rotational direction switch
- (9) Micro USB port
- (10) On/off switch
- (11) Bit magazine

- (12) "PowerLight" lamp
 - (13) Handle (insulated gripping surface)
 - (14) Micro USB cable
 - (15) Power supply
- a) **Accessories shown or described are not included with the product as standard. You can find the complete selection of accessories in our accessories range.**

Technical Data

Cordless screwdriver		PSR Select
Article number		3 603 J77 0..
Rated voltage	V=	3.6
No-load speed	min ⁻¹	210
Max. torque, hard/soft screwdriving application according to ISO 5393	Nm	4.5/3.5
Max. screw diameter	mm	5
Weight according to EPTA-Procedure 01:2014	kg	0.5
Recommended ambient temperature during charging	°C	0 to +45
Permitted ambient temperature during operation and during storage	°C	-20 to +50
Battery^{A)}		Li-ion
Rated voltage	V=	3.6
Capacity	Ah	1.5
Number of battery cells		1
Recommended power supply		
Article number		2 609 120 713 (EU) 2 609 120 718 (UK) 2 609 120 717 (AUS)
Output voltage	V	5
Output current	A	1

Cordless screwdriver**PSR Select**

Protection class

□/II

For additional technical data, visit: www.bosch-do-it.com/ecodesign**Charging cable**

Article number

**1 607 000 CG9 (EU |
UK | AUS)**

A) The battery charging current is limited to 0.5 A on the device side.

Noise/Vibration InformationNoise emission values determined according to **EN 62841-2-2**.Typically, the A-weighted sound pressure level of the power tool is less than **70 dB(A)**. Uncertainty $K = 3$ dB.

The noise level when working can exceed 80 dB(A).

Wear hearing protectionTotal vibration values a_{th} (triax vector sum) and uncertainty K determined according to **EN 62841-2-2**:Screwdriving: $a_{th} < 2.5 \text{ m/s}^2$, $K = 1.5 \text{ m/s}^2$

The vibration level and noise emission value given in these instructions have been measured in accordance with a standardised measuring procedure and may be used to compare power tools. They may also be used for a preliminary estimation of vibration and noise emissions.

The stated vibration level and noise emission value represent the main applications of the power tool. However, if the power tool is used for other applications, with different application tools or is poorly maintained, the vibration level and noise emission value may differ. This may significantly increase the vibration and noise emissions over the total working period.

To estimate vibration and noise emissions accurately, the times when the tool is switched off or when it is running but not actually being used should also be taken into account. This may significantly reduce vibration and noise emissions over the total working period.

Implement additional safety measures to protect the operator from the effects of vibration, such as servicing the power tool and application tools, keeping their hands warm, and organising workflows correctly.

Assembly

- ▶ **Before any work on the power tool (e.g. maintenance, tool change, etc.) as well as during transport and storage, set the rotational direction switch to the middle position.** There is risk of injury from unintentionally pressing the on/off switch.

Battery charging (see figure A)

- ▶ **Do not use any other charger.** The supplied charger is matched to the lithium-ion battery that is fitted in your power tool.

Note: The battery is supplied partially charged. To ensure full battery capacity, fully charge the battery in the charger before using your power tool for the first time.

The lithium-ion battery can be charged at any time without reducing its service life. Interrupting the charging process does not damage the battery.

The lithium-ion battery is protected against deep discharge by the "Electronic Cell Protection (ECP)". When the battery is discharged, the power tool is switched off by means of a protective circuit: The application tool no longer rotates.

- ▶ **Do not continue to press the On/Off switch after the power tool has automatically switched off.** The battery can be damaged.

If the battery charge indicator **(5)** lights up **red** when you press the on/off switch **(10) half way in**, the remaining battery capacity is less than 30% and the battery should be charged.

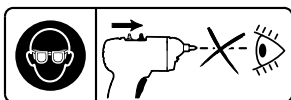
The micro USB port **(9)** for connecting the micro USB cable **(14)** is located in the handle. Connect the power tool to the power supply **(15)** using the micro USB cable **(14)** provided. Plug the power supply **(15)** into the plug socket. The charging process will begin.

The battery charge indicator **(5)** indicates the charging progress. The indicator **flashes green** during the charging process. When the battery is fully charged, the battery charge indicator **(5)** goes out. If the battery charge indicator **(5)** is **lit up in red**, the temperature of the battery is too high.

During the charging process, the handle of the power tool will heat up. This is normal. If you are not planning to use the power tool again soon, disconnect the charger from the mains. The power tool cannot be used during the charging process. It is not defective if it does not work during the charging process. Follow the instructions on correct disposal.

Follow the instructions on correct disposal.

Inserting the screwdriver bits into the bit magazine (see figures B-C)



Wear safety goggles when changing the tool. Do not look directly into the tool holder. When changing the application tool, there is a possibility that it may be ejected out-

wards.

Only insert one screwdriver bit per chamber into the bit magazine. Only use short standard screwdriver bits. Longer screwdriver bits cannot be loaded into the bit magazine.

Turn the bit magazine **(11)** until an empty chamber is visible in the viewing window **(3)**.

Push the sliding switch **(7)** forwards.

Insert the screwdriver bit **(1)** directly into the tool holder **(2)**.

Push the sliding switch **(7)** backwards to load the screwdriver bit **(1)** into the bit magazine **(11)**.

Once you have pushed the sliding switch **(7)** backwards or pressed the on/off switch **(10)** while it is in the rear position, the bit magazine **(11)** will be illuminated for approx. 20 seconds.

Changing the Tool (see figure D)

Wear safety goggles when changing the tool. Do not look directly into the tool holder. When changing the application tool, there is a possibility that it may be ejected outwards.

Turn the bit magazine **(11)** until the required screwdriver bit **(1)** is visible in the viewing window **(3)**.

Push the sliding switch **(7)** forwards.

Operation

Starting Operation

Set the rotational direction (see figure E)

The rotational direction switch (8) is used to change the rotational direction of the power tool. However, this is not possible while the on/off switch (10) is being pressed.

Right rotation: To drill and to drive in screws, press the rotational direction switch (8) through to the left stop.



The rotational direction indicator for right rotation (4) lights up when the on/off switch (10) is pressed and the motor is running.

Left Rotation: To loosen and unscrew screws and nuts, press the rotational direction switch (8) through to the right stop.



The rotational direction indicator for left rotation (6) lights up when the on/off switch (10) is pressed and the motor is running.

Switching on/off

Note: The power tool can only be switched on if the sliding switch (7) has been pushed forwards.

To **start** the power tool, press and hold the on/off switch (10).

The lamp (12) lights up when the on/off switch (10) is lightly or fully pressed, meaning that the work area is illuminated in poor lighting conditions.

To **switch off** the power tool, release the on/off switch (10).

The drill spindle is locked when the on/off switch (10) is not pressed.

If the drill spindle is blocked, do not press the on/off switch for longer than 15 seconds. The power tool may become damaged if you do this.

Battery charge-control indicator

The battery charge indicator (5) displays the state of charge of the battery when the power tool is switched on.

LED	Capacity
Green continuous light	≥ 30%

LED	Capacity
Red continuous light	< 30%

Temperature-dependent overload protection

In normal conditions of use, the power tool cannot be overloaded. If the power tool is overloaded or the permitted battery temperature is exceeded, the electronics of the power tool will switch off until the temperature returns to within the optimum operating temperature range.

Practical advice

- ▶ **Only apply the power tool to the screw/nut when the tool is switched off.** Rotating tool inserts can slip off.

Maintenance and Service

Maintenance and Cleaning

- ▶ **Before any work on the power tool (e.g. maintenance, tool change, etc.) as well as during transport and storage, set the rotational direction switch to the middle position.** There is risk of injury from unintentionally pressing the on/off switch.
- ▶ **To ensure safe and efficient operation, always keep the power tool and the ventilation slots clean.**

If the battery is no longer working, please contact an authorised after-sales service agent for **Bosch** power tools.

In order to avoid safety hazards, if the power supply cord needs to be replaced, this must be done by **Bosch** or by an after-sales service centre that is authorised to repair **Bosch** power tools.

After-Sales Service and Application Service

Our after-sales service responds to your questions concerning maintenance and repair of your product as well as spare parts. You can find explosion drawings and information on spare parts at: **www.bosch-pt.com**

The Bosch product use advice team will be happy to help you with any questions about our products and their accessories.

In all correspondence and spare parts orders, please always include the 10-digit article number given on the nameplate of the product.

Great Britain

Robert Bosch Ltd. (B.S.C.)
P.O. Box 98
Broadwater Park
North Orbital Road
Denham Uxbridge
UB 9 5HJ

At www.bosch-pt.co.uk you can order spare parts or arrange the collection of a product in need of servicing or repair.

Tel. Service: (0344) 7360109

E-Mail: boschservicecentre@bosch.com

You can find further service addresses at:

www.bosch-pt.com/serviceaddresses

Transport

The contained lithium-ion batteries are subject to the Dangerous Goods Legislation requirements. The batteries are suitable for road-transport by the user without further restrictions.

When shipping by third parties (e.g.: by air transport or forwarding agency), special requirements on packaging and labelling must be observed. For preparation of the item being shipped, consulting an expert for hazardous material is required.

Disposal



Power tools, rechargeable batteries, accessories and packaging should be sorted for environmental-friendly recycling.



Do not dispose of power tools and batteries/rechargeable batteries into household waste!

Only for EU countries:

According to the Directive 2012/19/EU on waste electrical and electronic equipment and its transposition into national law, power tools that are no longer usable, and, according to the Directive 2006/66/EC, defective or drained batteries must be collected separately and disposed of in an environmentally correct manner.

If disposed incorrectly, waste electrical and electronic equipment may have harmful effects on the environment and human health, due to the potential presence of hazardous substances.

Only for United Kingdom:

According to The Waste Electrical and Electronic Equipment Regulations 2013 (SI 2013/3113) (as amended) and the Waste Batteries and Accumulators Regulations 2009 (SI 2009/890) (as amended), products that are no longer usable must be collected separately and disposed of in an environmentally friendly manner.

Battery packs/batteries:

Li-ion:

Please observe the notes in the section on transport (see "Transport", page 34).

► **Integrated batteries may only be removed for disposal by qualified personnel.** Opening the housing shell can destroy the power tool.

Before you can remove the battery from the power tool, you will need to use the power tool until the battery is completely discharged. Unscrew the screws on the housing and remove the housing shell in order to remove the battery. To prevent a short circuit, disconnect the connectors on the battery one at a time and then isolate the poles. Even when fully discharged, the battery still contains a residual capacity which can be released in case of a short circuit.

Français

Consignes de sécurité

Avertissements de sécurité généraux pour l'outil électrique

AVERTISSEMENT

Lire tous les avertissements de sécurité, les instructions, les illustrations et les spécifications fournis avec cet outil électrique. Ne pas suivre les instructions énumérées ci-dessous peut provoquer un choc électrique, un incendie et/ou une blessure sérieuse.



PSF

Robert Bosch Power Tools GmbH
70538 Stuttgart
GERMANY

www.bosch-pt.com

1 609 92A 84N (2022.07) AS / 212



1 609 92A 84N



de Origin
en Origin
fr Notice
es Manual
pt Manual
it Istruzioni
nl Oorspronkelijk gebruik
da Origin
sv Bruksanvisning
no Origin
fi Alkuperäinen ohje
el Προτεινόμενη χρήση
tr Origin
ar أصلي