

Milwaukee[®]

Nothing but **HEAVY DUTY**[®].



M12 FIWF12
M12 FIWP12
M12 FIW14
M12 FIW38

Original instructions

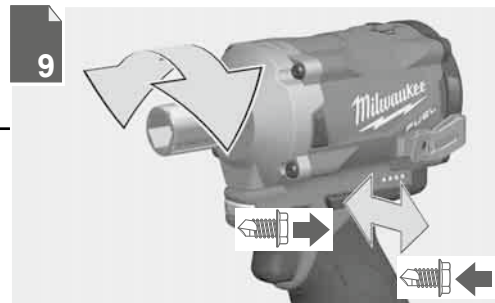
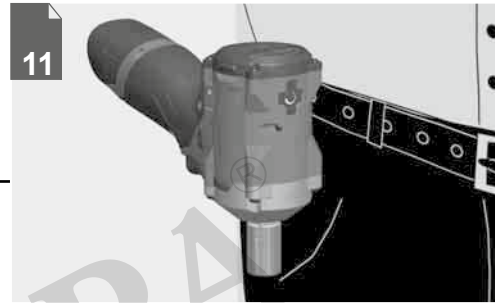
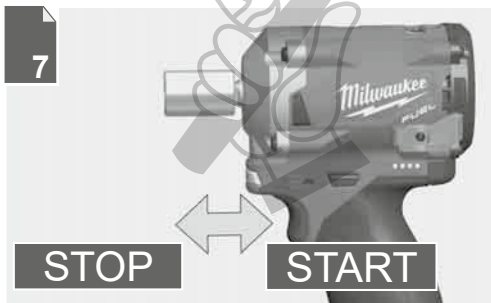
МАЙСТОРА[®]

ПРОФЕСИОНАЛНИ РЕШЕНИЯ




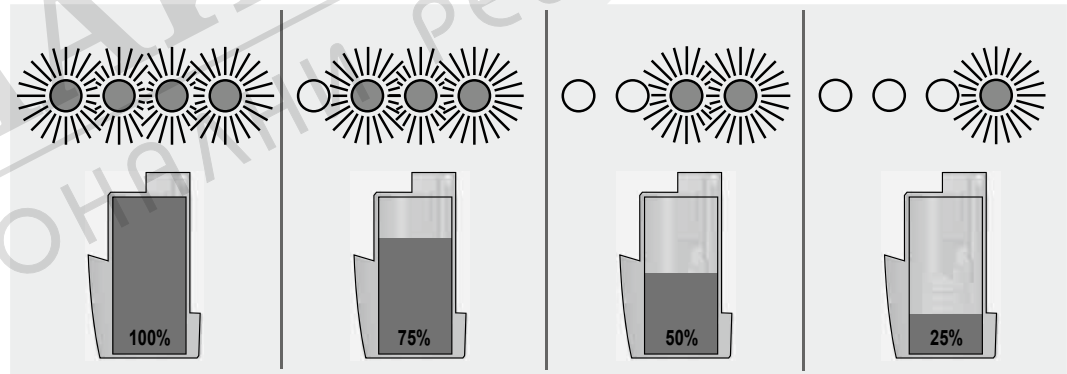
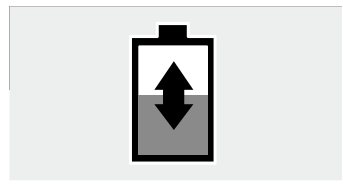
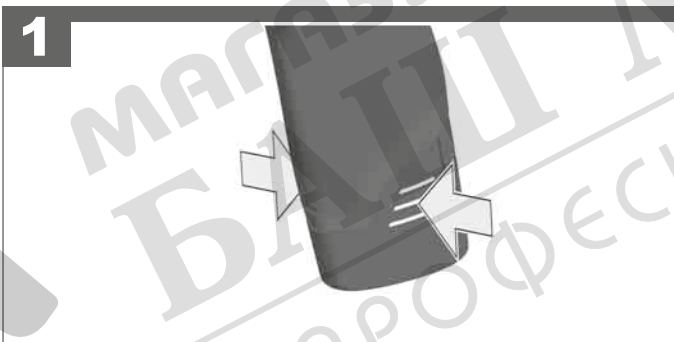
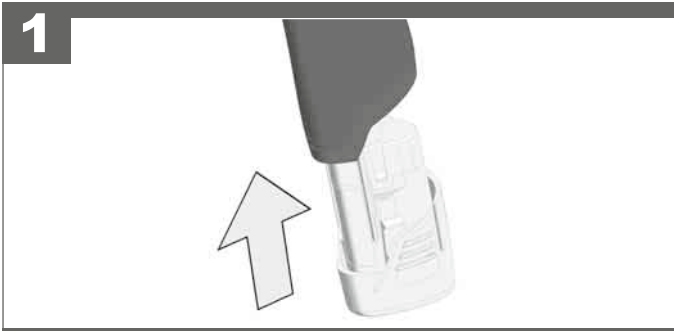
4 Picture section with operating description and functional description

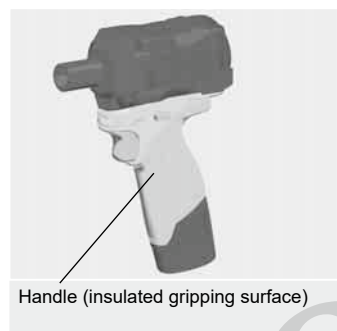
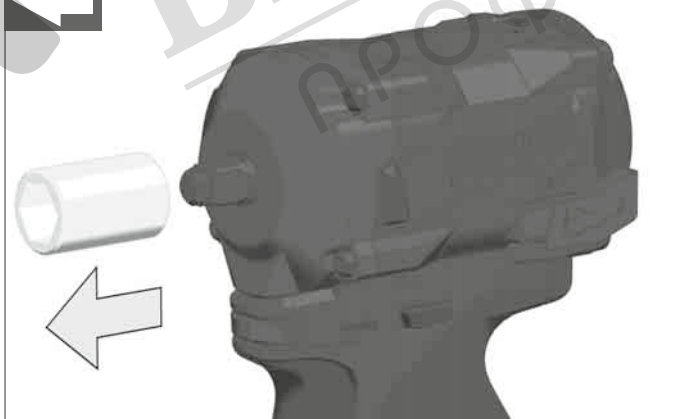
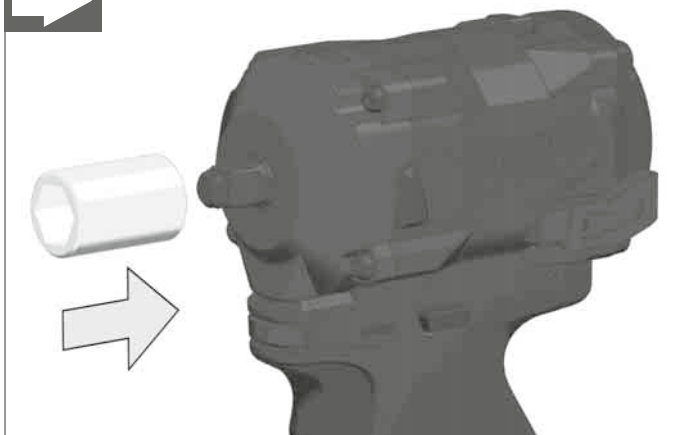
12 Text section with Technical Data, important Safety and Working Hints and description of Symbols



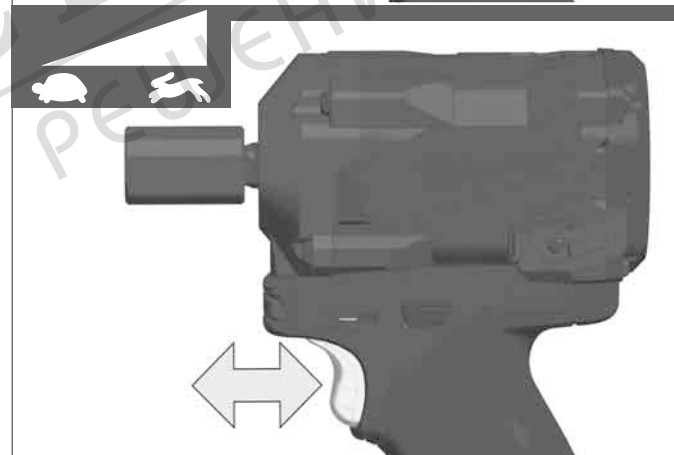


 Remove the battery pack before starting any work on the machine.



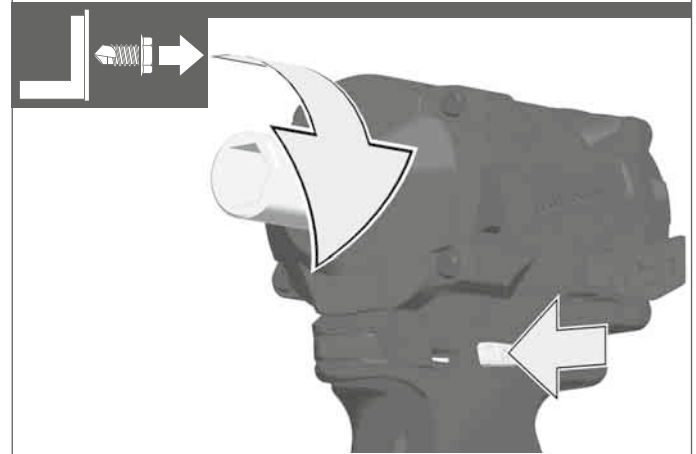
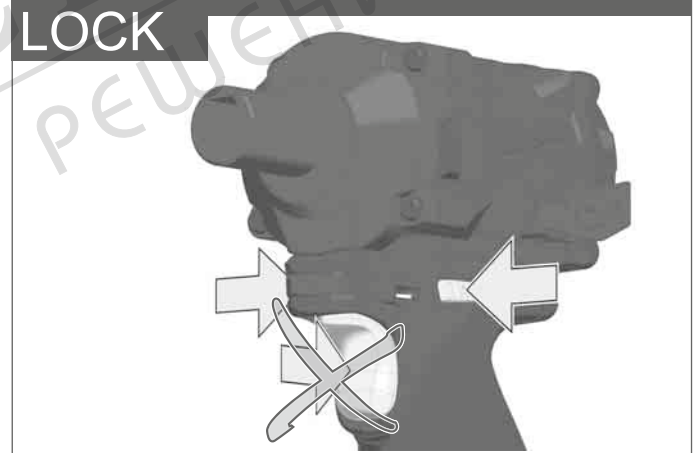
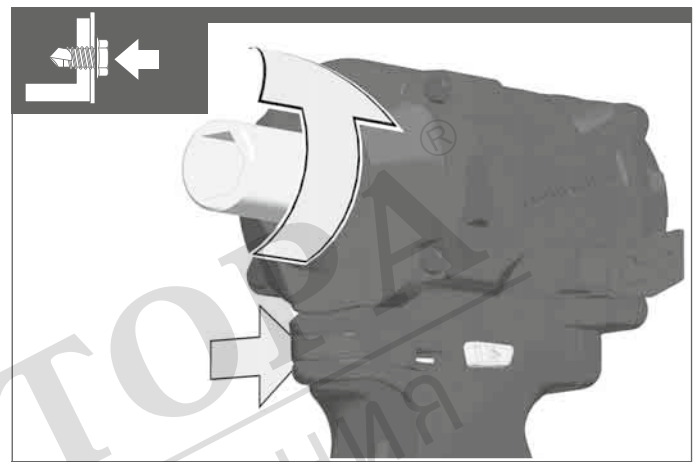
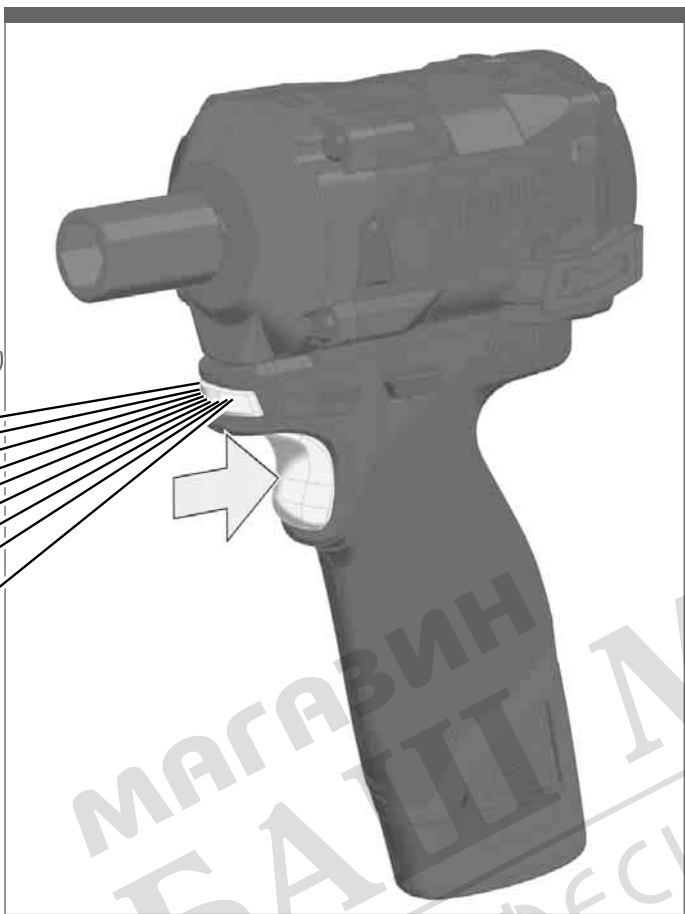


START

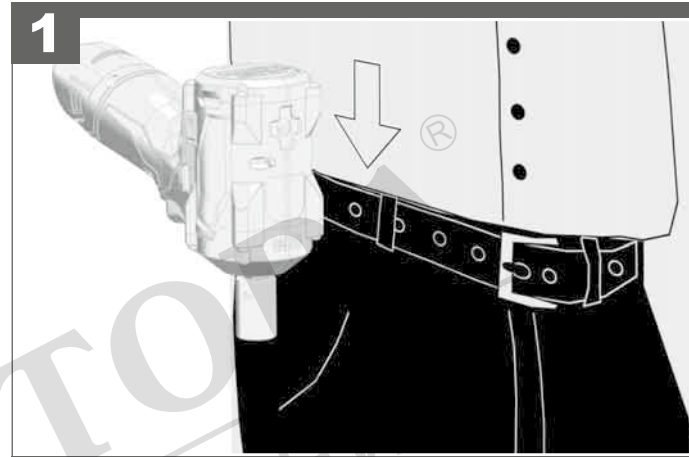
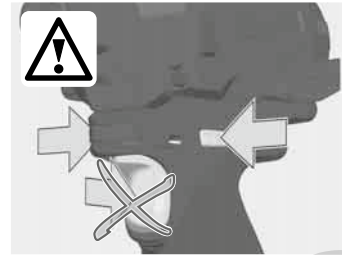
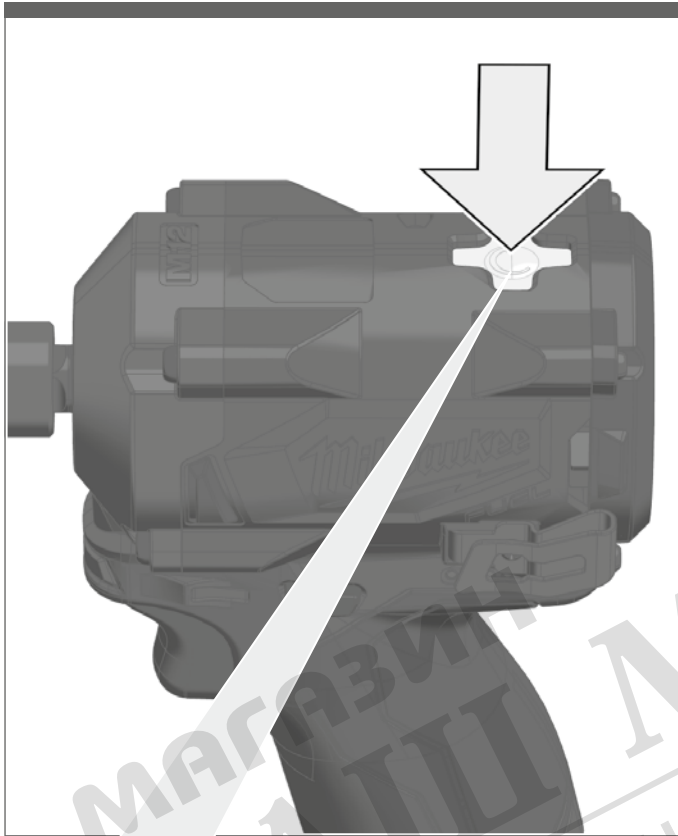


STOP





МАГАЗИН МАЙСТО
БАШ ПРОФЕСИОНАЛНИ РЕШЕНИЯ



	M12 FIWF12	M12FIWP12	M12FIW14	M12 FIW38
1	0-1200 min ⁻¹	0-1200 min ⁻¹	0-1300 min ⁻¹	0-1200 min ⁻¹
2	0-1800 min ⁻¹	0-1800 min ⁻¹	0-1900 min ⁻¹	0-1800 min ⁻¹
3	0-2700 min ⁻¹	0-2700 min ⁻¹	0-3200 min ⁻¹	0-2700 min ⁻¹
Q	0-2700 min ⁻¹	0-2700 min ⁻¹	0-3200 min ⁻¹	0-2700 min ⁻¹

TECHNICAL DATA CORDLESS IMPACT WRENCH M12 FIWF12 M12FIWP12 M12FIW14 M12 FIW38

Production code.....	4678 13 03.....	4690 05 03.....	4677 95 03.....	4678 02 03.....
	..000001-999999	..000001-999999	..000001-999999	..000001-999999
Tool reception.....	1/2" (12,7 mm)	1/2" (12,7 mm)	1/4" (6,35 mm)	3/8" (9,5 mm)
No-load speed mode 1.....	0-1200 min ⁻¹	0-1200 min ⁻¹	0-1300 min ⁻¹	0-1200 min ⁻¹
No-load speed mode 2.....	0-1800 min ⁻¹	0-1800 min ⁻¹	0-1900 min ⁻¹	0-1800 min ⁻¹
No-load speed mode 3.....	0-2700 min ⁻¹	0-2700 min ⁻¹	0-3200 min ⁻¹	0-2700 min ⁻¹
No-load speed mode 4.....	0-2700 min ⁻¹	0-2700 min ⁻¹	0-3200 min ⁻¹	0-2700 min ⁻¹
Impact range mode 1.....	0-1100 min ⁻¹	0-1100 min ⁻¹	0-1300 min ⁻¹	0-1100 min ⁻¹
Impact range mode 2.....	0-2100 min ⁻¹	0-2100 min ⁻¹	0-2000 min ⁻¹	0-2100 min ⁻¹
Impact range mode 3.....	0-3200 min ⁻¹	0-3200 min ⁻¹	0-4300 min ⁻¹	0-3200 min ⁻¹
Max. Torque.....	339 Nm	339 Nm	115 Nm	339 Nm
Max. diameter bolt / nut.....	M16	M16	M12	M16
Battery voltage.....	12 V	12 V	12 V	12 V
Weight according EPTA-Procedure 01/2014 (2.0 Ah).....	1,1 kg	1,1 kg	0,92 kg	1,1 kg
Weight according EPTA-Procedure 01/2014 (4.0 Ah / 6.0 Ah).....	1,37 kg	1,37 kg	1,15 kg	1,37 kg
Recommended ambient operating temperature.....	-18°C ... +50 °C			
Recommended battery types.....	M12B...			
Recommended charger.....	M12-18 C; M12-18 FC; M12-18 AC; M12 C4; C12 C			

Noise/vibration information

Measured values determined according to EN 62841.

Typically, the A-weighted noise levels of the tool are:

Sound pressure level (Uncertainty K=3dB(A)).....	96,69 dB (A)	96,69 dB (A)	91,86 dB (A)	96,69 dB (A)
Sound power level (Uncertainty K=3dB(A)).....	107,82 dB (A)	107,82 dB (A)	102,86 dB (A)	107,82 dB (A)

Wear ear protectors!

Total vibration values (vector sum in the three axes) determined according to EN 62841.

Vibration emission value a_w

Impact tightening of fasteners of the maximum capacity of the tool.....	10,26 m/s ²	10,26 m/s ²	15,77 m/s ²	10,26 m/s ²
Uncertainty K=.....	1,5 m/s ²	1,5 m/s ²	1,5 m/s ²	1,5 m/s ²

WARNING

The vibration and noise emission level given in this information sheet has been measured in accordance with a standardized test given in EN 62841 and may be used to compare one tool with another. It may be used for a preliminary assessment of exposure.

The declared vibration and noise emission level represents the main applications of the tool. However if the tool is used for different applications, with different accessories or poorly maintained, the vibration and noise emission may differ. This may significantly increase the exposure level over the total working period.

An estimation of the level of exposure to vibration and noise should also take into account the times when the tool is switched off or when it is running but not actually doing the job. This may significantly reduce the exposure level over the total working period.

Identify additional safety measures to protect the operator from the effects of vibration and/or noise such as: maintain the tool and the accessories, keep the hands warm, organization of work patterns.

⚠ WARNING Read all safety warnings, instructions, illustrations and specifications provided with this power tool. Failure to follow all instructions listed below may result in electric shock, fire and/or serious injury.
Save all warnings and instructions for future reference.

⚠ IMPACT DRIVER SAFETY WARNINGS

Hold the power tool by insulated gripping surfaces, when performing an operation where the fastener may contact hidden wiring. Fasteners contacting a „live“ wire may make exposed metal parts of the power tool „live“ and could give the operator an electric shock.

Wear ear protectors. Exposure to noise can cause hearing loss.

ADDITIONAL SAFETY AND WORKING INSTRUCTIONS

Use personal protective equipment. Always wear eye protection. Protective equipment such as a dust mask, non-skid safety shoes, hard hat or hearing protection used for appropriate conditions will reduce personal injuries.

The dust produced when using this tool may be harmful to health. Do not inhale the dust. Wear a suitable dust protection mask.

Do not machine any materials that present a danger to health (e.g. asbestos).

Switch the device off immediately if the insertion tool stalls! Do not switch the device on again while the insertion tool is stalled, as doing so could trigger a sudden recoil with a high reactive force. Determine why the insertion tool stalled and rectify this, paying heed to the safety instructions.

The possible causes may be:

- it is tilted in the workpiece to be machined
- it has pierced through the material to be machined
- the power tool is overloaded

Do not reach into the machine while it is running.

The insertion tool is sharp-edged and can become hot during use.

WARNING! Danger of cuts and burns

- when handling the insertion tools
- when setting the device down.

Wear protective gloves when handling insertion tools.

Sawdust and splinters must not be removed while the machine is running.

When working in walls ceiling, or floor, take care to avoid electric cables and gas or waterpipes.

Clamp your workpiece with a clamping device. Unclamped workpieces can cause severe injury and damage.

Remove the battery pack before starting any work on the machine.

Do not dispose of used battery packs in the household refuse or by burning them. Milwaukee Distributors offer to retrieve old batteries to protect our environment.

Do not store the battery pack together with metal objects (short circuit risk).

Use only System M12 chargers for charging System M12 battery packs. Do not use battery packs from other systems.

Never break open battery packs and chargers and store only in dry rooms. Keep dry at all times.

Battery acid may leak from damaged batteries under extreme load or extreme temperatures. In case of contact with battery acid wash it off immediately with soap and water. In case of eye contact rinse thoroughly for at least 10 minutes and immediately seek medical attention.

Warning! To reduce the risk of fire, personal injury, and product damage due to a short circuit, never immerse your tool, battery pack or charger in fluid or allow a fluid to flow inside them. Corrosive or conductive fluids, such as seawater, certain industrial chemicals, and bleach or bleach containing products, etc., can cause a short circuit.

SPECIFIED CONDITIONS OF USE

The cordless impact wrench can be used to tighten and loosen nuts and bolts wherever no mains connection is available.

Do not use this product in any other way as stated for normal use.

EC-DECLARATION OF CONFORMITY

We declare as the manufacturer under our sole responsibility that the product described under "Technical Data" fulfills all the relevant regulations and the directives 2011/65/EU (RoHS), 2014/30/EU, 2006/42/EC, and the following harmonized standards have been used:

- EN 62841-1:2015
 - EN 62841-2-2:2014
 - EN IEC 55014-1:2021
 - EN IEC 55014-2:2021
 - EN IEC 63000:2018
- Winnenden, 2022-11-01

Alexander Krug
Managing Director



Authorized to compile the technical file.

Techtronic Industries GmbH
Max-Eyth-Straße 10
71364 Winnenden
Germany

GB-DECLARATION OF CONFORMITY

We declare as the manufacturer under our sole responsibility that the product described under "Technical Data" fulfills all the relevant provisions of the following Regulations S.I. 2008/1597 (as amended), S.I. 2016/1091 (as amended), S.I. 2012/3032 (as amended) and that the following designated standards have been used:

- BS EN 62841-1:2015
- BS EN 62841-2-2:2014
- BS EN IEC 55014-1:2021
- BS EN IEC 55014-2:2021
- BS EN IEC 63000:2018

Winnenden, 2022-11-01

Alexander Krug
Managing Director

Authorized to compile the technical file.

Techtronic Industries GmbH
Max-Eyth-Straße 10
71364 Winnenden
Germany

DRIVE CONTROL



The drive control button is used to adjust the rotation speed (RPM) for the application.

In Auto Shut Off Mode, the tool will drive forward at a reduced RPM until the torque is achieved.

In reverse the tool will operate at full RPM to remove fasteners at full torque.

OPERATION

Note: It is recommended after fastening to always check the torque with a torque wrench.

The fastening torque is affected by a wide variety of factors including the following.

- State of battery charge – When the battery is discharged voltage will drop and the fastening torque will be reduced.
- Operation at speeds – Operating the tool at low speeds will cause a reduction in fastening torques.
- Fastening position – Holding the tool or the driving fastener in various angles will affect the torque.
- Drive accessory/socket – Failure to use the correct size accessory or socket, or a non-impact rated accessory may cause a reduction in the fastening torque.
- Use of accessories and extensions – Depending on the accessory or extension fitment can reduce the fastening force of the impact wrench.
- Bolt/Nut – Fastening torques may differ according to the diameter of the nut or bolt, the class of nut/bolt and the length of nut/bolt.
- Condition of the fastener – Contaminated, corroded, dry or lubricated fasteners may vary the fastening torques.
- Condition and base material – The base material of the fastener and any component in between the surfaces may effect the fastening torque (Dry or lubricated base, soft or hard base, disc, seal or washer between fastener and base material).

IMPACTING TECHNIQUES

The longer a bolt, screw, or nut is impacted, the tighter it will become.

To help prevent damaging the fasteners or workpieces, avoid excessive impacting.

Be particularly careful when impacting smaller fasteners because they require less impacting to reach optimum torque.

Practice with various fasteners, noting the length of time required to reach the desired torque.

Check the tightness with a hand-torque wrench.

If the fasteners are too tight, reduce the impacting time.

If they are not tight enough, increase the impacting time.

Oil, dirt, rust or other matter on the threads or under the head of the fastener affects the degree of tightness.

The torque required to loosen a fastener averages 75% to 80% of the tightening torque, depending on the condition of the contacting surfaces.

On light gasket jobs, run each fastener down to a relatively light torque and use a hand torque wrench for final tightening.

BATTERIES

Battery packs which have not been used for some time should be recharged before use.

Temperatures in excess of 50°C (122°F) reduce the performance of the battery pack. Avoid extended exposure to heat or sunshine (risk of overheating).

The contacts of chargers and battery packs must be kept clean.

For an optimum life-time, after use, the battery packs have to be fully charged.

To obtain the longest possible battery life remove the battery pack from the charger once it is fully charged.

For battery pack storage longer than 30 days:

Store the battery pack where the temperature is below 27°C and away from moisture

Store the battery packs in a 30% - 50% charged condition
Every six months of storage, charge the pack as normal.

BATTERY PACK PROTECTION

In extremely high torque, binding, stalling and short circuit situations that cause high current draw, the tool will vibrate for about 2 seconds and then the tool will turn OFF.

To reset, release the trigger.

Under extreme circumstances, the internal temperature of the battery could become too high. If this happens, the battery will shut down.

Place the battery on the charger to charge and reset it.

TRANSPORTING LITHIUM BATTERIES

Lithium-ion batteries are subject to the Dangerous Goods Legislation requirements.

Transportation of those batteries has to be done in accordance with local, national and international provisions and regulations.

- The user can transport the batteries by road without further requirements.
- Commercial transport of Lithium-Ion batteries by third parties is subject to Dangerous Goods regulations. Transport preparation and transport are exclusively to be carried out by appropriately trained persons and the process has to be accompanied by corresponding experts.

When transporting batteries:

- Ensure that battery contact terminals are protected and insulated to prevent short circuit.
- Ensure that battery pack is secured against movement within packaging.
- Do not transport batteries that are cracked or leak.

Check with forwarding company for further advice

MAINTENANCE

Use only Milwaukee accessories and spare parts. Should components need to be replaced which have not been described, please contact one of our Milwaukee service agents (see our list of guarantee/service addresses).

If needed, an exploded view of the tool can be ordered. Please state the machine type printed as well as the six-digit No. on the label and order the drawing at your local service agents or directly at: Techtronic Industries GmbH, Max-Eyth-Straße 10, 71364 Winnenden, Germany.

SYMBOLS



CAUTION! WARNING! DANGER!



Remove the battery pack before starting any work on the machine.



Please read the instructions carefully before starting the machine.



Wear gloves!



Do not dispose of waste batteries, waste electrical and electronic equipment as unsorted municipal waste. Waste batteries and waste electrical and electronic equipment must be collected separately.
Waste batteries, waste accumulators and light sources have to be removed from equipment. Check with your local authority or retailer for recycling advice and collection point. According to local regulations retailers may have an obligation to take back waste batteries and Waste electrical and electronic equipment free of charge.
Your contribution to re-use and recycling of waste batteries and waste electrical and electronic equipment helps to reduce the demand of raw materials.
Waste batteries, in particular containing lithium and waste Electrical and electronic equipment contain valuable, recyclable materials, which can adversely impact the environment and the human health, if not disposed of in an environmentally compatible manner.
Delete personal data from waste equipment, if any.

n_0

No-load speed

n

Impact range

V

Volts

≡

Direct current

CE

European Conformity Mark

UK CA

British Conformity Mark

001

Ukraine Conformity Mark

EAC

EurAsian Conformity Mark



МАГАЗИН
БАШ МАЙСТОРА[®]
ПРОФЕСИОНАЛНИ РЕШЕНИЯ

Copyright 2022

Techtronic Industries GmbH
Max-Eyth-Str. 10
71364 Winnenden
Germany

+49 (0) 7195-12-0

www.milwaukeetool.eu

Techtronic Industries (UK) Ltd
Parkway
Marlow SL7 1YL
UK



(11.22)

4100 4149 82