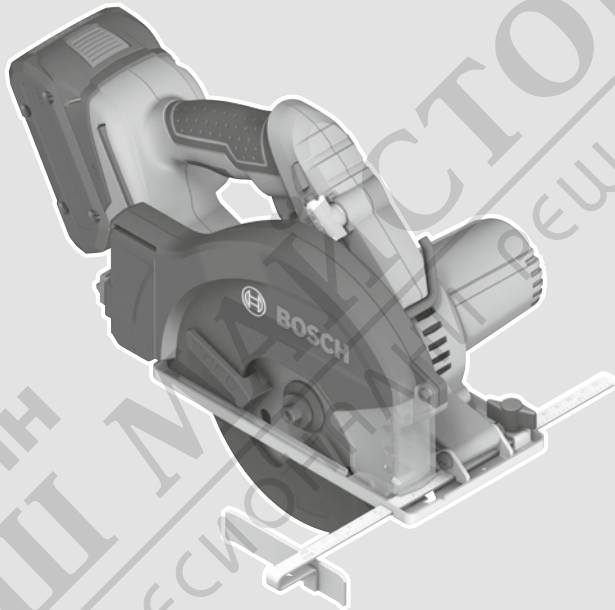




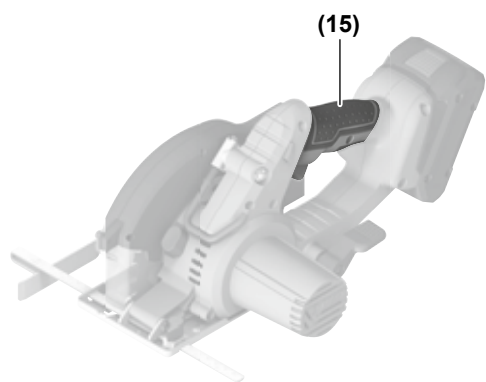
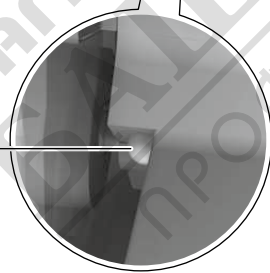
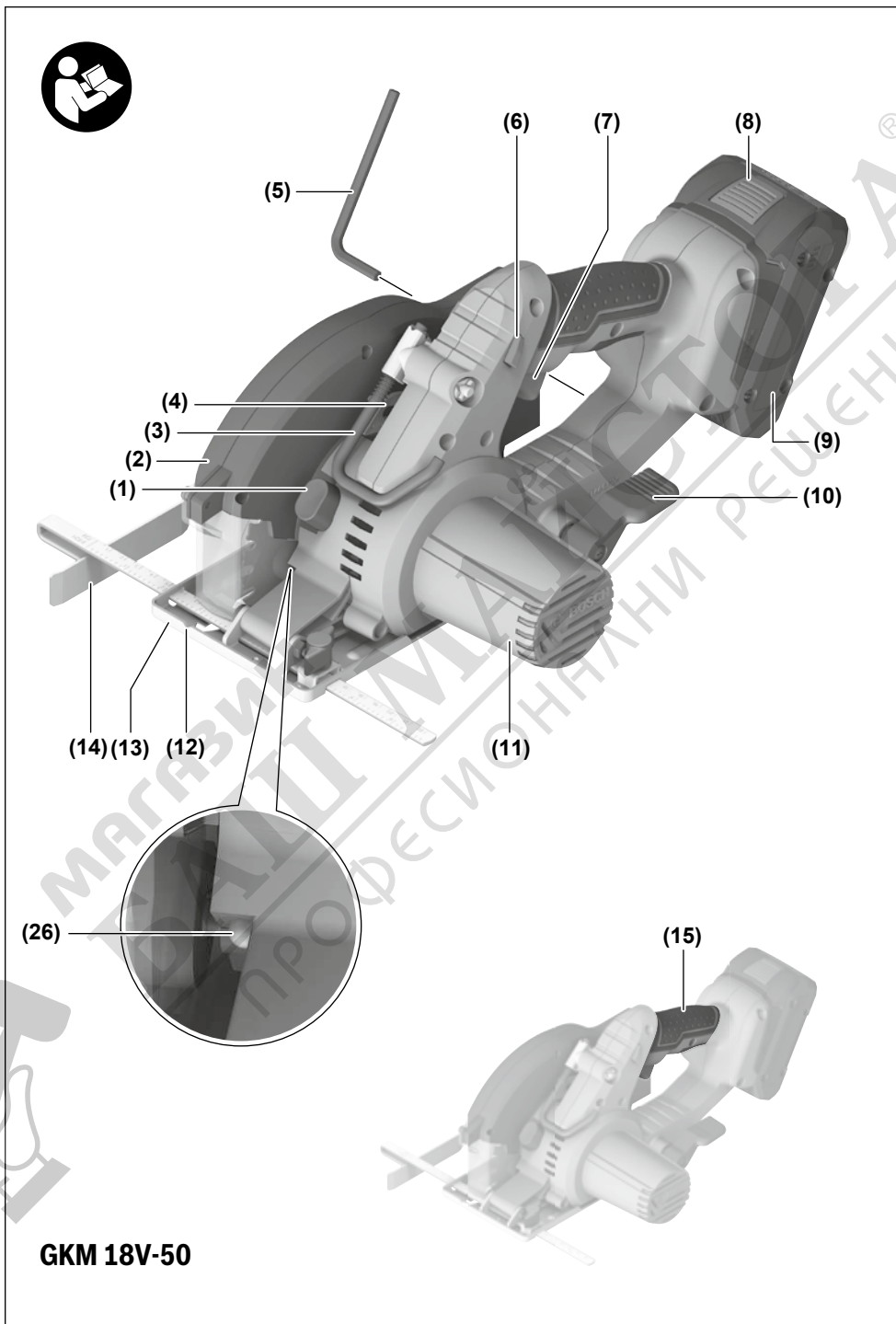
GKM 18V-50 Professional

HEAVY
DUTY

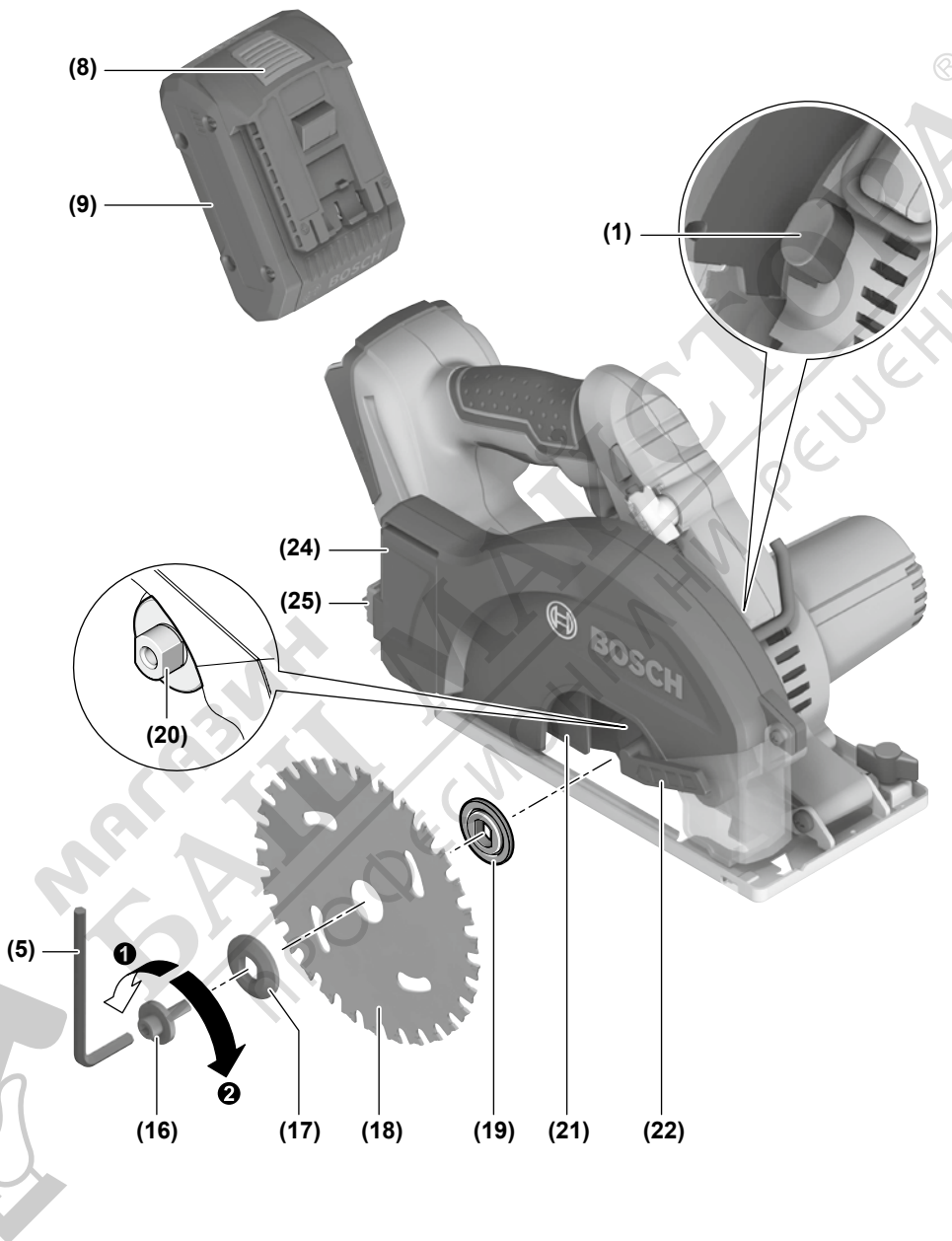


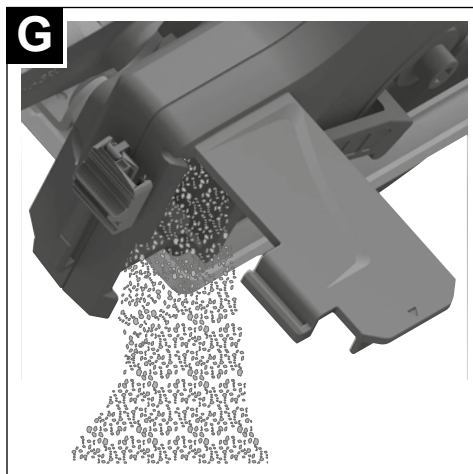
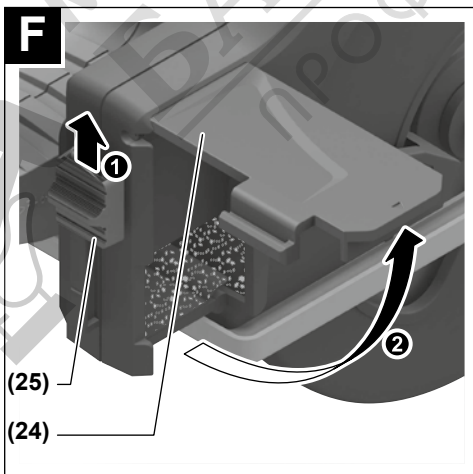
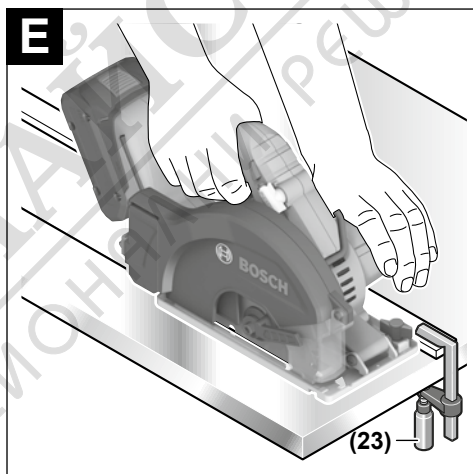
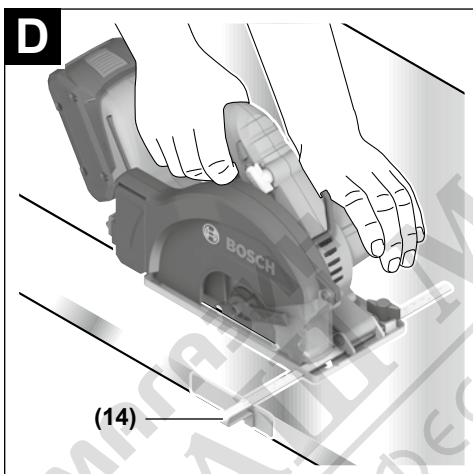
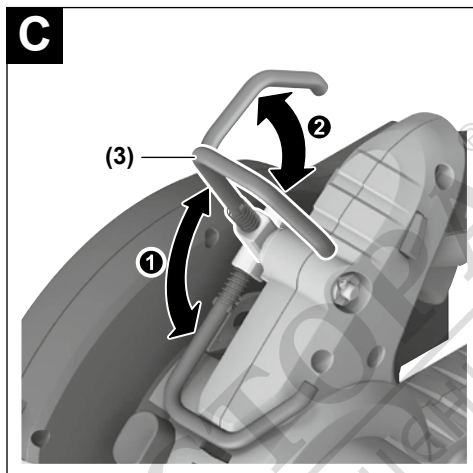
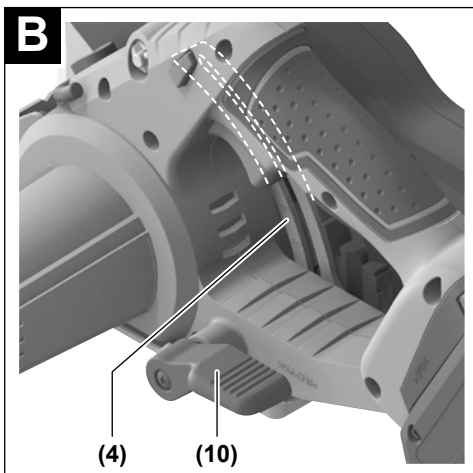
- en Original instructions
- fr Notice originale
- pt Manual original
- zh 正本使用说明书
- zh 原始使用說明書
- th หนังสือคู่มือการใช้งานฉบับ
ต้นแบบ
- id Petunjuk-Petunjuk untuk
Penggunaan Orisinal
- vi Bản gốc hướng dẫn sử dụng
- ar دليل التشغيل الأصلي
- fa دفترچه راهنمای اصلی





GKM 18V-50

A**GKM 18V-50**



English

Safety Instructions

General Power Tool Safety Warnings

⚠ WARNING Read all safety warnings, instructions, illustrations and specifications provided with this power tool. Failure to follow all instructions listed below may result in electric shock, fire and/or serious injury.

Save all warnings and instructions for future reference.

The term "power tool" in the warnings refers to your mains-operated (corded) power tool or battery-operated (cordless) power tool.

Work area safety

- ▶ **Keep work area clean and well lit.** Cluttered or dark areas invite accidents.
- ▶ **Do not operate power tools in explosive atmospheres, such as in the presence of flammable liquids, gases or dust.** Power tools create sparks which may ignite the dust or fumes.
- ▶ **Keep children and bystanders away while operating a power tool.** Distractions can cause you to lose control.

Electrical safety

- ▶ **Power tool plugs must match the outlet. Never modify the plug in any way. Do not use any adapter plugs with earthed (grounded) power tools.** Unmodified plugs and matching outlets will reduce risk of electric shock.
- ▶ **Avoid body contact with earthed or grounded surfaces, such as pipes, radiators, ranges and refrigerators.** There is an increased risk of electric shock if your body is earthed or grounded.
- ▶ **Do not expose power tools to rain or wet conditions.** Water entering a power tool will increase the risk of electric shock.
- ▶ **Do not abuse the cord. Never use the cord for carrying, pulling or unplugging the power tool. Keep cord away from heat, oil, sharp edges or moving parts.** Damaged or entangled cords increase the risk of electric shock.
- ▶ **When operating a power tool outdoors, use an extension cord suitable for outdoor use.** Use of a cord suitable for outdoor use reduces the risk of electric shock.
- ▶ **If operating a power tool in a damp location is unavoidable, use a residual current device (RCD) protected supply.** Use of an RCD reduces the risk of electric shock.

Personal safety

- ▶ **Stay alert, watch what you are doing and use common sense when operating a power tool. Do not use a power tool while you are tired or under the influence of drugs, alcohol or medication.** A moment of inatten-

tion while operating power tools may result in serious personal injury.

- ▶ **Use personal protective equipment. Always wear eye protection.** Protective equipment such as a dust mask, non-skid safety shoes, hard hat or hearing protection used for appropriate conditions will reduce personal injuries.
- ▶ **Prevent unintentional starting. Ensure the switch is in the off-position before connecting to power source and/or battery pack, picking up or carrying the tool.** Carrying power tools with your finger on the switch or energising power tools that have the switch on invites accidents.
- ▶ **Remove any adjusting key or wrench before turning the power tool on.** A wrench or a key left attached to a rotating part of the power tool may result in personal injury.
- ▶ **Do not overreach. Keep proper footing and balance at all times.** This enables better control of the power tool in unexpected situations.
- ▶ **Dress properly. Do not wear loose clothing or jewellery. Keep your hair and clothing away from moving parts.** Loose clothes, jewellery or long hair can be caught in moving parts.
- ▶ **If devices are provided for the connection of dust extraction and collection facilities, ensure these are connected and properly used.** Use of dust collection can reduce dust-related hazards.
- ▶ **Do not let familiarity gained from frequent use of tools allow you to become complacent and ignore tool safety principles.** A careless action can cause severe injury within a fraction of a second.

Power tool use and care

- ▶ **Do not force the power tool. Use the correct power tool for your application.** The correct power tool will do the job better and safer at the rate for which it was designed.
- ▶ **Do not use the power tool if the switch does not turn it on and off.** Any power tool that cannot be controlled with the switch is dangerous and must be repaired.
- ▶ **Disconnect the plug from the power source and/or remove the battery pack, if detachable, from the power tool before making any adjustments, changing accessories, or storing power tools.** Such preventive safety measures reduce the risk of starting the power tool accidentally.
- ▶ **Store idle power tools out of the reach of children and do not allow persons unfamiliar with the power tool or these instructions to operate the power tool.** Power tools are dangerous in the hands of untrained users.
- ▶ **Maintain power tools and accessories. Check for misalignment or binding of moving parts, breakage of parts and any other condition that may affect the power tool's operation. If damaged, have the power tool repaired before use.** Many accidents are caused by poorly maintained power tools.

- ▶ **Keep cutting tools sharp and clean.** Properly maintained cutting tools with sharp cutting edges are less likely to bind and are easier to control.
- ▶ **Use the power tool, accessories and tool bits etc. in accordance with these instructions, taking into account the working conditions and the work to be performed.** Use of the power tool for operations different from those intended could result in a hazardous situation.
- ▶ **Keep handles and grasping surfaces dry, clean and free from oil and grease.** Slippery handles and grasping surfaces do not allow for safe handling and control of the tool in unexpected situations.

Battery tool use and care

- ▶ **Recharge only with the charger specified by the manufacturer.** A charger that is suitable for one type of battery pack may create a risk of fire when used with another battery pack.
- ▶ **Use power tools only with specifically designated battery packs.** Use of any other battery packs may create a risk of injury and fire.
- ▶ **When battery pack is not in use, keep it away from other metal objects, like paper clips, coins, keys, nails, screws or other small metal objects, that can make a connection from one terminal to another.** Shorting the battery terminals together may cause burns or a fire.
- ▶ **Under abusive conditions, liquid may be ejected from the battery; avoid contact. If contact accidentally occurs, flush with water. If liquid contacts eyes, additionally seek medical help.** Liquid ejected from the battery may cause irritation or burns.
- ▶ **Do not use a battery pack or tool that is damaged or modified.** Damaged or modified batteries may exhibit unpredictable behaviour resulting in fire, explosion or risk of injury.
- ▶ **Do not expose a battery pack or tool to fire or excessive temperature.** Exposure to fire or temperature above 130°C may cause explosion.
- ▶ **Follow all charging instructions and do not charge the battery pack or tool outside the temperature range specified in the instructions.** Charging improperly or at temperatures outside the specified range may damage the battery and increase the risk of fire.

Service

- ▶ **Have your power tool serviced by a qualified repair person using only identical replacement parts.** This will ensure that the safety of the power tool is maintained.
- ▶ **Never service damaged battery packs.** Service of battery packs should only be performed by the manufacturer or authorized service providers.

Safety instructions for circular saws

Cutting procedures

- ▶ **⚠ DANGER: Keep hands away from cutting area and the blade.** If both hands are holding the saw, they cannot be cut by the blade.
- ▶ **Do not reach underneath the workpiece.** The guard cannot protect you from the blade below the workpiece.
- ▶ **Adjust the cutting depth to the thickness of the workpiece.** Less than a full tooth of the blade teeth should be visible below the workpiece.
- ▶ **Never hold the workpiece in your hands or across your leg while cutting. Secure the workpiece to a stable platform.** It is important to support the work properly to minimise body exposure, blade binding, or loss of control.
- ▶ **Hold the power tool by insulated gripping surfaces, when performing an operation where the cutting tool may contact hidden wiring.** Contact with a "live" wire will also make exposed metal parts of the power tool "live" and could give the operator an electric shock.
- ▶ **When ripping always use a rip fence or straight edge guide.** This improves the accuracy of cut and reduces the chance of blade binding.
- ▶ **Always use blades with correct size and shape (diamond versus round) of arbour holes.** Blades that do not match the mounting hardware of the saw will run off-centre, causing loss of control.
- ▶ **Never use damaged or incorrect blade washers or bolt.** The blade washers and bolt were specially designed for your saw, for optimum performance and safety of operation.

Kickback causes and related warnings

- kickback is a sudden reaction to a pinched, jammed or misaligned saw blade, causing an uncontrolled saw to lift up and out of the workpiece toward the operator;
- when the blade is pinched or jammed tightly by the kerf closing down, the blade stalls and the motor reaction drives the unit rapidly back toward the operator;
- if the blade becomes twisted or misaligned in the cut, the teeth at the back edge of the blade can dig into the top surface of the wood causing the blade to climb out of the kerf and jump back toward the operator.

Kickback is the result of saw misuse and/or incorrect operating procedures or conditions and can be avoided by taking proper precautions as given below.

- ▶ **Maintain a firm grip on the saw and position your arms to resist kickback forces. Position your body to either side of the blade, but not in line with the blade.** Kickback could cause the saw to jump backwards, but kickback forces can be controlled by the operator, if proper precautions are taken.
- ▶ **When blade is binding, or when interrupting a cut for any reason, release the trigger and hold the saw motionless in the material until the blade comes to a complete stop. Never attempt to remove the saw from the**

work or pull the saw backward while the blade is in motion or kickback may occur. Investigate and take corrective actions to eliminate the cause of blade binding.



- ▶ **When restarting a saw in the workpiece, centre the saw blade in the kerf so that the saw teeth are not engaged into the material.** If a saw blade binds, it may walk up or kickback from the workpiece as the saw is restarted.
- ▶ **Support large panels to minimise the risk of blade pinching and kickback.** Large panels tend to sag under their own weight. Supports must be placed under the panel on both sides, near the line of cut and near the edge of the panel.
- ▶ **Do not use dull or damaged blades.** Unsharpened or improperly set blades produce narrow kerf causing excessive friction, blade binding and kickback.
- ▶ **Blade depth and bevel adjusting locking levers must be tight and secure before making the cut.** If blade adjustment shifts while cutting, it may cause binding and kickback.
- ▶ **Use extra caution when sawing into existing walls or other blind areas.** The protruding blade may cut objects that can cause kickback.

Lower guard function

- ▶ **Check the lower guard for proper closing before each use. Do not operate the saw if the lower guard does not move freely and close instantly. Never clamp or tie the lower guard into the open position.** If the saw is accidentally dropped, the lower guard may be bent. Raise the lower guard with the retracting handle and make sure it moves freely and does not touch the blade or any other part, in all angles and depths of cut.
- ▶ **Check the operation of the lower guard spring. If the guard and the spring are not operating properly, they must be serviced before use.** Lower guard may operate sluggishly due to damaged parts, gummy deposits, or a build-up of debris.
- ▶ **The lower guard may be retracted manually only for special cuts such as "plunge cuts" and "compound cuts". Raise the lower guard by the retracting handle and as soon as the blade enters the material, the lower guard must be released.** For all other sawing, the lower guard should operate automatically.
- ▶ **Always observe that the lower guard is covering the blade before placing the saw down on bench or floor.** An unprotected, coasting blade will cause the saw to walk backwards, cutting whatever is in its path. Be aware of the time it takes for the blade to stop after switch is released.

Additional safety warnings

- ▶ **Do not allow the chip ejector to come into contact with your hands.** You may be injured by rotating parts.
- ▶ **Do not use the saw above the level of your head.** Doing so will mean you have inadequate control of the power tool.

- ▶ **Use suitable detectors to determine if there are hidden supply lines or contact the local utility company for assistance.** Contact with electric cables can cause fire and electric shock. Damaging gas lines can lead to explosion. Breaking water pipes causes property damage.
 - ▶ **Do not operate the power tool when stationary.** It is not suitable for operation with a saw table.
 - ▶ **Secure the workpiece.** A workpiece clamped with clamping devices or in a vice is held more secure than by hand.
 - ▶ **Do not use HSS saw blades.** Such saw blades can easily break.
 - ▶ **Wear a dust mask.**
 - ▶ **In case of damage and improper use of the battery, vapours may be emitted. The battery can set alight or explode.** Ensure the area is well ventilated and seek medical attention should you experience any adverse effects. The vapours may irritate the respiratory system.
 - ▶ **Do not open the battery.** There is a risk of short-circuiting.
 - ▶ **The battery can be damaged by pointed objects such as nails or screwdrivers or by force applied externally.** An internal short circuit may occur, causing the battery to burn, smoke, explode or overheat.
 - ▶ **Only use the battery with products from the manufacturer.** This is the only way in which you can protect the battery against dangerous overload.
-  **Protect the battery against heat, e.g. against continuous intense sunlight, fire, dirt, water and moisture.** There is a risk of explosion and short-circuiting.
-  **Always wait until the power tool has come to a complete stop before placing it down.** The application tool can jam and cause you to lose control of the power tool.

Product Description and Specifications



Read all the safety and general instructions.

Failure to observe the safety and general instructions may result in electric shock, fire and/or serious injury.

Please observe the illustrations at the beginning of this operating manual.

Intended use

The power tool is intended for sawing ferrous metals up to a cutting depth of 50 mm.

The power tool is not intended for working on wood materials.

There is a risk of fire when metal and wood chips mix.

Product features

The numbering of the product features refers to the diagram of the power tool on the graphics page.

- (1) Spindle lock button
- (2) Protective guard with chip container
- (3) Utility hook
- (4) Cutting depth scale
- (5) Hex key
- (6) Lock-off function for on/off switch
- (7) On/off switch
- (8) Battery release button^{a)}
- (9) Battery^{a)}
- (10) Clamping lever for cutting depth preselection
- (11) Motor housing
- (12) 0° cut mark
- (13) Base plate
- (14) Parallel guide^{a)}
- (15) Handle (insulated gripping surface)
- (16) Clamping bolt with washer
- (17) Clamping flange
- (18) Circular saw blade^{a)}
- (19) Mounting flange
- (20) Saw spindle
- (21) Retracting blade guard
- (22) Adjusting lever for retracting blade guard
- (23) Pair of screw clamps^{a)}
- (24) Lid of the chip container
- (25) Chip container locking mechanism
- (26) "PowerLight" lamp

a) **Accessories shown or described are not included with the product as standard. You can find the complete selection of accessories in our accessories range.**

Technical data

Hand-held circular saw	GKM 18V-50	
Article number	3 601 FB8 0..	
Rated voltage	V ⁻⁻⁻	18
No-load speed ^{A)}	min ⁻¹	4250
Max. cutting depth ^{B)}		
– at a 0° mitre/bevel angle	mm	50
Spindle lock	●	
Base plate dimensions	mm	105 x 200
Max. saw blade diameter	mm	136
Max. base blade thickness	mm	1.6
Min. base blade thickness	mm	1.0
Max. tooth thickness/offset	mm	2.5
Min. tooth thickness/offset	mm	1.2
Locating bore	mm	20
Weight according to EPTA-Procedure 01:2014	kg	2.6–3.6

Hand-held circular saw	GKM 18V-50	
Recommended ambient temperature during charging	°C	0 to +35
Permitted ambient temperature during operation ^{C)} and during storage	°C	-20 to +50
Recommended rechargeable batteries	GBA 18V... ProCORE18V...	
Recommended chargers	GAL 18... GAX 18... GAL 36...	

A) Measured at 20–25 °C with rechargeable battery **GBA 18V 5.0Ah**.

B) If the ProCORE 18V 12.0Ah battery is used, this sits on the workpiece during working. Consequently, the maximum cutting depth cannot be reached.

C) Limited performance at temperatures < 0 °C

Fitting

- ▶ **Only use saw blades the maximum permitted speed of which is higher than the no-load speed of the power tool.**

Charging the Battery

- ▶ **Use only the chargers listed in the technical data.** Only these chargers are matched to the lithium-ion battery of your power tool.

Note: The battery is supplied partially charged. To ensure full battery capacity, fully charge the battery in the charger before using your power tool for the first time.

The lithium-ion battery can be charged at any time without reducing its service life. Interrupting the charging process does not damage the battery.

The lithium-ion battery is protected against deep discharge by the "Electronic Cell Protection (ECP)". When the battery is discharged, the power tool is switched off by means of a protective circuit: The application tool no longer rotates.

- ▶ **Do not continue to press the On/Off switch after the power tool has automatically switched off.** The battery can be damaged.

Follow the instructions on correct disposal.

Removing the battery

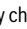

The battery (9) is equipped with two locking levels to prevent the battery from falling out if the battery release button (8) is pressed unintentionally. As long as the battery is inserted in the power tool, it is held in position by means of a spring.

To remove the battery (9), press the release button (8) and pull the battery to the rear and out of the power tool. **Do not use force to do this.**

Battery charge indicator

The green LEDs on the battery charge indicator indicate the state of charge of the battery. For safety reasons, it is only

possible to check the state of charge when the power tool is not in operation.

Press the button for the battery charge indicator  or  to show the state of charge. This is also possible when the battery is removed.

If no LED lights up after pressing the button for the battery charge indicator, then the battery is defective and must be replaced.

Battery model GBA 18V...



LEDs	Capacity
3× continuous green light	60–100 %
2× continuous green light	30–60 %
1× continuous green light	5–30 %
1× flashing green light	0–5 %

Battery model ProCORE18V...



LEDs	Capacity
5× continuous green light	80–100 %
4× continuous green light	60–80 %
3× continuous green light	40–60 %
2× continuous green light	20–40 %
1× continuous green light	5–20 %
1× flashing green light	0–5 %

Inserting/changing the circular saw blade

- ▶ **Remove the battery before carrying out any work on the power tool.**
- ▶ **Wear protective gloves when fitting the saw blade.**
Danger of injury when touching the saw blade.
- ▶ **Use only saw blades with a diameter of min. 130 mm and max. 136 mm.**
- ▶ **Do not use abrasive wheels as the application tool under any circumstances.**
- ▶ **Only use saw blades that match the specifications given in this operating manual and that are tested and marked in accordance with EN 847-1**

Selecting the saw blade

You will find an overview of recommended saw blades at the end of these operating instructions.

Removing the saw blade (see figure A)

To change tools, we recommend that you place the power tool down on the front side of the motor housing.

- Press and hold the spindle lock button **(1)**.
- ▶ **Do not press the spindle lock button (1) while the saw spindle is moving.** The power tool may become damaged if this happens.

- Use the hex key **(5)** to undo the clamping bolt **(16)** in rotational direction **(1)**.
- Swing the retracting blade guard **(21)** back and hold on to it firmly.
- Remove the clamping flange **(17)** and the saw blade **(18)** from the saw spindle **(20)**.

Fitting the saw blade (see figure A)

To change tools, we recommend that you place the power tool down on the front side of the motor housing.

- Clean the saw blade **(18)** and all the clamping elements to be fitted.
- Swing the retracting blade guard **(21)** back and hold on to it firmly.
- Place the saw blade **(18)** on the mounting flange **(19)**. The cutting direction of the teeth (direction of the arrow on the saw blade) must match the rotational direction of the arrow on the retracting blade guard **(21)**.
- Attach the clamping flange **(17)** and screw in the clamping bolt **(16)** in rotational direction **(2)**. Ensure that the mounting flange **(19)** and clamping flange **(17)** are installed in the correct position.
- Press and hold the spindle lock button **(1)**.
- Use the hex key **(5)** to tighten the clamping bolt **(16)** in rotational direction **(2)**. The tightening torque should be 6–9 Nm, which corresponds to hand-tight plus 1/8 turn.

Dust/Chip Extraction

The dust from materials such as lead paint, minerals and metal can be harmful to human health. Touching or breathing in this dust can trigger allergic reactions and/or cause respiratory illnesses in the user or in people in the near vicinity.

Certain kinds of metal dust are hazardous, especially in combination with alloys such as zinc, aluminium or chrome. Materials containing asbestos may only be machined by specialists.

- Provide good ventilation at the workplace.
 - It is advisable to wear a P2 filter class breathing mask.
- The regulations on the material being machined that apply in the country of use must be observed.

- ▶ **Avoid dust accumulation at the workplace.** Dust can easily ignite.

Operation

- ▶ **Remove the battery from the power tool before carrying out work on the power tool (e.g. maintenance, changing tool, etc.). The battery should also be removed for transport and storage.** There is risk of injury from unintentionally pressing the on/off switch.

Operating modes

Setting the cutting depth (see figure B)

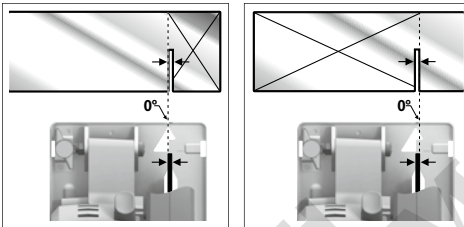
- **Adapt the cutting depth to the thickness of the workpiece.** A space of less than the height of one full tooth should be visible under the workpiece.

Loosen the clamping lever (10). For a smaller cutting depth, pull the saw away from the base plate (13); for a larger cutting depth, push the saw towards the base plate (13). Adjust the desired cutting depth at the cutting-depth scale. Retighten the clamping lever (10).

The clamping force of the clamping lever (10) can be readjusted. To do so, unscrew the clamping lever (10) and retighten it in a position offset by at least 30° in an anticlockwise direction.

Note: If the ProCORE18V 12.0Ah battery is used, this may sit on the workpiece during working. Consequently, the maximum cutting depth cannot be reached.

Cut marks



The cut mark (12) indicates the position of the saw blade when making a right-angled cut.

For a precise cut, place the circular saw against the workpiece as shown in the figure. We recommend making a test cut.

Utility hook (see figure C)

Your power tool is equipped with a utility hook (3) for hanging it to a ladder, for example. Simply fold the utility hook (3) to the required position.

- **When the power tool is hanging by the utility hook, ensure that the saw blade is protected against unintended contact in order to prevent injury.**

Fold the utility hook (3) in again when you want to begin work with the power tool.

Chip container (see figures F-G)

Caution: Do not touch the protective guard with chip container (2) and the metal chips with bare hands immediately after operation. These parts can be very hot and cause skin burns.

Do not cut material which has had thinner, petrol, grease or other chemicals applied to it. The metal chips produced by such materials could damage the protective guard with chip container (2) and lead to a break that could cause personal injury.

The metal chips are collected in the chip container of the protective guard (2). Empty the chip container at regular intervals.

To do this, push the chip container locking mechanism (25) upwards. Open the lid of the chip container (24) and tilt the power tool sideways to empty the chip container. After emptying, close the lid of the chip container (24) and lock the chip container again.

Start-up

- **Before carrying out any work with the power tool, ensure that the chip container is closed and locked. Never operate the power tool without a protective guard/with a defective protective guard/lid on the chip container.**

Inserting the battery

Push the charged battery (9) into the power tool until the battery is securely locked.

Switching on/off

- **Make sure that you are able to press the On/Off switch without releasing the handle.**

To **start** the power tool, first press the lock-off switch (6), then press and hold the on/off switch (7).

To **switch off** the power tool, release the on/off switch (7).

Note: For safety reasons, the on/off switch (7) cannot be locked; it must remain pressed during the entire operation.

Run-out brake

An integrated run-out brake shortens the time the saw blade keeps running for after the power tool has been switched off.

Protection Against Deep Discharging

The lithium-ion battery is protected against deep discharge by the Electronic Cell Protection (ECP). When the battery is discharged, the power tool is switched off by means of a protective circuit: The application tool no longer rotates.

Switching on the LED worklight

The lamp (26) lights up when the on/off switch (7) is lightly or fully pressed, meaning that the work area is illuminated in poor lighting conditions.

Practical advice

- **Remove the battery from the power tool before carrying out work on the power tool (e.g. maintenance, changing tool, etc.). The battery should also be removed for transport and storage.** There is risk of injury from unintentionally pressing the on/off switch.

The width of cut varies depending on the saw blade used. Protect saw blades against shock and impact.

Guide the power tool evenly, pushing it gently in the cutting direction. Applying too much pressure to the power tool when moving it in the cutting direction significantly reduces the service life of the application tools and can damage the power tool.

The sawing performance and the quality of the cut essentially depend on the condition and the tooth shape of the saw blade. This is why you should only use sharp saw blades that are suitable for the material being machined.

Sawing with the parallel guide (see figure D)

The parallel guide (14) allows you to make precise cuts along the edge of a workpiece and cut strips with the same dimensions.

Sawing with an auxiliary guide (see figure E)

For working on large workpieces or for cutting straight edges, you can securely fasten a board or rail to the workpiece as an auxiliary guide. The circular saw can be guided along the path of this auxiliary guide with the base plate.

Recommendations for Optimal Handling of the Battery

Protect the battery against moisture and water.

Only store the battery within a temperature range of -20 to 50 °C. Do not leave the battery in your car in the summer, for example.

Occasionally clean the ventilation slots on the battery using a soft brush that is clean and dry.

A significantly reduced operating time after charging indicates that the battery has deteriorated and must be replaced. Follow the instructions on correct disposal.

Maintenance and Service**Maintenance and Cleaning**

- ▶ **Remove the battery from the power tool before carrying out work on the power tool (e.g. maintenance, changing tool, etc.). The battery should also be removed for transport and storage.** There is risk of injury from unintentionally pressing the on/off switch.
- ▶ **To ensure safe and efficient operation, always keep the power tool and the ventilation slots clean.**
- ▶ **Replace the lid on the chip container (24) in case of damage.**

The retracting blade guard must always be able to move freely and retract automatically. It is therefore important to keep the area around the retracting blade guard clean at all times. Remove dust and chips with a paintbrush.

After-Sales Service and Application Service

Our after-sales service responds to your questions concerning maintenance and repair of your product as well as spare parts. You can find explosion drawings and information on spare parts at: www.bosch-pt.com

The Bosch product use advice team will be happy to help you with any questions about our products and their accessories.

In all correspondence and spare parts orders, please always include the 10-digit article number given on the nameplate of the product.

Malaysia

Robert Bosch Sdn. Bhd. (220975-V) PT/SMY
No. 8A, Jalan 13/6
46200 Petaling Jaya
Selangor
Tel.: (03) 79663194
Toll-Free: 1800 880188

Fax: (03) 79583838

E-Mail: kiathoe.chong@my.bosch.com

www.bosch-pt.com.my

You can find further service addresses at:

www.bosch-pt.com/serviceaddresses

Transport

The recommended lithium-ion batteries are subject to legislation on the transport of dangerous goods. The user can transport the batteries by road without further requirements.

When shipping by third parties (e.g.: by air transport or forwarding agency), special requirements on packaging and labelling must be observed. For preparation of the item being shipped, consulting an expert for hazardous material is required.

Dispatch battery packs only when the housing is undamaged. Tape or mask off open contacts and pack up the battery in such a manner that it cannot move around in the packaging. Please also observe the possibility of more detailed national regulations.

Disposal

Power tools, rechargeable batteries, accessories and packaging should be sorted for environmental-friendly recycling.



Do not dispose of power tools and batteries/rechargeable batteries into household waste!

Battery packs/batteries:**Li-ion:**

Please observe the notes in the section on transport (see "Transport", page 12).

Français**Consignes de sécurité****Avertissements de sécurité généraux pour l'outil électrique****AVERTISSEMENT**

Lire tous les avertissements de sécurité, les instructions, les illustrations et les spécifications fournis

avec cet outil électrique. Ne pas suivre les instructions énumérées ci-dessous peut provoquer un choc électrique, un incendie et/ou une blessure sérieuse.

Conserver tous les avertissements et toutes les instructions pour pouvoir s'y reporter ultérieurement.

Le terme "outil électrique" dans les avertissements fait référence à votre outil électrique alimenté par le secteur (avec



Robert Bosch Power Tools GmbH
70538 Stuttgart
GERMANY

www.bosch-pt.com

1 609 92A 74W (2022.03) O / 85



1 609 92A 74W



МАСТЕРИНИ МАЙСТОРА®
ПРОФЕСИОНАЛНИ РЕШЕНИЯ

en
fr
pt
zh
zh
th

id

vi
ar
fa