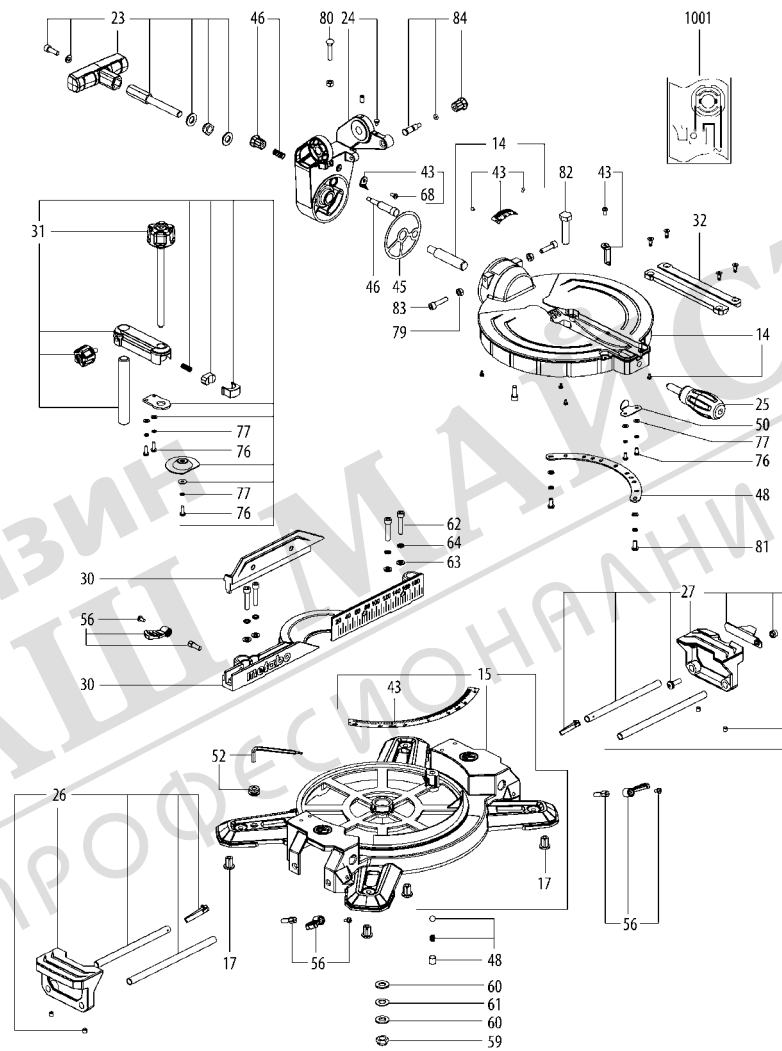
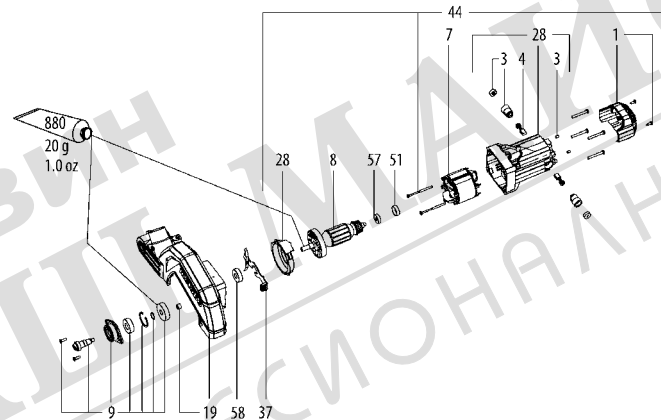


МАГАЗИН МАСТОРА®
БАШ ПРОФЕСИОНАЛНИ РЕШЕНИЯ



МАГАЗИН МАСТОРА®
 БАШТА ПРОФЕСИОНАЛНИ РЕШЕНИЯ



Position	Amount	Type number	Description	PG
1	1	343457540	Motor cover	11
2	1	316060610	Flange compl.	21
3	1	316060620	Carbon brush holder compl.	16
4	1	316060650	Carbon brush set	15
5	1	343457650	LED-Lamp	19
7	1	310011420	Stator	34
8	1	310011470	ARMATURE	38
9	1	316075360	RACK GUIDER ASS'Y + GERA BOX ASS'Y	25
10	1	343254900	Condenser	11
11	1	341113090	Handle	22
12	1	343413080	Switch	16
13	1	343090190	Power supply	19
14	1	316075720	Turning table comp.	31
15	1	316073830	base cpl.	34
16	1	316075730	Moving guard comp.	19
17	1	316075390	Foot compl.	11
18	1	316060850	strain relieve compl.	23
19	1	339204980	Wheel guard compl.	32
20	2	316075410	Switch trigger compl.	12
21	1	316056900	SWIVEL LEVER compl.	23
23	1	316075750	Bevel clamping comp.	16
24	1	315421050	Bracket compl.	26
25	1	316073860	Handle compl.	13
26	1	315421030	Table side extension left	22
27	1	315421040	Table side extension right	22
28	1	316075760	343447440sing compl.	22
30	1	331050860	fence	27
31	1	316075690	Workpiece holder compl.	22
32	1	343457210	Table insert	11
34	1	316075450	Dust etraction kit compl.	13
35	1	343435770	Cover dust collector	12
36	1	343436250	Extraction funnel	11
37	1	316075460	Spindle lock compl.	11
40	1	316061390	tipping axis compl.	23
43	1	316075770	Scale set compl.	12
44	1	316075780	Motor compl.	39
45	1	339139120	Sliding sheet	11
46	1	316075790	End stop cpl.	11
48	1	316044520	Locking table trunnion compl.	16
49	1	316061540	Bearing compl.	14
50	1	339136750	Locking element	11

Position	Amount	Type number	Description	PG
51	1	344113040	Rubber bushing	11
52	1	316075510	Tool holder col.	11
54	1	338079390	Rating plate 10216000 KS 216 M	12
56	1	316075520	Bevel clamping comp.	14
57	1	143115700	Ball bearing,8x22x7	14
58	1	143115730	Ball bearing	14
59	1	141132030	Hex nut	11
60	1	141150050	Washer	11
61	1	141150390	Lock washer	11
62	1	141113870	Cap screw	12
63	1	141150130	Washer	11
64	1	141155240	Lock washer	12
68	1	141110540	Fillister head screw	11
71	3	141124470	CROSS REC'D PAN HEAD TAP.SCREW ST 4,2X9,	11
72	2	141111430	Fillister head screw	12
73	10	141118730	Self-tap. fill. h. screw	11
78	1	141124480	HEX. SOCKET SET SCREW, FLAT PT M 6X20 VE	11
79	3	141130100	Hexagonal nut	11
80	1	141124490	Truss head screw	11
81	2	141110600	Fillister head screw	11
82	1	141124500	HEXAGON HEAD SCREW M 10X40 VERZ.	11
83	2	141113900	Cap screw	12
84	1	316075620	Saw head lock comp.	11
880	1	344130970	Grease 50Gr 1,8oz	22
1001	1	338510890	Wiring diagram	



МАШИН МАЙСТОР
 БАШ МАЙСТОР
 ПРОФЕСИОНАЛНИ РЕШЕНИЯ

