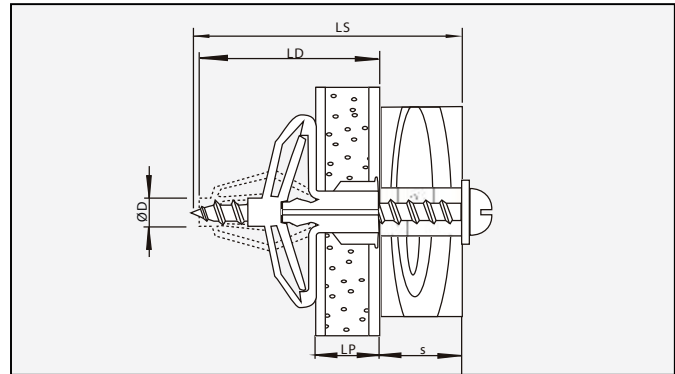
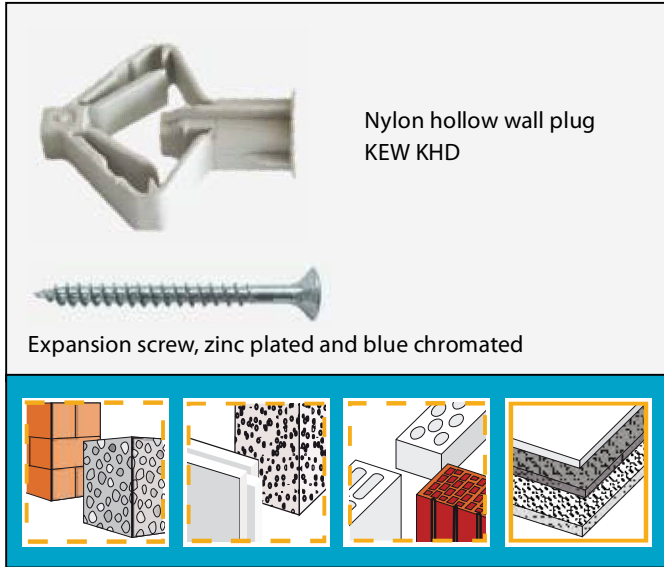


Nylon Hollow Wall Plug - KHD



* min. screw length

plug length	LD
+ fixture thickness	S
= min. screw length	LS

Suitability

Base materials:

panels and boards such as plasterboard, gypsum fibreboards, fibre cement boards, hardboards, chipboards, limited suitability for concrete and masonry, hollow blocks, hollow bricks

For fixing of:

all objects which can be fixed with wood and chipboard screws: picture frames, lamps, shelves, wall-mounted cup-boards, skirting boards, soap dishes, towel rails, letter boxes, mo-

Technical Data



KEW KHD - nylon hollow wall plug

type	ref.-no.	Ø Plug Ø Bit [mm]	LD plug length [mm]	LP board thickn. min/max [mm]	S screw [mm]	s fixture thick- ness [mm]	qty. per box pcs.	outer carton pcs.
KEW KHD 10 x 50	33389	10	50	10	3,5 - 4,0		100	800



KEW KHD SP - nylon hollow wall plug with chipboard screw

KEW KHD 10 x 50 SP	33390	10	50	10	4,0 x 60,0	10	100	800
--------------------	-------	----	----	----	------------	----	-----	-----

Characteristics

- suitable for nearly all kinds of base materials, especially to fix objects to boards and panels
- optimal suitability for single and double plasterboards
- collar with edges prevents plug from rotating
- Collar prevents plug to slip into hole

Advice

If installed in hollow bricks or boards/ panels hooks and eye screws with integral collar must be used to make sure that the plug form locks in the substrate (folding open).

Pullout loads in kN*

	gypsum plasterboard 12.5 mm	gypsum plasterboard 2 x 12.5 mm
KHD 10	0,73	1,04

* the loads stated are failure loads valid for general fixings and confirmed strength of the base material indicated. An adequate safety factor should be applied.

Installation

