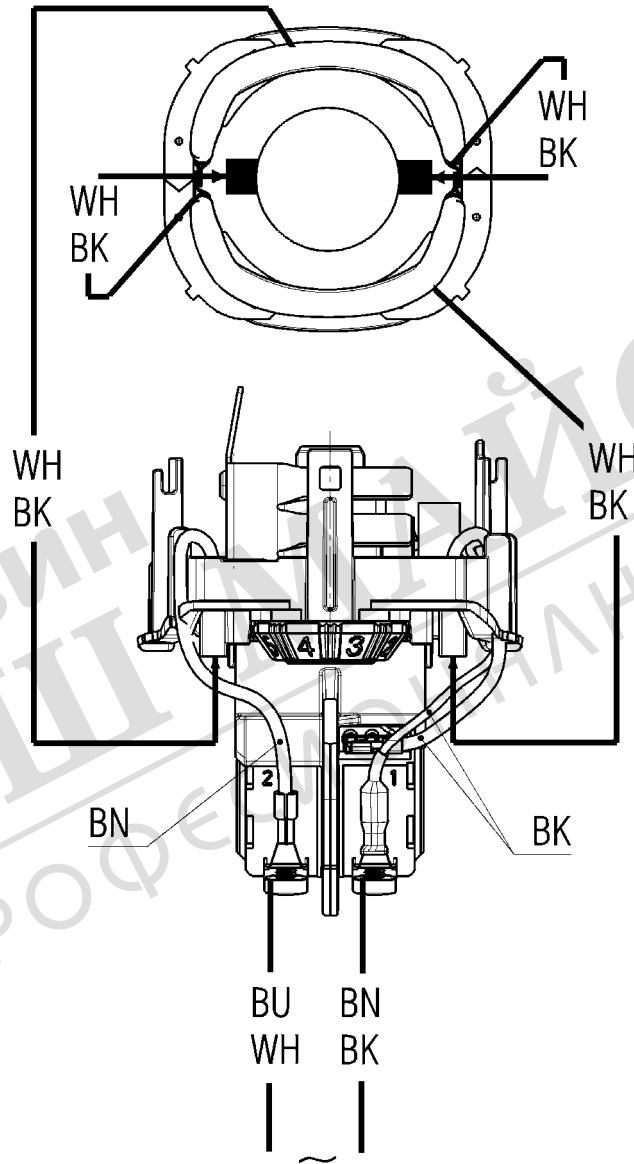


Position	Amount	Type number	Description	PG
1	1	310010990	Armature compl., 230V	36
2	1	311012980	Field coil assembly 230V	31
4	1	399999990	Part not needed	
5	1	399999990	Part not needed	
6	1	343362490	Cable clip	12
7	1	315013790	Motor housing	21
8	1	339151180	Baffle	11
9	1	339151200	Baffle	11
10	1	316064460	electronic unit w.switch	33
11	1	143115690	Ball bearing,6x19x6	13
12	1	344097870	Rubber bushing	11
13	1	339133060	Washer,8,05x17x0,4	11
14	1	143115700	Ball bearing,8x22x7	14
15	1	339006390	Washer,7,05x19,5x0,2	11
16	1	341100940	Hexagon nut w.recess	12
18	1	316076120	Handle 2 part	25
20	1	316065300	Switch trigger compl.	13
23	1	316064830	Wheel guard compl.	35
25	1	399999990	Part not needed	
26	1	316052550	Arbor compl.,M14	39
30	1	339012430	Gasket	11
31	4	141121640	Fill. head screw(DIN 7985)	11
32	6	141116980	Self-tap. fill. h. screw	11
33	3	141117060	Self-tap. fill. h. screw	12
34	1	338068900	Rating plate	11
52	1	316066130	Bevel gear w.pinion	35
53	1	316067080	Gear flange compl.	49
54	1	316064710	Gear housing compl.	30
56	1	316066110	Planet wheel set, compl.	36
57	1	316054850	Fan w. dust guard	15
58	1	341605360	Spindle shaft	24
59	1	341112840	Knurled screw	26
60	1	141156230	Adjusting spring	11
61	1	141156650	Retaining ring	11
62	1	143196000	O-ring	11
63	1	342003390	Pressure spring	11
64	1	343433640	Push button	11
65	1	341515640	Bolt	11
66	1	316066120	Flange compl.	29
70	1	343433060	Tacho disc	13
73	1	342004190	Pressure spring	11

Position	Amount	Type number	Description	PG
77	1	343410270	Switch 2-pole,X2	21
87	1	316065420	Brush holder set	23
89	1	316065450	Carbon brush set cut-off	22
124	1	316067170	carbonbrush with brushholder Set 230V	27
880	1	344130920	Grease 100G	31
885	1	344130560	Grease SF 011 50Gr 1,8oz	30
1001	1	338506170	Diagram	
1005	1	316067320	Cable with sleeve	27



МАГАЗИН
БАШ МАЙСТОРА
 ПРОФЕСИОНАЛНИ РЕШЕНИЯ



МАГАЗИН БАШКОМСТОРА®
ПРОФЕССИОНАЛЬНЫЕ РЕШЕНИЯ