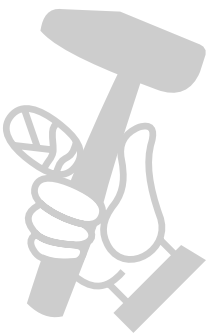
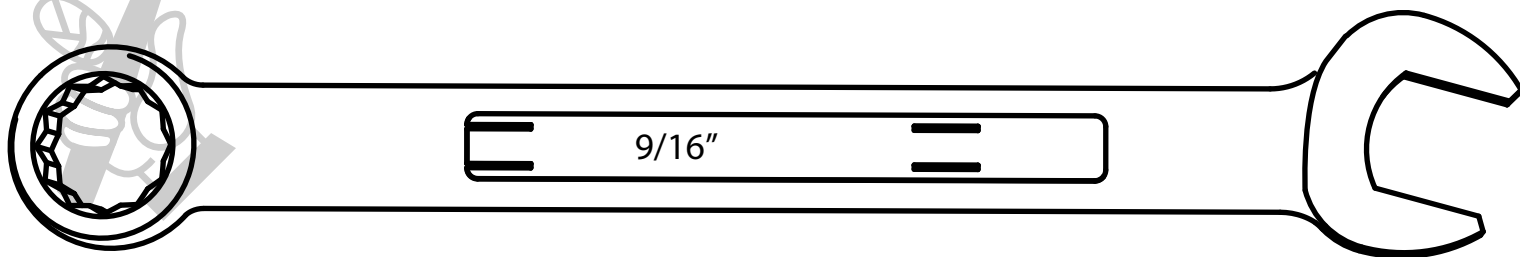
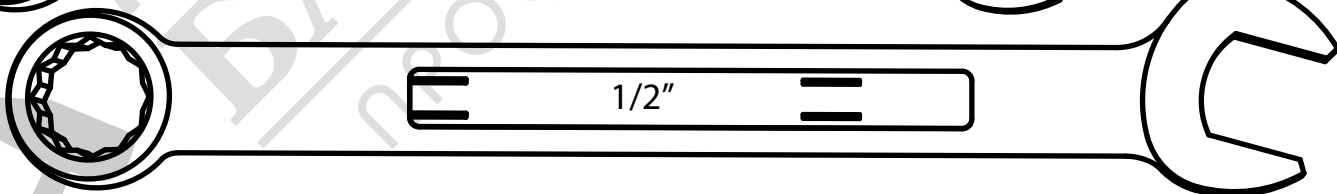
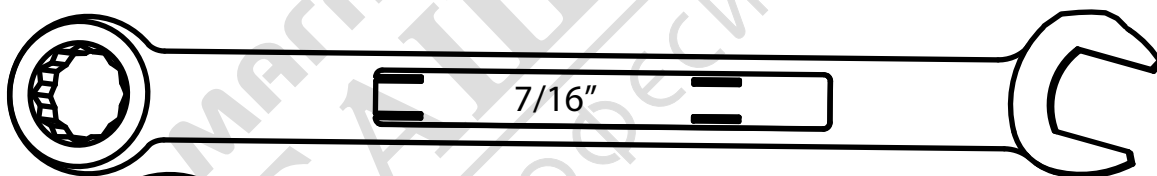
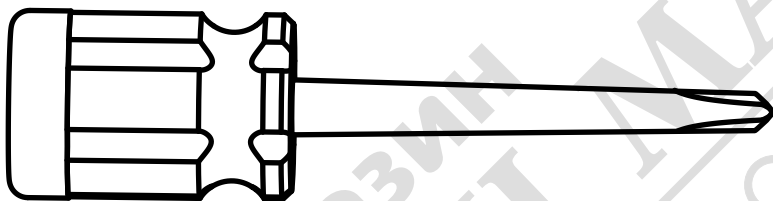
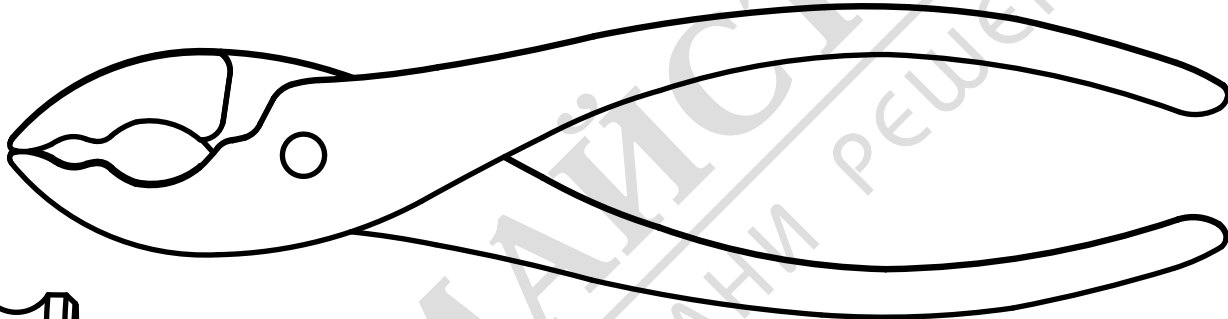
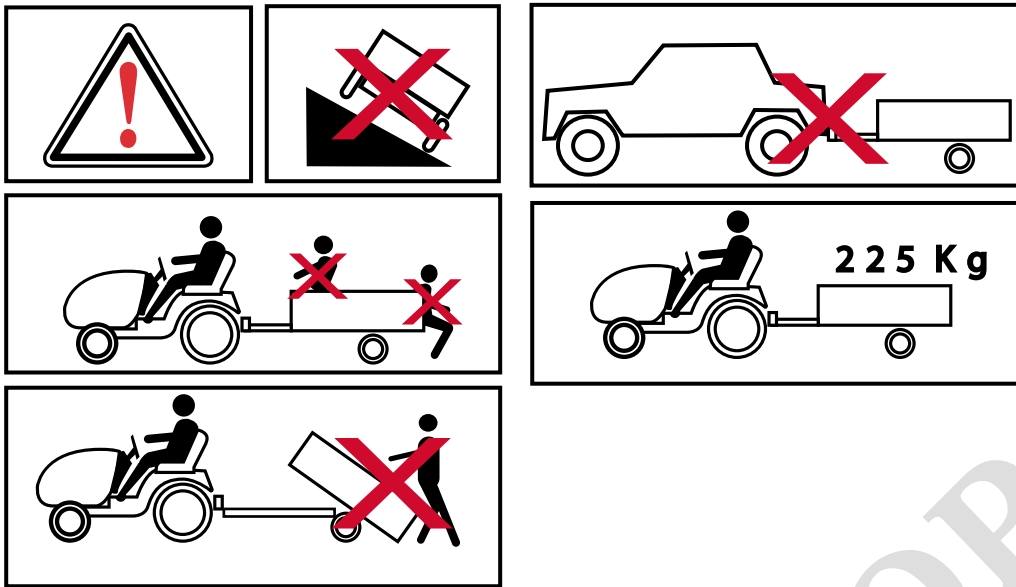
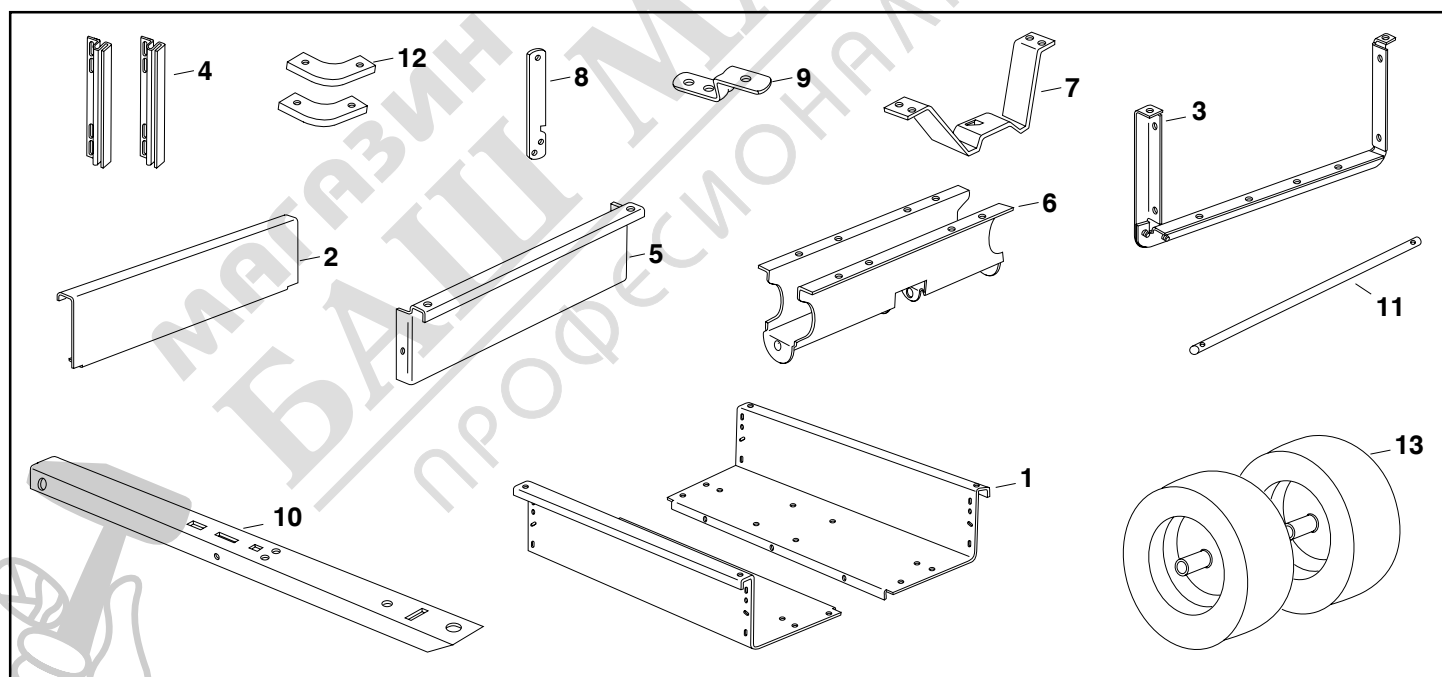
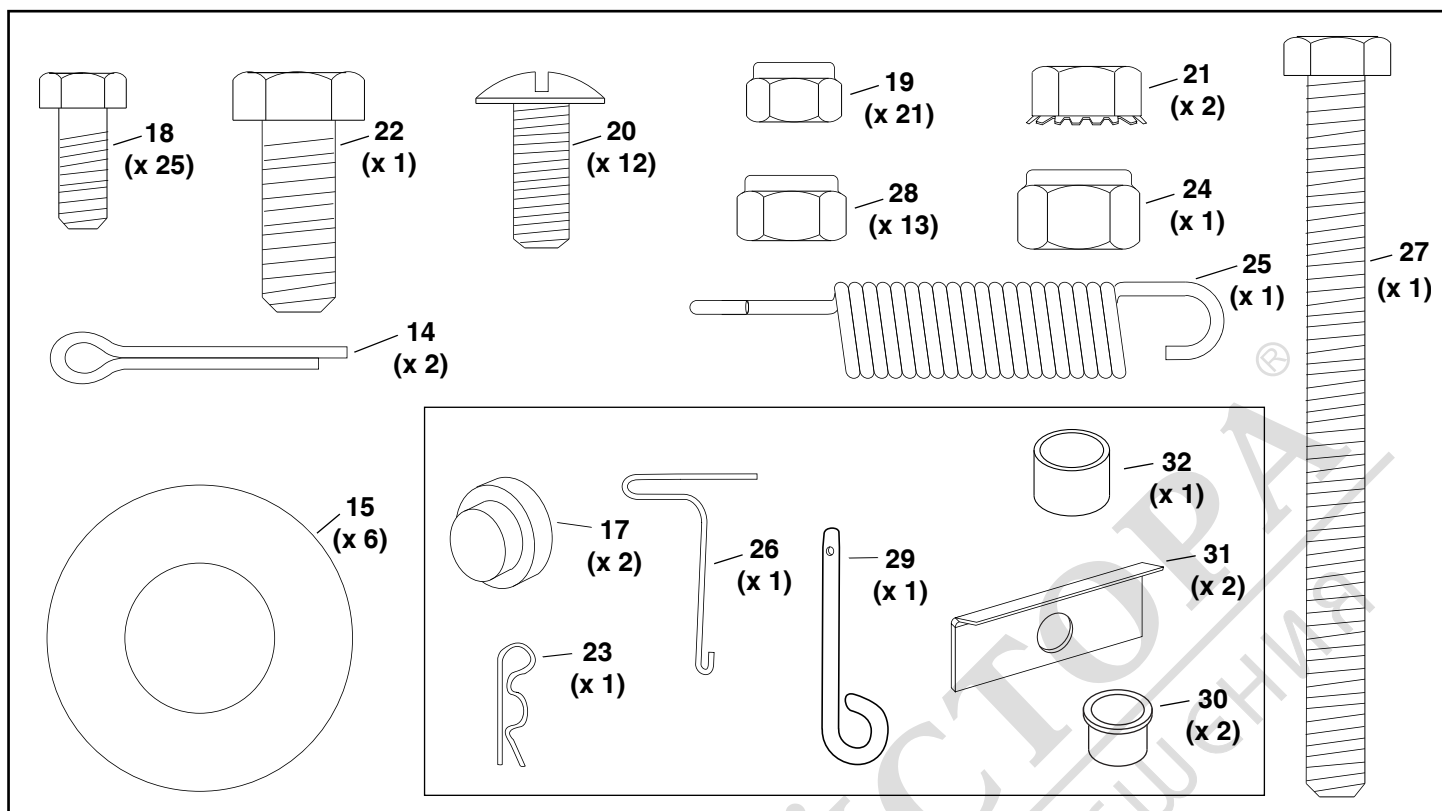


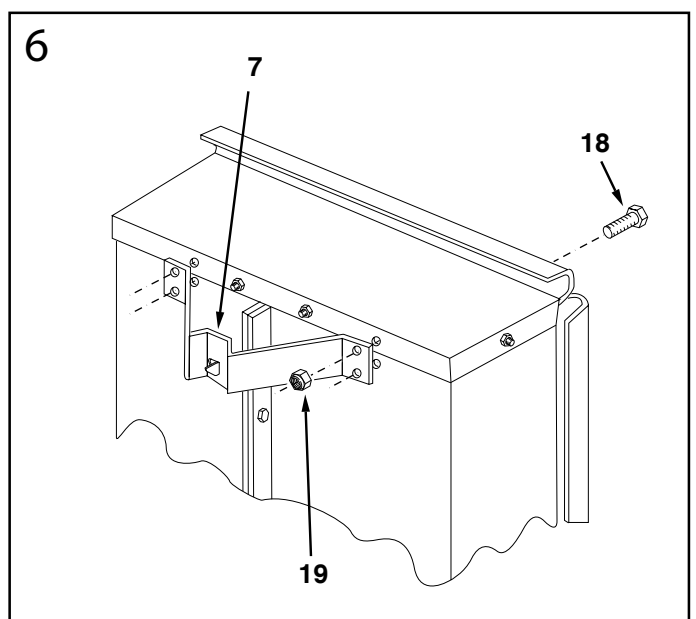
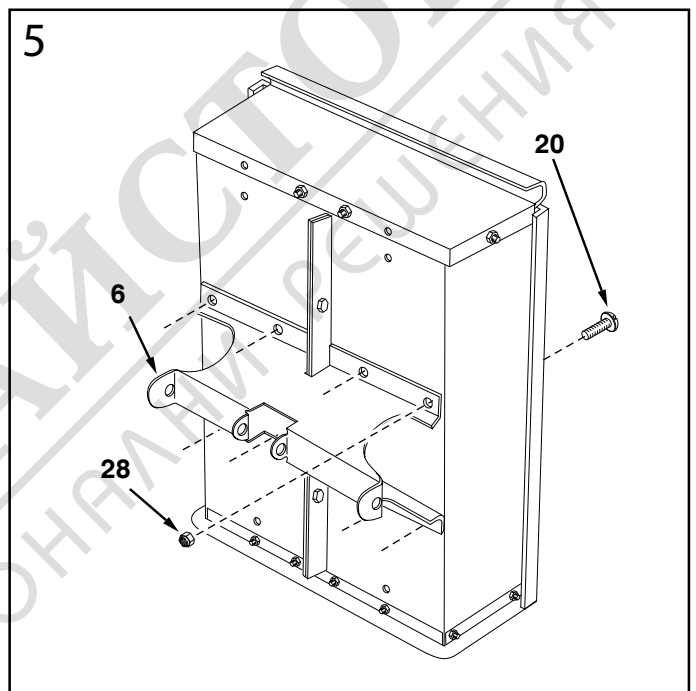
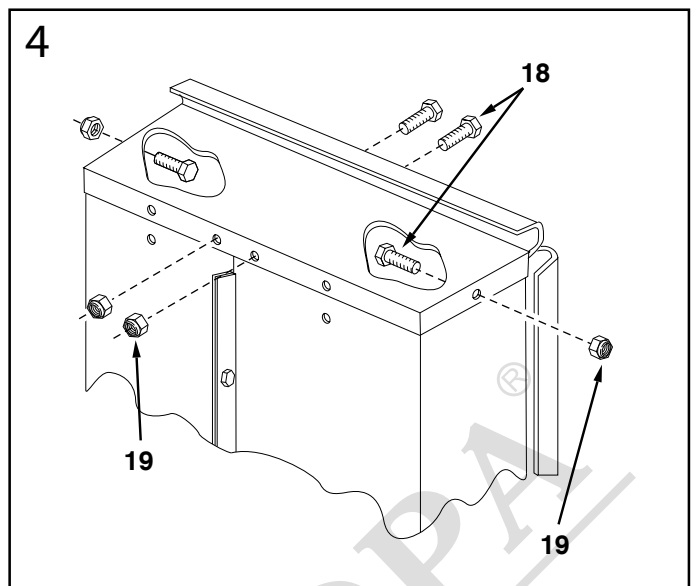
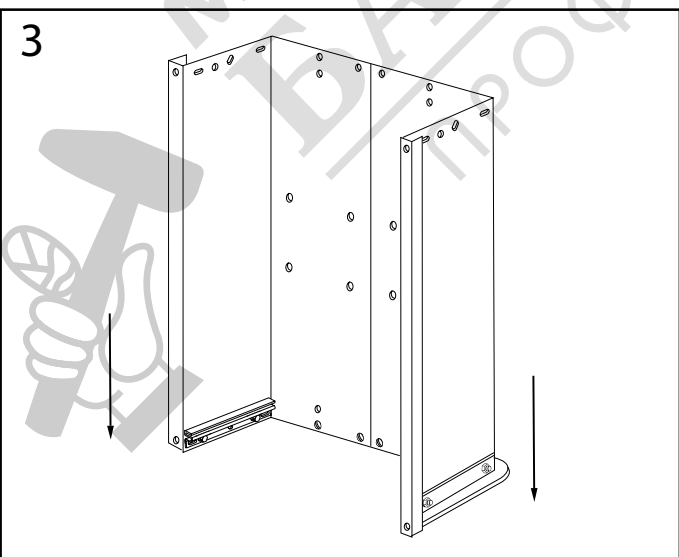
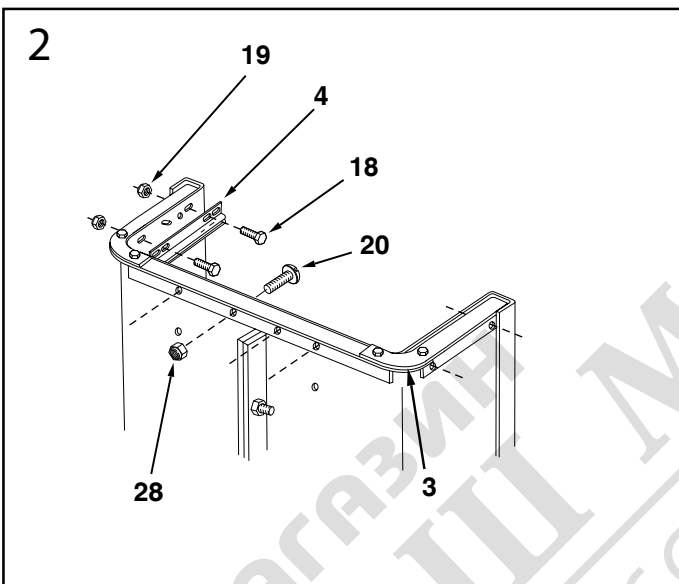
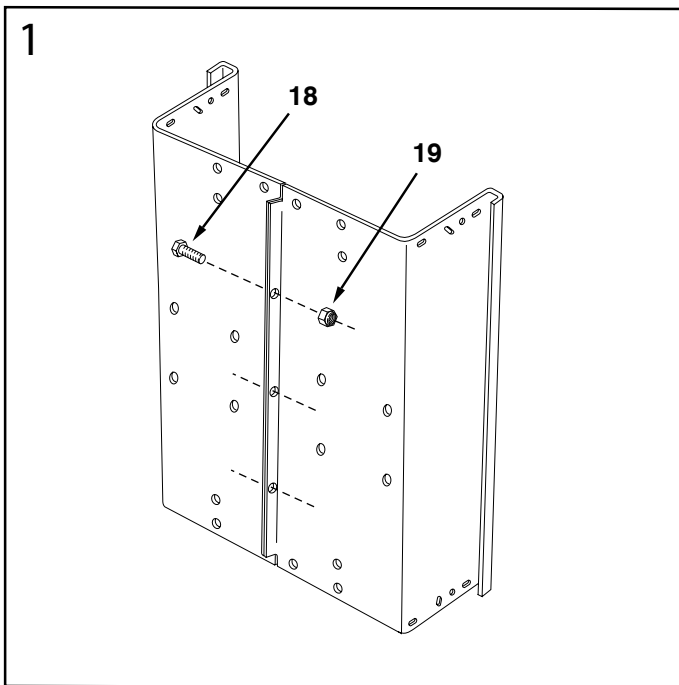
**501 00 82-01**

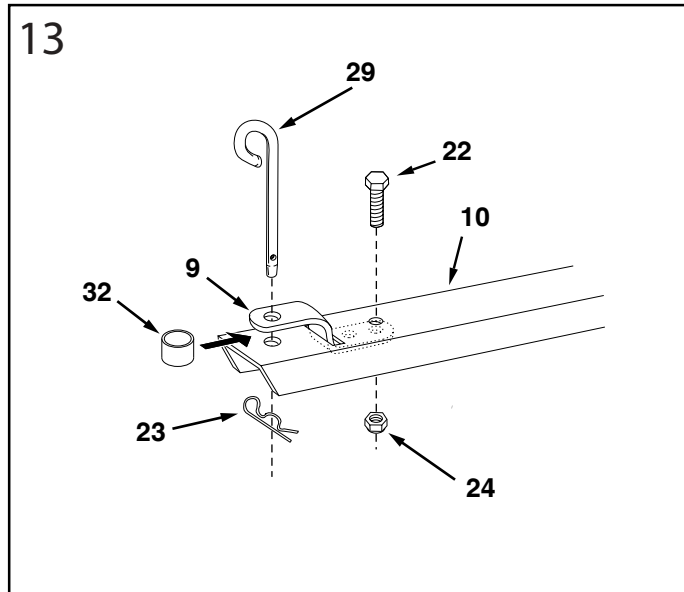
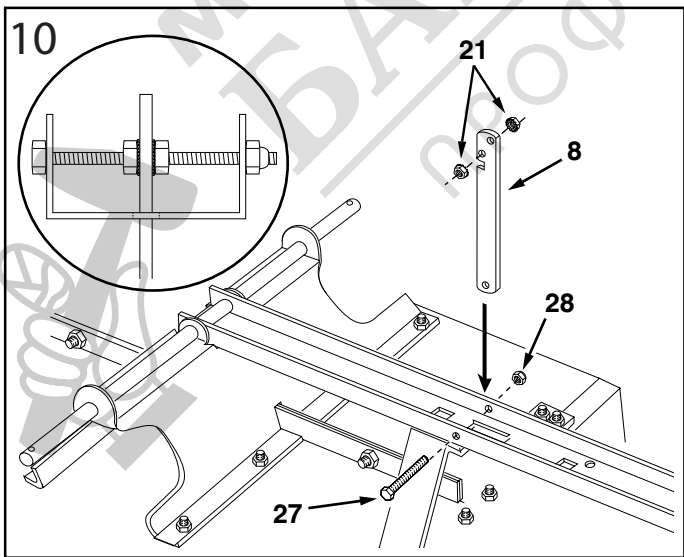
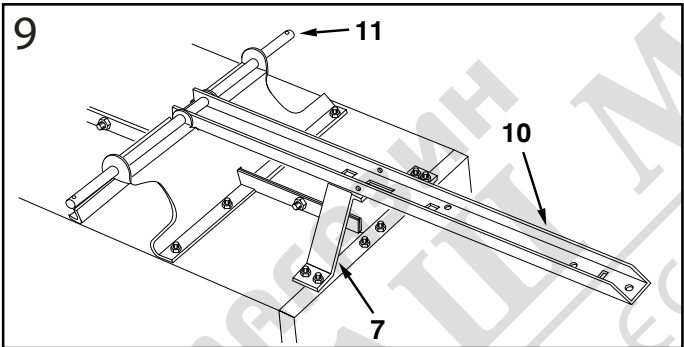
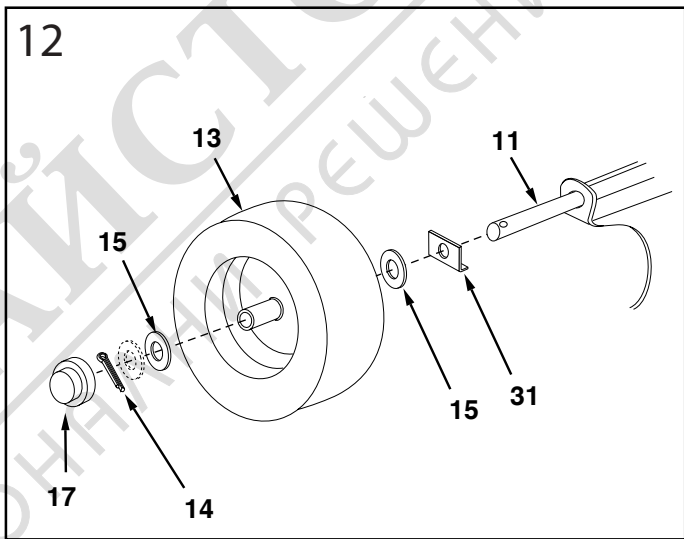
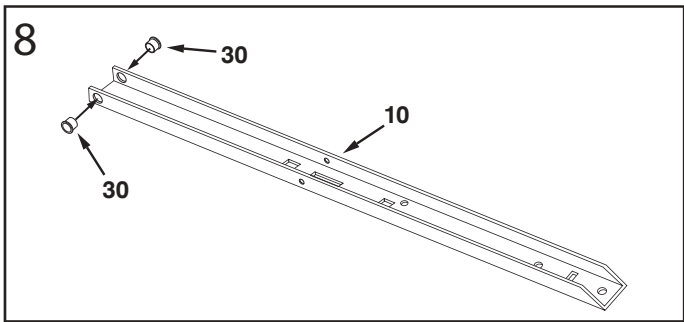
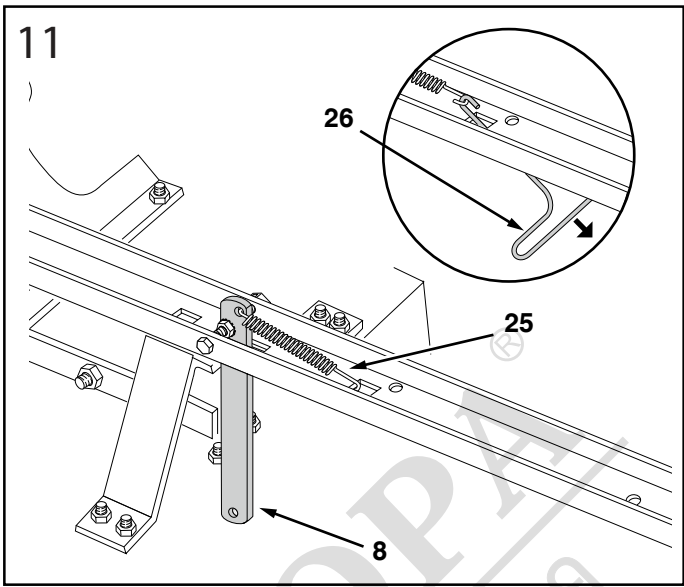
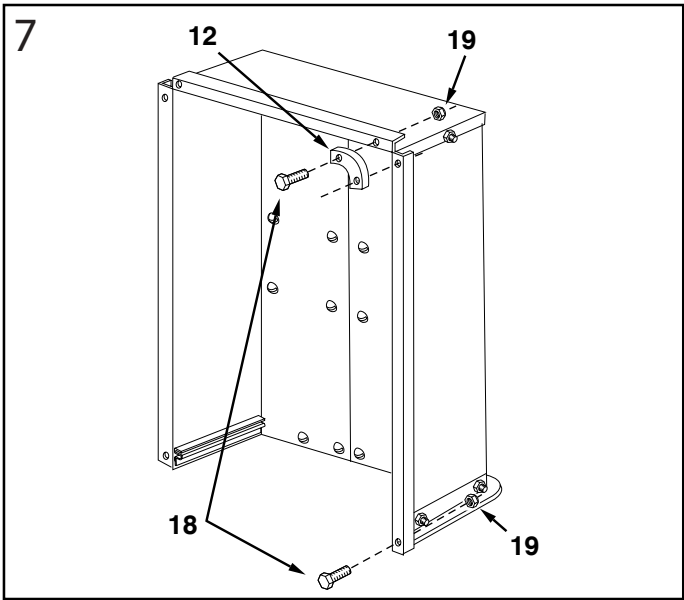
**501 00 82-02**



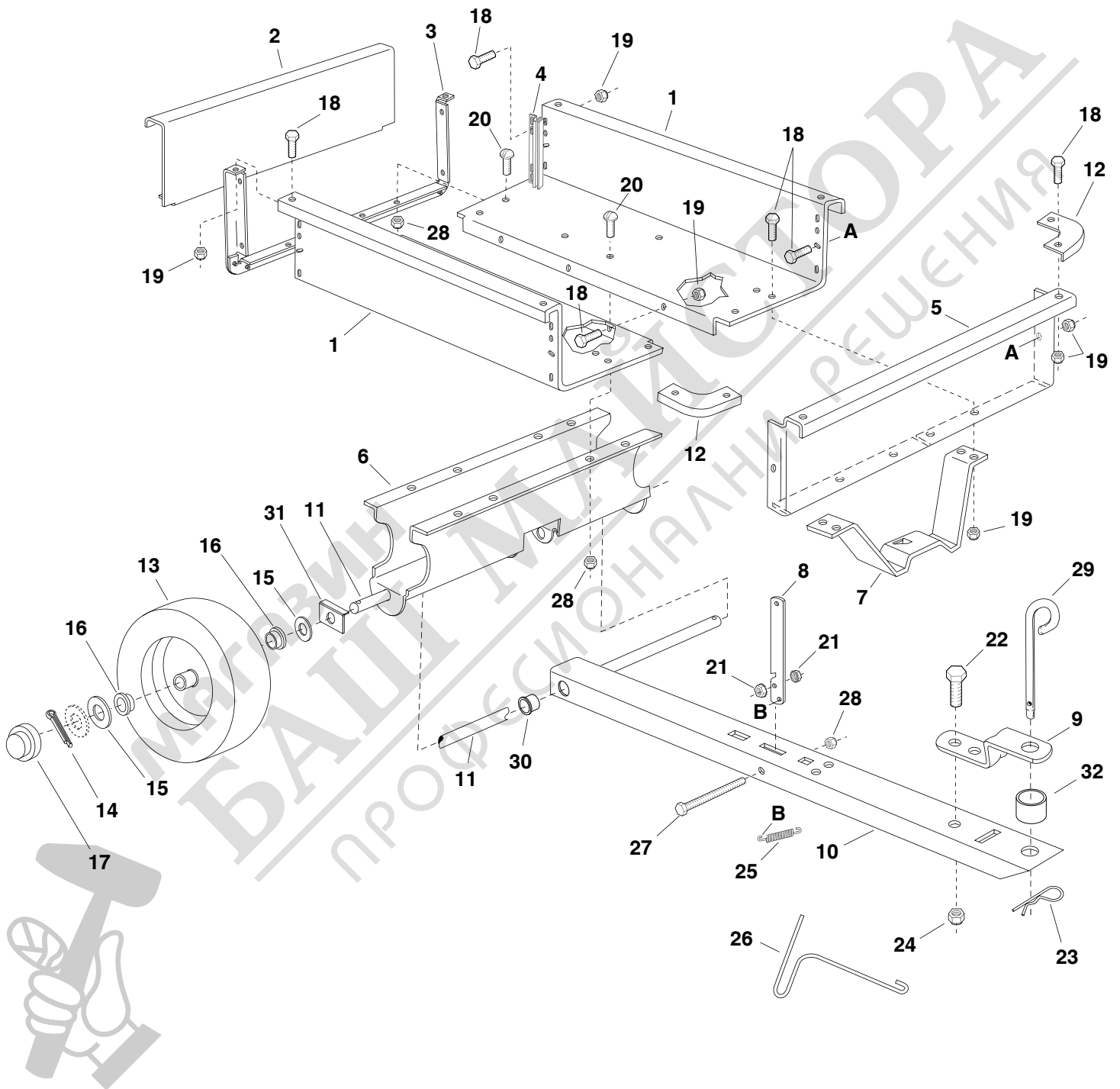






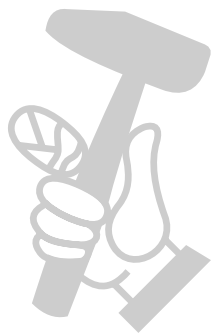


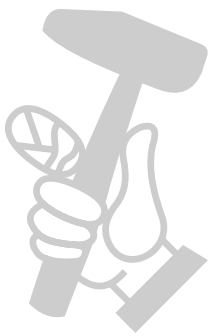
# 501 00 82-01, 501 00 82-02



## 501 00 82-01, 501 00 82-02

REF. NO.	PART NO.	DESCRIPTION	QUANTITY
1	23985	Cart Body	2
2	23502	Tailgate	1
3	62458	Tailgate Reinforcement Bracket	1
4	23548	Guide, Tailgate	2
5	23492	Front Panel	1
6	25996	Wheel Support	1
7	24497	Latch Stand Bracket	1
8	24498	Latch Lock Lever	1
9	23014	Hitch Bracket	1
10	24750	Draw Bar Tongue	1
11	24896	Axle, Wheel 3/4" Dia.	1
12	23484	Cap, Front Corner	2
13	43008	Wheel Assembly (Includes item #16)	2
14	43010	Cotter Pin, 1/8" Dia. x 1" *	2
15	43009	Washer, Flat 3/4" *	6
16	44264	Wheel Bearing	4
17	43014	Hub Cap	2
18	43866	Hex Bolt, 1/4-20 x 5/8" *	21
19	47189	Nylock Nut, 1/4-20 *	21
20	43814	Truss Hd. Bolt, 5/16-18 x 3/4" Lg.*	12
21	46980	Hex Nut, 5/16-18 (SEMS)	2
22	43001	Hex Bolt, 3/8-16 x 1" Lg. *	1
23	43343	Hair Cotter Pin, 1/8" (#4) *	1
24	HA21362	Nylock Nut, 3/8-16 *	1
25	47408	Extension Spring	1
26	47622	Spring Puller Tool	1
27	47407	Hex Bolt, 5/16-18 x 3-3/4*	1
28	47810	Nylock Nut, 5/16-18*	13
29	23353	Hitch Pin	1
30	44798	Flange Bearing	2
31	25912	Axle Clip	2
32	23368	Spacer	1





МАГАЗИН  
БАШ МАЙСТОРА®  
ПРОФЕСИОНАЛНИ РЕШЕНИЯ

© 2006 Agri-Fab, Inc.

REPAIR PARTS  
Agri-Fab, Inc.  
303 West Raymond  
Sullivan, IL. 61951  
217-728-8388  
[www.agri-fab.com](http://www.agri-fab.com)