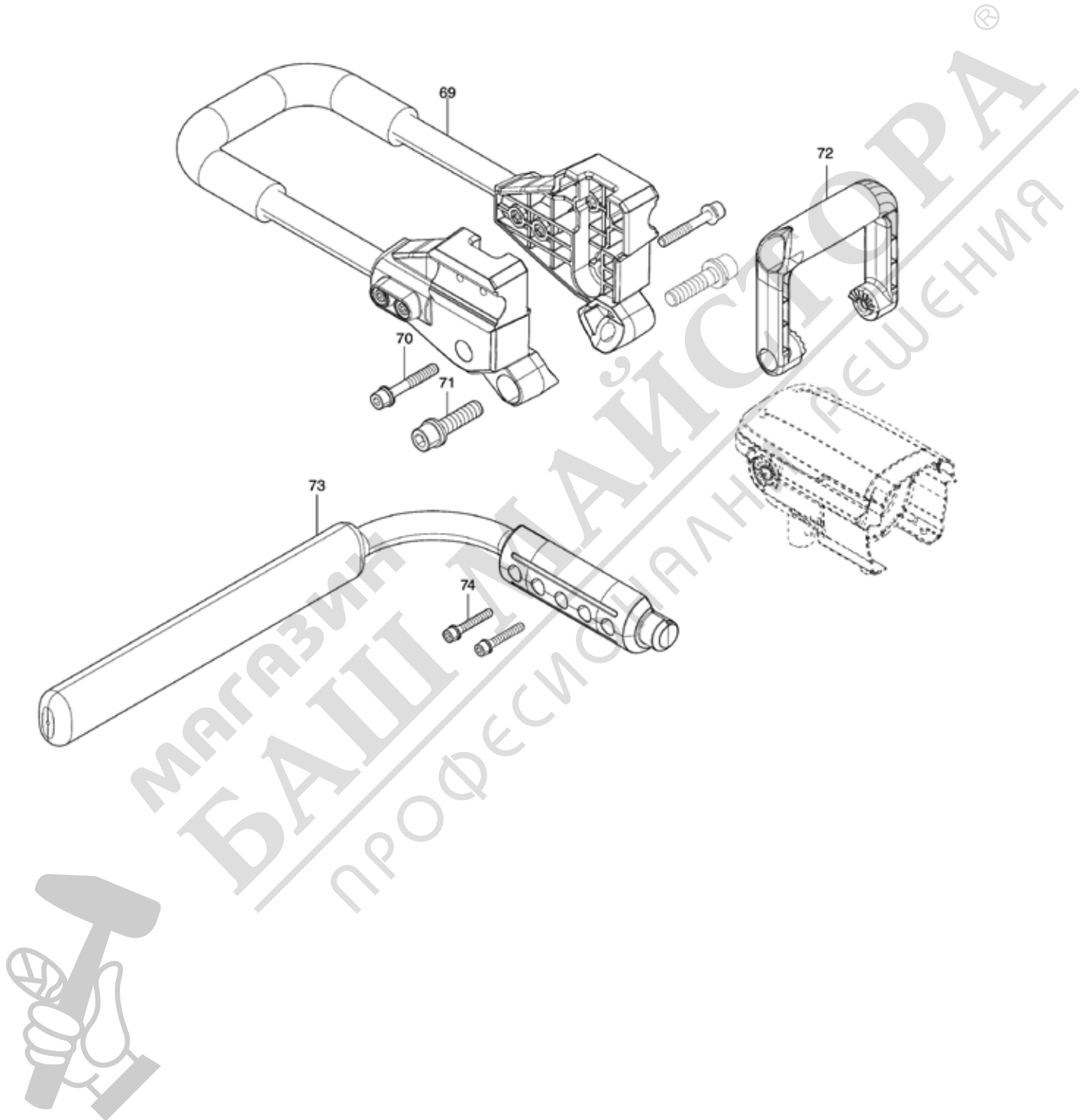


Model No.DG002G CORDLESS EARTH AUGER



Model No.DG002G CORDLESS EARTH AUGER

Item	Parts No.	Description	I/C	QTY	New/Old	Opt. 1	Opt. 2	NOTE
001	458430-3	TOP COVER		1				
002	266026-4	TAPPING SCREW BIND CT 4X12		2				
003	266326-2	TAPPING SCREW 4X18		10				
004	183Y57-7	HANDLE SET		1				
C10	263005-3	RUBBER PIN 6		2				
C20	252126-6	HEX. LOCK NUT M4-7		1				
C30	8012U4-2	XGT LOGO LABEL		1				
D10		INC. 66						
005	266086-6	HEX. SOCKET HEAD BOLT M5X16		4				
006	140A21-7	GEAR HOUSING COVER COMPLETE		1				
D10		INC. 7						
007	213709-7	O RING 63		1				
008	252267-8	HEX. NUT M16-22		1				
009	253771-0	FLAT WASHER 16		1				
010	227920-5	SPIRAL BEVEL GEAR 40		1				
011	254032-1	WOODRUFF KEY 5		1				
012	257440-5	SLEEVE 17		1				
013	265695-8	H. S. H. BOLT M5X30 WITH WRM		4	*			
013-1	265D24-9	H. S. H. BOLT M5X30 WITH WRM	O	4				
014	141D39-9	GEAR HOUSING COMPLETE		1				
C10	213507-9	O RING 40		1				
C20	213755-0	O RING 75		1				
015	216022-2	STEEL BALL 7.0		8				
016	211278-2	BALL BEARING 6203DDW		1				
017	327C19-5	SPINDLE		1				
018	141S89-4	BEARING RETAINER32-43 COMPLETE		1				
019	253411-0	FLAT WASHER 6		1				
020	136563-1	SPIRAL BEVEL GEAR 13 ASS'Y		1				
D10		INC. 21						
021	211206-7	BALL BEARING 6202LLB		1				
022	962153-2	RETAINING RING R-35		1				
023	140A13-6	CARRIER A COMPLETE		1				
024	226177-5	INTERNAL GEAR 40		1				
025	212193-3	NEEDLE CAGE 5810		3				
026	226176-7	SPUR GEAR 13		3				
027	223188-1	CAM		1				
028	347365-2	WASHER 65		1				
029	127809-6	GEAR CASE COMPLETE		1				
030	961058-3	RETAINING RING (EXT) S-18		1				

Please order the parts with part number.

Print Date 5/19/2023

Model No.DG002G CORDLESS EARTH AUGER

Item	Parts No.	Description	I/C	QTY	New/Old	Opt. 1	Opt. 2	NOTE
031	213265-7	O RING 17		1				
032	458433-7	CHANGE LEVER		1				
033	233279-0	COMPRESSION SPRING 4		1				
034	458434-5	LOCK BUTTON		1				
035	226175-9	SPUR GEAR 14		1				
036	310876-0	CHANGE RING		1				
037	347366-0	CHANGE GUIDE		1				
038	267010-2	FLAT WASHER 5		1				
039	231657-8	TORSION SPRING 6		1				
040	265628-3	+ BINDING HEAD SCREW M5		1				
041	253215-0	FLAT WASHER 8		1				
042	140A14-4	CARRIER B COMPLETE		1				
043	226174-1	INTERNAL GEAR 71		1				
044	140A12-8	SPUR GEAR 29 COMPLETE		3				
045	253412-8	FLAT WASHER 15		1				
046	213755-0	O RING 75		1				
047	140A20-9	MOTOR BRACKET COMPLETE		1				
D10		INC. 46,48						
048	213406-5	O RING 30		1				
049	211087-9	BALL BEARING 6200DDW		1				
050	519689-8	ROTOR ASSY		1				
D10		INC. 49,51						
051	211022-7	BALL BEARING 607ZZ		1				
052	266326-2	TAPPING SCREW 4X18		2				
053	458427-2	BAFFLE PLATE		1				
054	629B69-3	STATOR		1				
055	620K74-7	CONTROLLER B		1				
056	638A31-1	LEAD UNIT		1				
057	652119-7	PAN HEAD SCREW M2X6		6				
058	458426-4	MOTOR HOUSING		1				
059	265695-8	H. S. H. BOLT M5X30 WITH WRM		4	*			
059-1	265D24-9	H. S. H. BOLT M5X30 WITH WRM	O	4				
060	620F91-7	CONTROLLER		1				
061	632P65-6	TERMINAL UNIT		1				
062	140A19-4	SWITCH CIRCUIT COMPLETE		1				
063	620839-1	LED CIRCUIT		1				
064	458432-9	F/R CHANGE LEVER		1				
065	651443-5	SWITCH C3JR-4B		1				
066	183Y57-7	HANDLE SET		1				
C10	263005-3	RUBBER PIN 6		2				
C20	252126-6	HEX. LOCK NUT M4-7		1				

Please order the parts with part number.

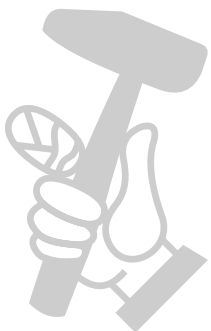
Print Date 5/19/2023

Model No.DG002G CORDLESS EARTH AUGER

Item	Parts No.	Description	I/C	QTY	New/Old	Opt. 1	Opt. 2	NOTE
C30	8012U4-2	XGT LOGO LABEL		1				
D10		INC. 4						
067	688162-0	LINE FILTER		1				
068	264002-2	SQUARE NUT M5		2				
069	127688-2	PIPE GRIP ASSEMBLY		1				
070	922478-6	H.S.H.BOLT M8X55 WITH WR		2				
071	922673-8	H.S.H.BOLT M12X50 WITH WR		2				
072	458431-1	FRONT GRIP		1				
073	141N53-5	PIPE COMPLETE		1				
074	922363-3	H.S.H.BOLT M6X40 WITH WR		2				
075	8140R4-0	DG002G NAME PLATE		1				
076	8140R9-0	DG002G SERIAL NO.LABEL		1				
A01	783204-6	HEX. WRENCH 6		1				
A02	783207-0	HEX. WRENCH 10		1				
A03	783232-1	HEX. WRENCH 5		1				
A04	922453-2	HEX.SOCKET HEAD BOLT M8X30		2				

Please order the parts with part number.

Print Date 5/19/2023



МАГАЗИН МАЙСТОР
БАШ МАЙСТОР
ПРОФЕСИОНАЛНИ РЕЧЕННЯ