

NOTA:

Desde el número de serie 17030001, se han modificado las piezas nº 12,14,15,18

En caso de sustitución de cualquiera de ellas es necesario sustituir todas.

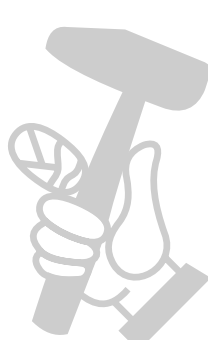
NOTE:

From serial number no. 17030001, the parts Nr.12,14,15, 18 have been modified.

In case of replacement of any of them, it is necessary to replace all.

Notiz:

Ab Seriennummer 17030001 haben sich die Teile Pos. 12, 14, 15, 18 geändert. Bitte dies bei der Reparatur beachten!



Item no.	Description	Article no.	Quantity
1	ROLL GROOVER 1-12" MOTOR 230V-50Hz.	1500001594	1
1	ROLL GROOVER 1-12" MOTOR 230V-60Hz.	1500001706	1
1	ROLL GROOVER 1-12" MOTOR 110V-50Hz.	1500001707	1
2	MOTOR HOUSING ROLL GROOVER 1-12"	1500001595	1
3	MOTOR FIXING SCREW ROLL GROOVER 1-12"	1500001596	4
4	MOTOR COVER SCREW M6x8 RO-GROOVER 1-12"	1500001597	4
5	RUBBER TRAY ROLL GROOVER 1-12"	1500001598	1
6	RUBBER TRAY SCREW M6x10 ROLL GROOVER 1-1	1500001599	6
7	SCREW M10X25 ROLL GROOVER 1-12"	1500001600	8
8	TRESTLE ROLL GROOVER 1-12"	1500001601	1
9	HEAD ROLL GROOVER 1-12"	1500001602	1
10	LEDS KIT ROLL GROOVER 1-12"	1500001603	2
11	GRILLE PROTECTION ROLL GROOVER 1-12"	1500001604	1
12	FIXING MAINSHAFT KIT ROLL GROOVER 1-12"	1500001708	1
14	BOTTON ROLLER 8-12" ROLL GROOVER 1-12"	1500001710	1
15	BOTTON ROLLER 1-1 1/2" ROLL GROOVER 1-12	1500001711	1
16	SCREW M10X25 ROLL GROOVER 1-12"	1500001600	4
17	CAP M10x1 ROLL GROOVER 1-12"	1500001610	1
18	BOTTON ROLLER 2-6" ROLL GROOVER 1-12"	1500001709	1
19	SET SLIDING ROLL GROOVER 1-12"	1500001612	2

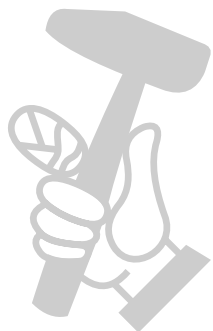
IMPORTANT!

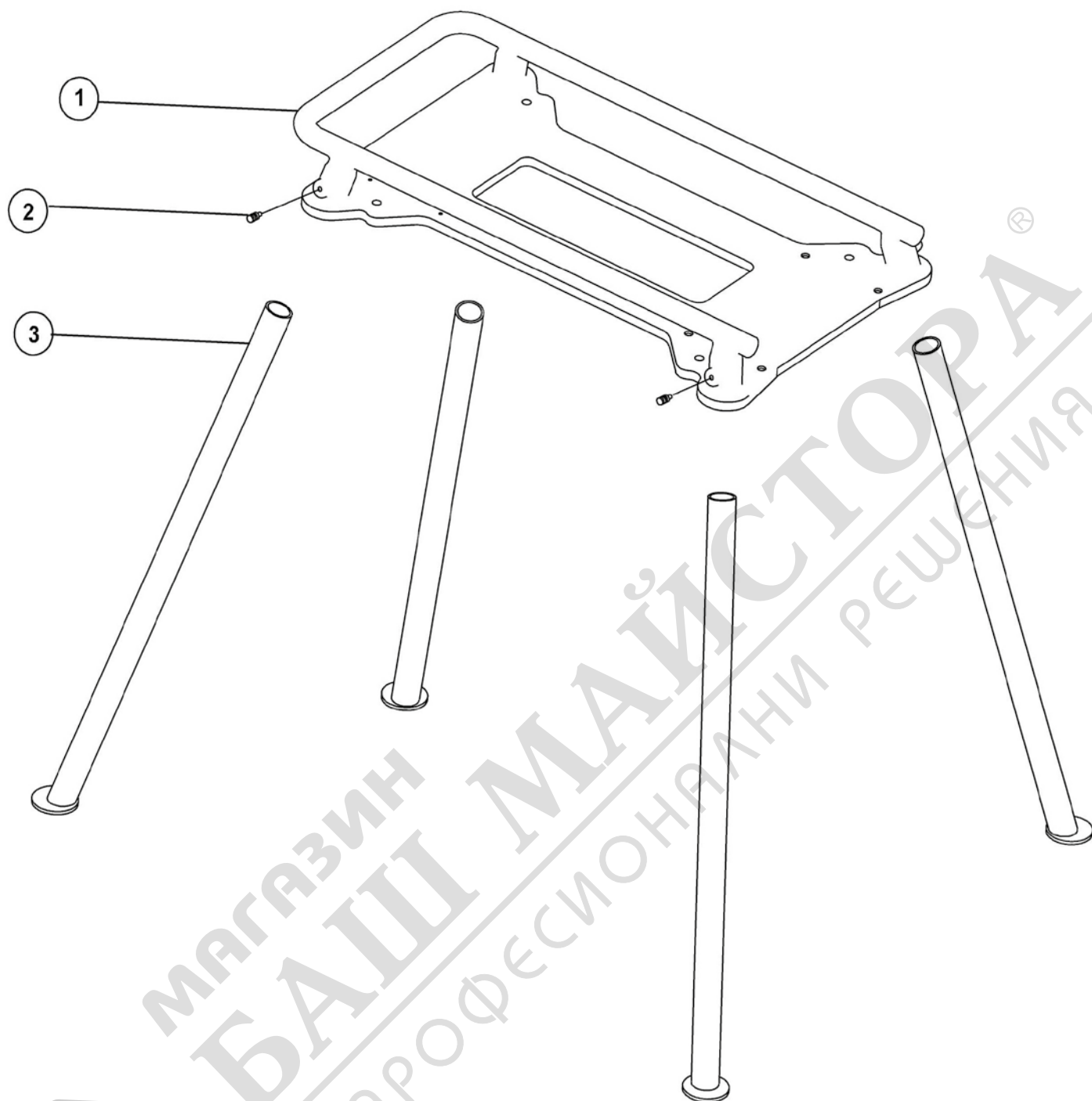
To assure safety and reliability, repairs, maintenance and adjustment must be performed by ROTHENBERGER Kelkheim or authorized Service-Centers. Always use Original-Service-Parts. Order your accessories and spare parts from your specialist retailer or using our Service After Sales hotline

Tel. +49 6195 - 800 **8200**

Fax: +49 6195 - 800 **7491**

✉ service@rothenberger.com





МАГАЗИН МАЙСТОРА
БАШ МАЙСТОРА
ПРОФЕСИОНАЛНИ РЕШЕНИЯ

Frame

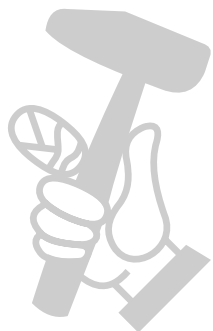
dated: 11/15

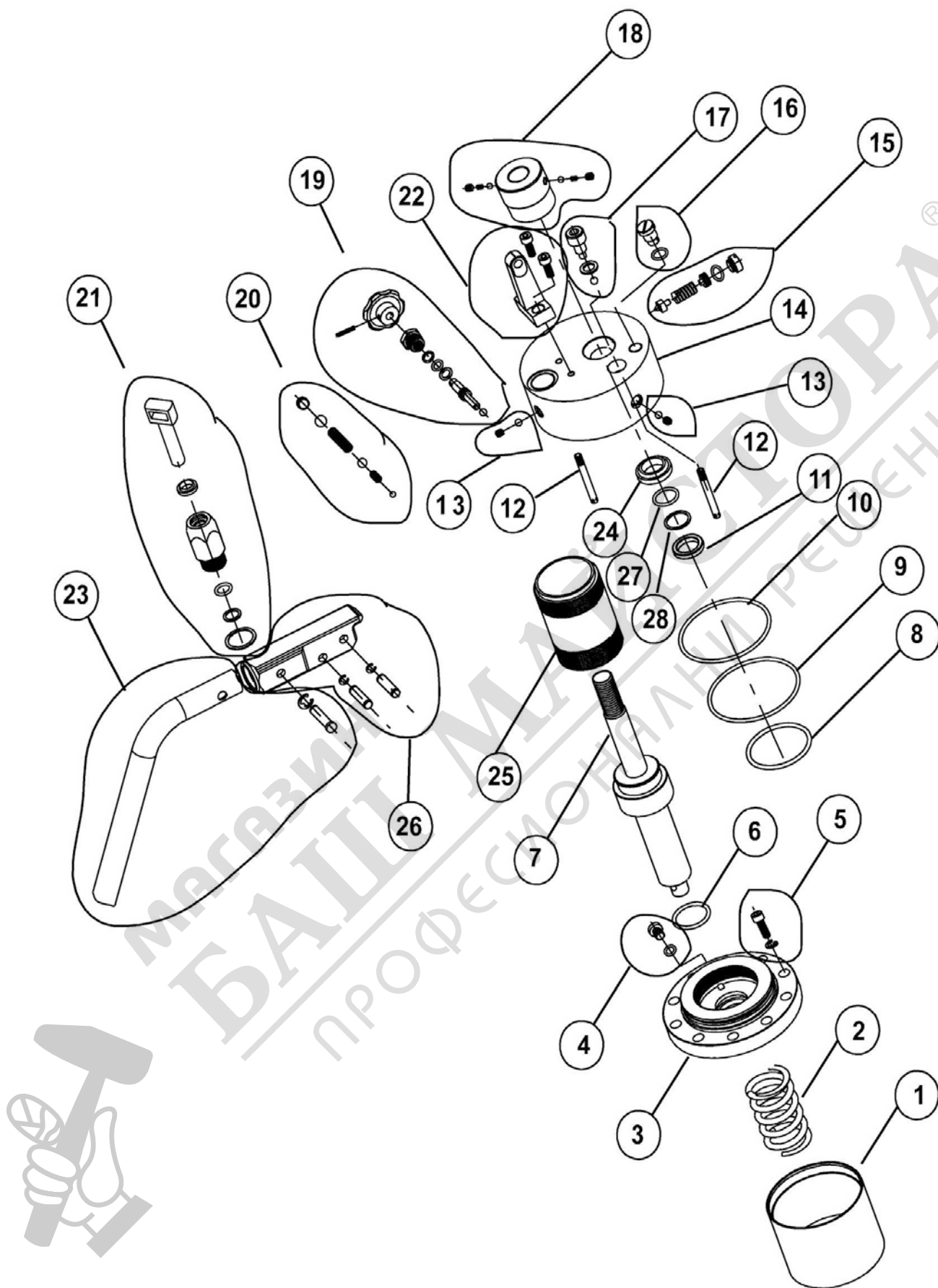
No. 1500001351 / 1500001352 / 1500001353

Item no.	Description	Article no.	Quantity
1	base	1500001613	1
2	screw M10x12	1500001614	4
3	foot	1500001615	4

IMPORTANT! To assure safety and reliability, repairs, maintenance and adjustment must be preformed by ROTHENBERGER Kelkheim or authorized Service-Centers. Always use Original-Service-Parts. Order your accessories and spare parts from your specialist retailer or using our Service After Sales hotline

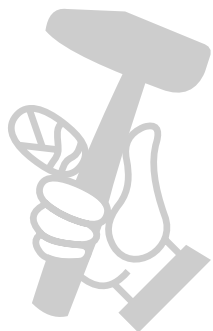
МАГАЗИН
БАШ МАЙСТОРА®
ПРОФЕСИОНАЛНИ РЕШЕНИЯ





Item no.	Description	Article no.	Quantity
1	oil tank	1500001616	1
2	cylinder spring	1500001617	1
3	cylinder base	1500001618	1
4	o-ring $\varnothing 10 \times 1,9$ +cap	1500001619	1
5	screw M10x35+washer	1500001620	1
6	o-ring $\varnothing 35 \times 3,1$	1500001621	1
7	limit piston	1500001622	1
8	o-ring $\varnothing 35 \times 3,1$	1500001623	1
9	o-ring $\varnothing 85 \times 3,1$	1500001625	1
10	o-ring $\varnothing 65 \times 3,5$	1500001626	1
11	y sealing $\varnothing 20 \times d28 \times 5$	1500001627	1
12	oil suckion pipe	1500001628	2
13	steel ball $\varnothing 6$ +plug 1/8-28	1500001629	2
14	pump body	1500001630	1
15	relief valve kit	1500001631	1
16	oil plug + o-ring $\varnothing 15 \times 1,9$	1500001632	1
17	plug+ball+copper washer $\varnothing 10$	1500001633	1
18	stop nut kit	1500001634	1
19	pressure relief handle kit	1500001635	1
20	return valve kit	1500001636	1
21	cylinder power kit	1500001637	1
22	support handle kit	1500001638	1
23	handle kit	1500001639	1
24	dust ring $\varnothing 32 \times 20 \times 5$	1500001640	1
25	cylinder sleeve	1500001641	1
26	handle seat kit	1500001642	1
27	o-ring $\varnothing 24 \times 2,4$	1500001643	1
28	washer	1500001644	1

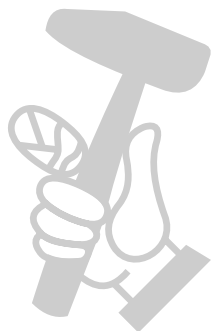
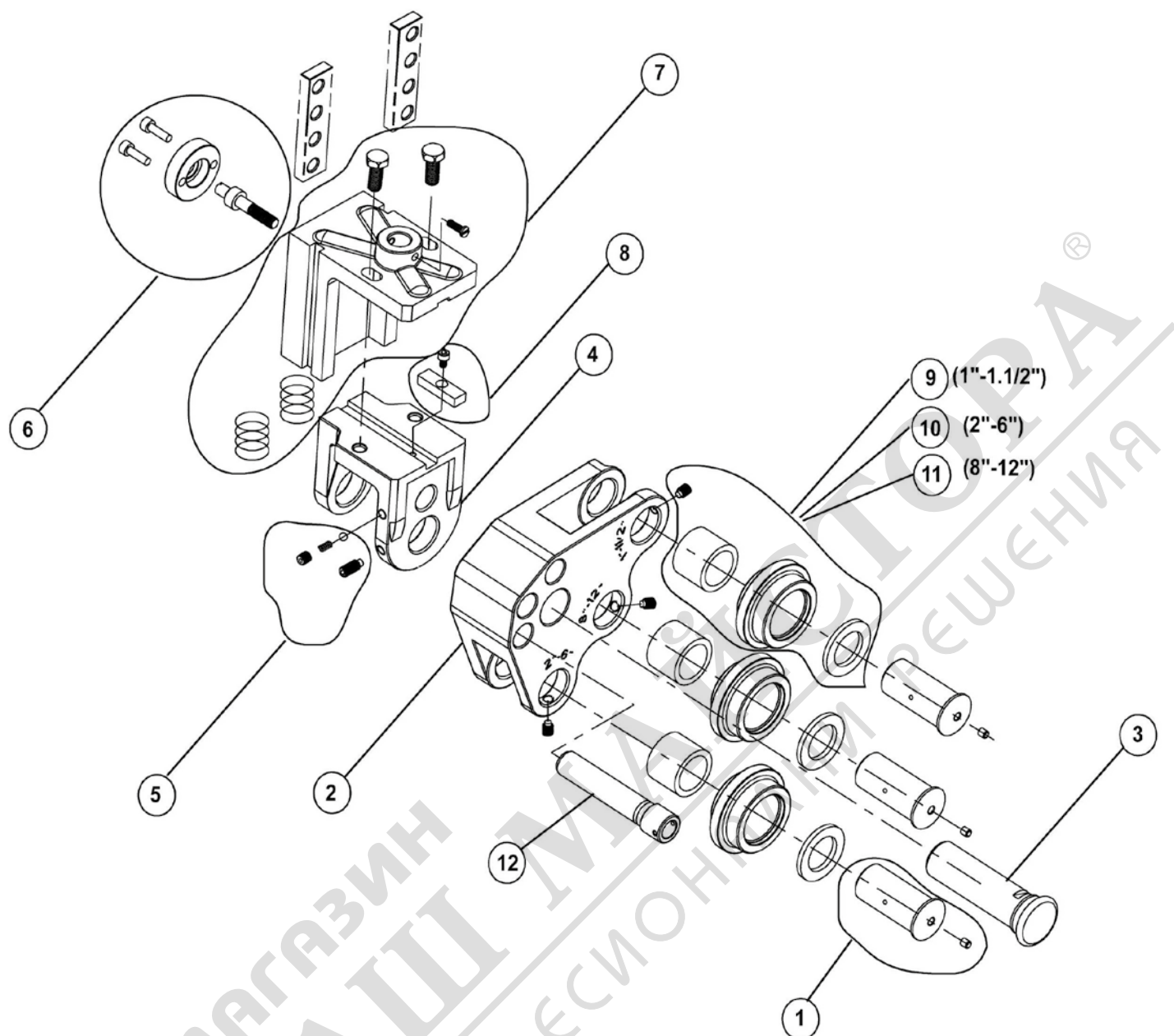
IMPORTANT! To assure safety and reliability, repairs, maintenance and adjustment must be preformed by ROTHENBERGER Kelkheim or authorized Service-Centers. Always use Original-Service-Parts. Order your accessories and spare parts from your specialist retailer or using our Service After Sales hotline



Rollers

dated: 12/16

No. 1500001351_1500001352_1500001353



Rollers

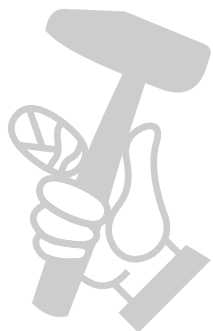
dated: 12/16

No. 1500001351_1500001352_1500001353

Item no.	Description	Article no.	Quantity
1	pinch roller shaft	1500001645	3
2	connector	1500001646	1
3	axis of rotation	1500001647	1
4	pinch roller frame	1500001648	1
5	connector fixing kit	1500001649	1
6	pinch roller frame fixing kit	1500001650	1
7	slider kit	1500001651	1
8	key a12x50+screw M5x12	1500001652	1
9	1-1 1/2" pinch top roller kit	1500001653	1
10	2-6" top roller kit	1500001654	1
11	8-12" top roller kit	1500001655	1
12	locating shaft	1500001656	1

IMPORTANT! To assure safety and reliability, repairs, maintenance and adjustment must be preformed by ROTHENBERGER Kelkheim or authorized Service-Centers. Always use Original-Service-Parts. Order your accessories and spare parts from your specialist retailer or using our Service After Sales hotline

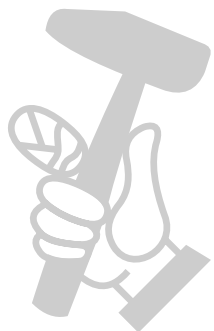
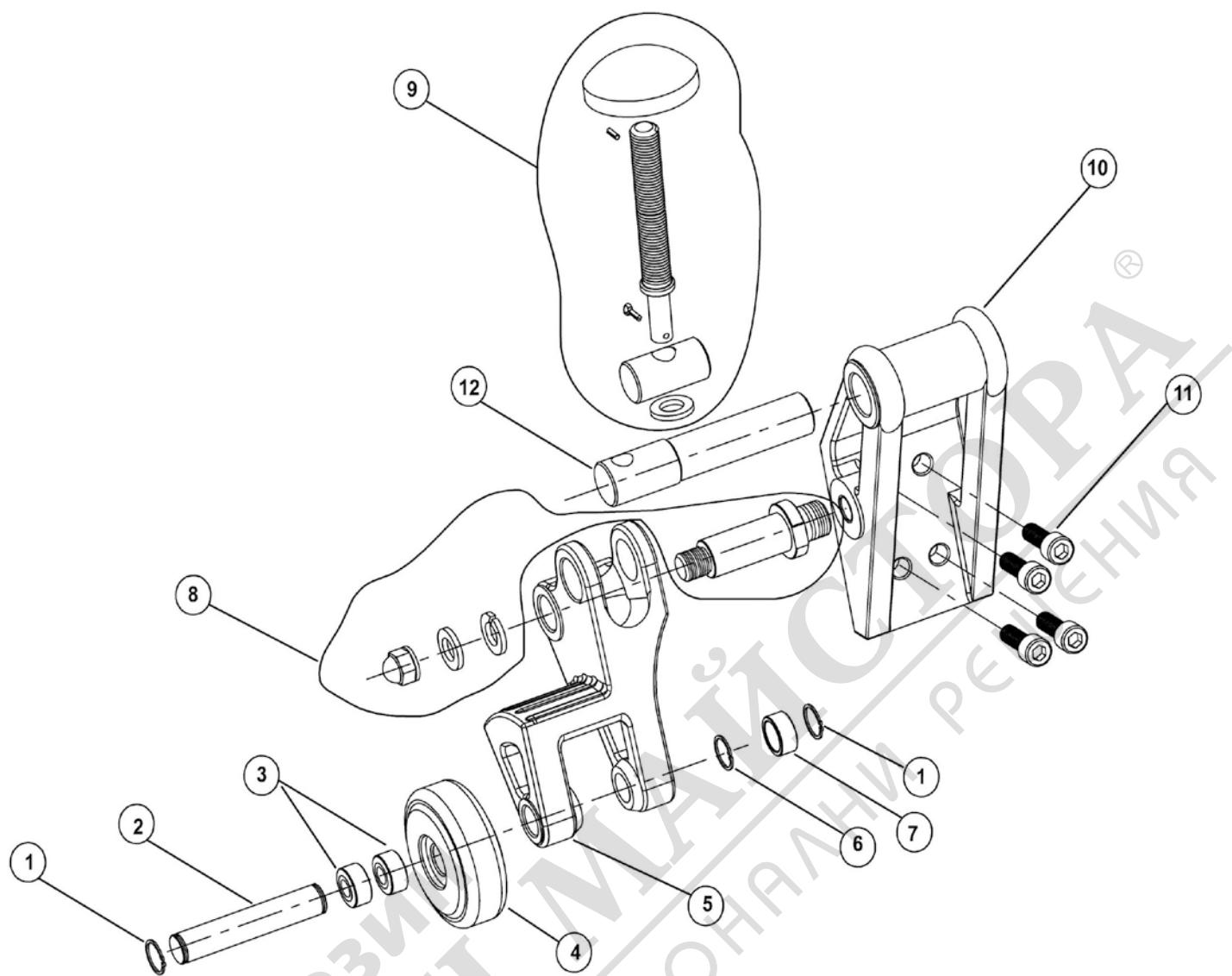
МАГАЗИН МАЙСТОРА
БАШ МАЙСТОРА
ПРОФЕСИОНАЛНИ РЕШЕНИЯ



Side frame

No. 1500001351 / 1500001352 / 1500001353

dated: 11/15



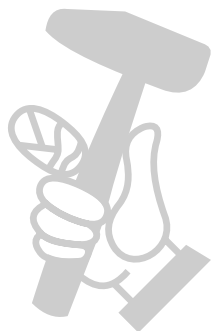
Side frame

dated: 11/15

No. 1500001351 / 1500001352 / 1500001353

Item no.	Description	Article no.	Quantity
1	circlip for shaft D17	1500001657	2
2	shaft	1500001658	1
3	bearing 6003	1500001659	2
4	guide wheel	1500001660	1
5	wheel frame(right)	1500001661	1
6	circlip d35	1500001662	1
7	wheel bush	1500001663	1
8	shaft wheel frame kit	1500001664	1
9	axis of rotation kit	1500001665	1
10	guide roller base(right)	1500001666	1
11	screw M10x25	1500001667	4
12	supporting axle	1500001668	1

IMPORTANT! To assure safety and reliability, repairs, maintenance and adjustment must be preformed by ROTHENBERGER Kelkheim or authorized Service-Centers. Always use Original-Service-Parts. Order your accessories and spare parts from your specialist retailer or using our Service After Sales hotline

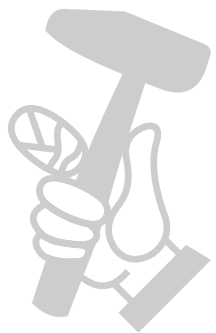
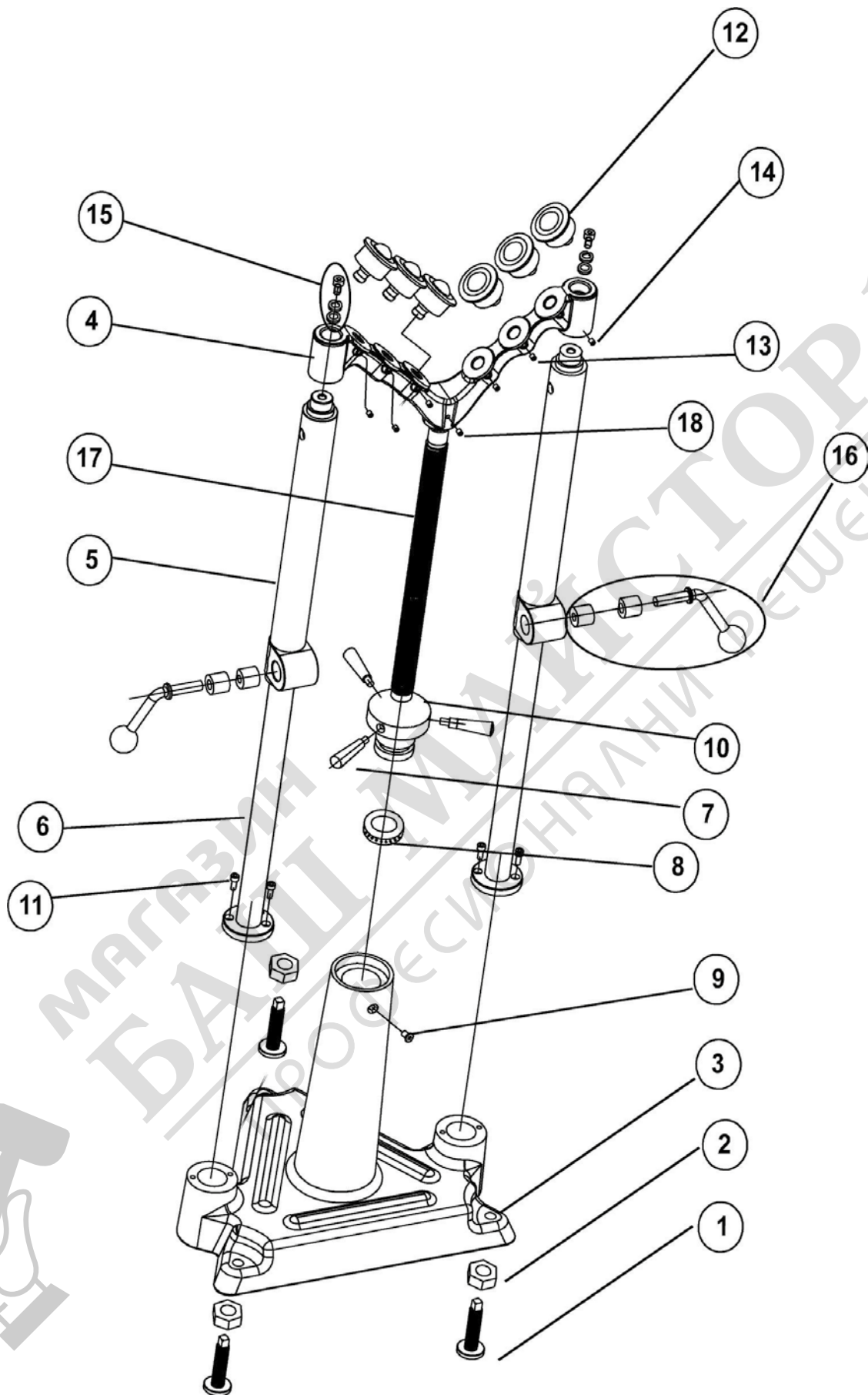


МАГАЗИН МАЙСТОРА
БАШ МАЙСТОРА
ПРОФЕСИОНАЛНИ РЕШЕНИЯ

Leg support

No. 1500001351 / 1500001352 / 1500001353

dated: 11/15



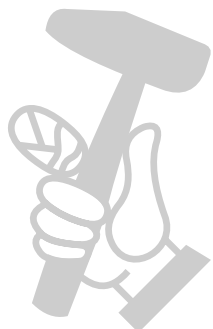
Leg support

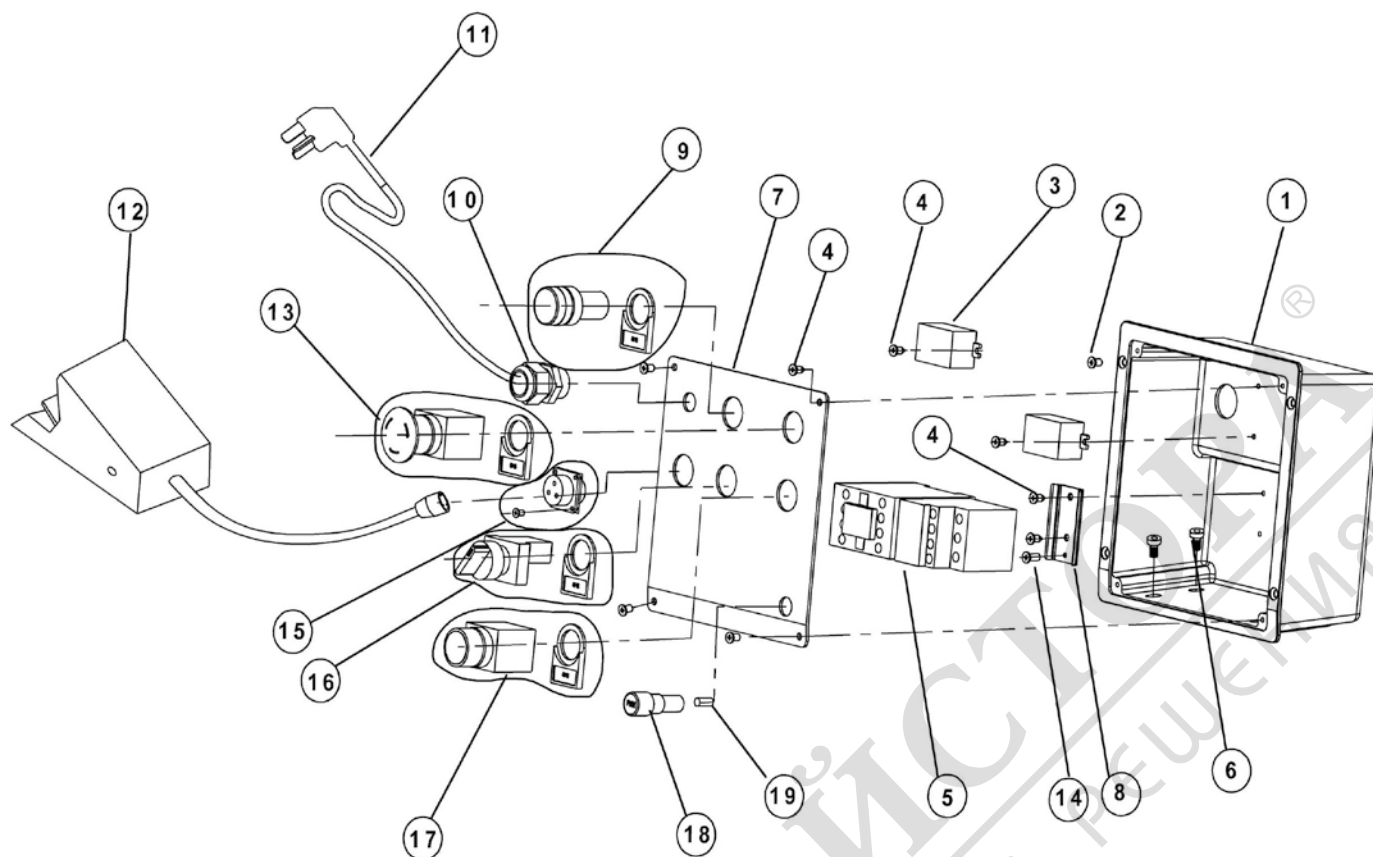
dated: 11/15

No. 1500001351 / 1500001352 / 1500001353

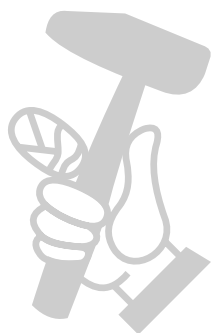
Item no.	Description	Article no.	Quantity
1	adjusting bolt	1500001669	2
2	nut M16	1500001670	2
3	support tube base	1500001671	1
4	y type ball holder	1500001672	1
5	tube exterior	1500001673	2
6	inner tube	1500001674	2
7	handle	1500001675	3
8	bearing 51110	1500001676	1
9	screw M8x16	1500001677	1
10	screw nut	1500001678	1
11	hexagonal screw M10x12	1500001679	4
12	ball sp-30a	1500001680	6
13	screw M6x8	1500001681	6
14	screw M5x8	1500001682	1
15	screw M10x20+s.washer+f.washer	1500001683	2
16	brake kit	1500001684	2
17	rod of support tube	1500001685	1
18	screw M8x15	1500001686	1

IMPORTANT! To assure safety and reliability, repairs, maintenance and adjustment must be performed by ROTHENBERGER Kelkheim or authorized Service-Centers. Always use Original-Service-Parts. Order your accessories and spare parts from your specialist retailer or using our Service After Sales hotline





МАГАЗИН
БАШ МАЙСТЕР
ПРОФЕСИОНАЛНИ РЕШЕНИЯ



Item no.	Description	Article no.	Quantity
1	electric box	1500001687	1
2	screw M4x6	1500001688	4
3	led transformer	1500001689	2
4	screw 4,2x8	1500001690	8
5	head protector+ac contactor	1500001691	1
6	screw M6x16	762006500	2
7	switch plane	1500001693	1
8	frame of ac contactor	1500001694	1
9	indicator light+sticker	1500001695	1
10	PG11 joint	1500001696	1
11	3x1,5mm plug	1500001697	1
12	foot switch	1500001698	1
13	emergency stop+sticker	1500001699	1
14	screw M4x16	H88509	1
15	air outlet+screw M3x8	1500001701	1
16	turning switch+sticker	1500001702	1
17	start switch+sticker	1500001703	1
18	fuse base	1500001704	1
19	fuse 1A	1500001705	1

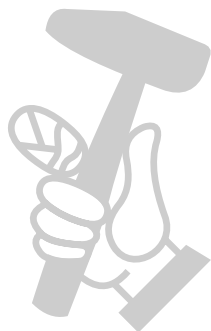
IMPORTANT!

To assure safety and reliability, repairs, maintenance and adjustment must be performed by ROTHENBERGER Kelkheim or authorized Service-Centers. Always use Original-Service-Parts. Order your accessories and spare parts from your specialist retailer or using RoService+ online.

Tel: +49 6195 - 800 **8200**

Fax: +49 6195 - 800 **7491**

 service@rothenberger.com



МАГАЗИН МАЙСТРОМ
 БАШ МАЙСТРОМ
 ПРОФЕСИОНАЛНИ РЕШЕНИЯ