

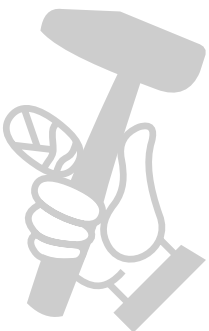


**Einhell**  
**EXPERT**

**TE-JS 100**®

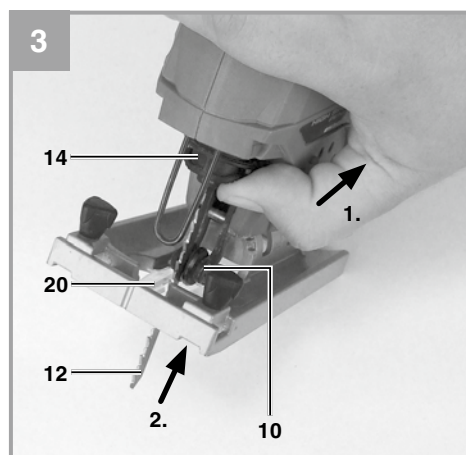
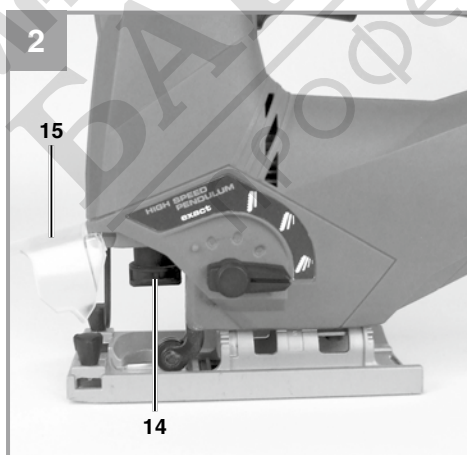
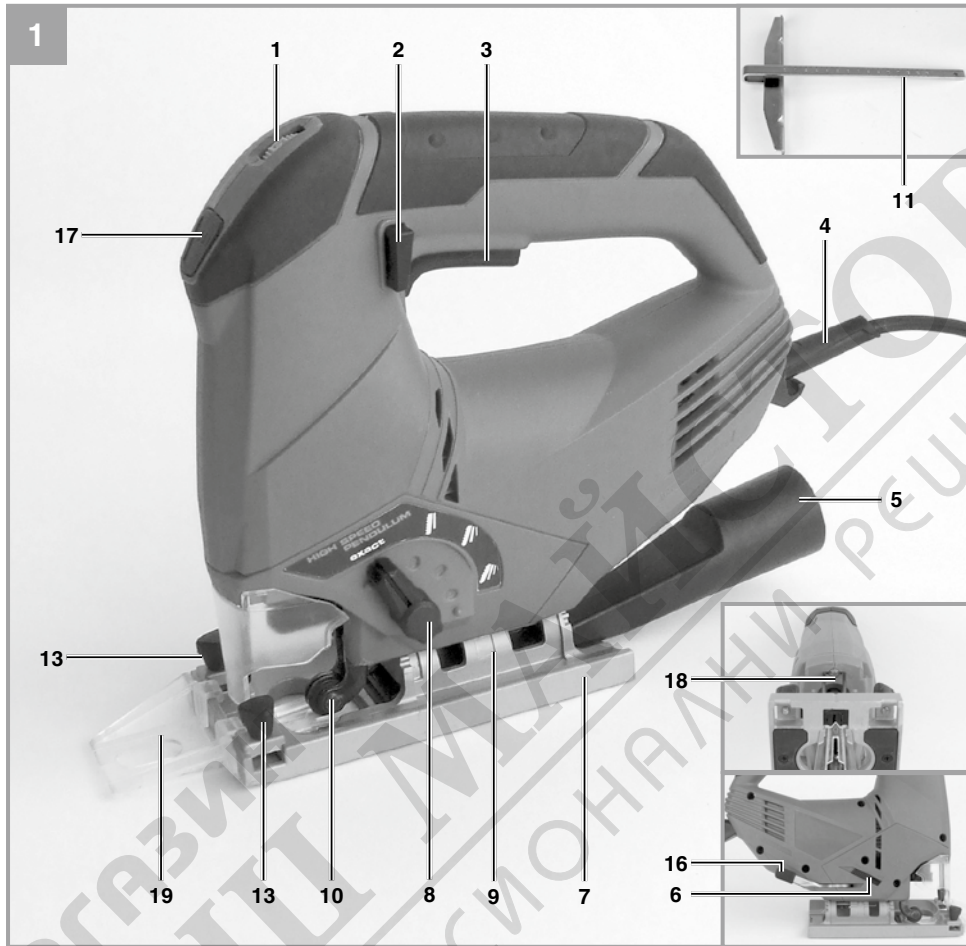
- D Originalbetriebsanleitung  
Stichsäge
- GB Original operating instructions  
Jigsaw
- F Mode d'emploi d'origine  
Scie à guichet
- I Istruzioni per l'uso originali  
Seghetto alternativo
- DK/ Original betjeningsvejledning  
N Stiksav
- S Original-bruksanvisning  
Sticksåg
- HR/ Originalne upute za uporabu  
BIH Ubodna pila
- RS Originalna uputstva za upotrebu  
Ubodna testera

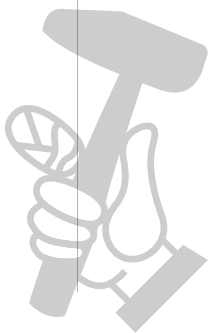
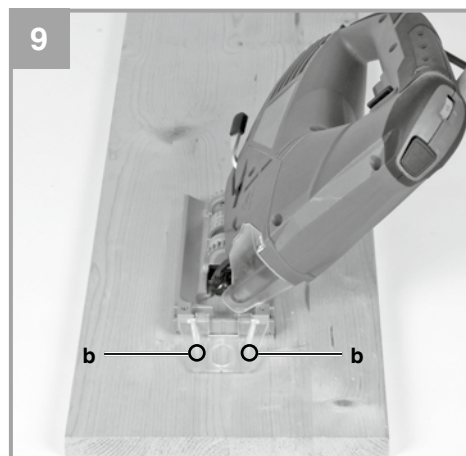
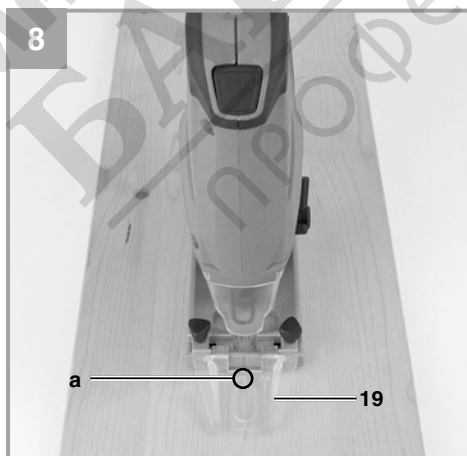
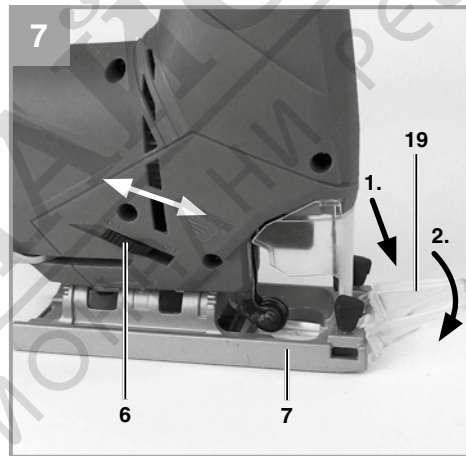
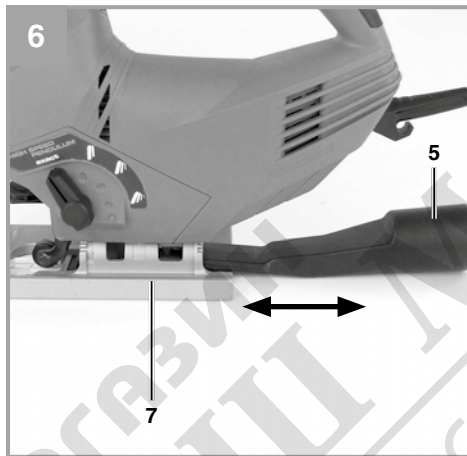
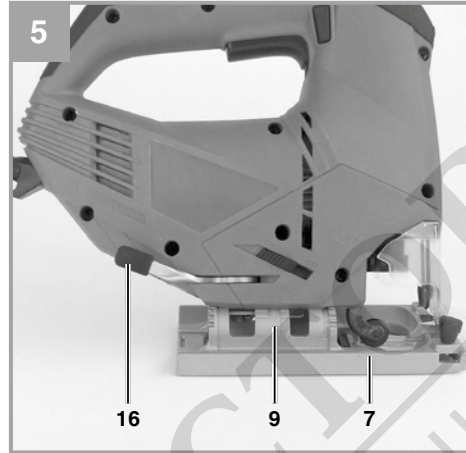
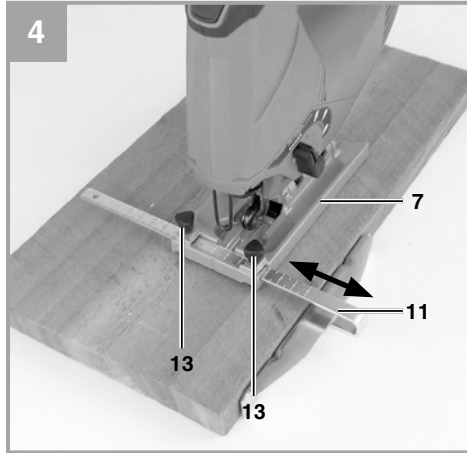
МАГАЗИН МАЙСТОРА  
БАШ МАЙСТОРА  
ПРОФЕСИОНАЛНИ РЕШЕНИЯ

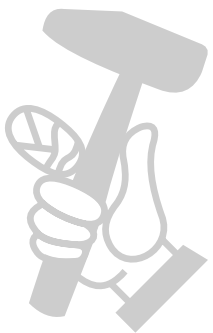
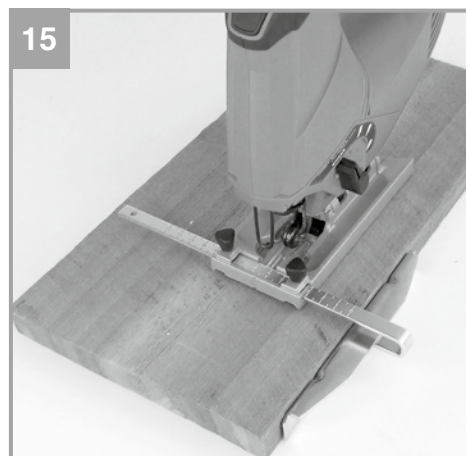
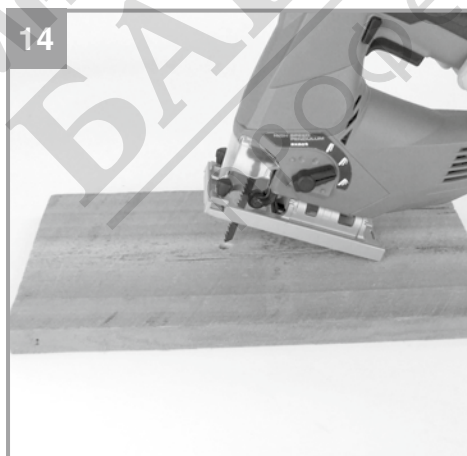
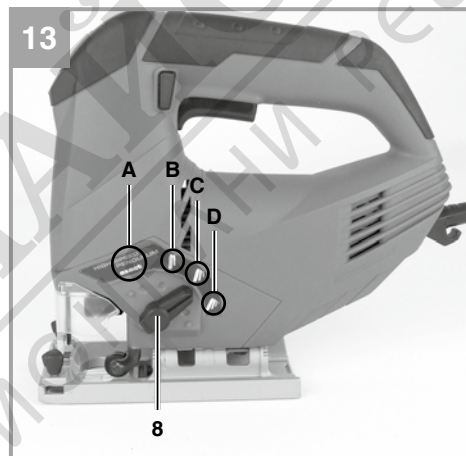
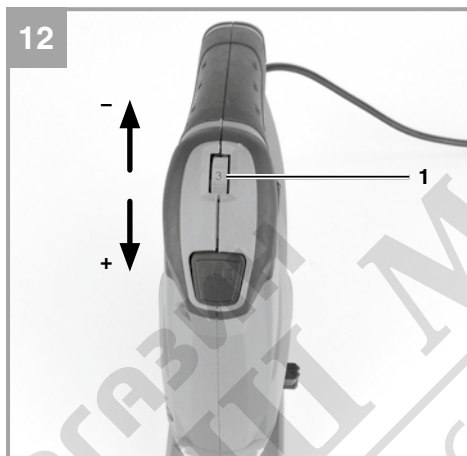
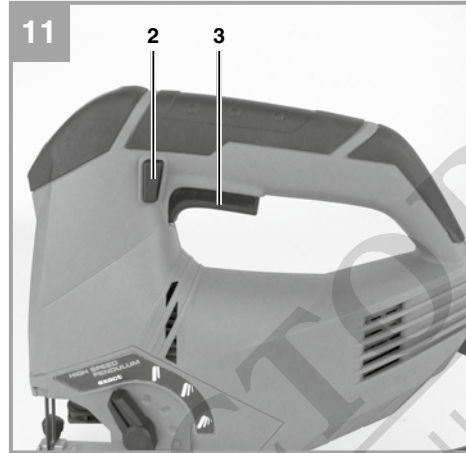
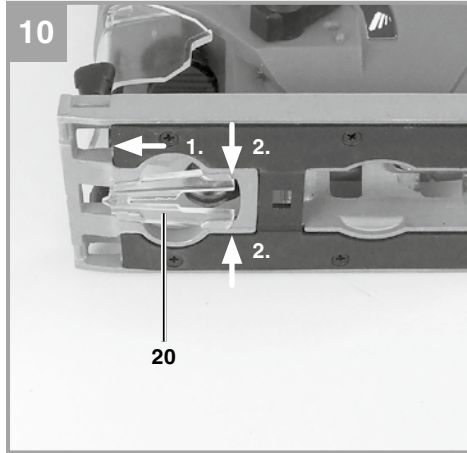


Art.-Nr.: 43.211.60

I.-Nr.: 11011







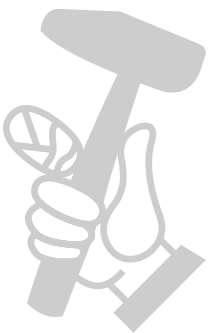


GB

## Table of contents

1. Safety regulations
2. Layout and items supplied
3. Proper use
4. Technical data
5. Before starting the equipment
6. Operation
7. Replacing the power cable
8. Cleaning, maintenance and ordering of spare parts
9. Disposal and recycling
10. Storage

МАГАЗИН МАЙСТОРА®  
БАШ МАЙСТОРА®  
ПРОФЕСИОНАЛНИ РЕШЕНИЯ





GB



**Caution** - Read the operating instructions to reduce the risk of injury



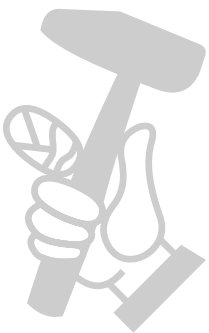
**Wear ear-muffs.** The impact of noise can cause damage to hearing.



**Wear a breathing mask.** Dust which is injurious to health can be generated when working on wood and other materials. Never use the device to work on any materials containing asbestos!



**Wear safety goggles.** Sparks generated during working or splinters, chips and dust emitted by the device can cause loss of sight.



МАГАЗИН МАЙСТОРА®  
БАШ МАЙСТОРА  
ПРОФЕСИОНАЛНИ РЕШЕНИЯ



### **⚠ Important!**

When using the equipment, a few safety precautions must be observed to avoid injuries and damage. Please read the complete operating instructions and safety regulations with due care. Keep this manual in a safe place, so that the information is available at all times. If you give the equipment to any other person, hand over these operating instructions and safety regulations as well. We cannot accept any liability for damage or accidents which arise due to a failure to follow these instructions and the safety instructions.

## **1. Safety regulations**

The corresponding safety information can be found in the enclosed booklet.

### **⚠ Caution!**

#### **Read all safety regulations and instructions.**

Any errors made in following the safety regulations and instructions may result in an electric shock, fire and/or serious injury.

**Keep all safety regulations and instructions in a safe place for future use.**

## **2. Layout and items supplied**

### **2.1 Layout (Fig. 1-3)**

1. Speed controller
2. Locking button
3. On/Off switch
4. Power cable
5. Adapter for dust extraction system
6. Switch for dust-blower function
7. Adjustable soleplate
8. Selector switch for pendulum action
9. Dial scale for soleplate
10. Guide roller
11. Parallel stop
12. Saw blade
13. Locking screws for parallel stop
14. Blade holder
15. Safety guard
16. Locking lever for soleplate
17. On/Off switch for LED lamp
18. LED lamp
19. Line guide
20. Splinter guard

### **2.2 Items supplied**

Please check that the article is complete as specified in the scope of delivery. If parts are missing, please contact our service center or the nearest branch of the DIY store where you made your purchase at the latest within 5 work days after purchasing the article and upon presentation of a valid bill of purchase. Also, refer to the warranty table in the warranty provisions at the end of the operating instructions.

- Open the packaging and take out the equipment with care.
- Remove the packaging material and any packaging and/or transportation braces (if available).
- Check to see if all items are supplied.
- Inspect the equipment and accessories for transport damage.
- If possible, please keep the packaging until the end of the guarantee period.

### **Important!**

**The equipment and packaging material are not toys. Do not let children play with plastic bags, foils or small parts. There is a danger of swallowing or suffocating!**

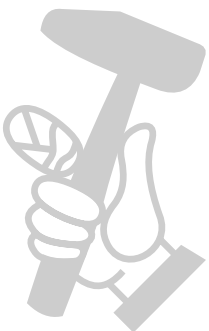
- Jigsaw
- Parallel stop
- Adapter for dust extraction system
- Line guide
- Splinter guard
- Saw blade for wood
- Original operating instructions
- Safety instructions

## **3. Proper use**

The jigsaw is designed for sawing wood, metals, non-ferrous metals and plastics using the appropriate saw blade.

The equipment is to be used only for its prescribed purpose. Any other use is deemed to be a case of misuse. The user / operator and not the manufacturer will be liable for any damage or injuries of any kind caused as a result of this.

Please note that our equipment has not been designed for use in commercial, trade or industrial applications. Our warranty will be voided if the machine is used in commercial, trade or industrial businesses or for equivalent purposes.



#### 4. Technical data

Mains voltage: .....	230 V ~ 50 Hz
Power consumption: .....	750 W
Stroke speed: .....	800 - 3,000 min <sup>-1</sup>
Stroke height: .....	23 mm
Cutting depth, wood: .....	100 mm
Cutting depth, plastic: .....	12 mm
Cutting depth, iron/Aluminium: .....	10 mm
Miter cut: .....	up to 45° (left and right)
Protection class: .....	II / □
Weight: .....	2.4 kg

#### Sound and vibration

Sound and vibration values were measured in accordance with EN 60745.

L <sub>pA</sub> sound pressure level .....	87,7 dB(A)
K <sub>pA</sub> uncertainty .....	3 dB
L <sub>WA</sub> sound power level .....	98,7 dB(A)
K <sub>WA</sub> uncertainty .....	3 dB

#### Wear ear-muffs.

The impact of noise can cause damage to hearing.

Total vibration values (vector sum of three directions) determined in accordance with EN 60745.

#### Cutting wood

Vibration emission value  $a_h = 7,423 \text{ m/s}^2$   
K uncertainty = 1.5 m/s<sup>2</sup>

#### Cutting sheet metal

Vibration emission value  $a_h = 8,512 \text{ m/s}^2$   
K uncertainty = 1.5 m/s<sup>2</sup>

#### Warning!

The specified vibration value was established in accordance with a standardized testing method. It may change according to how the electric equipment is used and may exceed the specified value in exceptional circumstances.

The specified vibration value can be used to compare the equipment with other electric power tools.

The specified vibration value can be used for initial assessment of a harmful effect.

#### Keep the noise emissions and vibrations to a minimum.

- Only use appliances which are in perfect working order.
- Service and clean the appliance regularly.
- Adapt your working style to suit the appliance.
- Do not overload the appliance.
- Have the appliance serviced whenever necessary.
- Switch the appliance off when it is not in use.
- Wear protective gloves.

#### Residual risks

**Even if you use this electric power tool in accordance with instructions, certain residual risks cannot be ruled out. The following hazards may arise in connection with the equipment's construction and layout:**

1. Lung damage if no suitable protective dust mask is used.
2. Damage to hearing if no suitable ear protection is used.
3. Health damage caused by hand-arm vibrations if the equipment is used over a prolonged period or is not properly guided and maintained.

#### 5. Before starting the equipment

Before you connect the equipment to the mains supply make sure that the data on the rating plate are identical to the mains data.

**Always pull the power plug before making adjustments to the equipment.**

##### 5.1 Safety guard (Fig. 2/Item 15)

- The safety guard (15) protects the user from accidentally touching the saw blade (12) but still gives you an unobstructed view of the cutting area.
- The safety guard (15) must always be fitted and in position before starting any sawing work.
- The safety guard (15) can be pulled up as shown in Fig. 2.

## 5.2 Changing the saw blade (Figs. 3/Item 12)

### ⚠ Important.

- You can fit or replace saw blades without using any other tools.
- Pull out the mains plug before you fit or replace a saw blade.
- Set the selector switch for pendulum action (8) to position D (see Fig. 13).
- The teeth of the saw blade are very sharp!
- Remove the safety guard (15).
- Press the blade holder (14) and insert the saw blade (12) into the blade holder (14) as far as the stop (Fig. 3). The teeth on the saw blade must be pointing forwards.
- Allow the blade holder (14) to slide back to starting position. The saw blade (12) must sit in the guide roller (10).
- Check that the saw blade (12) is securely mounted in the blade holder.
- To remove the saw blade, follow the instructions above in reverse order.

## 5.3 Installing the parallel stop (Fig. 4/Item 11)

- The parallel stop (11) enables you to saw parallel cuts.
- Undo the two locking screws (13) on the soleplate (7).
- Now slide the parallel stop into the guides on the soleplate (7). You can fit the parallel stop (11) on either the left or right of the equipment.
- The guide strip must always face downwards. Set the required distance using the measurement scale on the parallel stop (11) and tighten the locking screws (13) again.

## 5.4 Setting the soleplate for miter cuts (Fig. 5)

- Undo the locking lever (16) on the soleplate.
- Pull the sole plate (7) backwards slightly. The soleplate can now be swiveled a maximum 45° to the left and right.
- If the soleplate (7) is pushed back to the front again it will only function in the locking positions at 0°, 15°, 30° and 45°, which are marked on the graduated scale for the soleplate (9). Move the soleplate into the required position and refasten the locking lever (16).
- However, the soleplate (7) is also easily set to another angle. To do so, slide the soleplate (7) backwards, set the desired angle and refasten the locking lever (16).

**Important.** For miter cuts you must remove the locking screws for the parallel stop (13) and the splinter guard (20).

## 5.5 Adapter for dust extraction system (Fig. 6/Item 5)

- Connect your jigsaw to a vacuum cleaner using the adaptor for dust extraction (5). This will provide excellent dust extraction on the work piece. The benefits are that you will protect both the equipment and your own health. Your work area will also be cleaner and safer.
- Dust created when working may be dangerous. Refer to the section entitled "Safety instructions".
- Fit the adapter (5) as shown in Fig. 6. The adapter (5) must audibly engage to ensure that it is secure in the soleplate (7). The adapter for chip extraction (5) cannot be used for miter cuts.
- Fit the vacuum tube of the vacuum cleaner onto the adaptor opening (5). Check that the connections are air-tight.

## 5.6 Line guide (Fig. 7-9/Item 19)

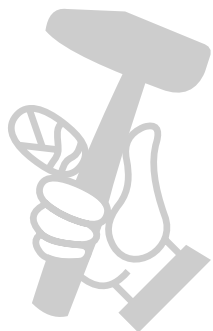
Using the line guide (19) you can carry out exact cuts following cutting lines marked on the work-piece. Fit the line guide by mounting it on the top of the soleplate (7) and letting it lock in place at the bottom, as shown in Fig. 7. Use the mark (a) for the 0° angle setting (Fig. 8) and the mark (b) for the 45° angle setting (Fig. 9). See point 5.4 for information about the angle setting.

**Important. Carry out a trial cuts in a piece of waste wood.**

## 5.7 Splinter guard (Fig. 10/Item 20)

The splinter guard ensures that the material you want to cut does not splinter or crack during sawing. Insert it into the soleplate from underneath as shown in Fig. 10.

**Important. The splinter guard (20) can be used only for 0° cuts and must be removed for miter cuts up to 45°!**





## 6. Operation

### 6.1 On/Off switch (Fig. 11/Item 3)

#### To switch on:

Press the On/Off switch (3)

#### To switch off:

Release the On/Off switch (3)

### 6.2 Locking button (Fig. 11/Item 3)

You can lock the On/Off switch (3) using the locking button (2) when the equipment is in operation. To lock the On/Off switch (3), press the On/Off switch and push the locking button (2) to the left or right. To switch off the equipment, press the On/Off switch (3) briefly.

### 6.3 Electric speed selector (Fig. 12/Item 1)

You can pre-select the required speed with the speed selector. Turn the speed selector in PLUS direction to increase the speed and turn the speed selector in MINUS direction to reduce the speed. The appropriate stroke speed depends on the material you want to cut and on the working conditions. The general rules for cutting speeds in metal also apply.

While you can generally use a higher speed with fine saw blades, lower speeds are required for coarse saw blades.

**Position 1-2** = low stroke speed (for steel)

**Position 3-4** = medium stroke speed (for steel, soft metal, plastic)

**Position 5-6** = high stroke speed (for softwood, hardwood, soft metal, plastic)

### 6.4 Setting the pendulum action (Fig. 13/Item 8)

- The strength of the pendulum action of the saw blade (12) can be adjusted using the selector switch for pendulum action (8).
- You can adjust the cutting speed, cutting performance and appearance of the cut to the work piece you want to saw.

Set the selector switch for pendulum action (8) to one of the following positions:

**Position A** = no pendulum action

**Material:** Rubber, ceramic, aluminium, steel

**Please note:** For fine clean cuts, thin materials (e.g. sheet steel) and hard materials.

**Position B** = small pendulum action

**Material:** Plastic, wood, aluminium

**Please note:** For hard materials

**Position C** = medium pendulum action

**Material:** Wood

**Position D** = large pendulum action

**Material:** Wood

**Please note:** For soft materials and sawing along the grain

The best combination of speed and pendulum action depends on the material you want to saw. We recommend you to make a trial cut on a waste piece in order to check the ideal settings.

### 6.5 Dust-blower function (Fig. 7 / Item 6)

A current of air can be activated to keep the cutting line free of dust and chips.

- To activate, slide the switch for the dust-blower function (6) to the back.
- To deactivate, slide the switch for the dust-blower function (6) back to the front.

### 6.6 Making cuts

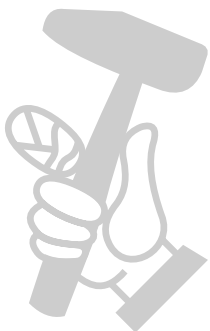
- Ensure that the On/Off switch (3) is not depressed. Only then should you connect the mains plug to a suitable socket.
- Do not switch on the jigsaw until you have fitted a saw blade.
- Use only saw blades that are in perfect condition. Replace blunt, bent or cracked saw blades immediately.
- Place the saw foot flat on the work piece you want to saw. Switch on the jigsaw.
- Allow the saw blade to accelerate until it reaches full speed. Then slowly move the saw blade along the cutting line. Exert only gentle pressure on the saw blade as you do so.
- When cutting metal, apply a suitable coolant along the line you want to cut.

### 6.7 Sawing out sections (Fig. 14)

Drill a 10 mm hole in the section you want to saw out. Insert the saw blade into this hole and start to saw out the required section.

### 6.8 Making parallel cuts

- Mount the parallel stop and adjust as required (see section 5.3).
- Observe the instructions in section 6.6.
- Cut as shown in Fig. 15.



### 6.9 Miter cuts (Fig. 9)

- Set the angle on the soleplate (see section 5.4).
- Observe the instructions in section 6.6.
- Cut as shown in Fig. 9

### 6.10 LED lamp (Fig. 1/Item 18)

The LED lamp (18) can be used in poor lighting conditions to additionally illuminate the cutting position. Press the switch (17) to switch on. To switch off, press the switch (17) again.

## 7. Replacing the power cable

If the power cable for this equipment is damaged, it must be replaced by a special power cable which is available from the manufacturer or its after-sales service.

## 8. Cleaning, maintenance and ordering of spare parts

Always pull out the mains power plug before starting any cleaning work.

### 8.1 Cleaning

- Keep all safety devices, air vents and the motor housing free of dirt and dust as far as possible. Wipe the equipment with a clean cloth or blow it with compressed air at low pressure.
- We recommend that you clean the device immediately each time you have finished using it.
- Clean the equipment regularly with a moist cloth and some soft soap. Do not use cleaning agents or solvents; these could attack the plastic parts of the equipment. Ensure that no water can seep into the device. The ingress of water into an electric tool increases the risk of an electric shock.

### 8.2 Carbon brushes

In case of excessive sparking, have the carbon brushes checked only by a qualified electrician. Important! The carbon brushes should not be replaced by anyone but a qualified electrician.

### 8.3 Maintenance

There are no parts inside the equipment which require additional maintenance.

### 8.4 Ordering replacement parts:

Please quote the following data when ordering replacement parts:

- Type of machine
- Article number of the machine
- Identification number of the machine
- Replacement part number of the part required

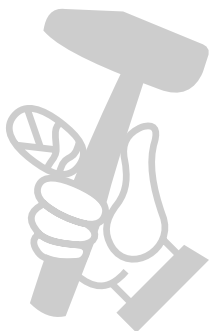
For our latest prices and information please go to [www.isc-gmbh.info](http://www.isc-gmbh.info)

## 9. Disposal and recycling

The equipment is supplied in packaging to prevent it from being damaged in transit. The raw materials in this packaging can be reused or recycled. The equipment and its accessories are made of various types of material, such as metal and plastic. Never place defective equipment in your household refuse. The equipment should be taken to a suitable collection center for proper disposal. If you do not know the whereabouts of such a collection point, you should ask in your local council offices.

## 10. Storage

Store the equipment and accessories out of children's reach in a dark and dry place at above freezing temperature. The ideal storage temperature is between 5 and 30 °C. Store the electric tool in its original packaging.





GB



For EU countries only

Never place any electric power tools in your household refuse.

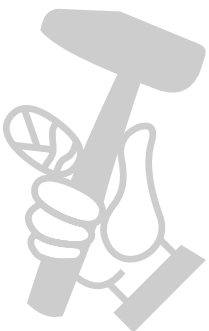
To comply with European Directive 2002/96/EC concerning old electric and electronic equipment and its implementation in national laws, old electric power tools have to be separated from other waste and disposed of in an environment-friendly fashion, e.g. by taking to a recycling depot.

Recycling alternative to the return request:

As an alternative to returning the equipment to the manufacturer, the owner of the electrical equipment must make sure that the equipment is properly disposed of if he no longer wants to keep the equipment. The old equipment can be returned to a suitable collection point that will dispose of the equipment in accordance with the national recycling and waste disposal regulations. This does not apply to any accessories or aids without electrical components supplied with the old equipment.

The reprinting or reproduction by any other means, in whole or in part, of documentation and papers accompanying products is permitted only with the express consent of the iSC GmbH.

Subject to technical changes





GB

## Warranty provisions

iSC GmbH or the DIY store where you made your purchase guarantees the repair of defects or replacement of the equipment in accordance with the overview below. Statutory guarantee claims are unaffected.

Category	Example	Warranty
Defect with regard to material or construction		24 months
Wear parts*	Carbon brushes, Guide roller	6 months
Consumables*	Saw blade	Warranty only in case of an immediate defect (24 hours after purchase / date on the bill)
Missing parts		5 work days

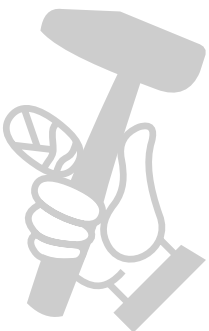
\* Not necessarily included in the scope of delivery!

For consumables, wear parts and missing parts iSC GmbH guarantees the correction of defects or a new delivery only if the defect is reported within 24 hours (consumables), 5 work days (missing parts) or 6 months (wear parts) after purchase and the purchase date is verified with the bill.

In case of defects concerning the material or construction, we kindly request you to submit the equipment together with the fully completed warranty card supplied with the equipment. It is important that you enter an exact description of the defect.

To do so, answer the following questions:

- Did the equipment work at all or was it defective from the beginning?
- Did you notice anything (symptom or defect) prior to the failure?
- What malfunction does the equipment have in your opinion (main symptom)?  
Describe this malfunction.



## Warranty certificate

Dear Customer,

All of our products undergo strict quality checks to ensure that they reach you in perfect condition. In the unlikely event that your device develops a fault, please contact our service department at the address shown on this guarantee card. Of course, if you would prefer to call us then we are also happy to offer our assistance under the service number printed below. Please note the following terms under which guarantee claims can be made:

1. These guarantee terms cover additional guarantee rights and do not affect your statutory warranty rights. We do not charge you for this guarantee.
2. Our guarantee only covers problems caused by material or manufacturing defects, and it is restricted to the rectification of these defects or replacement of the device. Please note that our devices have not been designed for use in commercial, trade or industrial applications. Consequently, the guarantee is invalidated if the equipment is used in commercial, trade or industrial applications or for other equivalent activities. The following are also excluded from our guarantee: compensation for transport damage, damage caused by failure to comply with the installation/assembly instructions or damage caused by unprofessional installation, failure to comply with the operating instructions (e.g. connection to the wrong mains voltage or current type), misuse or inappropriate use (such as overloading of the device or use of non-approved tools or accessories), failure to comply with the maintenance and safety regulations, ingress of foreign bodies into the device (e.g. sand, stones or dust), effects of force or external influences (e.g. damage caused by the device being dropped) and normal wear resulting from proper operation of the device. This applies in particular to rechargeable batteries for which we nevertheless issue a guarantee period of 12 months. The guarantee is rendered null and void if any attempt is made to tamper with the device.
3. The guarantee is valid for a period of 2 years starting from the purchase date of the device. Guarantee claims should be submitted before the end of the guarantee period within two weeks of the defect being noticed. No guarantee claims will be accepted after the end of the guarantee period. The original guarantee period remains applicable to the device even if repairs are carried out or parts are replaced. In such cases, the work performed or parts fitted will not result in an extension of the guarantee period, and no new guarantee will become active for the work performed or parts fitted. This also applies when an on-site service is used.
4. In order to assert your guarantee claim, please send your defective device postage-free to the address shown below. Please enclose either the original or a copy of your sales receipt or another dated proof of purchase. Please keep your sales receipt in a safe place, as it is your proof of purchase. It would help us if you could describe the nature of the problem in as much detail as possible. If the defect is covered by our guarantee then your device will either be repaired immediately and returned to you, or we will send you a new device.

Of course, we are also happy offer a chargeable repair service for any defects which are not covered by the scope of this guarantee or for units which are no longer covered. To take advantage of this service, please send the device to our service address.

Also refer to the restrictions of this warranty concerning wear parts/consumables and missing parts as set forth in the warranty conditions in these operating instructions.

