



GE-WS 18/35 Li
GE-WS 18/75 Li

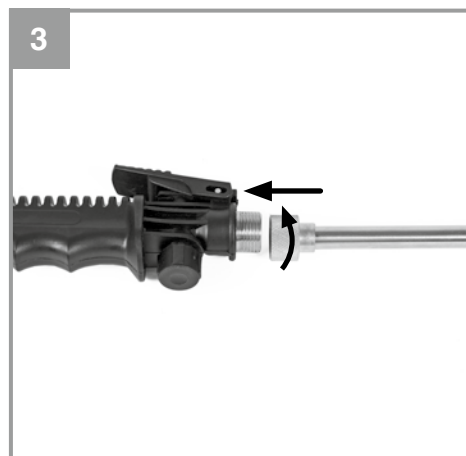
D	Originalbetriebsanleitung Akku-Drucksprühgerät	SLO	Originalna navodila za uporabo Akumulatorska tlačna škropilnica
GB	Original operating instructions Cordless pressure sprayer	H	Eredeti használati utasítás Akumulátoros-nyomáspermetező
F	Instructions d'origine Pulvérisateur à pression sans fil	RO	Instrucțiuni de utilizare originale Pulverizator sub presiune cu acumulator
I	Istruzioni per l'uso originali Spruzzatore a pressione a batteria	GR	Πρωτότυπες Οδηγίες χρήσης Συσκευή ψεκασμού πίεσης, με μπαταρία
DK/ N	Original betjeningsvejledning Akku-tryksprøjte	P	Manual de instruções original Pulverizador de pressão sem fio
S	Original-bruksanvisning Batteridrivnen tryckspruta	HR/ BIH	Originalne upute za uporabu Akumulatorski tlačna prskalica
CZ	Originální návod k obsluze Akumulátorový tlakový postřikovač	RS	Originalna uputstva za upotrebu Akumulatorski uređaj za prskanje pod pritiskom
SK	Originálny návod na obsluhu Akumulátorový tlakový postrekovač	PL	Instrukcją oryginalną Akumulatorowy opryskiwacz ciśnieniowy
NL	Originele handleiding Accu druksproeier	TR	Orijinal Kullanma Talimatı Akülü ilaçlama pompası
E	Manual de instrucciones original Pulverizador a presión inalámbrico	EE	Originaalkasutusjuhend Akuga aiaprits
FIN	Alkuperäiskäyttöohje Akku-paineruisku		

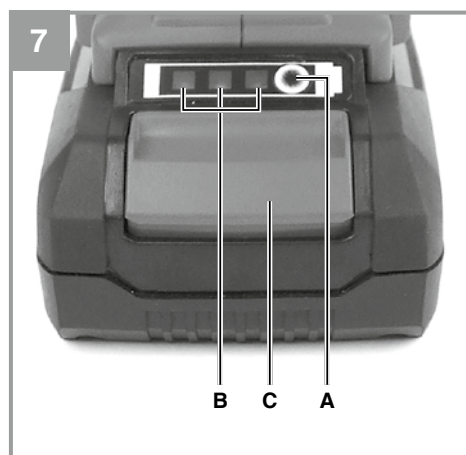
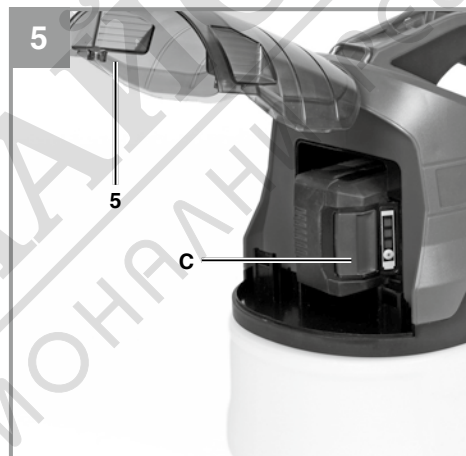
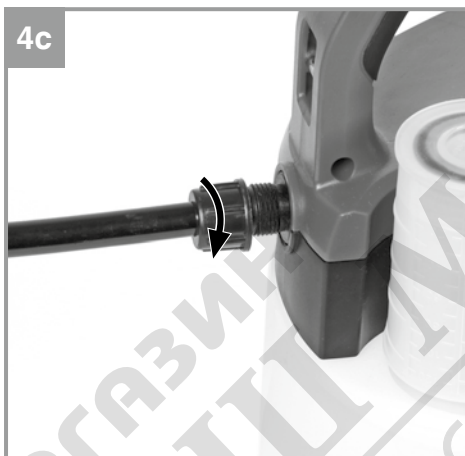
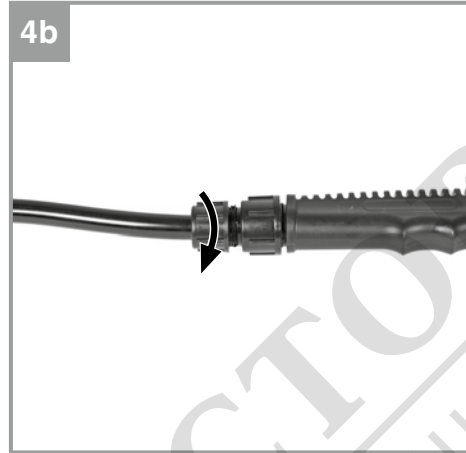
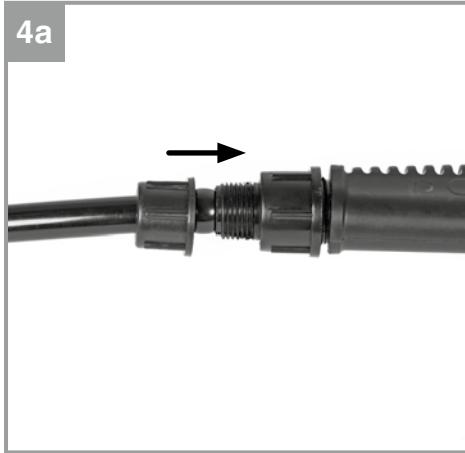
13

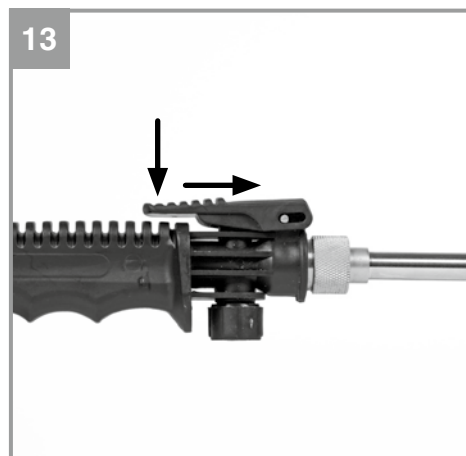
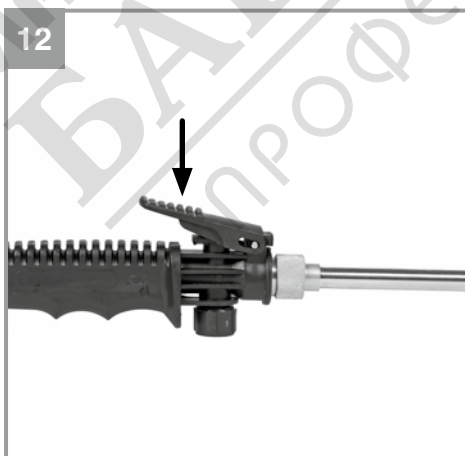
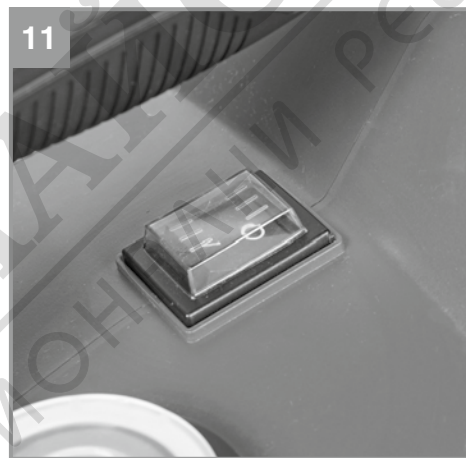
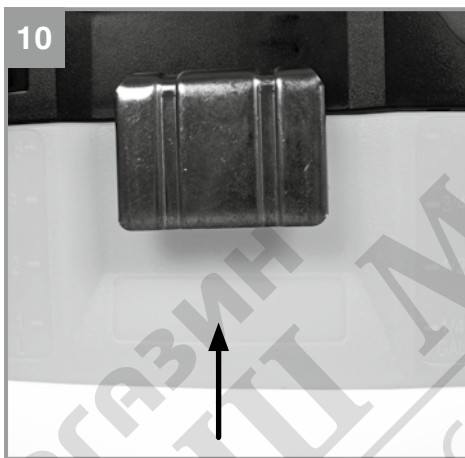
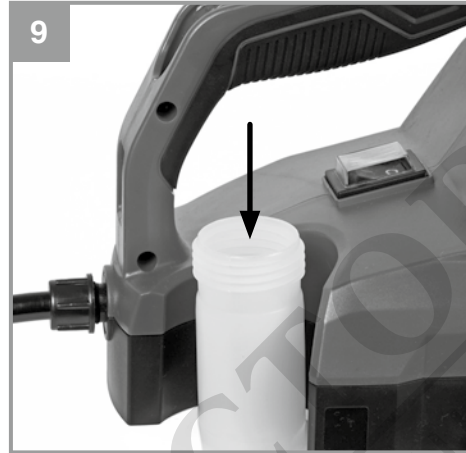


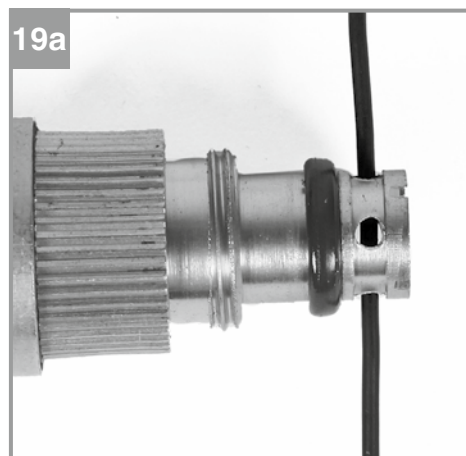
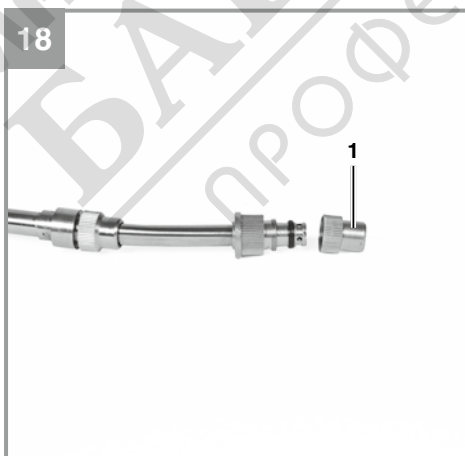
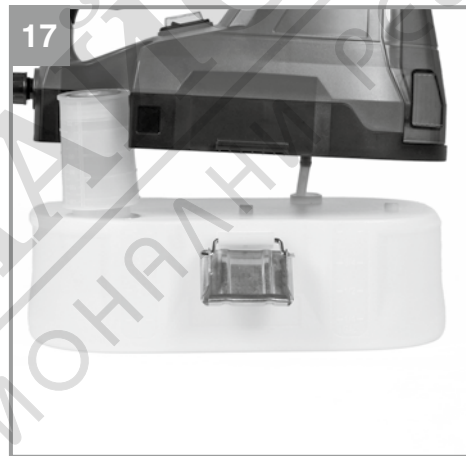
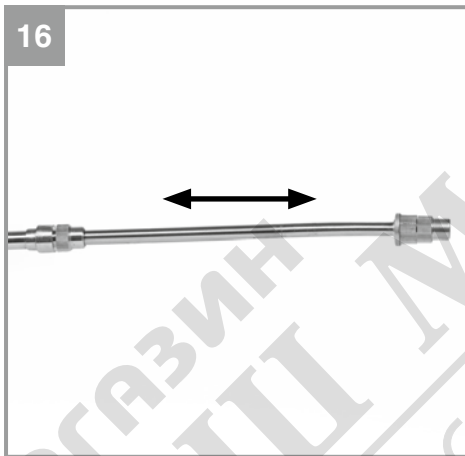
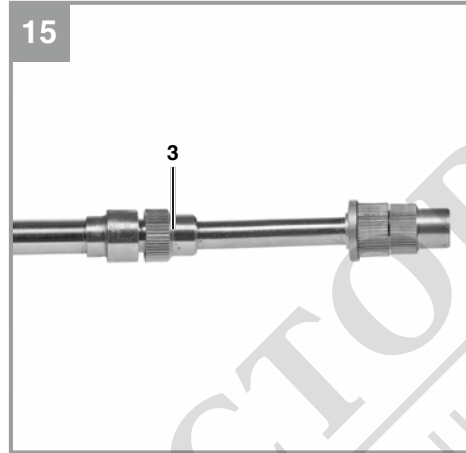
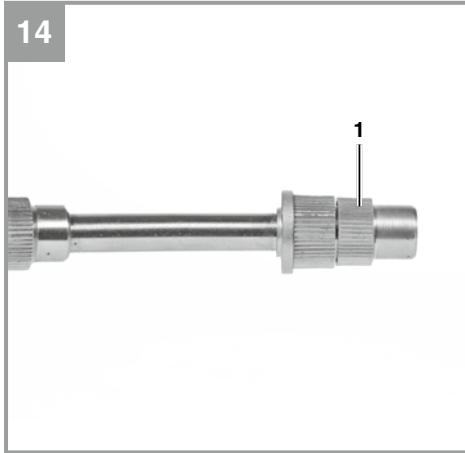
Art.-Nr.: 34.252.10 (Solo)
Art.-Nr.: 34.252.20 (Solo)

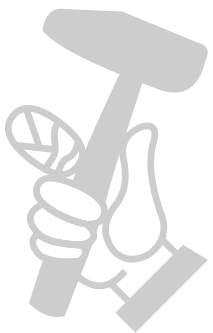
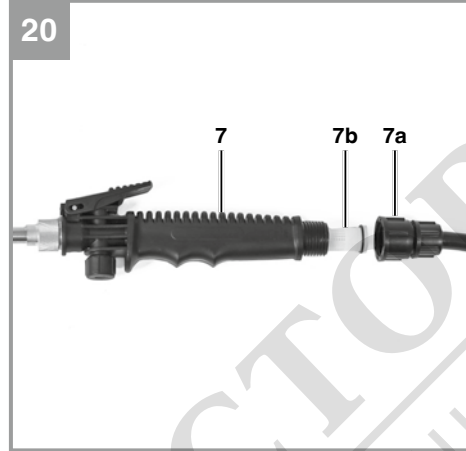
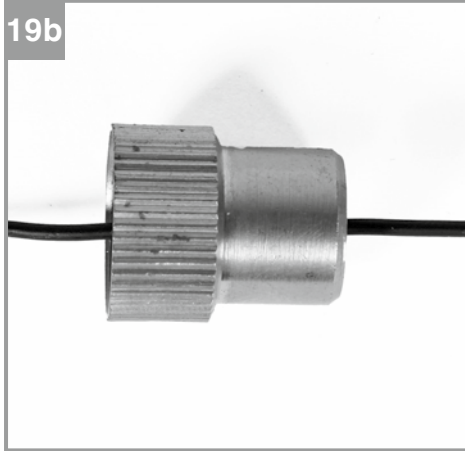
I.-Nr.: 21023
I.-Nr.: 21023











Danger!

When using the equipment, a few safety precautions must be observed to avoid injuries and damage. Please read the complete operating instructions and safety regulations with due care. Keep this manual in a safe place, so that the information is available at all times. If you give the equipment to any other person, hand over these operating instructions and safety regulations as well. We cannot accept any liability for damage or accidents which arise due to a failure to follow these instructions and the safety instructions.

Explanation of the symbols used (see Fig. 21)

1. **Danger!** - Read the operating instructions to reduce the risk of injury.
2. **Caution! Wear a protective mask.**
3. **Caution! Wear safety goggles.**
4. **Caution! Wear suitable protective gloves!**
5. **Wear suitable sturdy shoes.**
6. **Do not use in the rain. Protect from the damp!**

1. Safety regulations

The corresponding safety information can be found in the enclosed booklet.

Warning!

Read all the safety information, instructions, illustrations and technical data provided on or with this power tool. Failure to adhere to the following instructions may result in electric shock, fire and/or serious injury.

Keep all the safety information and instructions in a safe place for future use.

- Wear suitable, close-fitting clothing. Wear an impermeable head covering when working overhead.
- Never leave the sprayer standing in the sun.
- Do not spray any toxic substances. Note the safety data sheets for chemical substances and preparation. Contact the manufacturer if in doubt.
- Keep away from third parties and animals while spraying.

Children are not allowed to use this equipment. Children should be supervised so that they do not play with the equipment. Children are not allowed to carry out cleaning or maintenance. This equipment is not allowed to be used by people with limited physical, sensory or mental capacities or by

those with insufficient knowledge or experience unless they are supervised or instructed by a person who is responsible for them.

2. Layout and items supplied**2.1 Layout (Fig. 1-2)**

1. Adjustable spray head
2. Telescopic spray tube
3. Locking nut
4. Fixed spray tube
5. Battery cover flap
6. Release lever
7. Spray gun handle
8. Hose
9. Strap fixture
10. Tank cap/measuring jug
11. Carry-handle
12. On/Off switch
13. Spray container
14. Motor housing
15. Container cap
16. Carrying strap

2.2 Items supplied

Please check that the article is complete as specified in the scope of delivery. If parts are missing, please contact our service center or the sales outlet where you made your purchase at the latest within 5 working days after purchasing the product and upon presentation of a valid bill of purchase. Also, refer to the warranty table in the service information at the end of the operating instructions.

- Open the packaging and take out the equipment with care.
- Remove the packaging material and any packaging and/or transportation braces (if available).
- Check to see if all items are supplied.
- Inspect the equipment and accessories for transport damage.
- If possible, please keep the packaging until the end of the guarantee period.

Danger!

The equipment and packaging material are not toys. Do not let children play with plastic bags, foils or small parts. There is a danger of swallowing or suffocating!

- Pressure sprayer
- Hose

- Spray gun handle
- Spray tube
- Carrying strap
- Original operating instructions
- Safety information

3. Intended use

The pressure sprayer is designed exclusively for spraying the following liquids at home, in the garden or in greenhouses:

- Water
- Pesticides
- Weedkillers
- Natural oils dissolved in water (e.g. neem oil, rapeseed oil)
- Fertilizers dissolved in water

Liquids to be sprayed, particularly natural oils dissolved in water, must have a water-like consistency. Liquids of greater viscosity cannot be sprayed, or only with lesser power.

Only liquid fertilizers, weedkillers and pesticides that are approved by the local licensing authority in the country of use may be sprayed. At the time of manufacture, no harmful effects on the materials used are known to be caused by these approved substances or natural oils dissolved in water. The fertilizers, pesticides and weedkillers are only allowed to be sprayed in the concentrations specified by the manufacturer of the spray solutions. If in doubt, please contact the relevant manufacturer.

The pressure sprayer is not designed to be used with foodstuffs or to spray liquids that exceed the maximum permitted operating temperature of 40°C. Similarly, it is prohibited to spray acidic, caustic and flammable liquids whose flash point is below 55 °C. Similarly it is prohibited to spray any impregnating agents, paints, varnishes, greases, mineral oils and synthetically manufactured oils.

Important! Atomized flammable liquids with a flash point in excess of 55 °C are also highly combustible.

Never use the pressure sprayer

- as a flame gun
- for storing liquids

The equipment is to be used only for its prescribed purpose. Any other use is deemed to be a

case of misuse. The user / operator and not the manufacturer will be liable for any damage or injuries of any kind caused as a result of this.

Please note that our equipment has not been designed for use in commercial, trade or industrial applications. Our warranty will be voided if the machine is used in commercial, trade or industrial businesses or for equivalent purposes.

4. Technical data

Power supply:	18 V DC
Pump type:	Membrane pump
GE-WS 18/35 Li	
Container capacity approx.:	3.8 l
GE-WS 18/35 Li filling quantity max.:	3.5 l
GE-WS 18/75 Li	
Container capacity approx.:	8.2 l
GE-WS 18/75 Li filling quantity max.:	7.5 l
Flow rate, V:	30-60 l/h
Spray pressure:	2.5 bar (36 psi)
Optimal spray distance:	0.6 m
Residual quantity:	25 ml
Maximum permitted operating temperature:	+ 40 °C
Spray tube length with connection/nozzle min. – max.:	33 cm – 50 cm
GE-WS 18/35 Li weight with accessories (excl. battery):	2.26 kg
GE-WS 18/75 Li weight with accessories (excl. battery):	2.40 kg

Important!

The equipment is supplied without batteries and without a charger and is allowed to be used only with the lithium-ion batteries of the Power-X-Change series!

The lithium-ion batteries of the Power-X-Change series are allowed to be charged only with the Power-X-Charger.

Danger!

Sound and vibration

Sound and vibration values were measured in accordance with EN 60745.

L _{PA} sound pressure level	83 dB(A)
K _{PA} uncertainty	3 dB
L _{WA} sound power level	94 dB(A)

K_{WA} uncertainty 3 dB

Total vibration values (vector sum of three directions) determined in accordance with EN 60745.

Handle

Vibration emission value $a_h \leq 2.5 \text{ m/s}^2$
 K uncertainty = 1.5 m/s^2

The stated vibration emission levels and stated noise emission values were measured in accordance with a set of standardized criteria and can be used to compare one power tool with another.

The stated vibration emission levels and stated noise emission values can also be used to make an initial assessment of exposure.

Warning:

The vibration and noise emission levels may vary from the level specified during actual use, depending on the way in which the power tool is used, especially the type of workpiece it is used for.

Keep the noise emissions and vibrations to a minimum.

- Only use appliances which are in perfect working order.
- Service and clean the appliance regularly.
- Adapt your working style to suit the appliance.
- Do not overload the appliance.
- Have the appliance serviced whenever necessary.
- Switch the appliance off when it is not in use.
- Wear protective gloves.

Caution!

Residual risks

Even if you use this electric power tool in accordance with instructions, certain residual risks cannot be ruled out. The following hazards may arise in connection with the equipment's construction and layout:

1. Lung damage if no suitable protective mask is used.
2. Contact with hazardous substances. Spray materials can be harmful if inhaled or swallowed or if allowed to come into contact with the skin or eyes. Follow the instructions and wear suitable protective equipment.

5. Before starting the equipment

Warning!

Switch the equipment off and remove the battery before carrying out any assembly work.

5.1 Assembling the spray tube and hose

1. Screw the spray tube onto the spray gun handle (Fig. 3).
2. Attach the hose to the spray gun handle (Fig. 4a) and screw it on tightly using the fastening nut (Fig. 4b).
3. Connect the other end of the hose to the housing and screw it on tightly using the fastening nut (Fig. 4c).

Important! Always check the hose connections. Any leaks must be remedied immediately and the equipment must not be used until this has been done.

5.2 Assembling and fitting the shoulder strap

1. Hook the ends of the shoulder strap into the strap fixture (Fig. 1/Item 9).
2. Slip the shoulder strap over your shoulder.
3. Adjust the length of the shoulder strap so that the strap attachment is at waist level and you can work without fatigue.

5.3 Installing the battery

Note:

- The equipment is supplied without batteries and without a charger.
- The cover flap closes by itself and is held in position by magnets.

Open and hold the cover flap (Fig. 5/Item 5). Push the battery into the battery mount provided. Make sure that the pushlock button (Fig. 5/Item C) engages as soon as the battery has been pushed in all the way. To remove the battery, proceed in the reverse order.

5.4 Charging the battery

1. Take the battery pack out of the equipment. To do so, press the pushlock button. (Fig. 5/Item C).
2. Check that your mains voltage is the same as that marked on the rating plate of the battery charger. Insert the power plug of the charger into the socket outlet. The green LED will then begin to flash.
3. Insert the battery pack into the charger.
4. In the section entitled „Charger indicator“ you will find a table with an explanation of the LED

indicator on the charger.

The battery pack can become a little warm during the charging. This is normal.

If the battery pack fails to charge, check:

- whether there is voltage at the socket outlet
- whether there is good contact at the charging contacts

If the battery pack still fails to charge, send

- the charger
 - and the battery pack
- to our customer service center.

To ensure that items are properly packaged and delivered when you send them to us, please contact our customer service or the point of sale at which the equipment was purchased.

When shipping or disposing of batteries and cordless tools, always ensure that they are packed individually in plastic bags to prevent short circuits and fires.

To ensure that the battery pack provides long service, you should take care to recharge it promptly. You must recharge the battery pack when you notice that the performance of the device drops. Never allow the battery pack to become fully discharged. This will cause it to develop a defect.

5.5 Battery charge level indicator (Fig. 7)

Press the button for the battery charge level indicator (Item A). The battery charge level indicator (Item B) shows the charge status of the battery using 3 LEDs.

All 3 LEDs are lit:

The battery is fully charged.

2 or 1 LED(s) are lit:

The battery has an adequate remaining charge.

1 LED flashes:

The battery is empty, recharge the battery.

All LEDs blink:

The battery temperature is too low. Remove the battery from the equipment, keep it at room temperature for one day. If the fault reoccurs, this means that the rechargeable battery has undergone exhaustive discharge and is defective. Remove the battery from the equipment. Never use or charge a defective battery.

5.6 Preparing spray solution and filling the container

Switch off the equipment and remove the battery.

Note:

- Always follow the manufacturer's instructions when mixing spray solutions. Fill the tank only with the amount of solution you intend to use.
- Spray solution must have a water-like consistency.
- GE-WS 18/35 Li: The spray container can be filled with a maximum 3.5 liters of liquid.
- GE-WS 18/75 Li: The spray container can be filled with a maximum 7.5 liters of liquid.
- Pesticides must only be prepared outdoors and never in living quarters, stables, or storage rooms for food and animal feed.
- Spray solutions can be prepared in a separate container and mixed thoroughly before being filled into the container of the pressure sprayer.
- If you intend to use organic spray solutions, they must be filtered prior to filling the sprayer.
- Clean the equipment immediately after each use. This is the only way to keep the liquid-carrying parts clean and prevent clogging. Clogged components can lead to defects.

1. Place the pressure sprayer on a level surface. Remove the tank cap (Fig. 8/Item 10). This also serves as a measuring jug.
2. Pour the amount of liquid (e.g. water) specified by the solution manufacturer into the spray container (Fig. 9). If the spray solution has not been prepared ready for spraying, add the measured quantity of concentrated additive and close the container carefully.
3. If you have not already done so, mix the concentrated additive with the water (or other liquid) by shaking the pressure sprayer.
4. Apply the label for the spray solution used to the spray container (Fig. 10).

6. Operation

6.1 Switching on

After inserting the battery, switch the equipment on by turning the On/Off switch to the "I" position (Fig. 11).

6.2 Switching off

Switch the equipment off by turning the On/Off switch to the "0" position (Fig. 11).

6.3 Spraying

WARNING!

Note the attached leaflet with the safety instructions.

- Do not use a very wide jet when spraying plants or other objects directly.
- When the trigger lever on the spray gun handle is pressed, recoil forces can occur suddenly, in the worst case scenario causing the spray tube to point towards the body. Always keep tight hold of the spray gun handle.
- When spraying, you can keep the spray tube in the holder as shown in Fig. 1 or hold it in your hands instead.

6.3.1 Switching spraying on/off

- To spray, press the trigger lever on the spray gun handle (Fig. 12).
- The spray jet will stop when you let go of the trigger lever.
- If the trigger lever is pressed and then pushed forward (Fig. 13), this locks the lever. The equipment continues spraying until the trigger lever is pulled back again and released.

Notes!

1. If the integrated pump contains too little spray solution or none at all, it will run after the pressure sprayer is switched on. Press the trigger lever on the spray gun handle for several seconds. The pump will fill up and spray solution will be ejected irregularly. Once the spray solution is ejected evenly, the pump will switch off upon releasing the trigger lever and will switch on again upon pressing the lever.
2. If there is too little spray solution in the spray solution container, the pump will suck in too little spray solution (see 1.) and will continue to run upon releasing the trigger lever. Top up with spray solution (see section 5.6).

6.3.2 Adjusting the spray jet

The spray jet can be adjusted on the nozzle from a single jet to a wide spray (fine mist) for larger areas.

1. Pause the spraying process.
2. Turn the adjustable spray head counterclockwise to make the jet narrower until it is a single jet (Fig. 14/Item 1).
3. Turn the adjustable spray head clockwise to make the jet wider (Fig. 14/Item 1).

6.3.3 Lengthening the spray tube

1. Loosen the locking nut (Fig. 15 / Item 3) by turning it counterclockwise.

2. Pull the telescopic tube outwards to adjust it to the desired length (Fig. 16).
3. Then turn the locking nut (Fig. 15/Item 3) clockwise again to tighten.

6.4 Transport

Carry the spray gun by the handle (Fig. 1/Item 11) or the carrying strap (Fig. 1/Item 16).

7. Cleaning, maintenance and ordering spare parts

Hazard!

Always pull out the battery pack before starting any cleaning work. Never use flammable solvents to clean the equipment.

7.1 Cleaning (outside)

- Keep all safety devices, air vents and the motor housing free of dirt and dust as far as possible. Wipe the equipment with a clean cloth or blow it with compressed air at low pressure.
- We recommend that you clean the device immediately each time you have finished using it.
- Clean the equipment regularly with a moist cloth and some soft soap. Do not use cleaning agents or solvents; these could attack the plastic parts of the equipment. Ensure that no water can seep into the device. The ingress of water into an electric tool increases the risk of an electric shock.

7.2 Cleaning the inside of the container.

After use, clean the equipment and leave the container open to dry. Note the cleaning instructions in the directions for use that came with the chemical in addition to these cleaning instructions.

Remove any remaining liquid from the tank through the container's filler opening and store the liquid properly for subsequent use or dispose of it in accordance with the applicable regulations.

1. Flip the container caps (Fig. 1/Item 15) up and remove the motor part from the container (Fig. 17).
2. Empty the container completely.
3. Pour about 2 liters of clear water into the empty container.
4. Fit the motor part back onto the container and close the container by hooking the caps on the motor part and flipping them down.

5. Shake the pressure spray vigorously several times.
6. Spray the contents onto the area just treated or an area reserved for this purpose.
7. Repeat this process.
8. The container can now be drained through the filler opening as described above.
9. Allow the container to dry out completely before attaching it to the motor part again.

7.3 Cleaning the nozzle and adjustable spray head

If foreign bodies have collected in the nozzle and clogged it up, clean the nozzle as follows (never blow it out with your mouth!):

1. Turn the adjustable spray head counterclockwise as far as it will go (Fig. 18).
2. Clean the exposed nozzle (Fig. 19a) and the hole in the spray head (Fig. 19b) of residue using a thin wire.
3. Flush the nozzle and spray head with clear water.
4. Allow the nozzle and spray head to dry.

7.4 Cleaning the filter element in the handle (Fig. 20)

Clean the filter element in the handle at least once a year, ideally after the winter break or when there are problems (see section 10). Proceed as follows:

1. Unscrew the union nut (Item 7a) from the handle (Item 7).
2. Pull the filter (Item 7b) out of the handle (Item 7) and clean it with a brush in clear water.
3. Re-insert the filter (Item 7b).
4. Screw the union nut (Item 7a) securely back onto the handle (Item 7).

7.5 Maintenance

There are no parts inside the equipment which require additional maintenance.

7.6 Ordering replacement parts:

Please quote the following data when ordering replacement parts:

- Type of machine
- Article number of the machine
- Identification number of the machine
- Replacement part number of the part required

For our latest prices and information please go to www.Einhell-Service.com

8. Disposal and recycling

The equipment is supplied in packaging to prevent it from being damaged in transit. The raw materials in this packaging can be reused or recycled. The equipment and its accessories are made of various types of material, such as metal and plastic. Never place defective equipment in your household refuse. The equipment should be taken to a suitable collection center for proper disposal. If you do not know the whereabouts of such a collection point, you should ask in your local council offices.

9. Storage and transport

Remove the rechargeable battery/batteries.

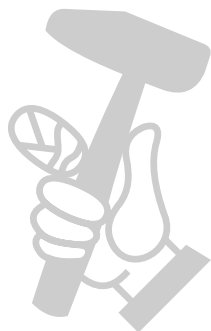
9.1 Storage

Store the equipment and its accessories in a dark and dry place at above freezing temperature. The ideal storage temperature is between 5 and 30 °C. Store the electric equipment in its original packaging.

Equipment must always be stored completely dry and clean.

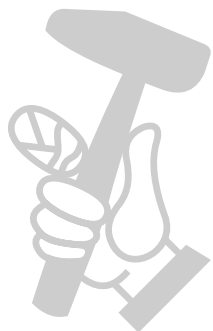
9.2 Transport

- Switch off the equipment and remove the battery.
- Fit the shipping protectors, if any.
- Protect the machine from damage and the strong vibrations that can occur particularly when transporting in vehicles.
- Secure the machine



10. Troubleshooting guide

Fault	Possible cause	Remedy
The motor does not start	<ul style="list-style-type: none"> a) Equipment not switched on b) Connections on motor loose c) Battery not correctly inserted 	<ul style="list-style-type: none"> a) Turn On/Off switch to "I" (see 6.) b) Have the equipment checked by a customer service workshop c) Remove battery and reinsert (see 5.)
The equipment does not spray, or only sprays at reduced power, even though the tank is full	<ul style="list-style-type: none"> a) Nozzle completely or partly clogged b) The filter element in the handle is completely or partly soiled c) Liquid too viscous and therefore unsuitable 	<ul style="list-style-type: none"> a) Clean the nozzle (see 7.2) b) Clean the filter element (see section 7.4) c) Remove liquid, clean equipment and container (see 7.)
Too much spray mist	<ul style="list-style-type: none"> a) Distance from object is too great b) Spray width too great 	<ul style="list-style-type: none"> a) Reduce spraying distance b) Reduce spray width (see 6.3.2)
Motor stops suddenly	Battery spent	Insert a charged battery (see 5.3)



11. Charger indicator

Indicator status		Explanations and actions
Red LED	Green LED	
Off	Flashing	<p>Ready for use The charger is connected to the mains and is ready for use; there is no battery pack in the charger</p>
On	Off	<p>Charging The charger is charging the battery pack in quick charge mode. The charging times are shown directly on the charger. Important! The actual charging times may vary slightly from the stated charging times depending on the existing battery charge.</p>
Off	On	<p>The battery is charged and ready for use. (READY TO GO) The unit then changes over to gentle charging mode until the battery is fully charged. To do this, leave the rechargeable battery on the charger for approx. 15 minutes longer. Action: Take the battery pack out of the charger. Disconnect the charger from the mains supply.</p>
Flashing	Off	<p>Adapted charging The charger is in gentle charging mode. For safety reasons the charging is performed less quickly and takes more time. The reasons can be: - The rechargeable battery has not been used for a very long time. - The battery temperature is outside the ideal range. Action: Wait for the charging to be completed; you can still continue to charge the battery pack.</p>
Flashing	Flashing	<p>Fault Charging is no longer possible. The battery pack is defective. Action: Never charge a defective battery pack. Take the battery pack out of the charger.</p>
On	On	<p>Temperature fault The battery pack is too hot (e.g. due to direct sunshine) or too cold (below 0° C). Action: Remove the battery pack and keep it at room temperature (approx. 20° C) for one day .</p>

Disposal

Power tools, rechargeable batteries, accessories and packaging should be sorted for environmental-friendly recycling.

Do not dispose of power tools and batteries/rechargeable batteries into household waste!

Only for EU countries:

According to the Directive 2012/19/EU on waste electrical and electronic equipment and its transposition into national law, power tools that are no longer usable, and, according to the Directive 2006/66/EC, defective or drained batteries must be collected separately and disposed of in an environmentally correct manner.

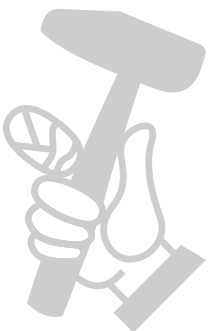
If disposed incorrectly, waste electrical and electronic equipment may have harmful effects on the environment and human health, due to the potential presence of hazardous substances.

Only for United Kingdom:

According to The Waste Electrical and Electronic Equipment Regulations 2013 (SI 2013/3113) (as amended) and the Waste Batteries and Accumulators Regulations 2009 (SI 2009/890) (as amended), products that are no longer usable must be collected separately and disposed of in an environmentally friendly manner.

The reprinting or reproduction by any other means, in whole or in part, of documentation and papers accompanying products is permitted only with the express consent of the Einhell Germany AG.

Subject to technical changes



Service information

We have competent service partners in all countries named on the guarantee certificate whose contact details can also be found on the guarantee certificate. These partners will help you with all service requests such as repairs, spare and wearing part orders or the purchase of consumables.

Please note that the following parts of this product are subject to normal or natural wear and that the following parts are therefore also required for use as consumables.

Category	Example
Wear parts*	Nozzle, Battery
Consumables*	
Missing parts	

* Not necessarily included in the scope of delivery!

In the effect of defects or faults, please register the problem on the internet at www.Einhell-Service.com. Please ensure that you provide a precise description of the problem and answer the following questions in all cases:

- Did the equipment work at all or was it defective from the beginning?
- Did you notice anything (symptom or defect) prior to the failure?
- What malfunction does the equipment have in your opinion (main symptom)? Describe this malfunction.

