

# Einhell

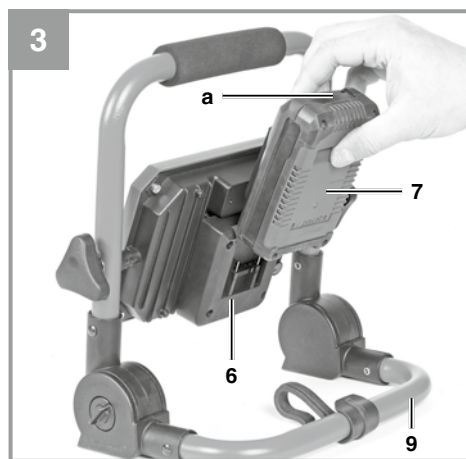
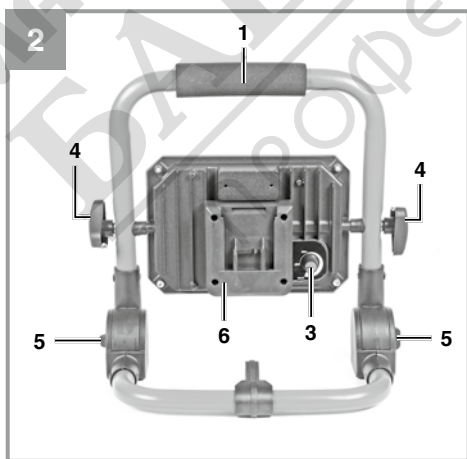
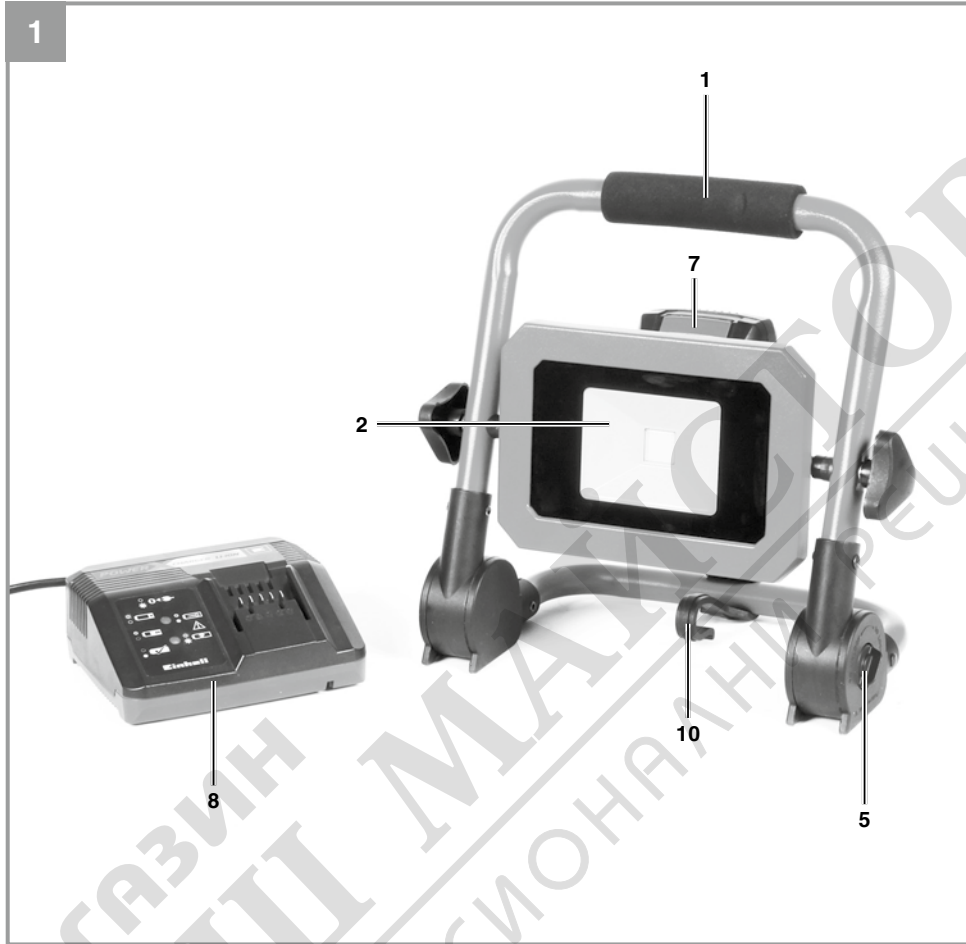
## TC-CL 18/1800 Li

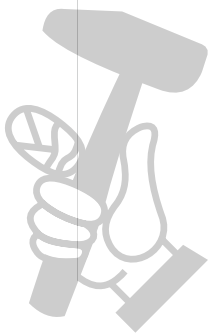
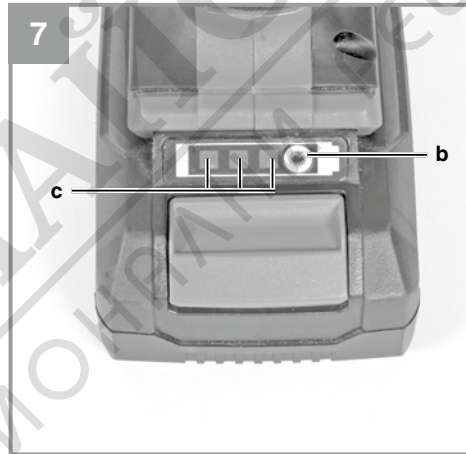
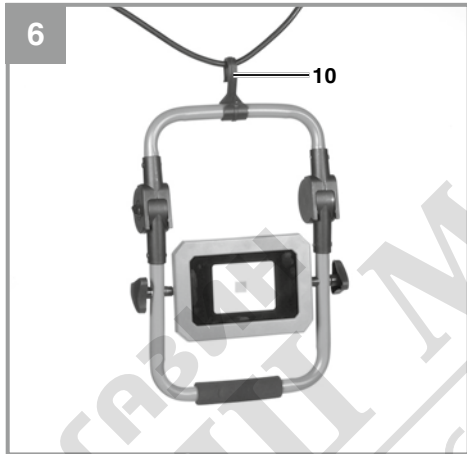
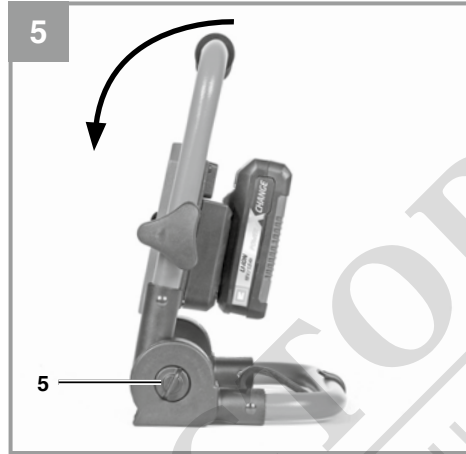
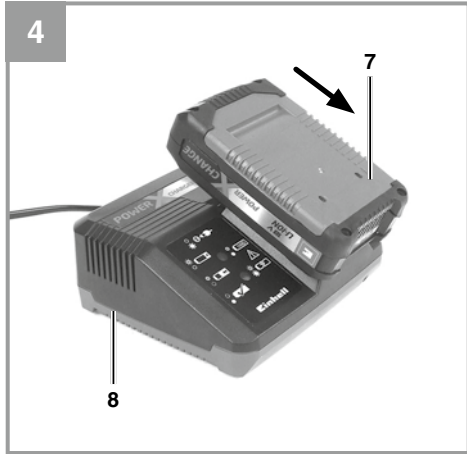
D	Originalbetriebsanleitung Akku-Lampe	SK	Originálny návod na obsluhu Akumulátorová lampa
GB	Original operating instructions Battery-Powered Lamp	NL	Originele handleiding Acculamp
F	Instructions d'origine Lampe sans fil	E	Manual de instrucciones original Linterna inalámbrica
I	Istruzioni per l'uso originali Spia batteria	FIN	Alkuperäiskäyttöohje Akkukäyttöinen lamppu
DK/ N	Original betjeningsvejledning Akku-lygte	SLO	Originalna navodila za uporabo Baterijska svetilka
S	Original-bruksanvisning Laddningsbar lampa	H	Eredeti használati utasítás Akkus-lámpa
CZ	Originální návod k obsluze Akumulátorová svítidla	RO	Instrucțiuni de utilizare originale Lampă cu acumulator



Art.-Nr.: 45.141.15

I.-Nr.: 11019







**Danger!** - Read the operating instructions to reduce the risk of injury

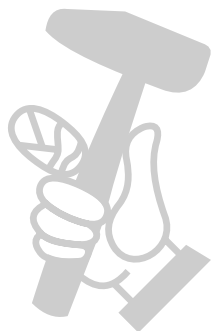


**Caution:** Do not look into the light beam.



**Beware of hot parts!**

МАГАЗИН МАЙСТОРА®  
БАШ ПРОФЕСИОНАЛНИ РЕШЕНИЯ



**Danger!**

When using the equipment, a few safety precautions must be observed to avoid injuries and damage. Please read the complete operating instructions and safety regulations with due care. Keep this manual in a safe place, so that the information is available at all times. If you give the equipment to any other person, hand over these operating instructions and safety regulations as well. We cannot accept any liability for damage or accidents which arise due to a failure to follow these instructions and the safety instructions.

**1. Safety regulations****Danger!****Read all safety regulations and instructions.**

Any errors made in following the safety regulations and instructions may result in an electric shock, fire and/or serious injury.

**Keep all safety regulations and instructions in a safe place for future use.**

**2. Layout and items supplied****2.1 Layout (Fig. 1)**

1. Carry-handle
2. Lamphead
3. ON/OFF switch with luminosity adjustment
4. Fastening screws for lamphead
5. Fastening screws for foot
6. Battery mount
7. Rechargeable battery
8. Charger
9. Foot
10. Hook

**2.2 Items supplied**

Please check that the article is complete as specified in the scope of delivery. If parts are missing, please contact our service center or the sales outlet where you made your purchase at the latest within 5 working days after purchasing the product and upon presentation of a valid bill of purchase. Also, refer to the warranty table in the service information at the end of the operating instructions.

- Open the packaging and take out the equipment with care.
- Remove the packaging material and any packaging and/or transportation braces (if available).

- Check to see if all items are supplied.
- Inspect the equipment and accessories for transport damage.
- If possible, please keep the packaging until the end of the guarantee period.

**Danger!**

**The equipment and packaging material are not toys. Do not let children play with plastic bags, foils or small parts. There is a danger of swallowing or suffocating!**

- Cordless lamp
- Original operating instructions

**3. Technical data**

Power supply of rechargeable battery: ... 18 V DC  
 Number of LEDs: ..... 1  
 Lumens: ..... 1800 lm  
 Weight: ..... 1.3 kg

**Important!**

The equipment is supplied without batteries and without a charger and is allowed to be used only with the lithium-ion batteries of the Power-X-Change series!

The lithium-ion batteries of the Power-X-Change series are allowed to be charged only with the Power-X charger.

**4. Operation****4.1 Fitting the battery (Fig. 3)**

Press the side pushlock button of the battery pack as shown in Fig. 3 and push the battery pack into the mount provided. Make sure that the lever engages properly. To remove the battery pack, proceed in reverse order.

**4.2 Charging the lithium-ion battery pack (Fig. 3/4)**

1. Remove the battery pack (7) from the battery mount(6), pressing the pushlock button (a) downwards to do so.
2. Check that your mains voltage is the same as that marked on the rating plate of the battery charger. Insert the power plug of the charger into the socket outlet. The green LED will then begin to flash.

3. Push the battery pack onto the battery charger.

In section 8 (Charger indicator) you will find a table with an explanation of the LED indicator on the charger.

If the battery pack fails to charge, check for the following:

- voltage at the power socket
- whether there is good contact at the charging contacts of the charging unit

If the battery pack still fails to charge, send

- the charger
  - and the battery pack
- to our customer service center.

To ensure that the battery pack provides long service, you should take care to recharge it promptly. You must recharge the battery pack when you notice that the power of the cordless lamp drops. Never allow the battery pack to become fully discharged. This will cause it to develop a defect.

#### 4.3 Switching on and off and adjusting the brightness (Fig. 2/Item 3)

##### Switching on:

Turn the ON/Off switch (3) clockwise until you hear a click.

The lamp will then come at the lowest level.

##### Adjusting the brightness:

The brightness of the lamp is continuously adjustable to individual requirements.

To increase the brightness of the lamp, turn the On/Off switch (3) clockwise. To reduce the brightness of the lamp, turn the On/Off switch (3) counterclockwise.

##### Switching off:

Turn the ON/Off switch (3) counterclockwise until you hear a click.

#### 4.4 Adjusting the lighting position

- You can adjust the lamphead to any lighting position you want by turning it.
- To do so, undo the fastening screws for the lamphead (4) on both sides of the equipment.
- Now adjust it to the lighting position you require and then retighten the fastening screws for the lamphead (4).

#### 4.5 Fastening the lamp with the hook (Fig. 5-6/Item 10)

- The lamp can also be hung up easily using the hook (10).
- To do so, undo the fastening screws for the foot (5) on both sides of the equipment.
- Swivel the frame of the lamp as far as the stop (Fig. 5).
- Then retighten the fastening screws for the foot (5).
- Hang up the lamp, e.g. from a cable (Fig. 6).

#### 4.6 Battery charge level indicator (Fig. 7)

Press the button for the battery charge level indicator (b). The battery charge level indicator (c) will indicate the charge status of the battery by means of 3 LEDs.

##### All 3 LEDs are lit:

The battery is fully charged.

##### 2 or 1 LED(s) are lit:

The battery has an adequate remaining charge.

##### 1 LED blinks:

The battery is empty, recharge the battery.

##### All LEDs flash:

The battery temperature is too high. Remove the battery from the equipment, keep it at room temperature for one day. If the fault reoccurs, this means that the rechargeable battery has undergone exhaustive discharge and is defective. Remove the battery from the equipment. Never use or charge a defective battery.

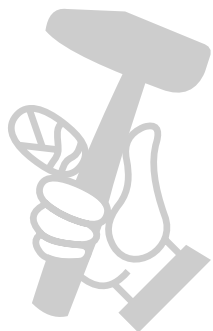
## 5. Cleaning, maintenance and ordering of spare parts

### Danger!

Always pull out the battery pack before starting any cleaning work.

#### 5.1 Cleaning

- Keep all safety devices, air vents and the motor housing free of dirt and dust as far as possible. Wipe the equipment with a clean cloth or blow it with compressed air at low pressure.
- We recommend that you clean the device immediately each time you have finished using it.



- Clean the equipment regularly with a moist cloth and some soft soap. Do not use cleaning agents or solvents; these could attack the plastic parts of the equipment. Ensure that no water can seep into the device. The ingress of water into an electric tool increases the risk of an electric shock.

### 5.2 Maintenance

There are no parts inside the equipment which require additional maintenance.

### 5.3 Ordering replacement parts:

Please quote the following data when ordering replacement parts:

- Type of machine
- Article number of the machine
- Identification number of the machine
- Replacement part number of the part required

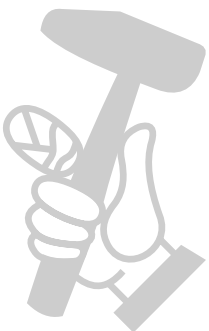
For our latest prices and information please go to [www.isc-gmbh.info](http://www.isc-gmbh.info)

## 6. Disposal and recycling

The equipment is supplied in packaging to prevent it from being damaged in transit. The raw materials in this packaging can be reused or recycled. The equipment and its accessories are made of various types of material, such as metal and plastic. Never place defective equipment in your household refuse. The equipment should be taken to a suitable collection center for proper disposal. If you do not know the whereabouts of such a collection point, you should ask in your local council offices.

## 7. Storage

Store the equipment and accessories in a dark and dry place at above freezing temperature. The ideal storage temperature is between 5 and 30 °C. Store the electric tool in its original packaging.



## 8. Charger indicator

Indicator status		Explanations and actions
Red LED	Green LED	
Off	Flashing	<b>Ready for use</b> The charger is connected to the mains and is ready for use; there is no battery pack in the charger
On	Off	<b>Charging</b> The charger is charging the battery pack in quick charge mode. The charging times are shown directly on the charger. Important! The actual charging times may vary slightly from the stated charging times depending on the existing battery charge.
Off	On	<b>The battery is charged and ready for use.</b> The unit then changes over to gentle charging mode until the battery is fully charged. To do this, leave the rechargeable battery on the charger for approx. 15 minutes longer. <b>Action:</b> Take the battery pack out of the charger. Disconnect the charger from the mains supply.
Flashing	Off	<b>Adapted charging</b> The charger is in gentle charging mode. For safety reasons the charging is performed less quickly and takes more time. The reasons can be: - The rechargeable battery has not been used for a very long time. - The battery temperature is outside the ideal range. <b>Action:</b> Wait for the charging to be completed; you can still continue to charge the battery pack.
Flashing	Flashing	<b>Fault</b> Charging is no longer possible. The battery pack is defective. <b>Action:</b> Never charge a defective battery pack. Take the battery pack out of the charger.
On	On	<b>Temperature fault</b> The battery pack is too hot (e.g. due to direct sunshine) or too cold (below 0° C). <b>Action:</b> Remove the battery pack and keep it at room temperature (approx. 20° C) for one day .





For EU countries only

Never place any electric power tools in your household refuse.

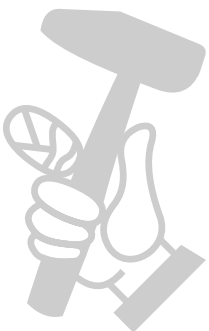
To comply with European Directive 2012/19/EC concerning old electric and electronic equipment and its implementation in national laws, old electric power tools have to be separated from other waste and disposed of in an environment-friendly fashion, e.g. by taking to a recycling depot.

Recycling alternative to the return request:

As an alternative to returning the equipment to the manufacturer, the owner of the electrical equipment must make sure that the equipment is properly disposed of if he no longer wants to keep the equipment. The old equipment can be returned to a suitable collection point that will dispose of the equipment in accordance with the national recycling and waste disposal regulations. This does not apply to any accessories or aids without electrical components supplied with the old equipment.

The reprinting or reproduction by any other means, in whole or in part, of documentation and papers accompanying products is permitted only with the express consent of the iSC GmbH.

Subject to technical changes



## Warranty certificate

Dear Customer,

All of our products undergo strict quality checks to ensure that they reach you in perfect condition. In the unlikely event that your device develops a fault, please contact our service department at the address shown on this guarantee card. You can also contact us by telephone using the service number shown.

Please note the following terms under which guarantee claims can be made:

1. These guarantee terms apply to consumers only, i.e. natural persons intending to use this product neither for their commercial activities nor for any other self-employed activities. These warranty terms regulate additional warranty services, which the manufacturer mentioned below promises to buyers of its new products in addition to their statutory rights of guarantee. Your statutory guarantee claims are not affected by this guarantee. Our guarantee is free of charge to you.
2. The warranty services cover only defects due to material or manufacturing faults on a product which you have bought from the manufacturer mentioned below and are limited to either the rectification of said defects on the product or the replacement of the product, whichever we prefer.  
Please note that our devices are not designed for use in commercial, trade or professional applications. A guarantee contract will not be created if the device has been used by commercial, trade or industrial business or has been exposed to similar stresses during the guarantee period.
3. The following are not covered by our guarantee:
  - Damage to the device caused by a failure to follow the assembly instructions or due to incorrect installation, a failure to follow the operating instructions (for example connecting it to an incorrect mains voltage or current type) or a failure to follow the maintenance and safety instructions or by exposing the device to abnormal environmental conditions or by lack of care and maintenance.
  - Damage to the device caused by abuse or incorrect use (for example overloading the device or the use of unapproved tools or accessories), ingress of foreign bodies into the device (such as sand, stones or dust, transport damage), the use of force or damage caused by external forces (for example by dropping it).
  - Damage to the device or parts of the device caused by normal or natural wear or tear or by normal use of the device.
4. The guarantee is valid for a period of 24 months starting from the purchase date of the device. Guarantee claims should be submitted before the end of the guarantee period within two weeks of the defect being noticed. No guarantee claims will be accepted after the end of the guarantee period. The original guarantee period remains applicable to the device even if repairs are carried out or parts are replaced. In such cases, the work performed or parts fitted will not result in an extension of the guarantee period, and no new guarantee will become active for the work performed or parts fitted. This also applies if an on-site service is used.
5. To make a claim under the guarantee, please register the defective device at: [www.isc-gmbh.info](http://www.isc-gmbh.info). Please keep your bill of purchase or other proof of purchase for the new device. Devices that are returned without proof of purchase or without a rating plate shall not be covered by the guarantee, because appropriate identification will not be possible. If the defect is covered by our guarantee, then the item in question will either be repaired immediately and returned to you or we will send you a new replacement.

Of course, we are also happy offer a chargeable repair service for any defects which are not covered by the scope of this guarantee or for units which are no longer covered. To take advantage of this service, please send the device to our service address.

Also refer to the restrictions of this warranty concerning wear parts, consumables and missing parts as set out in the service information in these operating instructions.