



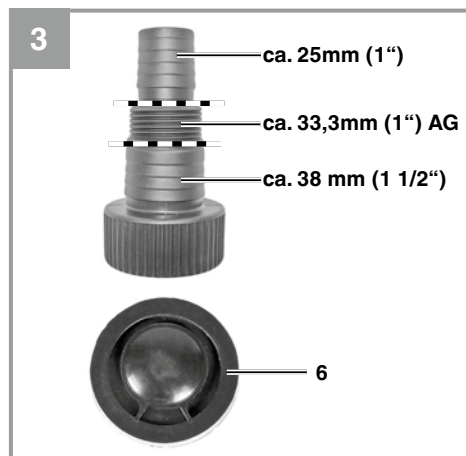
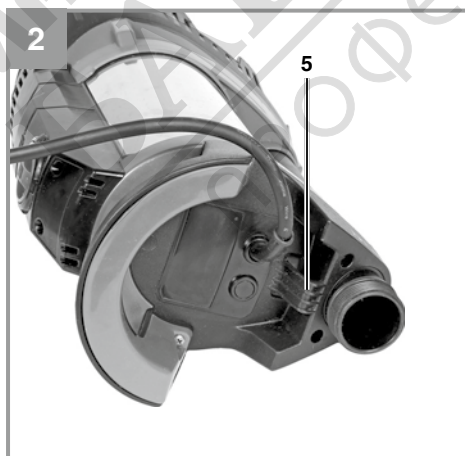
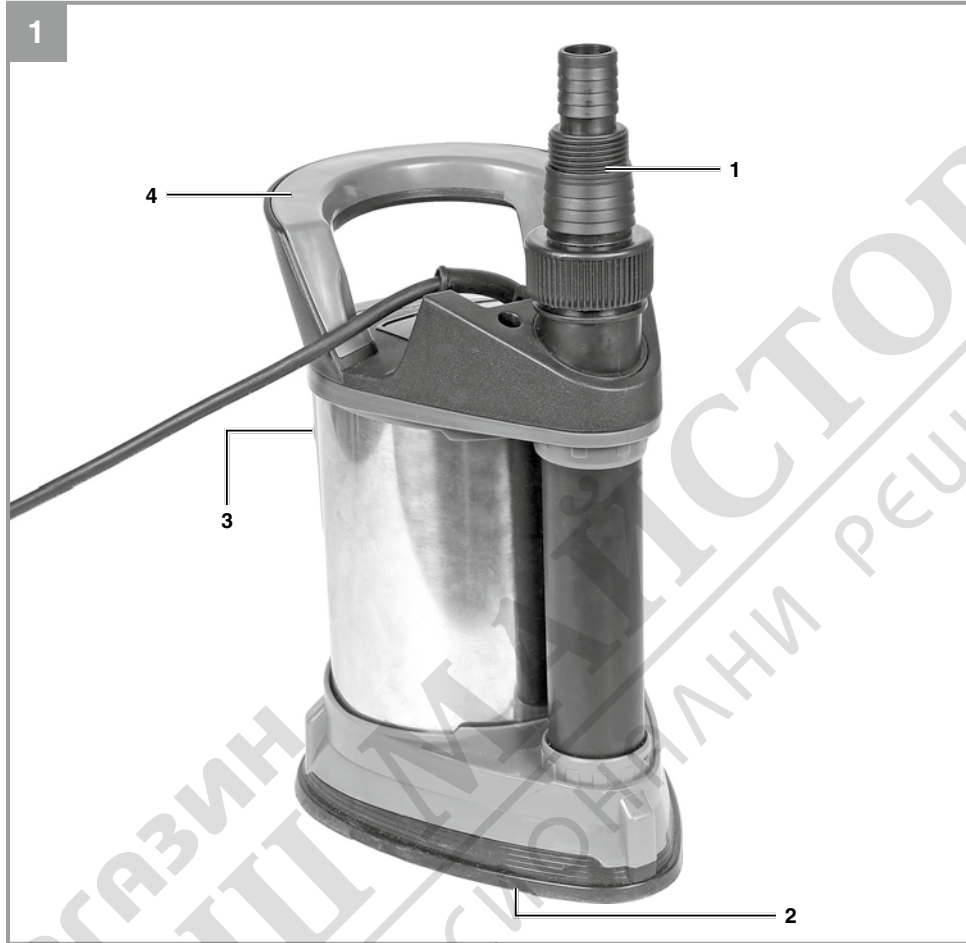
GE-SP 4390 N-A LL ECO[®]

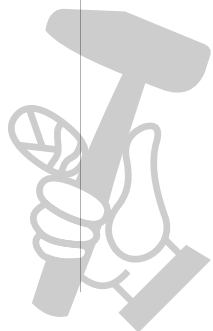
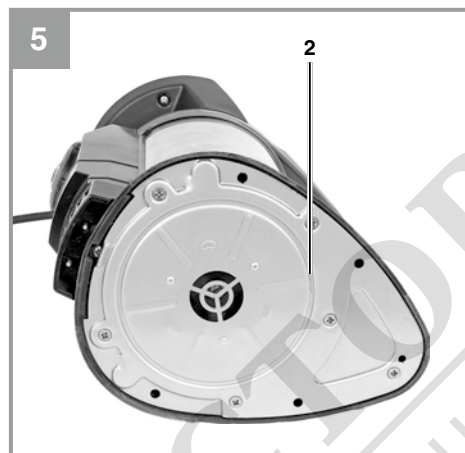
- D Originalbetriebsanleitung
Klarwasserpumpe
- GB Original operating instructions
Clear water pump
- F Instructions d'origine
Pompe à eau claire
- I Istruzioni per l'uso originali
Pompa per acque chiare
- DK/ Original betjeningsvejledning
N Klartvandspumpe
- S Original-bruksanvisning
Klarvattenpump
- NL Originele handleiding
Helderwaterpomp
- E Manual de instrucciones original
Bomba de agua limpia
- FIN Alkuperäiskäyttöohje
Puhdasvesipumppu
- RUS Оригинальное руководство по
эксплуатации
Насос для чистой воды
- GR Πρωτότυπες Οδηγίες χρήσης
Αντλία καθαρού νερού



Art.-Nr.: 41.714.40

I.-Nr.: 11029

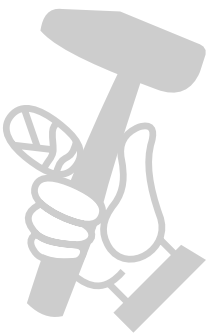




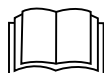
МАГАЗИН МАЙСТРА
БАШ МАЙСТРА
ПРОФЕСІОНАЛНИ РЕШЕННЯ

Table of contents

1. Safety regulations
2. Layout and items supplied
3. Proper use
4. Technical data
5. Before starting the equipment
6. Operation
7. Replacing the power cable
8. Cleaning, maintenance and ordering of spare parts
9. Disposal and recycling
10. Storage
11. Troubleshooting guide



МАГАЗИН МАЙСТОРА®
БАШ МАЙСТОРА
ПРОФЕСИОНАЛНИ РЕШЕНИЯ



Danger! - Read the operating instructions to reduce the risk of injury

This equipment can be used by children of 8 years and older and by people with limited physical, sensory or mental capacities or those with no experience and knowledge if they are supervised or have received instruction in how to use the equipment safely and understand the dangers which result from such use. Children are not allowed to play with the equipment. Unless supervised, children are not allowed to clean the equipment and carry out user-level maintenance work.

If the power cable for this equipment is damaged, it must be replaced by the manufacturer or its after-sales service or similarly trained personnel to avoid danger.

Danger!

When using the equipment, a few safety precautions must be observed to avoid injuries and damage. Please read the complete operating instructions and safety regulations with due care. Keep this manual in a safe place, so that the information is available at all times. If you give the equipment to any other person, hand over these operating instructions and safety regulations as well. We cannot accept any liability for damage or accidents which arise due to a failure to follow these instructions and the safety instructions.

1. Safety regulations**Danger!****Read all safety regulations and instructions.**

Any errors made in following the safety regulations and instructions may result in an electric shock, fire and/or serious injury.

Keep all safety regulations and instructions in a safe place for future use.

Danger!

The pump must be powered via an earth-leakage circuit breaker (RCD) with a rated fault current of no more than 30 mA (according to VDE 0100 Part 702 and 738).

The equipment is not designed for use in swimming pools and paddling pools of any kind or other bodies of water in which people or animals may be present during operation. It is prohibited to operate the equipment if a person or animal is in the danger area. Ask your electrician!

- Before you put the equipment into operation, arrange for a specialist to check that the earthing, protective multiple earthing or residual-current operated circuit-breaker circuit comply with the safety regu-

lations of the power supply company and work correctly.

- The electrical plug-in connections must be protected from wet conditions.
- If there is a risk of flooding, place the plug-in connections in an area which is safe from flooding.
- Strictly avoid pumping aggressive liquids and abrasive substances.
- Protect the equipment from frost.
- Protect the equipment from dry running.
- Take suitable measures to keep the equipment out of the reach of children.
- There is a risk of the liquid becoming contaminated by escaping lubricant.

2. Layout and items supplied**2.1 Layout (Figs. 1/2/3)**

1. Universal hose connection
2. Suction plate
3. Integrated float switch
4. Handle
5. Suspension eye
6. Non-return valve

2.2 Items supplied

Please check that the article is complete as specified in the scope of delivery. If parts are missing, please contact our service center or the sales outlet where you made your purchase at the latest within 5 working days after purchasing the product and upon presentation of a valid bill of purchase. Also, refer to the warranty table in the service information at the end of the operating

instructions.

- Open the packaging and take out the equipment with care.
- Remove the packaging material and any packaging and/or transportation braces (if available).
- Check to see if all items are supplied.
- Inspect the equipment and accessories for transport damage.
- If possible, please keep the packaging until the end of the guarantee period.

Danger!

The equipment and packaging material are not toys. Do not let children play with plastic bags, foils or small parts. There is a danger of swallowing or suffocating!

- Clear water pump
- Universal hose connection
- Original operating instructions
- Non-return valve

3. Proper use

The equipment you have purchased is designed to pump water with a maximum temperature of 35 °C. This equipment must never be used for other liquids, especially not for engine fuels, cleaning agents and other chemically-based products!

Before you use the pump, clarify any possible special conditions which need to be fulfilled for the installation!

For example, additional safety measures may be needed if damage to property could result from a power failure, soiling or a defective gasket.

Examples of such safety measures:

Pumps running in parallel on a separately protected power circuit, moisture sensors for switching off the pumps, and similar safety arrangements.

Be sure to consult a professional plumber if you have any doubt.

The equipment can be used wherever you want to move water, e.g. in the house, in the garden, and for many other applications. It must not be used to operate swimming pools!

Please note:

As a rule, rain water and snow water have a low level of conductivity.

Consequently you should not use the pump unsupervised in pure rain water or snow water be-

cause of the risk of sensor malfunctions.

If you want to use the equipment in bodies of water with a natural, muddy bottom, place the equipment in a slightly elevated position, e.g. on bricks.

The equipment is not designed for continuous operation, e.g. as a circulating pump in a pond. In this case the equipment's anticipated life will be greatly shortened because the equipment was not designed for continuous loading.

The equipment is to be used only for its prescribed purpose. Any other use is deemed to be a case of misuse. The user / operator and not the manufacturer will be liable for any damage or injuries of any kind caused as a result of this.

Please note that our equipment has not been designed for use in commercial, trade or industrial applications. Our warranty will be voided if the machine is used in commercial, trade or industrial businesses or for equivalent purposes.

The water may be contaminated by escaping lubricating oil/lubricant.

4. Technical data

Mains connection	230 V ~ 50 Hz
Power consumption	430 W
Max. pumping rate	9000 l/h
Max. delivery head	8 m
Max. immersion depth	7 m
Max. water temperature	35°C
Hose connection: ..	approx. 47.8 mm (G 1½) AG
Max. size of foreign bodies:	Clean water
Suction height:	min. 1 mm
Protection	IPX8

5. Before starting the equipment

Before you connect the equipment to the mains supply make sure that the data on the rating plate are identical to the mains data.

5.1 Installation

The equipment can be installed either:

- Stationary with a rigid pipe line
- or
- Stationary with a flexible hose line

The equipment must be fastened to the suspension eyelet with a rope (Fig. 2/Item 5).

The maximum pumping rate is possible only with the largest possible line diameter; if smaller hoses or pipes are connected, the pumping rate will be reduced. If the universal hose connection (Fig. 1/Item 1) is used, it should be shortened (as shown in Fig. 3) to the connection actually used in order not to reduce the pumping rate unnecessarily. Flexible hoses must be fastened to the universal hose connection with a hose clip (not included in the scope of supply).

The non-return valve (Fig. 3/Item 6) prevents the water in the hose flowing back when the pump is switched off. The use of the non-return valve reduces the maximum delivery rate.

Water might escape from the ventilation opening during operation.

Note!

When installing, never hang the equipment by the discharge line or by the power cable. The equipment must be hung up by the provided carry handle or suspension eyelet, or it must rest on the bottom of the shaft. To ensure that the equipment works properly, the bottom of the shaft always must be free of sludge and other accumulations of dirt. If the water level is too low, the sludge in the shaft can quickly dry out and hinder the equipment from starting. It is necessary therefore to check the equipment regularly (carry out trial start-ups).

5.2 Mains connection

Danger!

The equipment you have purchased comes with an earthing-pin plug. The equipment is designed for connection to a socket outlet with earthing contact for 230 V ~ 50 Hz. Make sure that the socket-outlet is sufficiently fused (at least 6 A) and in good working order. Insert the power plug in the socket-outlet and the equipment is ready for operation.

6. Operation

6.1 Starting up

You can put the equipment into operation after you have thoroughly read the installation and operating instructions. Pay attention to the following points:

- Make sure that the equipment is set up securely.
- Check that the discharge line is fitted correctly.
- Make sure that the electrical connection is 230 V ~ 50 Hz.
- Check that the electrical socket-outlet is in good working order.
- Make sure that no moisture or water can ever reach the power connection.
- Make sure that the equipment does not run dry.
- To switch off the equipment, pull the power plug out of the socket outlet.

6.2 Operating mode (Fig. 4)

ON Manual mode

~ Autostart level 1: ON point 5 mm

≈ Autostart level 2: ON point 56 mm

≡ Autostart level 3: ON point 103 mm

6.3 Mode of operation of the integrated float switch

Application 1:

In ON mode the equipment will run continuously and the water can be sucked up down to a level of 1 mm. To prevent dry running, this operating mode is allowed only under supervision. The equipment must be switched off (pull out the power plug) as soon as no more water is emitted from the discharge line.

Please note:

For the equipment to suck up water in ON mode there must be a minimum depth of 5 mm of water!

Application 2:

The pump can be used in autostart mode for rising water levels. When the preset autostart level is reached, the pump starts automatically. Regardless of the selected autostart level, the pump will pump until 5 mm is left and will then

continue running on for a further 30 seconds before switching off automatically.

Please note:

The fact that it switches off automatically after 30 seconds will not prevent dry running! The water can be sucked up down to a level of 1 mm as a maximum.

When you use the pump in autostart mode make sure that the area for pumping is large enough. Use the non-return valve (6) in the universal hose connection (1) in autostart mode. The pump cannot be used in autostart level 1 (5 mm) in the case of small shafts or vessels. The pump will switch on repeatedly due to the small quantities of water flowing back out of the pump. Use a higher autostart level accordingly.

Application 3:

The pump can be used in autostart mode where the water level at the beginning is higher than the preset autostart level. Regardless of the selected autostart level, the pump will pump until 5 mm is left and will then continue running on for a further 30 seconds before switching off automatically.

Please note:

The fact that it switches off automatically after 30 seconds will not prevent dry running! The water can be sucked up down to a level of 1 mm as a maximum.

7. Replacing the power cable

Danger!

If the power cable for this equipment is damaged, it must be replaced by the manufacturer or its after-sales service or similarly trained personnel to avoid danger.

8. Cleaning, maintenance and ordering of spare parts

Danger!

Always pull out the mains power plug before starting any cleaning work.

8.1 Cleaning

- Keep all safety devices, air vents and the motor housing free of dirt and dust as far as possible. Wipe the equipment with a clean cloth or blow it with compressed air at low pressure.
- We recommend that you clean the device immediately each time you have finished using it.
- Clean the equipment regularly with a moist cloth and some soft soap. Do not use cleaning agents or solvents; these could attack the plastic parts of the equipment. Ensure that no water can seep into the device. The ingress of water into an electric tool increases the risk of an electric shock.

8.2 Cleaning the paddle wheel (Fig. 5/Item 2)

If a lot of deposits collect in the housing, the bottom part of the equipment must be dismantled as follows:

1. Detach the suction plate from the housing.
2. Clean the paddle wheel with clear water.
Caution! Do not put down or rest the equipment on the paddle wheel!
3. Assemble in reverse order.

8.3 Maintenance

There are no parts inside the equipment which require additional maintenance.

8.4 Ordering replacement parts:

Please quote the following data when ordering replacement parts:

- Type of machine
- Article number of the machine
- Identification number of the machine
- Replacement part number of the part required

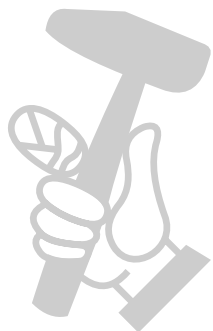
For our latest prices and information please go to www.Einhell-Service.com

9. Disposal and recycling

The equipment is supplied in packaging to prevent it from being damaged in transit. The raw materials in this packaging can be reused or recycled. The equipment and its accessories are made of various types of material, such as metal and plastic. Never place defective equipment in your household refuse. The equipment should be taken to a suitable collection center for proper disposal. If you do not know the whereabouts of such a collection point, you should ask in your local council offices.

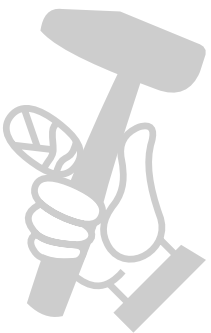
10. Storage

Store the equipment and accessories in a dark and dry place at above freezing temperature. The ideal storage temperature is between 5 and 30 °C. Store the electric tool in its original packaging.



11. Troubleshooting guide

Faults	Cause	Remedy
The equipment does not start	<ul style="list-style-type: none"> - Power supply not connected - Observe the autostart level 	<ul style="list-style-type: none"> - Check power supply - Turn the autostart level to the correct position
The equipment does not pump	<ul style="list-style-type: none"> - Intake sieve clogged - Discharge hose kinked 	<ul style="list-style-type: none"> - Clean intake sieve with water jet - Unkink the hose
The equipment does not cut out	<ul style="list-style-type: none"> - Observe the autostart level 	<ul style="list-style-type: none"> - Turn the autostart level to the correct position
Insufficient pumping rate	<ul style="list-style-type: none"> - Intake sieve clogged - Performance reduced due to heavily contaminated and abrasive water impurities 	<ul style="list-style-type: none"> - Clean intake sieve - Clean equipment and replace wear parts
The equipment switches off after briefly running	<ul style="list-style-type: none"> - Motor circuit-breaker switches the equipment off due to excessive water contamination - Water temperature too high; motor circuit-breaker switches the equipment off 	<ul style="list-style-type: none"> - Unplug power plug and clean equipment and shaft - Ensure that maximum permissible water temperature (35 °C) is not exceeded



Disposal

Power tools, rechargeable batteries, accessories and packaging should be sorted for environmental-friendly recycling.

Do not dispose of power tools and batteries/rechargeable batteries into household waste!

Only for EU countries:

According to the Directive 2012/19/EU on waste electrical and electronic equipment and its transposition into national law, power tools that are no longer usable, and, according to the Directive 2006/66/EC, defective or drained batteries must be collected separately and disposed of in an environmentally correct manner.

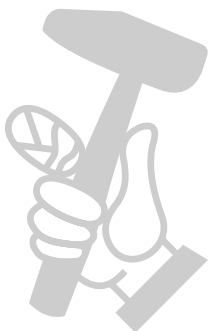
If disposed incorrectly, waste electrical and electronic equipment may have harmful effects on the environment and human health, due to the potential presence of hazardous substances.

Only for United Kingdom:

According to The Waste Electrical and Electronic Equipment Regulations 2013 (SI 2013/3113) (as amended) and the Waste Batteries and Accumulators Regulations 2009 (SI 2009/890) (as amended), products that are no longer usable must be collected separately and disposed of in an environmentally friendly manner.

The reprinting or reproduction by any other means, in whole or in part, of documentation and papers accompanying products is permitted only with the express consent of the Einhell Germany AG.

Subject to technical changes



Service information

We have competent service partners in all countries named on the guarantee certificate whose contact details can also be found on the guarantee certificate. These partners will help you with all service requests such as repairs, spare and wearing part orders or the purchase of consumables.

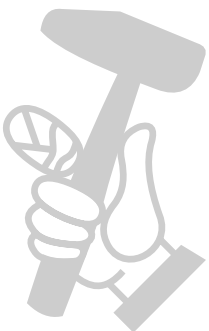
Please note that the following parts of this product are subject to normal or natural wear and that the following parts are therefore also required for use as consumables.

Category	Example
Wear parts*	Impeller
Consumables*	
Missing parts	

* Not necessarily included in the scope of delivery!

In the effect of defects or faults, please register the problem on the internet at www.Einhell-Service.com. Please ensure that you provide a precise description of the problem and answer the following questions in all cases:

- Did the equipment work at all or was it defective from the beginning?
- Did you notice anything (symptom or defect) prior to the failure?
- What malfunction does the equipment have in your opinion (main symptom)? Describe this malfunction.



Warranty certificate

Dear Customer,

All of our products undergo strict quality checks to ensure that they reach you in perfect condition. In the unlikely event that this equipment develops a fault, please contact our service department at the address shown on this guarantee card. You can also contact us by telephone using the service number shown. Please note the following terms under which guarantee claims can be made:

1. These guarantee terms apply solely to consumers, i.e. natural persons, who do not want to use this product in connection with either their commercial or other self-employed activities. These guarantee terms regulate additional guarantee services which the undermentioned manufacturer promises to buyers of its new products in addition to their statutory rights of guarantee. Your statutory rights of guarantee are not affected by this guarantee. Our guarantee is free of charge to you.
2. The guarantee services cover only defects due to material or manufacturing faults on the new product which you have bought in the European Union from the undermentioned manufacturer and are limited to either the rectification of said defects or the replacement of the product, whichever we prefer. Please note that only equipment under the brand name "Professional" has been designed for use in commercial, trade or professional applications. For all other products the guarantee is invalidated if the equipment is used within the guarantee period in commercial, trade or industrial applications or for other equivalent activities.
3. Our guarantee does not cover:
 - Damage to the equipment caused by failure to comply with the installation/assembly instructions or by unprofessional installation; damage caused by failure to comply with the operating instructions (e.g. connection to the wrong mains voltage or current type); damage caused by failure to comply with the maintenance and safety regulations; damage caused by exposing the equipment to abnormal environmental conditions; damage resulting from poor care and maintenance.
 - Damage to the equipment caused by misuse or incorrect applications (e.g. overloading the equipment or using non-approved attachments or accessories); damage caused by foreign bodies (e.g. sand, stones, dust, ...) getting inside the equipment. Damage in transit; damage caused by force or external influences (e.g. by dropping the equipment).
 - Damage to the equipment or parts of the equipment which is owed to use-related, normal or otherwise natural wear. For example, batteries and battery packs are manufactured with a cycle limit for design-related reasons. Wear is negatively influenced in particular by load demands and charging speeds as well as exposure to heat, cold, vibration and impact.
4. The guarantee is valid for a period of 2 years starting from the purchase date of the equipment. Guarantee claims must be submitted before the end of the guarantee period and within two weeks of the defect being noticed. No guarantee claims will be accepted after the end of the guarantee period. The original guarantee period remains applicable to the equipment even if repairs are carried out or parts are replaced. In such cases, the work performed or parts fitted will not result in an extension of the guarantee period, and no new guarantee will become active for the work performed or for any replacement parts fitted. This also applies if on-site service is used.
5. To assert your guarantee claim, register the defective equipment at: www.Einhell-Service.com. You will need to provide proof of purchase of the new item of equipment. Equipment returned without such proof or without a rating plate are excluded from the guarantee services because of the lack of traceability. If the defect is covered by our guarantee, then either the item in question will be repaired immediately and returned to you or we will send you a new replacement.
6. If you have taken the equipment with you to a different EU country than where you bought it, we will arrange for a local service partner to provide the guarantee services. If you take the equipment outside the EU, the guarantee will not apply.

Of course, we are also happy to offer a chargeable repair service for any defects which are not covered or no longer covered by the scope of this guarantee. To take advantage of this service, please send the equipment to our service address. We draw attention to the restrictions of this guarantee concerning wear parts, consumables and missing parts as presented in the service information included in this operating manual.

Warrantor/ Service:

Einhell UK Ltd, Unit 10, 1st Floor, Champion's Business Park, Arrowe Brook Road, Upton, Wirral, CH49 0UQ