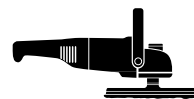
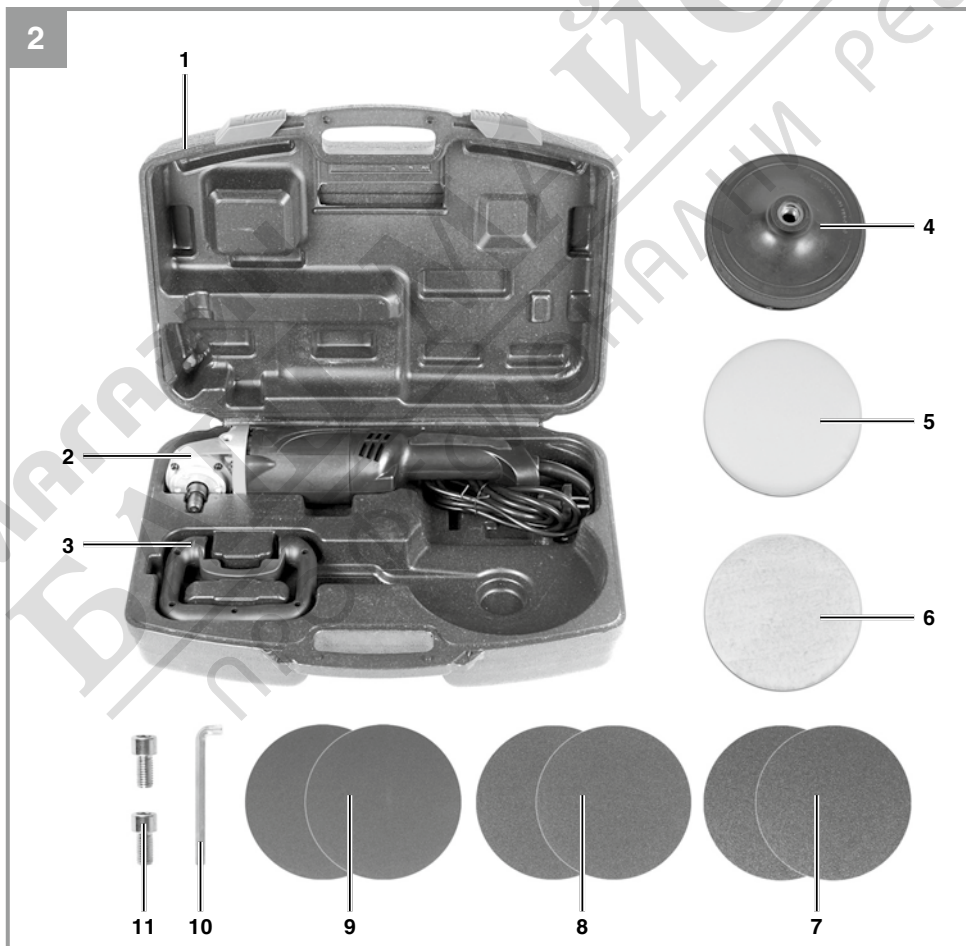
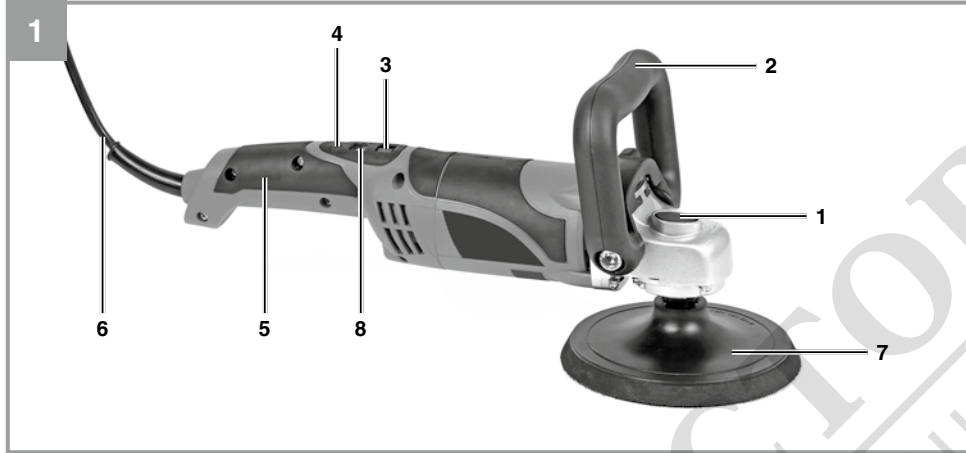
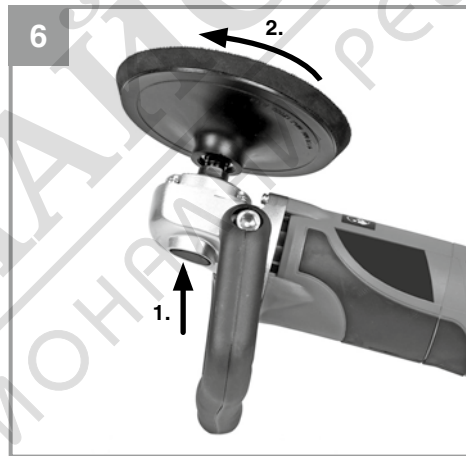
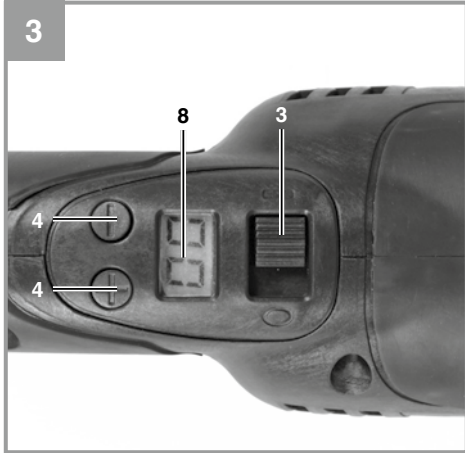
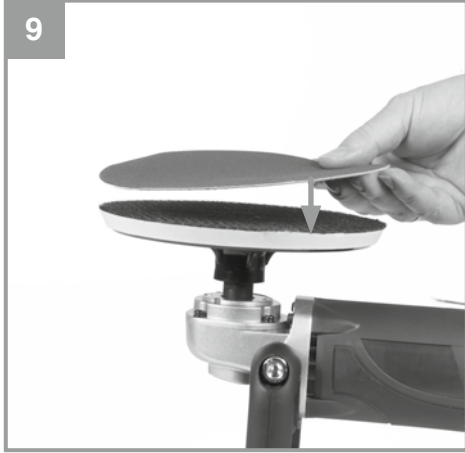


- D** Originalbetriebsanleitung
Polier- und Schleifmaschine
- GB** Original operating instructions
Polishing and sanding machine
- F** Instructions d'origine
Affuteuse et machine a polir
- I** Istruzioni per l'uso originali
Lucidatrice e smerigliatrice
- CZ** Originální návod k obsluze
Leštička a bruska
- SK** Originálny návod na obsluhu
Leštička a brúska
- NL** Originele handleiding
Polijst- en slijpmachine
- E** Manual de instrucciones original
Lijadora y pulidora
- H** Eredeti használati utasítás
Polírozó- és csiszológép

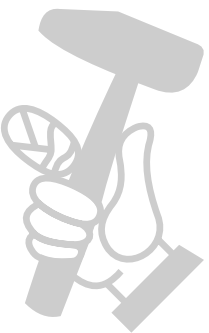
**Art.-Nr.: 20.932.75****I.-Nr.: 21021**







МАГАЗИН
БАШ МАЙСТОРА[®]
ПРОФЕСІОНАЛНИ РЕШЕННЯ





Danger! - Read the operating instructions to reduce the risk of injury



Caution! Wear ear-muffs. The impact of noise can cause damage to hearing.



Caution! Wear a breathing mask. Dust which is injurious to health can be generated when working on wood and other materials. Never use the device to work on any materials containing asbestos!




Caution! Wear safety goggles. Sparks generated during working or splinters, chips and dust emitted by the device can cause loss of sight.



Used to indicate electrical devices which have a double insulated housing and are therefore protection class II compliant.



Hazard statement: Risk of injury and risk of damage to the device.



This equipment is not allowed to be used by children. Children should be supervised so that they do not play with the equipment. Children are not allowed to carry out the cleaning or maintenance. This equipment is not allowed to be used by people with limited physical, sensory or mental capacities or by those with insufficient knowledge or experience unless they are supervised or instructed by a person who is responsible for them.

Danger!

When using the equipment, a few safety precautions must be observed to avoid injuries and damage. Please read the complete operating instructions and safety regulations with due care. Keep this manual in a safe place, so that the information is available at all times. If you give the equipment to any other person, hand over these operating instructions and safety regulations as well. We cannot accept any liability for damage or accidents which arise due to a failure to follow these instructions and the safety instructions.

1. Safety regulations

The corresponding safety information can be found in the enclosed booklet.

Danger!**Read all safety regulations and instructions.**

Any errors made in following the safety regulations and instructions may result in an electric shock, fire and/or serious injury.

Keep all safety regulations and instructions in a safe place for future use.

2. Layout and items supplied**2.1 Layout (Fig. 1)**

1. Spindle lock
2. Front grip
3. ON/OFF switch
4. Speed control
5. Rear grip
6. Power cord
7. Polishing / sanding disk
8. Speed indicator

2.2 Items supplied (Fig. 2)

Please check that the article is complete as specified in the scope of delivery. If parts are missing, please contact our service center or the sales outlet where you made your purchase at the latest within 5 working days after purchasing the product and upon presentation of a valid bill of purchase. Also, refer to the warranty table in the service information at the end of the operating instructions.

- Open the packaging and take out the equipment with care.
- Remove the packaging material and any packaging and/or transportation braces (if available).

- Check to see if all items are supplied.
- Inspect the equipment and accessories for transport damage.
- If possible, please keep the packaging until the end of the guarantee period.

Danger!

The equipment and packaging material are not toys. Do not let children play with plastic bags, foils or small parts. There is a danger of swallowing or suffocating!

1. Storage case
 2. Sanding and polishing machine
 3. Additional handle
 4. Polishing / sanding disk
 5. Foamed plastic attachment
 6. Synthetic polishing attachment
 7. Sanding attachment K = 60 (2 pcs)
 8. Sanding attachment K = 80 (2 pcs)
 9. Sanding attachment K = 120 (2 pcs)
 10. Hex wrench 8 mm
 11. Hexagon socket screw M 10 x 20 mm (2 pcs)
- Original operating instructions
 - Safety instructions

3. Proper use

The machine is designed for polishing coated surfaces and for sanding wood, plastic and similar materials using the appropriate abrasive paper. The abrasive paper which is included with the product is for sanding wood.

The equipment is to be used only for its prescribed purpose. Any other use is deemed to be a case of misuse. The user / operator and not the manufacturer will be liable for any damage or injuries of any kind caused as a result of this.

Improper use

All applications with the device which are not stated in the chapter "Intended use" are deemed to be contrary to the intended use.

The device must not be used for the following purposes:

- Work on lightweight partition walls (drywalls) and other surfaces containing plaster, cement, foam, mineral fiber and silicate.
- Work on metals involving the generation of metal dust.
- Working on coatings containing lead and working on types of wood and metal which

- generate harmful or toxic dust
- Sharpening, engraving with corresponding attachments
- Working on materials containing asbestos
- Use in areas where there is a risk of explosion
- Sanding on damp walls

There is a risk of injury.

The user of the device is liable for all damage to property and personal injuries arising as a result of incorrect use.

If any other components or non-original components are used on the machine, the manufacturer's guarantee shall become void.

Please note that our equipment has not been designed for use in commercial, trade or industrial applications. Our warranty will be voided if the machine is used in commercial, trade or industrial businesses or for equivalent purposes.

Residual risks

Even if you use this electric power tool in accordance with instructions, certain residual risks cannot be ruled out. The following hazards may arise in connection with the equipment's construction and layout:

- Contact with the unguarded wheel (injuries through cutting)
- Reaching into the wheel while it is still rotating (injuries through cutting)
- Catapulting of parts of the wheel (injuries through cutting or bruising)
- Catapulting of parts of the material being processed (injuries through cutting or bruising)
- Risk of fire from flying sparks
- Damage to hearing if the compulsory hearing protection is not used (hearing loss)
- Inhalation of abrasive particles from the material and wheel
- Electric shock upon contact with non-insulated electrical parts

If the instructions listed in the operating instructions are not adhered to, improper handling of the equipment may result in other residual risks

4. Technical data

Voltage: 230 V ~ 50 Hz
 Power rating: 1100 W
 Speed n: 1000-3500 min⁻¹
 Polishing / sanding disk diameter: 150 mm

Connection thread: M14
 Protection class: II/□
 Weight: 2.6 kg

Danger!

Sound and vibration

Sound and vibration values were measured in accordance with EN 60745.

L_{pA} sound pressure level 88 dB(A)
 K_{pA} uncertainty 3 dB
 L_{WA} sound power level 99 dB(A)
 K_{WA} uncertainty 3 dB

Wear ear-muffs.

The impact of noise can cause damage to hearing.

Total vibration values (vector sum of three directions) determined in accordance with EN 60745.

Operating mode: Sanding with sanding paper

Vibration emission value a_{h,DS} = 12.86 m/s²
 K uncertainty = 1.5 m/s²

Operating mode: Polishing

Vibration emission value a_{h,P} = 8.96 m/s²
 K uncertainty = 1.5 m/s²

The specified vibration value was established in accordance with a standardized testing method. It may change according to how the electric equipment is used and may exceed the specified value in exceptional circumstances.

The specified vibration value can be used to compare the equipment with other electric power tools.

The specified vibration value can be used for initial assessment of a harmful effect.

Keep the noise emissions and vibrations to a minimum.

- Only use appliances which are in perfect working order.
- Service and clean the appliance regularly.
- Adapt your working style to suit the appliance.
- Do not overload the appliance.
- Have the appliance serviced whenever necessary.
- Switch the appliance off when it is not in use.
- Wear protective gloves.

- Fit the handles and, if applicable, the optional anti-vibration handles securely to the machine body.

If you experience an unpleasant feeling or skin discoloration on your hands while using the machine, stop your work immediately. Take adequate breaks from your work. If you do not take adequate breaks from your work, you could develop hand-arm vibration syndrome.

You should evaluate the level of strain in relation to the work involved and the use of the machine and take adequate work breaks accordingly. This will enable you to significantly reduce the level of strain over the whole period of work. Minimize the risk to which you are exposed from vibrations. Look after this machine with care in accordance with the operating instructions.

If the machine is deployed or used often, you should consult your dealer and possibly consider obtaining anti-vibration accessories (handles). Do not use the machine at temperatures of $t=10^{\circ}\text{C}$ or lower. Think out a work plan which enables you to limit your exposure to vibrations.

A certain level of noise nuisance is inevitable with this equipment. Carry out noise-intensive jobs at times that are acceptable and allowed. Where applicable, observe rest periods and restrict your working time to a minimum. Suitable ear protection must be worn for your own safety and for the safety of others nearby.

5. Before starting the equipment

Before you connect the equipment to the mains supply make sure that the data on the rating plate are identical to the mains data.

Warning!

Always pull the power plug before making adjustments to the equipment.

Assembly (Fig. 4-6)

Important! Pull out the mains power plug before starting the assembly work.

Only press the spindle lock once the machine is stopped.

6. Operation

Secure your workpiece. Make sure that the workpiece is held securely by a clamping device or a vise.

Switching the equipment ON/OFF

The equipment is turned on (I) and off (O) with the ON/OFF switch (Fig. 3 / Item 3). However, the equipment will only start running after the speed control has been activated (see section 6.3).

Before switching off, lift the machine off the surface to be worked.

6.1 Using as a polishing machine

Only use special waxing and polishing agents suitable for the machine.

When using waxing and polishing agents, observe the instructions issued by their manufacturer!

The Hook-and-Loop fastener enables easy changing of the polishing attachment.

CAUTION!

To prevent damage to the surfaces of the workpieces you wish to polish, make sure that you observe the following instructions:

- Wash the vehicle before polishing, and keep it free of any foreign bodies.
- Make sure that the polishing attachment supplied is free of any foreign bodies when being used.
- Make sure that the polishing attachment is always mounted precisely in the center of the sanding/grinding disk.
- Before you start the equipment, check to ensure that the attachments are securely fitted.
- Never touch the area you wish to polish with the edge of the sanding/grinding disk.
- To polish, select the speed required for your purposes using the speed controller (see section 6.3). The optimum working speed depends on the material to be worked and the (polishing) agent used. If necessary, this can be established by conducting practical tests.
- The polishing machine must lie fully on the surface to be polished.
- Mask plastic parts, since these change color when polished and can become unattractive in appearance.
- Only polish in the shade, and never polish hot paint.

- Polish corners and edges very carefully. The paint layer is thinnest at corners and edges. As a precaution, you can mask these and polish them by hand.
- Excessive pressure results in poor performance and early wearing of the accessory used. Sensitive surfaces may be damaged e.g. due to excessive speed or too high a contact pressure.

Important! Adjust the speed to the surface to be worked **before** applying the machine to it and allow the machine to run up to the selected speed. Depending on the speed, this may take a few seconds. Particularly when working with the foam plastic pad, the speed may fluctuate due to different surface qualities (different friction) in the lower speed ranges. This is not an equipment defect.

Use the foam plastic pad to apply the polishing agent (Fig. 7).

- Place the extension cable over your shoulder and first polish the flat and large surfaces, such as the engine hood, trunk lid and roof.
- Spread a little polish at points over the foam plastic pad. Press the foam plastic pad onto the surface to be polished several times. The polish is pressed into the foam plastic pad and transferred onto the surface to be polished. This prevents the polish on the foam plastic pad from being sprayed around when the machine is switched on.
- Apply the polish at low speed.
- Only work smaller sections in one go.
- Work the sections evenly, crosswise and lengthwise (first vertically, then horizontally).
- Then move on to working the smaller areas (e.g. doors).

Final polishing

- Use the synthetic polishing pad (Fig. 8) to remove the layer of polishing agent and to complete the polishing process.
- **Important!** Do not apply any pressure to the polishing machine!

Care tips

- For optimum paintwork protection, you should polish your car 2 to 3 times a year.
- Wash your car at least every 2 weeks. Avoid using household detergents as these can damage the paintwork and remove the layer of wax.
- Wash your car with a clean sponge, working from top to bottom.

- Remove all insects, bird droppings and tar stains from the paintwork daily.
- If you use any window-cleaning agents, spray them onto a cloth and not directly onto the windows in order to prevent them wetting the paintwork.

6.2 Using as a sanding machine

Use the supplied sanding attachments (Fig. 9) for sanding purposes.

The Velcro fastener enables easy changing of the sanding attachments.

- Place the whole surface area of the sanding disk on the material.
- Switch on the machine and move it with gentle pressure over the workpiece completely circular movements or moving it to and fro and up and down.
- Use a coarse paper for coarse sanding and a finer paper for finish sanding. You can find the best paper for the job by means of testing.

6.3 Speed Control Display (Fig. 3)

Use the speed control to set the desired working speed.

Press the “+” button to increase the speed.

Press the “-” button to decrease the speed.

Refer to the display (8) for the set speed. Set speed = Display x 100

Important! Adjust the speed to the surface to be worked before applying the machine, and allow the machine to run up to the selected speed. Depending on the speed, this may take a few seconds.

7. Replacing the power cable

Danger!

If the power cable for this equipment is damaged, it must be replaced by the manufacturer or its after-sales service or similarly trained personnel to avoid danger.

8. Cleaning, maintenance and ordering of spare parts

Danger!

Always pull out the mains power plug before starting any cleaning work.

8.1 Cleaning

- Keep all safety devices, air vents and the motor housing free of dirt and dust as far as possible. Wipe the equipment with a clean cloth or blow it with compressed air at low pressure.
- We recommend that you clean the device immediately each time you have finished using it.
- Clean the equipment regularly with a moist cloth and some soft soap. Do not use cleaning agents or solvents; these could attack the plastic parts of the equipment. Ensure that no water can seep into the device. The ingress of water into an electric tool increases the risk of an electric shock.
- Wash the polishing attachments only by hand and let them air-dry. Use only a mild soap and a damp cloth.

8.2 Carbon brushes

In case of excessive sparking, have the carbon brushes checked only by a qualified electrician.

Danger! The carbon brushes should not be replaced by anyone but a qualified electrician.

8.3 Maintenance

There are no parts inside the equipment which require additional maintenance.

8.4 Ordering replacement parts:

Please quote the following data when ordering replacement parts:

- Type of machine
- Article number of the machine
- Identification number of the machine
- Replacement part number of the part required

For our latest prices and information please go to www.Einhell-Service.com

9. Disposal and recycling

The equipment is supplied in packaging to prevent it from being damaged in transit. The raw materials in this packaging can be reused or recycled. The equipment and its accessories are made of various types of material, such as metal and plastic. Never place defective equipment in your household refuse. The equipment should be taken to a suitable collection center for proper disposal. If you do not know the whereabouts of such a collection point, you should ask in your local council offices.

10. Storage

Store the equipment and accessories in a dark and dry place at above freezing temperature. The ideal storage temperature is between 5 and 30 °C. Store the electric tool in its original packaging.





For EU countries only

Never place any electric power tools in your household refuse.

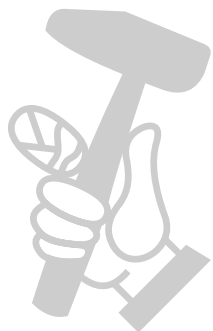
To comply with European Directive 2012/19/EC concerning old electric and electronic equipment and its implementation in national laws, old electric power tools have to be separated from other waste and disposed of in an environment-friendly fashion, e.g. by taking to a recycling depot.

Recycling alternative to the return request:

As an alternative to returning the equipment to the manufacturer, the owner of the electrical equipment must make sure that the equipment is properly disposed of if he no longer wants to keep the equipment. The old equipment can be returned to a suitable collection point that will dispose of the equipment in accordance with the national recycling and waste disposal regulations. This does not apply to any accessories or aids without electrical components supplied with the old equipment.

The reprinting or reproduction by any other means, in whole or in part, of documentation and papers accompanying products is permitted only with the express consent of the Einhell Germany AG.

Subject to technical changes



Service information

We have competent service partners in all countries named on the guarantee certificate whose contact details can also be found on the guarantee certificate. These partners will help you with all service requests such as repairs, spare and wearing part orders or the purchase of consumables.

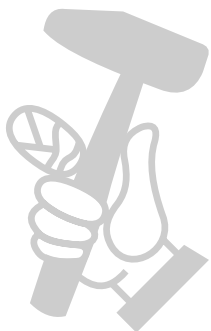
Please note that the following parts of this product are subject to normal or natural wear and that the following parts are therefore also required for use as consumables.

| Category | Example |
|---------------|---|
| Wear parts* | carbon brushes |
| Consumables* | Grinding wheels, polishing attachments, polishing bonnets |
| Missing parts | |

* Not necessarily included in the scope of delivery!

In the effect of defects or faults, please register the problem on the internet at www.Einhell-Service.com. Please ensure that you provide a precise description of the problem and answer the following questions in all cases:

- Did the equipment work at all or was it defective from the beginning?
- Did you notice anything (symptom or defect) prior to the failure?
- What malfunction does the equipment have in your opinion (main symptom)?
Describe this malfunction.



Warranty certificate

Dear Customer,

All of our products undergo strict quality checks to ensure that they reach you in perfect condition. In the unlikely event that your device develops a fault, please contact our service department at the address shown on this guarantee card. You can also contact us by telephone using the service number shown. Please note the following terms under which guarantee claims can be made:

1. These guarantee terms apply to consumers only, i.e. natural persons intending to use this product neither for their commercial activities nor for any other self-employed activities. These warranty terms regulate additional warranty services, which the manufacturer mentioned below promises to buyers of its new products in addition to their statutory rights of guarantee. Your statutory guarantee claims are not affected by this guarantee. Our guarantee is free of charge to you.
2. The warranty services cover only defects due to material or manufacturing faults on a product which you have bought from the manufacturer mentioned below and are limited to either the rectification of said defects on the product or the replacement of the product, whichever we prefer.
Please note that our devices are not designed for use in commercial, trade or professional applications. A guarantee contract will not be created if the device has been used by commercial, trade or industrial business or has been exposed to similar stresses during the guarantee period.
3. The following are not covered by our guarantee:
 - Damage to the device caused by a failure to follow the assembly instructions or due to incorrect installation, a failure to follow the operating instructions (for example connecting it to an incorrect mains voltage or current type) or a failure to follow the maintenance and safety instructions or by exposing the device to abnormal environmental conditions or by lack of care and maintenance.
 - Damage to the device caused by abuse or incorrect use (for example overloading the device or the use of unapproved tools or accessories), ingress of foreign bodies into the device (such as sand, stones or dust, transport damage), the use of force or damage caused by external forces (for example by dropping it).
 - Damage to the device or parts of the device caused by normal or natural wear or tear or by normal use of the device.
4. The guarantee is valid for a period of 24 months starting from the purchase date of the device. Guarantee claims should be submitted before the end of the guarantee period within two weeks of the defect being noticed. No guarantee claims will be accepted after the end of the guarantee period. The original guarantee period remains applicable to the device even if repairs are carried out or parts are replaced. In such cases, the work performed or parts fitted will not result in an extension of the guarantee period, and no new guarantee will become active for the work performed or parts fitted. This also applies if an on-site service is used.
5. To make a claim under the guarantee, please register the defective device at: www.Einhell-Service.com. Please keep your bill of purchase or other proof of purchase for the new device. Devices that are returned without proof of purchase or without a rating plate shall not be covered by the guarantee, because appropriate identification will not be possible. If the defect is covered by our guarantee, then the item in question will either be repaired immediately and returned to you or we will send you a new replacement.

Of course, we are also happy offer a chargeable repair service for any defects which are not covered by the scope of this guarantee or for units which are no longer covered. To take advantage of this service, please send the device to our service address.

Also refer to the restrictions of this warranty concerning wear parts, consumables and missing parts as set out in the service information in these operating instructions.

