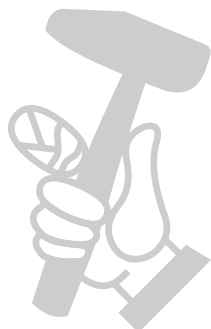


D	Originalbetriebsanleitung Bohrhammer	SLO	Originalna navodila za uporabo Vrtalno kladivo
GB	Original operating instructions Rotary Hammer	H	Eredeti használati utasítás Fúrókalapács
F	Instructions d'origine Marteau perforateur	RO	Instrucțiuni de utilizare originale Ciocan rotopercurtor
I	Istruzioni per l'uso originali Martello perforatore	GR	Πρωτότυπες Οδηγίες χρήσης Σφυροτρύπανο
DK/ N	Original betjeningsvejledning Borehammer	P	Manual de instruções original Martelo perfurador
S	Original-bruksanvisning Borrhammare	HR/ BIH	Originalne upute za uporabu Čekić za bušenje
CZ	Originální návod k obsluze Vrtací kladivo	RS	Originalna uputstva za upotrebu Čekić za bušenje
SK	Originálny návod na obsluhu Vrtacie kladivo	PL	Instrukcją oryginalną Młot udarowy
NL	Originele handleiding Boorhamer	TR	Orijinal Kullanma Talimatı Kırıcı delici
E	Manual de instrucciones original Taladro percutor	EE	Originaalkasutusjuhend Lööktrell
FIN	Alkuperäiskäyttöohje Poravasara		

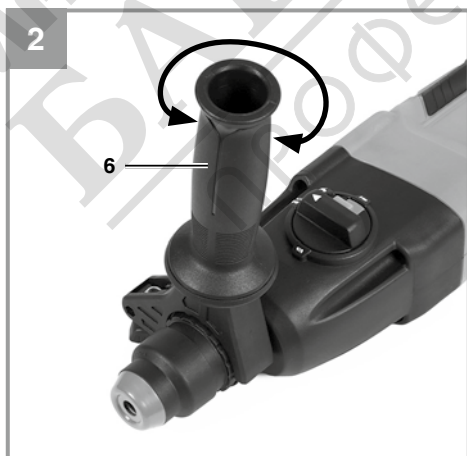


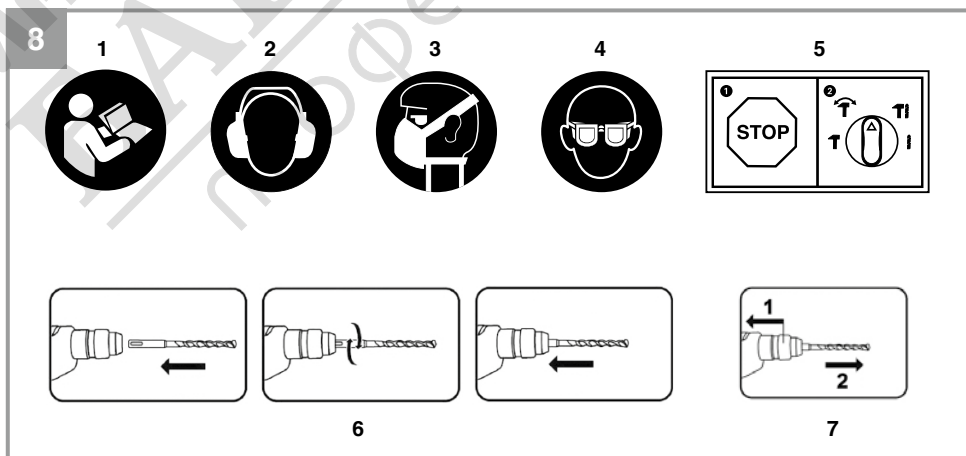
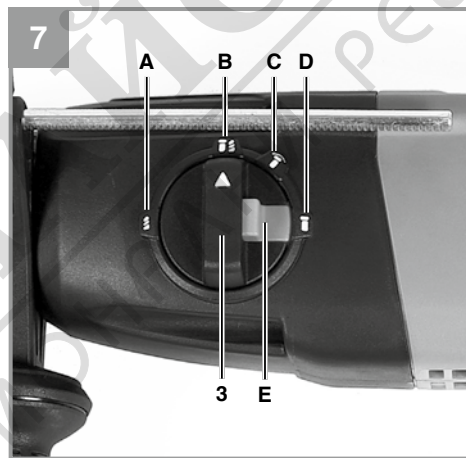
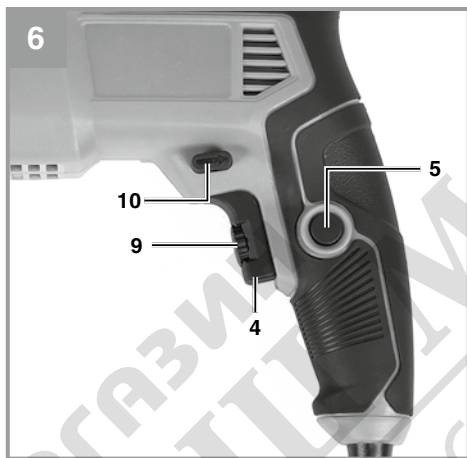
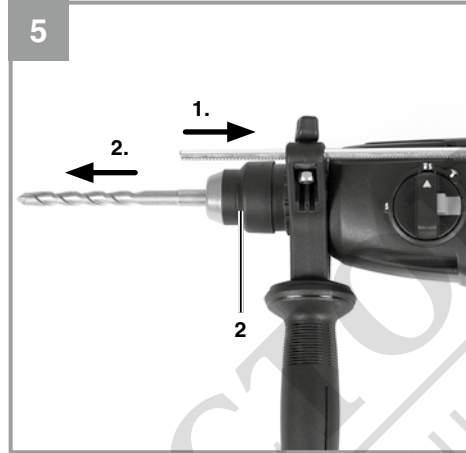
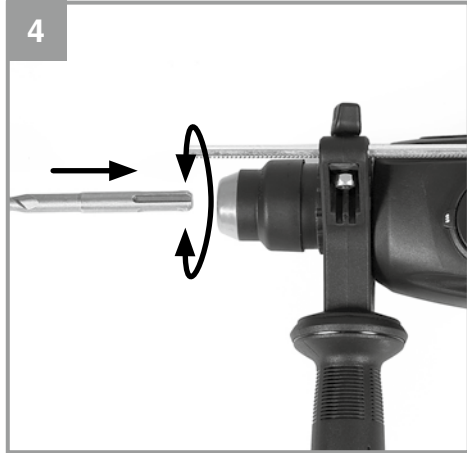
13



Art.-Nr.: 42.579.90

I.-Nr.: 21023





Danger!

When using the equipment, a few safety precautions must be observed to avoid injuries and damage. Please read the complete operating instructions and safety regulations with due care. Keep this manual in a safe place, so that the information is available at all times. If you give the equipment to any other person, hand over these operating instructions and safety regulations as well. We cannot accept any liability for damage or accidents which arise due to a failure to follow these instructions and the safety instructions.

Explanation of the symbols used (see Fig. 8)

1. **Danger!** - Read the operating instructions to reduce the risk of injury.
2. **Caution! Wear ear-muffs.** The impact of noise can cause damage to hearing.
3. **Caution! Wear a breathing mask.** Dust which is injurious to health can be generated when working on wood and other materials. Never use the device to work on any materials containing asbestos!
4. **Caution! Wear safety goggles.** Sparks generated during working or splinters, chips and dust emitted by the device can cause loss of sight.
5. Select between the individual functions only when the equipment is at a standstill. If you fail to observe this point, the equipment may be damaged.
6. Turn and push the SDS-Plus drill bit into the tool chuck as far as it will go. The tool will lock automatically.
7.
 1. Pull back and hold the locking sleeve!
 2. Remove the tool!

1. Safety regulations

The corresponding safety information can be found in the enclosed booklet.

Danger!**Read all safety regulations and instructions.**

Any errors made in following the safety regulations and instructions may result in an electric shock, fire and/or serious injury.

Keep all safety regulations and instructions in a safe place for future use.

2. Layout and items supplied**2.1 Layout (Fig. 1)**

1. Dust guard
2. Locking sleeve
3. Selector switch for drill/hammer drill/chisel
4. ON/OFF switch
5. Locking button
6. Additional handle
7. Depth stop
8. Handle
9. Speed controller
10. Clockwise/Counter-clockwise switch

2.2 Items supplied

Please check that the article is complete as specified in the scope of delivery. If parts are missing, please contact our service center or the sales outlet where you made your purchase at the latest within 5 working days after purchasing the product and upon presentation of a valid bill of purchase. Also, refer to the warranty table in the service information at the end of the operating instructions.

- Open the packaging and take out the equipment with care.
- Remove the packaging material and any packaging and/or transportation braces (if available).
- Check to see if all items are supplied.
- Inspect the equipment and accessories for transport damage.
- If possible, please keep the packaging until the end of the guarantee period.

Danger!

The equipment and packaging material are not toys. Do not let children play with plastic bags, foils or small parts. There is a danger of swallowing or suffocating!

- Hammer drill
- Additional handle
- Depth stop
- Original operating instructions
- Safety instructions


3. Proper use

The tool is designed for drilling with hammer action in concrete, rock and brick, as well as for chiseling work, always using the respective correct drill or chisel bit.

The equipment is to be used only for its prescribed purpose. Any other use is deemed to be a case of misuse. The user / operator and not the manufacturer will be liable for any damage or injuries of any kind caused as a result of this.

Please note that our equipment has not been designed for use in commercial, trade or industrial applications. Our warranty will be voided if the machine is used in commercial, trade or industrial businesses or for equivalent purposes.

4. Technical data

Mains voltage: 230-240 V ~ 50 Hz
 Power input: 620 W
 Idling speed: 0-1250 rpm
 Blow rate: 0-5200 rpm
 Drilling capacity in concrete/stone (max.): 20 mm
 Protection class: II / 
 Weight: 2.8 kg

Danger!

Sound and vibration

Sound and vibration values were measured in accordance with EN 62841.

L_{pA} sound pressure level 92.81 dB(A)
 K_{pA} uncertainty 3 dB
 L_{WA} sound power level 103.81 dB(A)
 K_{WA} uncertainty 3 dB

Wear ear-muffs.

The impact of noise can cause damage to hearing.

Total vibration values (vector sum of three directions) determined in accordance with EN 62841.

Hammer drilling in concrete

Vibration emission value $a_{h,HD} = 12.50 \text{ m/s}^2$
 K uncertainty = 1.5 m/s^2

Chiseling

Vibration emission value $a_{h,cheq} = 18.0 \text{ m/s}^2$
 K uncertainty = 1.5 m/s^2

The specified vibration value was established in accordance with a standardized testing method. It may change according to how the electric equipment is used and may exceed the specified value in exceptional circumstances.

The specified vibration value can be used to compare the equipment with other electric power tools.

The specified vibration value can be used for initial assessment of a harmful effect.

Keep the noise emissions and vibrations to a minimum.

- Only use appliances which are in perfect working order.
- Service and clean the appliance regularly.
- Adapt your working style to suit the appliance.
- Do not overload the appliance.
- Have the appliance serviced whenever necessary.
- Switch the appliance off when it is not in use.

Caution!

Residual risks

Even if you use this electric power tool in accordance with instructions, certain residual risks cannot be ruled out. The following hazards may arise in connection with the equipment's construction and layout:

1. Lung damage if no suitable protective dust mask is used.
2. Damage to hearing if no suitable ear protection is used.
3. Health damage caused by hand-arm vibrations if the equipment is used over a prolonged period or is not properly guided and maintained.

5. Before starting the equipment

Before you connect the equipment to the mains supply make sure that the data on the rating plate are identical to the mains data.

Warning!

Always pull the power plug before making adjustments to the equipment.

Check the drilling point for concealed electrical cables, gas and water pipes using a cable/pipe detector.

5.1 Additional handle (Fig. 2 – Item 6)

For safety reasons you must only use the hammer drill with the additional handle.

The additional handle (6) enables you to achieve better stability whilst using the hammer drill. The

machine must not be used without the additional handle (6) for safety reasons.

The additional handle (6) is secured to the hammer drill by a clamp. Turning the handle anti-clockwise (looking from the handle) will release the clamp. Turning the handle clockwise will tighten the clamp.

First release the additional handle clamp. You can then swing the additional handle (6) into the most comfortable working position for you. Now turn the additional handle in the opposite direction again until the additional handle is secure.

5.2 Depth stop (Fig. 3 – Item 7)

The depth stop (7) is held in place with the locking screw (a) on the additional handle (6) by means of a clamp.

- Undo the locking screw (a) and fit the depth stop (7).
- Set the depth stop (7) to the same level as the drill bit.
- Pull the depth stop (7) back by the required drilling depth.
- Retighten the locking screw (a).
- Now drill the hole until the depth stop (7) touches the workpiece.

5.3 Tool insertion (Fig. 4)

- Clean the tool before insertion and apply a thin coating of drill bit grease to the shaft of the tool.
- Insert the dust-free tool into the tool mounting as far as it will go whilst turning it. The tool will lock itself.
- Check that it is properly secure by pulling the tool.

5.4 Tool removal (Fig. 5)

Pull back and hold the locking sleeve (2) and remove the tool.

6. Operation

Danger

To prevent all danger, the machine must only be held using the two handles (6/8). Otherwise there may be a risk of suffering an electric shock if you drill into cables.

6.1 ON/OFF switch (Fig. 6/Item 4)

- First fit a suitable drill bit into the tool (see 5.3).
- Connect the mains plug to a suitable socket.

- Position the drill in the position you wish to drill.

To switch on:

Press the ON/OFF switch (4)

Continuous operation:

Secure the ON/OFF switch (4) with the locking button (5).

To switch off:

Press the ON/OFF switch (4) briefly.

6.2 Adjusting the speed (Fig. 6/Item 4)

- You can infinitely vary the speed whilst using the tool.
- Select the speed by applying a greater or lesser pressure to the ON/OFF switch (4).
- Select the correct speed: The most suitable speed depends on the workpiece, the type of use and the drill bit used.
- Low pressure on the ON/OFF switch (4): Lower speed
- Greater pressure on the ON/OFF switch (4): Higher speed
- Tip: Start drilling holes at low speed. Then increase the speed in stages.

Benefits:

- The drill bit is easier to control when starting the hole and will not slide away.
- You avoid drilling messy holes (for example in tiles).

6.3 Preselecting the speed (Fig. 6/Item 9)

- The speed setting ring (9) enables you to define the maximum speed. The ON/OFF switch (4) can only be pressed to the defined maximum speed setting.
- Set the speed using the setting ring (9) on the ON/OFF switch (4).
- Do not attempt to make this setting whilst the drill is in use.

6.4 Clockwise/Counter-clockwise switch (Fig. 6/Item 10)

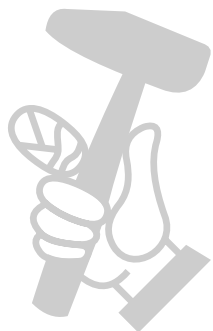
- Change switch position only when the drill is at a standstill!
- Switch the direction of the hammer drill using the clockwise/counter-clockwise switch (10):

Direction

Clockwise
(forwards and drill)

Switch position

Pushed in to the right



Counter-clockwise
(reverse)

Pushed in to the left

6.5 Drill / Hammer drill / Chisel selector switch (Fig. 7)

- For drilling, press the button (E) on the rotary switch (3) and simultaneously turn the rotary switch (3) to position A.
- For hammer drilling, press the button (E) on the rotary switch (3) and simultaneously turn the rotary switch (3) to position B.
- For chiseling, press the button (E) on the rotary switch (3) and simultaneously turn the rotary switch (3) to position C. In switch position C the chisel is not locked.
- For chiseling, press the button (E) on the rotary switch (3) and simultaneously turn the rotary switch (3) to position D. The chisel is locked in position D.

Notice

Only low pressure is required for hammer drilling. Excessive pressure will exert an unnecessary force on the motor. Check the drill bits at regular intervals. Sharpen or replace blunt drill bits.

7. Replacing the power cable

Danger!

If the power cable for this equipment is damaged, it must be replaced by the manufacturer or its after-sales service or similarly trained personnel to avoid danger.

8. Cleaning, maintenance and ordering of spare parts

Danger!

Always pull out the mains power plug before starting any cleaning work.

8.1 Cleaning

- Keep all safety devices, air vents and the motor housing free of dirt and dust as far as possible. Wipe the equipment with a clean cloth or blow it with compressed air at low pressure.
- We recommend that you clean the device immediately each time you have finished using it.
- Clean the equipment regularly with a moist cloth and some soft soap. Do not use

cleaning agents or solvents; these could attack the plastic parts of the equipment. Ensure that no water can seep into the device. The ingress of water into an electric tool increases the risk of an electric shock.

8.2 Carbon brushes

In case of excessive sparking, have the carbon brushes checked only by a qualified electrician. **Danger!** The carbon brushes should not be replaced by anyone but a qualified electrician.

8.3 Maintenance

There are no parts inside the equipment which require additional maintenance.

8.4 Ordering replacement parts:

Please quote the following data when ordering replacement parts:

- Type of machine
- Article number of the machine
- Identification number of the machine
- Replacement part number of the part required

For our latest prices and information please go to www.Einhell-Serice.com

9. Disposal and recycling

The equipment is supplied in packaging to prevent it from being damaged in transit. The raw materials in this packaging can be reused or recycled. The equipment and its accessories are made of various types of material, such as metal and plastic. Never place defective equipment in your household refuse. The equipment should be taken to a suitable collection center for proper disposal. If you do not know the whereabouts of such a collection point, you should ask in your local council offices.

10. Storage

Store the equipment and accessories in a dark and dry place at above freezing temperature. The ideal storage temperature is between 5 and 30 °C. Store the electric tool in its original packaging.



Disposal

Power tools, rechargeable batteries, accessories and packaging should be sorted for environmental-friendly recycling.

Do not dispose of power tools and batteries/rechargeable batteries into household waste!

Only for EU countries:

According to the Directive 2012/19/EU on waste electrical and electronic equipment and its transposition into national law, power tools that are no longer usable, and, according to the Directive 2006/66/EC, defective or drained batteries must be collected separately and disposed of in an environmentally correct manner.

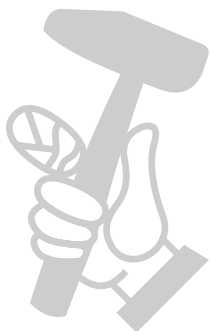
If disposed incorrectly, waste electrical and electronic equipment may have harmful effects on the environment and human health, due to the potential presence of hazardous substances.

Only for United Kingdom:

According to The Waste Electrical and Electronic Equipment Regulations 2013 (SI 2013/3113) (as amended) and the Waste Batteries and Accumulators Regulations 2009 (SI 2009/890) (as amended), products that are no longer usable must be collected separately and disposed of in an environmentally friendly manner.

The reprinting or reproduction by any other means, in whole or in part, of documentation and papers accompanying products is permitted only with the express consent of the Einhell Germany AG.

Subject to technical changes



Service information

We have competent service partners in all countries named on the guarantee certificate whose contact details can also be found on the guarantee certificate. These partners will help you with all service requests such as repairs, spare and wearing part orders or the purchase of consumables.

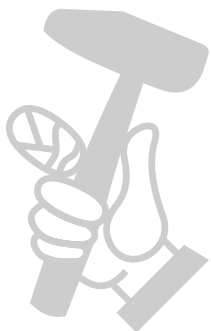
Please note that the following parts of this product are subject to normal or natural wear and that the following parts are therefore also required for use as consumables.

Category	Example
Wear parts*	Carbon brushes, chuck
Consumables*	Drill bits, chisels
Missing parts	

* Not necessarily included in the scope of delivery!

In the effect of defects or faults, please register the problem on the internet at www.Einhell-Service.com. Please ensure that you provide a precise description of the problem and answer the following questions in all cases:

- Did the equipment work at all or was it defective from the beginning?
- Did you notice anything (symptom or defect) prior to the failure?
- What malfunction does the equipment have in your opinion (main symptom)? Describe this malfunction.



Warranty certificate

Dear Customer,

All of our products undergo strict quality checks to ensure that they reach you in perfect condition. In the unlikely event that this equipment develops a fault, please contact our service department at the address shown on this guarantee card. You can also contact us by telephone using the service number shown. Please note the following terms under which guarantee claims can be made:

1. These guarantee terms apply solely to consumers, i.e. natural persons, who do not want to use this product in connection with either their commercial or other self-employed activities. These guarantee terms regulate additional guarantee services which the undermentioned manufacturer promises to buyers of its new products in addition to their statutory rights of guarantee. Your statutory rights of guarantee are not affected by this guarantee. Our guarantee is free of charge to you.
2. The guarantee services cover only defects due to material or manufacturing faults on the new product which you have bought in the European Union from the undermentioned manufacturer and are limited to either the rectification of said defects or the replacement of the product, whichever we prefer. Please note that only equipment under the brand name "Professional" has been designed for use in commercial, trade or professional applications. For all other products the guarantee is invalidated if the equipment is used within the guarantee period in commercial, trade or industrial applications or for other equivalent activities.
3. Our guarantee does not cover:
 - Damage to the equipment caused by failure to comply with the installation/assembly instructions or by unprofessional installation; damage caused by failure to comply with the operating instructions (e.g. connection to the wrong mains voltage or current type); damage caused by failure to comply with the maintenance and safety regulations; damage caused by exposing the equipment to abnormal environmental conditions; damage resulting from poor care and maintenance.
 - Damage to the equipment caused by misuse or incorrect applications (e.g. overloading the equipment or using non-approved attachments or accessories); damage caused by foreign bodies (e.g. sand, stones, dust, ...) getting inside the equipment. Damage in transit; damage caused by force or external influences (e.g. by dropping the equipment).
 - Damage to the equipment or parts of the equipment which is owed to use-related, normal or otherwise natural wear. For example, batteries and battery packs are manufactured with a cycle limit for design-related reasons. Wear is negatively influenced in particular by load demands and charging speeds as well as exposure to heat, cold, vibration and impact.
4. The guarantee is valid for a period of 2 years starting from the purchase date of the equipment. Guarantee claims must be submitted before the end of the guarantee period and within two weeks of the defect being noticed. No guarantee claims will be accepted after the end of the guarantee period. The original guarantee period remains applicable to the equipment even if repairs are carried out or parts are replaced. In such cases, the work performed or parts fitted will not result in an extension of the guarantee period, and no new guarantee will become active for the work performed or for any replacement parts fitted. This also applies if on-site service is used.
5. To assert your guarantee claim, register the defective equipment at: www.Einhell-Service.com. You will need to provide proof of purchase of the new item of equipment. Equipment returned without such proof or without a rating plate are excluded from the guarantee services because of the lack of traceability. If the defect is covered by our guarantee, then either the item in question will be repaired immediately and returned to you or we will send you a new replacement.
6. If you have taken the equipment with you to a different EU country than where you bought it, we will arrange for a local service partner to provide the guarantee services. If you take the equipment outside the EU, the guarantee will not apply.

Of course, we are also happy to offer a chargeable repair service for any defects which are not covered or no longer covered by the scope of this guarantee. To take advantage of this service, please send the equipment to our service address. We draw attention to the restrictions of this guarantee concerning wear parts, consumables and missing parts as presented in the service information included in this operating manual.

Warrantor/ Service:

Einhell UK Ltd, Unit 10, 1st Floor, Champion's Business Park, Arrove Brook Road, Upton, Wirral, CH49 0UQ