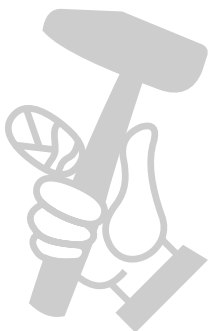
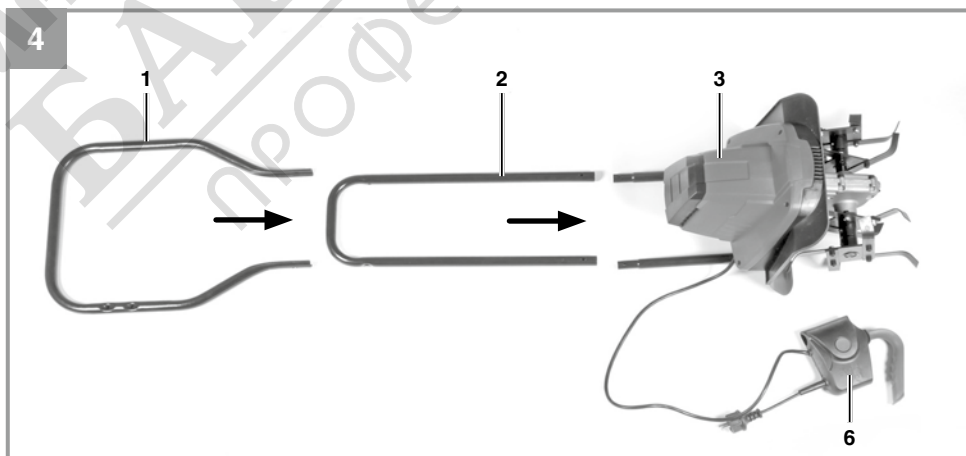
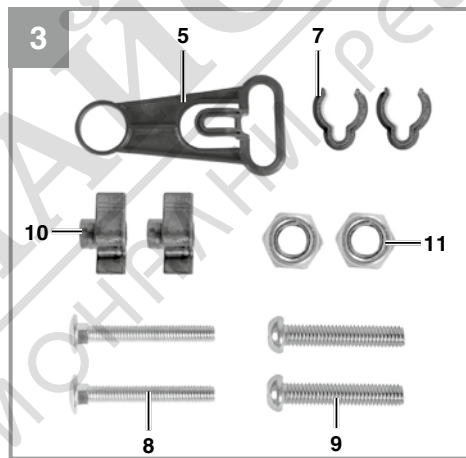
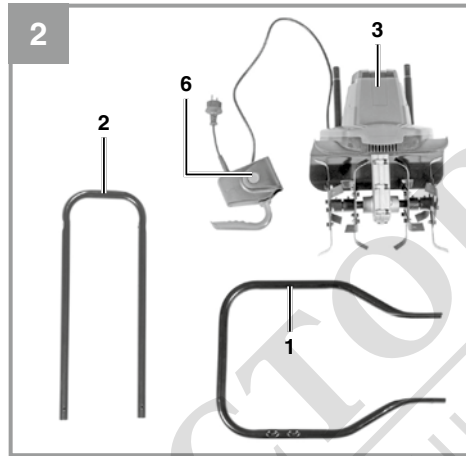
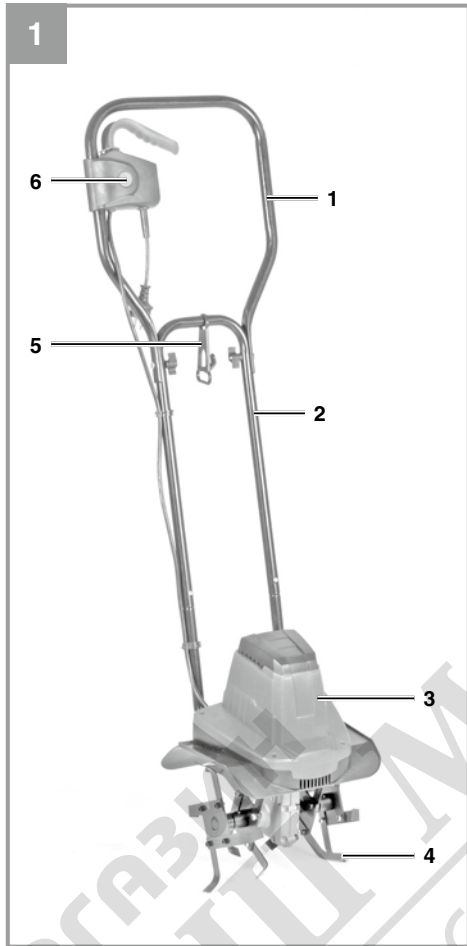
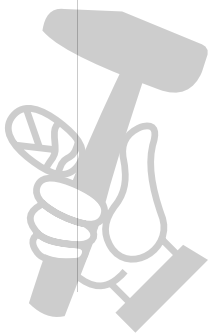
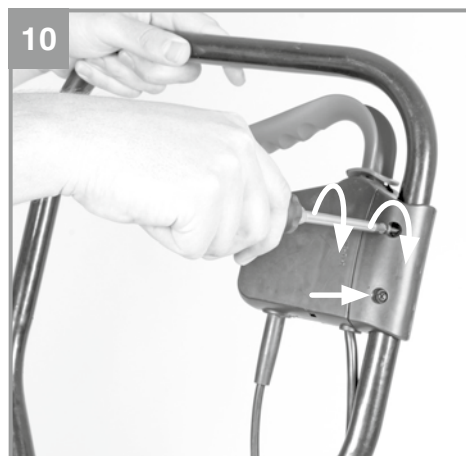
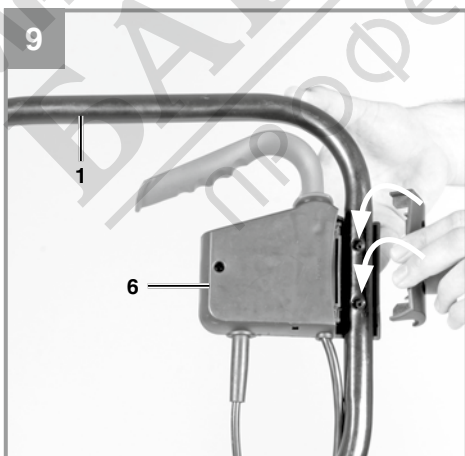
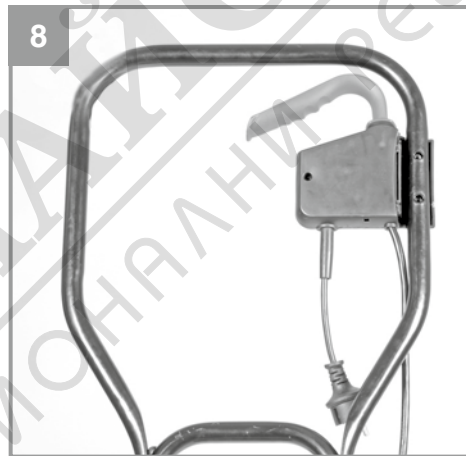
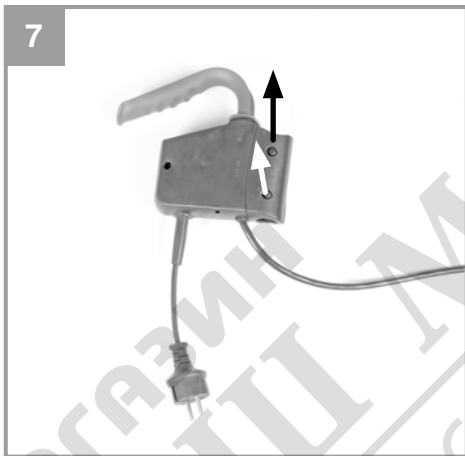
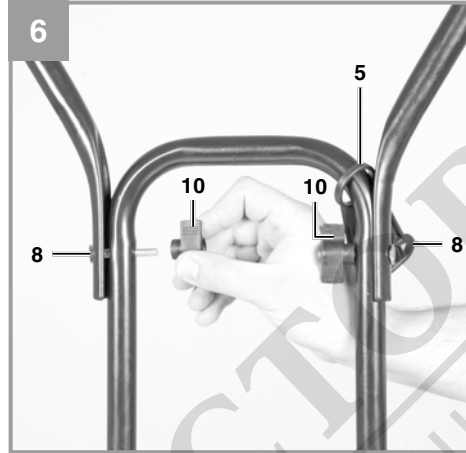
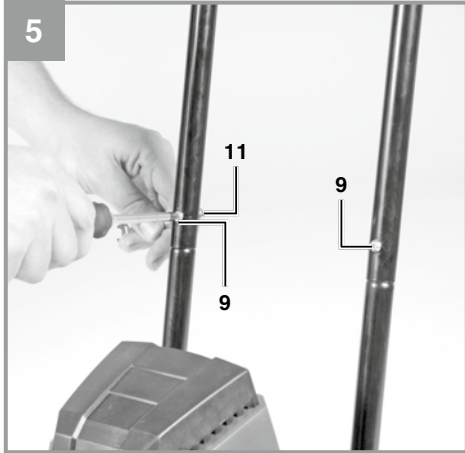
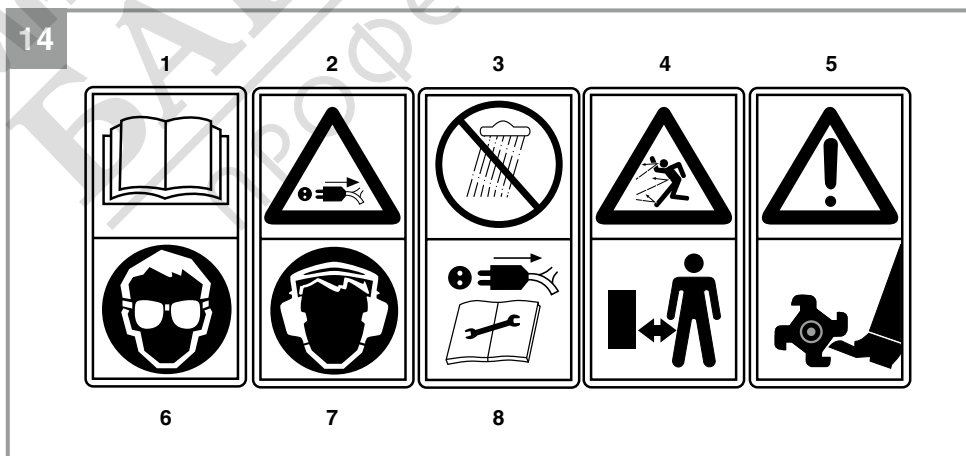
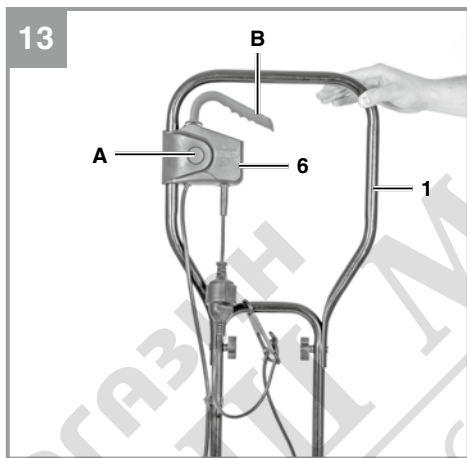
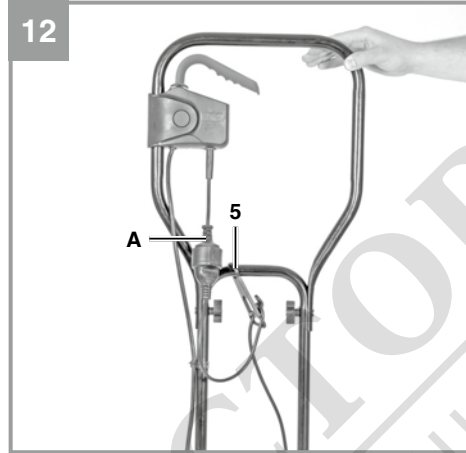
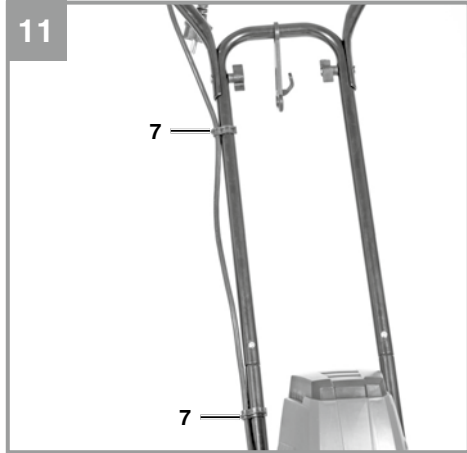


D	Originalbetriebsanleitung Elektro-Bodenhacke	SLO	Originalna navodila za uporabo Električni okopalnik
GB	Original operating instructions Electric hoe	H	Eredeti használati utasítás Elektromos-földkapa
F	Mode d'emploi d'origine Bineuse électrique	RO	Instrucțiuni de utilizare originale Prășitor electric
I	Istruzioni per l'uso originali Elettrozappa		
DK/ N	Original betjeningsvejledning EI-dreven jordhakker		
S	Original-bruksanvisning Elektrisk jordfräs		
HR/ BIH	Originalne upute za uporabu Električna freza		
CZ	Originální návod k obsluze Elektrická motyčka		
SK	Originálny návod na obsluhu Elektrický kyprič pôdy		
NL	Originele handleiding Elektrische bodemfrees		
E	Manual de instrucciones original Motoazada eléctrica		

**Art.-Nr.: 34.310.50****I.-Nr.: 21022**







Danger!

When using the equipment, a few safety precautions must be observed to avoid injuries and damage. Please read the complete operating instructions and safety regulations with due care. Keep this manual in a safe place, so that the information is available at all times. If you give the equipment to any other person, hand over these operating instructions and safety regulations as well. We cannot accept any liability for damage or accidents which arise due to a failure to follow these instructions and the safety instructions.

1. Safety regulations

The corresponding safety information can be found in the enclosed booklet.

Danger!**Read all safety regulations and instructions.**

Any errors made in following the safety regulations and instructions may result in an electric shock, fire and/or serious injury.

Keep all safety regulations and instructions in a safe place for future use.**Explanation of the symbols on the machine (Fig. 14):**

1. Danger! Note the instructions for use!
2. Danger! If the cable is damaged or cut, pull out the power plug from the mains immediately.
3. Danger! Never use the equipment in damp locations.
4. Caution! Danger from catapulted parts; keep a safe distance.
5. Danger! Rotating tool.
6. Caution! Wear safety goggles!
7. Caution! Wear ear muffs!
8. Danger! Pull the power plug before carrying out maintenance, cleaning and repair work.

2. Layout and items supplied**2.1 Layout (Fig. 1-3)**

1. Top push bar
2. Bottom push bar
3. Motor unit
4. Hoe blades
5. Cable strain-relief clamp
6. Two-hand safety switch
- 6a Two-point switch
- 6b Selector lever

- 6c Power plug
7. Cable securing clips
8. 2x screw for installing the top push bar
9. 2x screw for installing the bottom push bar
10. 2x wing nut
11. 2x nut M6

2.2 Items supplied

Please check that the article is complete as specified in the scope of delivery. If parts are missing, please contact our service center or the sales outlet where you made your purchase at the latest within 5 working days after purchasing the product and upon presentation of a valid bill of purchase. Also, refer to the warranty table in the service information at the end of the operating instructions.

- Open the packaging and take out the equipment with care.
- Remove the packaging material and any packaging and/or transportation braces (if available).
- Check to see if all items are supplied.
- Inspect the equipment and accessories for transport damage.
- If possible, please keep the packaging until the end of the guarantee period.

Danger!

The equipment and packaging material are not toys. Do not let children play with plastic bags, foils or small parts. There is a danger of swallowing or suffocating!

- Original operating instructions
- Safety instructions

3. Proper use

The machine is designed for digging soil (for example garden beds). Be sure to observe the restrictions in the safety instructions.

The operating instructions as supplied by the manufacturer must be kept and referred to in order to ensure that the machine is properly used and maintained. The instructions contain valuable information on operating, maintenance and servicing conditions.

For safety reasons, the machine may not be used as a drive unit for other work tools or tool sets of any kind.

The equipment is to be used only for its prescribed purpose. Any other use is deemed to be a case of misuse. The user / operator and not the manufacturer will be liable for any damage or injuries of any kind caused as a result of this.

Please note that our equipment has not been designed for use in commercial, trade or industrial applications. Our warranty will be voided if the machine is used in commercial, trade or industrial businesses or for equivalent purposes.

4. Technical data

Voltage	230V ~ 50Hz
Power input	750 W
Working width	30 cm
Hoe diameter	22 cm
Idle speed	400 rpm
Number of blades	4 pieces

Danger!

Sound and vibration

L_{pA} sound pressure level	78.4 dB(A)
K_{pA} uncertainty	2.5 dB
L_{WA} sound power level	90.7 dB(A)
K_{WA} uncertainty	1.37 dB

Wear ear-muffs.

The impact of noise can cause damage to hearing.

Total vibration values (vector sum of three directions) determined in accordance with EN 60745.

Vibration emission value $a_n \leq 2.5 \text{ m/s}^2$
K uncertainty = 1.5 m/s^2

The specified vibration value was established in accordance with a standardized testing method. It may change according to how the electric equipment is used and may exceed the specified value in exceptional circumstances.

The specified vibration value can be used to compare the equipment with other electric power tools.

The specified vibration value can be used for initial assessment of a harmful effect.

Keep the noise emissions and vibrations to a minimum.

- Only use appliances which are in perfect working order.
- Service and clean the appliance regularly.
- Adapt your working style to suit the appliance.
- Do not overload the appliance.
- Have the appliance serviced whenever necessary.
- Switch the appliance off when it is not in use.
- Wear protective gloves.

Caution!

Residual risks

Even if you use this electric power tool in accordance with instructions, certain residual risks cannot be ruled out. The following hazards may arise in connection with the equipment's construction and layout:

1. Lung damage if no suitable protective dust mask is used.
2. Damage to hearing if no suitable ear protection is used.
3. Health damage caused by hand-arm vibrations if the equipment is used over a prolonged period or is not properly guided and maintained.

5. Before starting the equipment

Before you connect the equipment to the mains supply make sure that the data on the rating plate are identical to the mains data.

Warning!

Always pull the power plug before making adjustments to the equipment.

Assembly (Fig. 4-11)

- Place the motor unit and the push bars on the ground in order (Fig. 4).
- Do not forget to slide the cable strain-relief clamp (Fig. 6/item 5) over the bottom push bar.
- Slide the bottom push bar on to the push bar holder and secure the two components to each other (Fig. 5).
- Now secure the top push bar to the bottom push bar (Fig. 6).
- Install the 2-hand safety switch as shown in Fig. 7-10.
- Secure the cable using the supplied cable securing clips (Fig. 11/7)

Power supply

The machine can be connected to any light socket-outlet (with 230 Volt alternating current). However, the socket outlet must have an earthing contact protected by a 16 A circuit breaker. Additionally, a residual current device (RCD) circuit-breaker with max. 30 mA must be used!

Power cable for the device

Please only use power cables that are not damaged. The total length of the power cable should not exceed 50 meters; going beyond this distance will reduce the power output of the electric motor. The power cable must have a cross-section of 3 x 1.5 mm². The insulating sheath of such machines is frequently damaged.

Some of the causes for this are:

- Cracking due to old age of the insulation
- Kinking caused by improper fastening or guidance of the power cable

Even though power cables with damaged insulation sheaths pose a lethal hazard, some people still use them. Do not make this mistake! Cables, plugs and socket couplers must meet the following requirements listed below. Power cables used to connect machines must have a rubber insulation sheath.

The power cables must, at the very minimum, be of type HO5RN-F and 3-stranded. The cable type must be printed somewhere on the power cable. Only purchase power cables that are marked! Plugs and socket couplers for the power cables must be made from rubber and splash-proof. There is a limit to how long power cables can be. Longer power cables require larger conductor cross-sections. Power cables and connecting lines must be regularly checked for damage. Ensure that the lines are de-energized before checking them. Completely unwind the power cable. Also check power cable entry points, plugs and socket couplers for kinks.

6. Operation

6.1 Starting up

Connect the machine's power supply cable to the plug (Fig. 12/Item A) and secure the power cable with the strain-relief clamp (Fig 12/Item 5).

Caution! To prevent accidental start-up of the machine, the push-bar is equipped with a two-point switch (Fig. 13/Item A) which must be pressed before the lever switch (Fig. 13/Item B) can be pressed. If the lever switch is released, the machine switches off. Repeat this process several times so that you are sure that your machine functions properly. Before you perform any repair or maintenance work on the machine, ensure that the hoe blades are not rotating and that the power supply is disconnected.

Always ensure that a safe distance (provided by the long handles) is maintained between the machine and the user. Be especially careful when changing direction on slopes and inclines. Maintain a solid footing and wear sturdy, non-slip footwear and long trousers. Always work along the incline (not up and down). Use special caution when backing up and pulling the machine (tripping hazard).

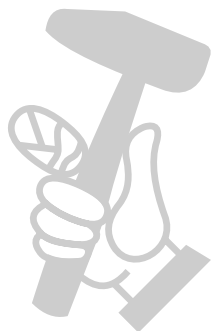
6.2 Tips for proper working

Place the machine in front of the area you wish to hoe and hold it securely on the push bar before you switch on the machine. Guide the hoe blades over the area.

To achieve cleanly hoed soil always ensure that you guide the machine in straight lines wherever possible. In so doing, the aeration swaths should always overlap each other by a few centimeters in order to avoid bare strips.

Switch off the motor promptly when you arrive at the end of the area you wished to hoe. The motor must be switched off when you raise the machine (for example to change direction).

Keep the underside of the machine clean and remove soil deposits. Deposits make it more difficult to start the machine and decrease the working depth. Work perpendicular to the slope on inclined areas. The machine must be switched off and the mains cable disconnected before you make any checks on the hoe blades.



Warning!

The hoe blades will continue to rotate for a few seconds after the motor is switched off. Never attempt to manually stop them. In the event that the rotating hoe blade strikes an object, immediately switch off the machine and wait for the hoe blades to come to a complete stop. Then inspect the condition of the hoe blades. Replace any parts that are damaged.

Lay the power cable on the ground in front of the outlet in a figure 8. Work away from the outlet or cable and ensure that the power cable always trails in the hoed soil which will prevent the hoe blades from traveling over the cable.

7. Replacing the power cable**Danger!**

If the power cable for this equipment is damaged, it must be replaced by the manufacturer or its after-sales service or similarly trained personnel to avoid danger.

8. Cleaning, maintenance and ordering of spare parts**Danger!**

Maintenance and cleaning work on the machine as well as removal of the safety devices may only be performed when the motor is switched off and the power cable has been pulled.

8.1 Cleaning

- Keep all safety devices, air vents and the motor housing free of dirt and dust as far as possible. Wipe the equipment with a clean cloth or blow it with compressed air at low pressure.
- We recommend that you clean the device immediately each time you have finished using it.
- Clean the equipment regularly with a moist cloth and some soft soap. Do not use cleaning agents or solvents; these could attack the plastic parts of the equipment. Ensure that no water can seep into the device. The ingress of water into an electric tool increases the risk of an electric shock.

8.2 Replace the hoe blades

For safety reasons, we recommend having the hoe blades replaced by an authorized professional (see address on warranty certificate). Wear working gloves. Use only genuine spare parts since otherwise the function and safety of the machine cannot be guaranteed.

8.3 Maintenance

Ensure that all mounting components (i.e. screws, bolts, nuts etc.) are always tightened so that the machine can be safely operated at all times.

Store the device in a dry room. All the metal parts should be cleaned and then oil to ensure that they provide a long life. For best results, clean the plastic parts of the machine with a brush or rag. Do not use any solvents to remove dirt.

At the end of the season, perform a general inspection of the machine and remove any deposits which may have accumulated. At the start of each season, ensure that you check the condition of the machine. If repairs are necessary, please contact one of our customer service centers (see address on warranty certificate).

8.4 Ordering replacement parts:

Please quote the following data when ordering replacement parts:

- Type of machine
- Article number of the machine
- Identification number of the machine
- Replacement part number of the part required

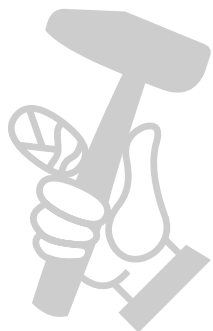
For our latest prices and information please go to www.Einhell-Service.com

9. Disposal and recycling

The equipment is supplied in packaging to prevent it from being damaged in transit. The raw materials in this packaging can be reused or recycled. The equipment and its accessories are made of various types of material, such as metal and plastic. Never place defective equipment in your household refuse. The equipment should be taken to a suitable collection center for proper disposal. If you do not know the whereabouts of such a collection point, you should ask in your local council offices.

10. Storage

Store the equipment and accessories in a dark and dry place at above freezing temperature. The ideal storage temperature is between 5 and 30 °C. Store the electric tool in its original packaging.

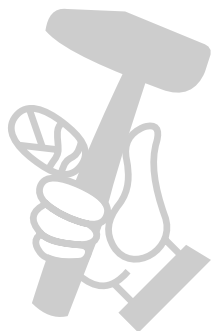


МАГАЗИН
БАШ МАЙСТОРА®
ПРОФЕСИОНАЛНИ РЕШЕНИЯ

11. Troubleshooting guide

Fault	Possible causes	Remedy
Motor does not start	<ul style="list-style-type: none"> - No power at the plug - Cable defective - Switch/plug block defective - Motor terminals or capacitor disconnected - excessive working depth 	<ul style="list-style-type: none"> - Check the power cable and fuse - Check - By customer service workshop - By customer service workshop - Reduce working depth
Motor performance drops	<ul style="list-style-type: none"> - Soil too hard - Blades badly worn 	<ul style="list-style-type: none"> - Correct working depth - Replace hoe blades

Notice! For protection, the motor is equipped with a thermal switch which cuts out when the motor is overloaded and switches on again automatically after a short cooling period.





For EU countries only

Never place any electric power tools in your household refuse.

To comply with European Directive 2012/19/EC concerning old electric and electronic equipment and its implementation in national laws, old electric power tools have to be separated from other waste and disposed of in an environment-friendly fashion, e.g. by taking to a recycling depot.

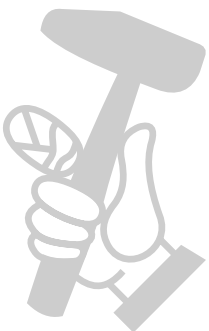
Recycling alternative to the return request:

As an alternative to returning the equipment to the manufacturer, the owner of the electrical equipment must make sure that the equipment is properly disposed of if he no longer wants to keep the equipment. The old equipment can be returned to a suitable collection point that will dispose of the equipment in accordance with the national recycling and waste disposal regulations. This does not apply to any accessories or aids without electrical components supplied with the old equipment.

Please note that batteries and lamps (e.g. light bulbs) must be removed from the tool before it is disposed of.

The reprinting or reproduction by any other means, in whole or in part, of documentation and papers accompanying products is permitted only with the express consent of the Einhell Germany AG.

Subject to technical changes



Service information

We have competent service partners in all countries named on the guarantee certificate whose contact details can also be found on the guarantee certificate. These partners will help you with all service requests such as repairs, spare and wearing part orders or the purchase of consumables.

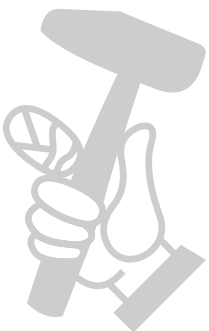
Please note that the following parts of this product are subject to normal or natural wear and that the following parts are therefore also required for use as consumables.

Category	Example
Wear parts*	Carbon brushes, cultivator blade
Consumables*	
Missing parts	

* Not necessarily included in the scope of delivery!

In the effect of defects or faults, please register the problem on the internet at www.Einhell-Service.com. Please ensure that you provide a precise description of the problem and answer the following questions in all cases:

- Did the equipment work at all or was it defective from the beginning?
- Did you notice anything (symptom or defect) prior to the failure?
- What malfunction does the equipment have in your opinion (main symptom)? Describe this malfunction.



Warranty certificate

Dear Customer,

All of our products undergo strict quality checks to ensure that they reach you in perfect condition. In the unlikely event that your device develops a fault, please contact our service department at the address shown on this guarantee card. You can also contact us by telephone using the service number shown. Please note the following terms under which guarantee claims can be made:

1. These guarantee terms apply to consumers only, i.e. natural persons intending to use this product neither for their commercial activities nor for any other self-employed activities. These warranty terms regulate additional warranty services, which the manufacturer mentioned below promises to buyers of its new products in addition to their statutory rights of guarantee. Your statutory guarantee claims are not affected by this guarantee. Our guarantee is free of charge to you.
2. The warranty services cover only defects due to material or manufacturing faults on a product which you have bought from the manufacturer mentioned below and are limited to either the rectification of said defects on the product or the replacement of the product, whichever we prefer.
Please note that our devices are not designed for use in commercial, trade or professional applications. A guarantee contract will not be created if the device has been used by commercial, trade or industrial business or has been exposed to similar stresses during the guarantee period.
3. The following are not covered by our guarantee:
 - Damage to the device caused by a failure to follow the assembly instructions or due to incorrect installation, a failure to follow the operating instructions (for example connecting it to an incorrect mains voltage or current type) or a failure to follow the maintenance and safety instructions or by exposing the device to abnormal environmental conditions or by lack of care and maintenance.
 - Damage to the device caused by abuse or incorrect use (for example overloading the device or the use of unapproved tools or accessories), ingress of foreign bodies into the device (such as sand, stones or dust, transport damage), the use of force or damage caused by external forces (for example by dropping it).
 - Damage to the device or parts of the device caused by normal or natural wear or tear or by normal use of the device.
4. The guarantee is valid for a period of 24 months starting from the purchase date of the device. Guarantee claims should be submitted before the end of the guarantee period within two weeks of the defect being noticed. No guarantee claims will be accepted after the end of the guarantee period. The original guarantee period remains applicable to the device even if repairs are carried out or parts are replaced. In such cases, the work performed or parts fitted will not result in an extension of the guarantee period, and no new guarantee will become active for the work performed or parts fitted. This also applies if an on-site service is used.
5. To make a claim under the guarantee, please register the defective device at: www.Einhell-Service.com. Please keep your bill of purchase or other proof of purchase for the new device. Devices that are returned without proof of purchase or without a rating plate shall not be covered by the guarantee, because appropriate identification will not be possible. If the defect is covered by our guarantee, then the item in question will either be repaired immediately and returned to you or we will send you a new replacement.

Of course, we are also happy offer a chargeable repair service for any defects which are not covered by the scope of this guarantee or for units which are no longer covered. To take advantage of this service, please send the device to our service address.

Also refer to the restrictions of this warranty concerning wear parts, consumables and missing parts as set out in the service information in these operating instructions.

