

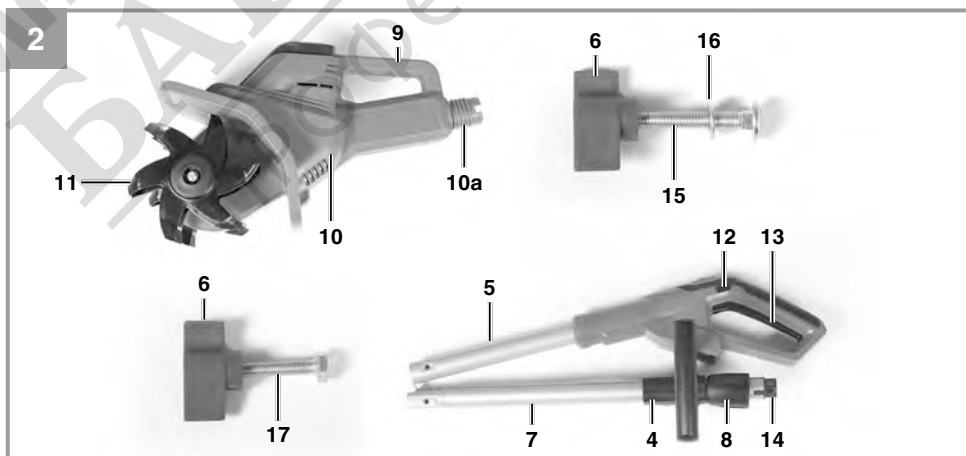
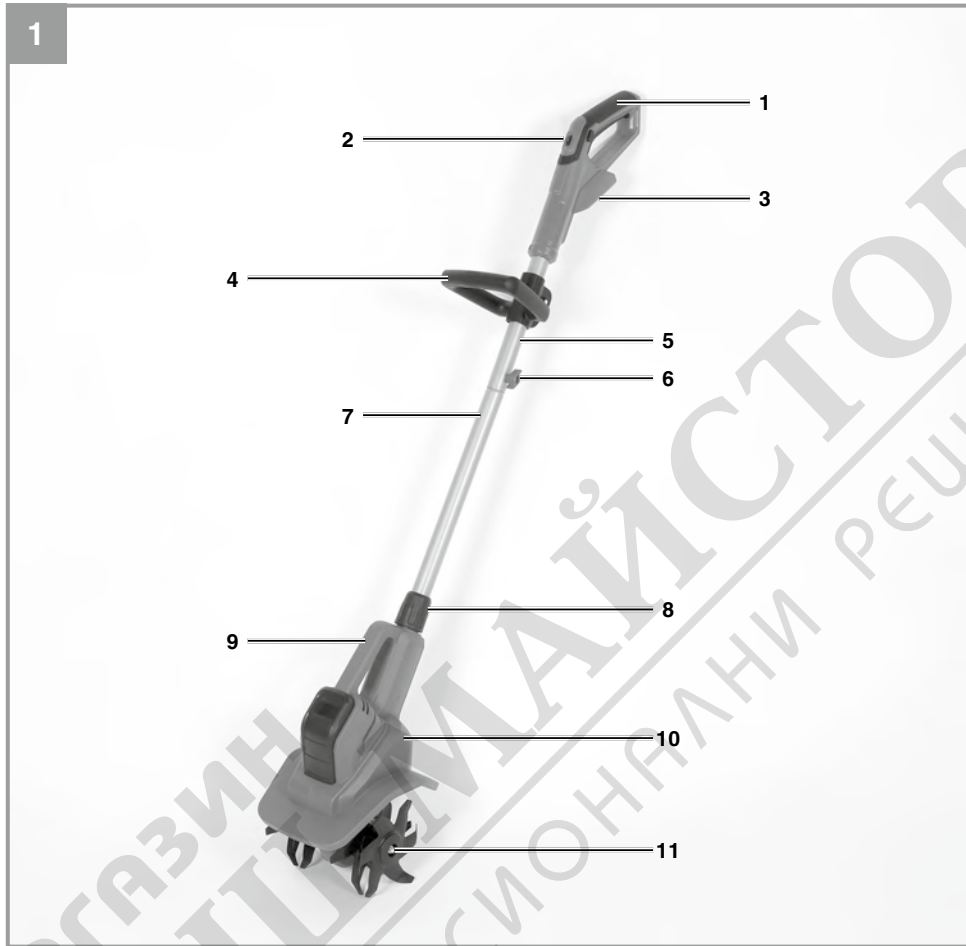
D	Originalbetriebsanleitung Akku-Bodenhacke	FIN	Alkuperäiskäyttöohje Akkukäyttöinen möyhennyskuokka
GB	Original operating instructions Cordless Hoe	SLO	Originalna navodila za uporabo Akumulatorski prekopalnik
F	Instructions d'origine Motobineuse sans fil	H	Eredeti használati utasítás Akku-földkapa
I	Istruzioni per l'uso originali Zappatrice a batteria	RO	Instrucțiuni de utilizare originale Motosapă cu acumulator
DK/ N	Original betjeningsvejledning Akku-jordfræser	GR	Πρωτότυπες Οδηγίες χρήσης Σκαπτικό μπαταρίας
S	Original-bruksanvisning Batteridrivnen jordfräs	P	Manual de instruções original Enxada eléctrica sem fio
CZ	Originální návod k obsluze Akumulátorová motyčka	HR/ BIH	Originalne upute za uporabu Akumulatorski kultivator za obradu tla
SK	Originálny návod na obsluhu Akumulátorový kultivátor	RS	Originalna uputstva za upotrebu Akumulatorski kultivator za obradu tla
NL	Originele handleiding Accu-bodemfrees	PL	Instrukcję oryginalną Glebogryzarka akumulatorowa
E	Manual de instrucciones original Motoazada de batería	TR	Orijinal Kullanma Talimatı Akülü çapa makinesi
		EE	Originaalkasutusjuhend Akuga kultivaator

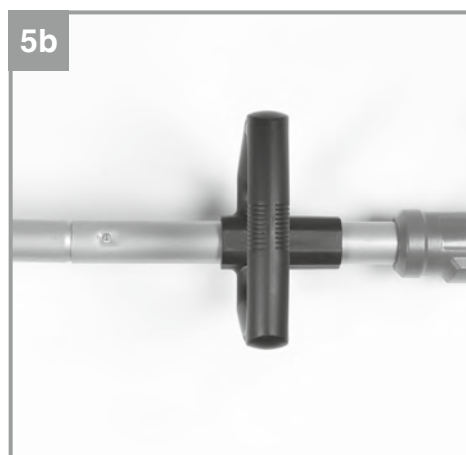
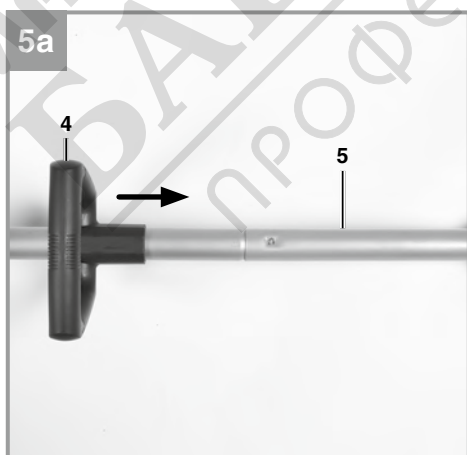
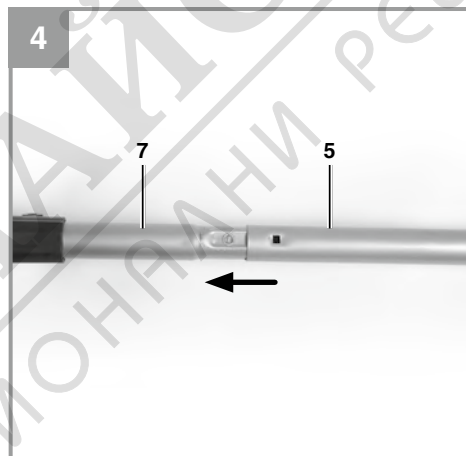
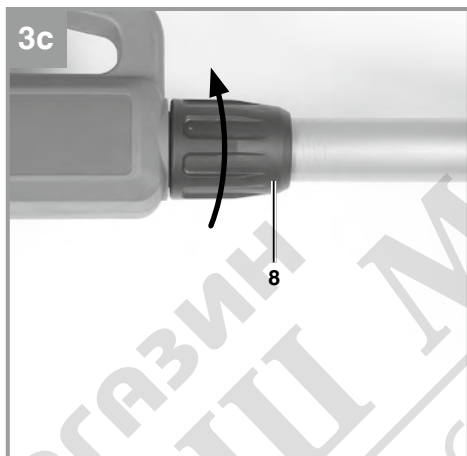
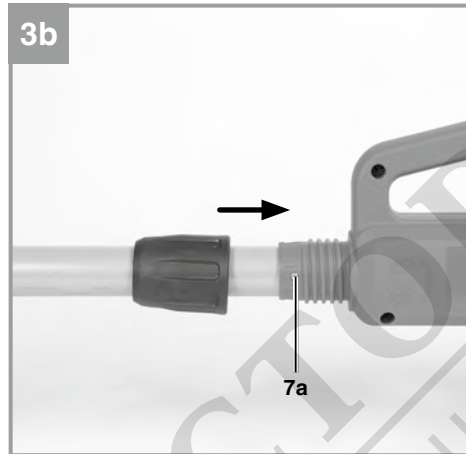
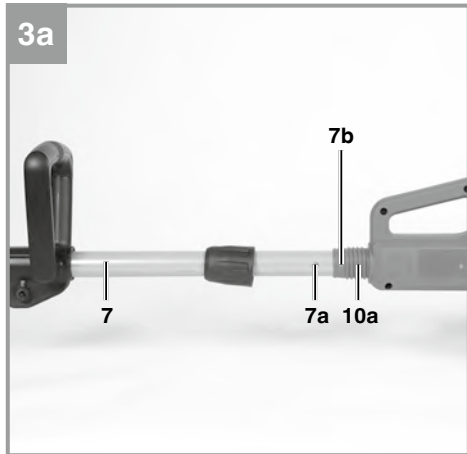
13

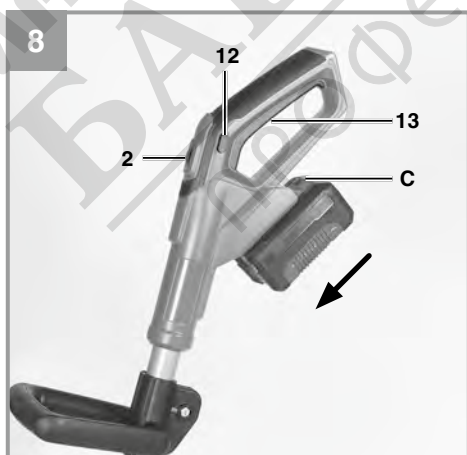
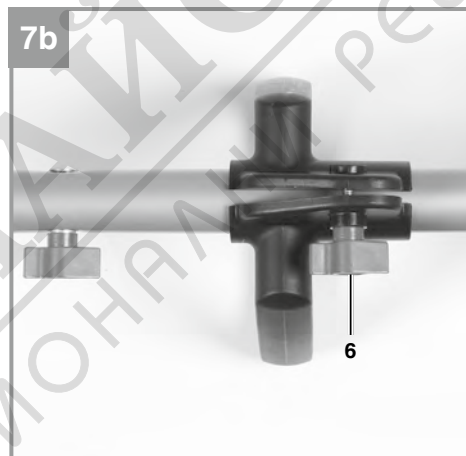
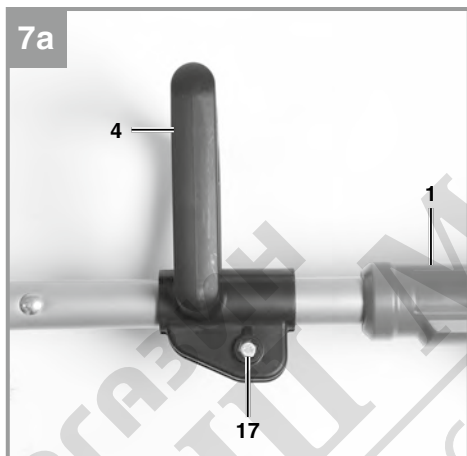
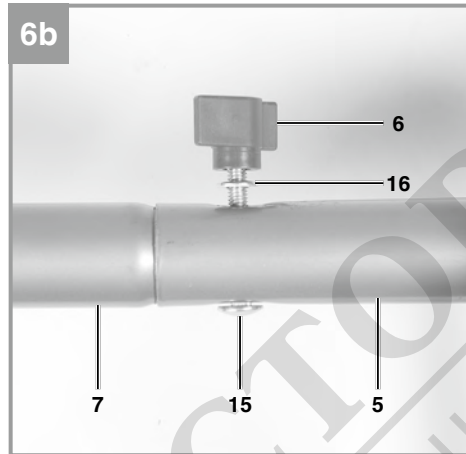
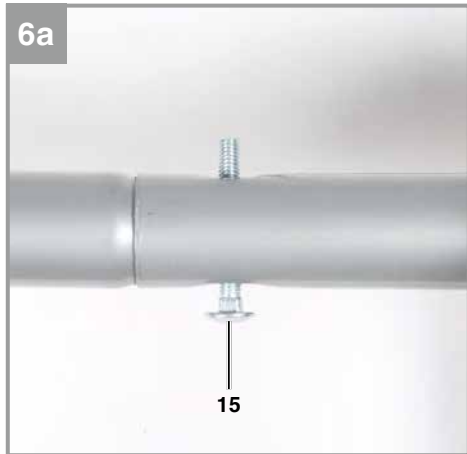


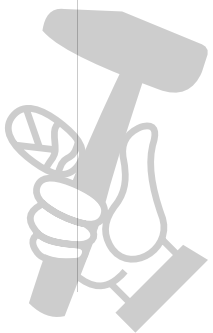
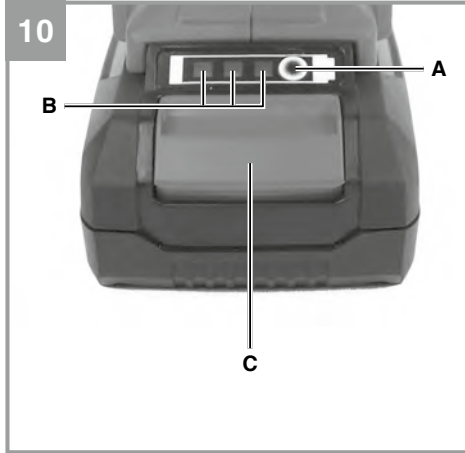
Art.-Nr.: 34.312.10

I.-Nr.: 21022









Danger!

When using the equipment, a few safety precautions must be observed to avoid injuries and damage. Please read the complete operating instructions and safety regulations with due care. Keep this manual in a safe place, so that the information is available at all times. If you give the equipment to any other person, hand over these operating instructions and safety regulations as well. We cannot accept any liability for damage or accidents which arise due to a failure to follow these instructions and the safety instructions.

Explanation of the symbols used (see Fig. 11)

1. Danger! Note the instructions for use!
2. Caution! Danger from catapulted parts; keep a safe distance.
3. Danger! Rotating tool.
4. Danger! Never use the equipment in damp locations.
5. Caution! Wear goggles and ear defenders.
6. Guaranteed sound power level.

1. Safety regulations

The corresponding safety information can be found in the enclosed booklet.

Warning!

Read all the safety information, instructions, illustrations and technical data provided on or with this power tool. Failure to adhere to the following instructions may result in electric shock, fire and/or serious injury.

Keep all the safety information and instructions in a safe place for future use.

2. Layout and items supplied**2.1 Layout (Fig. 1/2)**

1. Handle
2. Speed controller
3. Battery mount
4. Steady grip
5. Top long handle
6. Wing nut
7. Bottom long handle
8. Union nut
9. Carry-handle
10. Motor housing
- 10a. Long handle mount
11. Cultivator blades
12. Safety lock-off

13. On/Off switch
14. Long handle contact
15. Lock bolt M6
16. Washer 6.4
17. Hexagon screw M6

2.2 Items supplied

Please check that the article is complete as specified in the scope of delivery. If parts are missing, please contact our service center or the sales outlet where you made your purchase at the latest within 5 working days after purchasing the product and upon presentation of a valid bill of purchase. Also, refer to the warranty table in the service information at the end of the operating instructions.

- Open the packaging and take out the equipment with care.
- Remove the packaging material and any packaging and/or transportation braces (if available).
- Check to see if all items are supplied.
- Inspect the equipment and accessories for transport damage.
- If possible, please keep the packaging until the end of the guarantee period.

Danger!

The equipment and packaging material are not toys. Do not let children play with plastic bags, foils or small parts. There is a danger of swallowing or suffocating!

- Cordless hoe
- Assembly material
- Original operating instructions
- Safety instructions

3. Proper use

The machine is designed for digging soil (for example garden beds). Be sure to observe the restrictions in the safety instructions.

The operating instructions as supplied by the manufacturer must be kept and referred to in order to ensure that the equipment is properly used and maintained. The instructions contain valuable information on operating, maintenance and servicing conditions.

For safety reasons, the machine may not be used as a drive unit for other work tools or tool sets of any kind.

This machine is not suitable for difficult soil (stony, hard, etc.).

The equipment is to be used only for its prescribed purpose. Any other use is deemed to be a case of misuse. The user / operator and not the manufacturer will be liable for any damage or injuries of any kind caused as a result of this.

Please note that our equipment has not been designed for use in commercial, trade or industrial applications. Our warranty will be voided if the machine is used in commercial, trade or industrial businesses or for equivalent purposes.

4. Technical data

Operating voltage: 18 V DC
 Protection type: IPX1
 Protection class: III
 Idle speed n_0 : 230 min⁻¹
 Idling speed min – max: 190-230 min⁻¹
 Working width: 20 cm
 Hoing \varnothing : 15.5 cm
 Number of blades: 4 pcs
 Sound pressure level L_{pA} : 62 dB(A)
 Uncertainty K_{pA} : 3 dB
 Measured sound power level L_{WA} : 74.94 dB(A)
 Uncertainty K_{WA} : 3 dB
 Guaranteed sound power level L_{WA} : 93 dB(A)
 Vibration at the long handle a_h : ≤ 2.5 m/s²
 Uncertainty K: 1.5 m/s²
 Weight: 4 kg

Caution!

The machine is supplied without rechargeable batteries and without a charger, and is allowed to be used only with the lithium-ion batteries of the Power X-Change series!

The lithium-ion batteries of the Power X-Change series are allowed to be charged only with the Power-X charger.

Danger!

Sound and vibration

Sound and vibration values were measured in accordance with EN 62841.

Wear ear-muffs.

The impact of noise can cause damage to hearing.

Total vibration values (vector sum of three directions) determined in accordance with EN 62841.

The stated vibration emission levels and stated noise emission values were measured in accordance with a set of standardized criteria and can be used to compare one power tool with another.

The stated vibration emission levels and stated noise emission values can also be used to make an initial assessment of exposure.

Warning:

The vibration and noise emission levels may vary from the level specified during actual use, depending on the way in which the power tool is used, especially the type of workpiece it is used for.

Keep the noise emissions and vibrations to a minimum.

- Only use appliances which are in perfect working order.
- Service and clean the appliance regularly.
- Adapt your working style to suit the appliance.
- Do not overload the appliance.
- Have the appliance serviced whenever necessary.
- Switch the appliance off when it is not in use.
- Wear protective gloves.

Caution!

Residual risks

Even if you use this electric power tool in accordance with instructions, certain residual risks cannot be ruled out. The following hazards may arise in connection with the equipment's construction and layout:

1. Damage to hearing if no suitable ear protection is used.
2. Health damage caused by hand-arm vibrations if the equipment is used over a prolonged period or is not properly guided and maintained.
3. Injury and damage to property caused by flying parts.

- Cut injuries if no suitable safety clothing is used.

Limit the operating time!

All stages of the operating cycle must be considered (for example, times in which the electric tools are switched off and times in which the tool is switched on but operates without load).

5. Before starting the equipment

The machine is supplied without batteries and without a charger!

5.1 Fitting the long handle and the steady grip

- (Fig. 3a) Plug the bottom long handle (Item 7) into the long handle mount (Item 10a). Make sure that the spring ball (Item 7a) is at the same height as the hole provided for it in the long handle mount (Item 7b).
- (Fig. 3b) Push the bottom long handle (Item 7) into the long handle mount (Item 10a), pressing the spring ball (Item 7a) slightly inwards as you do so. The spring ball (Item 7a) will latch in the hole provided for it in the long handle mount (Item 7b).
- (Fig. 3c) Use the union nut (Item 8) to screw the bottom long handle to the long handle mount. The union nut must be screwed on fully as far as the stop in order to ensure electrical contact between the long handle and the motor housing.
- (Fig. 4) Push the top long handle (Item 5) over the bottom long handle (Item 7). Take care not to damage the cable inside.
- (Fig. 5a, 5b) Push the steady grip (Item 4) onto the top long handle (Item 5).
- (Fig. 6a, 6b) Insert the lock bolt M6 (Item 15) into the square mount of the top long handle (Item 5). Take the washer (Item 16) and the wing nut (Item 6) and screw the two long handles together. The washer must be between the long handle and the wing nut.
- (Fig. 7a, 7b) Turn the steady grip (Item 4) so that it is aligned with the handle (Item 1) (see Fig. 1). Insert the hexagon screw (Item 17) into the hexagon mount of the steady grip. Use the wing nut (Item 6) to screw the steady grip tight.

5.2 Adjusting the steady grip

For you to be able to work with the machine, the steady grip must be aligned with the handle (see Fig. 1 for the working position).

- Open the wing nut (Item 6) by turning it counter-clockwise, turn the steady grip (Item 4) until it is aligned with the handle, and push it into a comfortable working height for yourself.
- Close the wing nut by turning it clockwise and secure the steady grip.

5.3 Fitting the battery

Press the pushlock button of the battery as shown in Fig. 8 and push the battery into the mount provided. When the battery is positioned as in Fig. 8, make sure that the pushlock button latches in place! To remove the battery, proceed in reverse order!

Danger!

Start up the equipment only when it is fully assembled.

5.4 Charging a battery (Fig. 9)

- Take the battery pack out of the machine. Do this by pressing the pushlock button.
- Check that your mains voltage is the same as that marked on the rating plate of the battery charger. Insert the power plug of the charger into the socket outlet. The green LED will begin to blink.
- Insert the battery into the charger.
- In the section entitled „Charger indicator“ you will find a table with an explanation of the LED indicator on the charger.

The battery can become a little warm during the charging. This is normal.

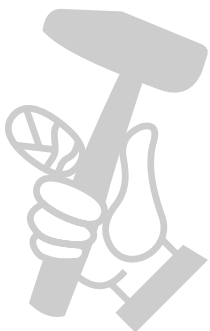
If the battery pack fails to charge, check:

- whether there is voltage at the socket outlet
- whether there is good contact at the charging contacts

If the battery pack still fails to charge, send

- the charger
 - and the battery pack
- to our customer service center.

To ensure that items are properly packaged and delivered when you send them to us, please contact our customer service or the point of sale at which the equipment was purchased.



When shipping or disposing of batteries and cordless tools, always ensure that they are packed individually in plastic bags to prevent short circuits and fires.

To ensure that the battery pack provides long service, you should take care to recharge it promptly. You must recharge the battery pack when you notice that the performance of the device drops. Never allow the battery pack to become fully discharged. This will cause it to develop a defect.

5.5 Battery charge level indicator (Fig. 10)

Press the button for the battery charge level indicator (Item A). The battery charge level indicator (Item B) shows the charge status of the battery using 3 LEDs.

All 3 LEDs are lit:

The battery is fully charged.

2 or 1 LED(s) are lit:

The battery has an adequate remaining charge.

1 LED flashes:

The battery is empty, recharge the battery.

All LEDs blink:

The battery temperature is too low. Remove the battery from the equipment, keep it at room temperature for one day. If the fault reoccurs, this means that the rechargeable battery has undergone exhaustive discharge and is defective. Remove the battery from the equipment. Never use or charge a defective battery.

6. Operation

Warning! The cultivator blades will begin to rotate immediately after the machine is switched on. Keep your hands and feet away from rotating parts.

6.1 Switching on the machine (Fig. 8)

While you hold the machine securely with your hands on the handles, press the safety lock-off (Item 12) and the On/Off switch (Item 13). Then release the safety lock-off again.

6.2 Switching off the machine (Fig. 8)

Release the On/Off switch (Item 13).

6.3 Speed controller (Fig. 8)

Turn the speed controller (Item 2) to set the speed (1 = minimum / 6 = maximum) of the cultivator blades (Fig. 1/Item 11). This enables individual adjustment to the area you want to work on. The numbers 2 – 5 marked on the speed controller are provided as extra indication of the set speed.

Repeat this process (6.1 – 6.3) several times so that you are sure that your equipment is functioning correctly.

6.4 Working the soil

Tips for proper working

Place the machine in front of the area you want to work on and hold it securely by the handles (Fig. 1/Item 1) before you switch it on.

Place the machine in front of the area you wish to hoe and hold it securely on the push bar before you switch on the machine. Guide the hoe blades over the area.

To achieve cleanly hoed soil always ensure that you guide the machine in straight lines wherever possible. In so doing, the aeration swaths should always overlap each other by a few centimeters in order to avoid bare strips.

Switch off the motor promptly when you arrive at the end of the area you wished to hoe. The motor must be switched off when you raise the machine (for example to change direction).

Keep the underside of the machine clean and remove soil deposits. Deposits make it more difficult to start the machine and decrease the working depth. Work perpendicular to the slope on inclined areas. The motor must be switched off and the battery removed before you make any checks on the cultivator blades.

Warning!

The hoe blades will continue to rotate for a few seconds after the motor is switched off. Never attempt to manually stop them. In the event that the rotating hoe blade strikes an object, immediately switch off the machine and wait for the hoe blades to come to a complete stop. Then inspect the condition of the hoe blades. Replace any parts that are damaged.

7. Cleaning, maintenance and ordering spare parts

Before parking and cleaning the machine, switch it off and remove the battery/batteries.

7.1 Cleaning

- Keep all safety devices, air vents and the motor housing free of dirt and dust as far as possible. Wipe the equipment with a clean cloth or blow it with compressed air at low pressure.
- We recommend cleaning the machine immediately each time after use.
- Clean the equipment regularly with a moist cloth and some soft soap. Do not use cleaning agents or solvents; these could attack the plastic parts of the equipment. Ensure that no water can seep into the device. The ingress of water into an electric tool increases the risk of an electric shock.
- Use a brush to remove deposits from safety guards.

7.2 Replacing the cultivator blades

For safety reasons we recommend having the cultivator blades replaced by an authorized customer service center.

Warning!

Wear working gloves! Use only original spare parts or correct performance and safety cannot be guaranteed.

7.3 Maintenance

Ensure that all mounting components (i.e. screws, bolts, nuts etc.) are always tightened so that the machine can be safely operated at all times.

All the metal parts should be cleaned and then oil to ensure that they provide a long life. For best results, clean the plastic parts of the machine with a brush or rag. Do not use any solvents to remove dirt.

At the end of the season, perform a general inspection of the machine and remove any deposits which may have accumulated. At the start of each season, ensure that you check the condition of the machine. If repairs are necessary, please contact one of our customer service centers.

There are no parts inside the equipment which require additional maintenance.

7.4 Ordering replacement parts:

Please quote the following data when ordering replacement parts:

- Type of machine
- Article number of the machine
- Identification number of the machine
- Replacement part number of the part required

For our latest prices and information please go to www.Einhell-Service.com

8. Disposal and recycling

The equipment is supplied in packaging to prevent it from being damaged in transit. The raw materials in this packaging can be reused or recycled. The equipment and its accessories are made of various types of material, such as metal and plastic. Never place defective equipment in your household refuse. The equipment should be taken to a suitable collection center for proper disposal. If you do not know the whereabouts of such a collection point, you should ask in your local council offices.

9. Storage

Take out the battery/batteries.

For space-saving storage and transport it is recommended to dismantle the long handle; this is done in reverse order to fitting the long handle (see section 5.1). Remove the wing nut, the washer and the lock bolt, then pull the top long handle off the bottom long handle (Fig. 6b, 6a, 4).

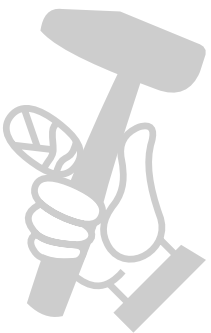
Store the equipment and accessories in a dark and dry place at above freezing temperature. The ideal storage temperature is between 5 and 30 °C. Store the electric tool in its original packaging.

10. Transport

- Take out the battery/batteries.
- Always hold the machine with one hand on the additional handle and the other hand on the carry-handle of the motor housing.
- Secure the machine against slipping if you transport it in a vehicle.
- If possible, use the original packaging for transporting the machine.

11. Troubleshooting guide

Fault	Possible cause	Remedy
The cultivator blades do not rotate	<ul style="list-style-type: none"> a) The battery is empty b) The battery is too cold c) The battery is not correctly inserted d) Insufficient contact or no contact between the long handle and the long handle fastener 	<ul style="list-style-type: none"> a) Replace with a full battery b) Replace with a battery at room temperature c) Remove the battery and reinsert (section 5.3) d) Open the long handle connection, remove the long handle and check the contacts Refasten the long handle. (Section 5.1)
The cultivator blades do not work satisfactorily	<ul style="list-style-type: none"> a) The soil is too hard or stony b) The cultivator blades are heavily soiled c) The cultivator blades are worn 	<ul style="list-style-type: none"> a) The soil is unsuitable b) Clean the cultivator blades c) Replace the cultivator blades



12. Charger indicator

Indicator status		Explanations and actions
Red LED	Green LED	
Off	Flashing	<p>Ready for use The charger is connected to the mains and is ready for use; there is no battery pack in the charger</p>
On	Off	<p>Charging The charger is charging the battery pack in quick charge mode. The charging times are shown directly on the charger. Important! The actual charging times may vary slightly from the stated charging times depending on the existing battery charge.</p>
Off	On	<p>The battery is charged and ready for use. (READY TO GO) The unit then changes over to gentle charging mode until the battery is fully charged. To do this, leave the rechargeable battery on the charger for approx. 15 minutes longer. Action: Take the battery pack out of the charger. Disconnect the charger from the mains supply.</p>
Flashing	Off	<p>Adapted charging The charger is in gentle charging mode. For safety reasons the charging is performed less quickly and takes more time. The reasons can be: - The rechargeable battery has not been used for a very long time. - The battery temperature is outside the ideal range. Action: Wait for the charging to be completed; you can still continue to charge the battery pack.</p>
Flashing	Flashing	<p>Fault Charging is no longer possible. The battery pack is defective. Action: Never charge a defective battery pack. Take the battery pack out of the charger.</p>
On	On	<p>Temperature fault The battery pack is too hot (e.g. due to direct sunshine) or too cold (below 0° C). Action: Remove the battery pack and keep it at room temperature (approx. 20° C) for one day .</p>



For EU countries only

Never place any electric power tools in your household refuse.

To comply with European Directive 2012/19/EC concerning old electric and electronic equipment and its implementation in national laws, old electric power tools have to be separated from other waste and disposed of in an environment-friendly fashion, e.g. by taking to a recycling depot.

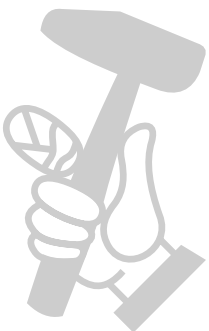
Recycling alternative to the return request:

As an alternative to returning the equipment to the manufacturer, the owner of the electrical equipment must make sure that the equipment is properly disposed of if he no longer wants to keep the equipment. The old equipment can be returned to a suitable collection point that will dispose of the equipment in accordance with the national recycling and waste disposal regulations. This does not apply to any accessories or aids without electrical components supplied with the old equipment.

Please note that batteries and lamps (e.g. light bulbs) must be removed from the tool before it is disposed of.

The reprinting or reproduction by any other means, in whole or in part, of documentation and papers accompanying products is permitted only with the express consent of the Einhell Germany AG.

Subject to technical changes



Service information

We have competent service partners in all countries named on the guarantee certificate whose contact details can also be found on the guarantee certificate. These partners will help you with all service requests such as repairs, spare and wearing part orders or the purchase of consumables.

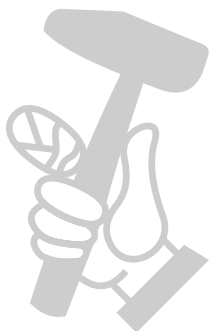
Please note that the following parts of this product are subject to normal or natural wear and that the following parts are therefore also required for use as consumables.

Category	Example
Wear parts*	cultivator blade, battery
Consumables*	
Missing parts	

* Not necessarily included in the scope of delivery!

In the effect of defects or faults, please register the problem on the internet at www.Einhell-Service.com. Please ensure that you provide a precise description of the problem and answer the following questions in all cases:

- Did the equipment work at all or was it defective from the beginning?
- Did you notice anything (symptom or defect) prior to the failure?
- What malfunction does the equipment have in your opinion (main symptom)? Describe this malfunction.



Warranty certificate

Dear Customer,

All of our products undergo strict quality checks to ensure that they reach you in perfect condition. In the unlikely event that your device develops a fault, please contact our service department at the address shown on this guarantee card. You can also contact us by telephone using the service number shown. Please note the following terms under which guarantee claims can be made:

1. These guarantee terms apply to consumers only, i.e. natural persons intending to use this product neither for their commercial activities nor for any other self-employed activities. These warranty terms regulate additional warranty services, which the manufacturer mentioned below promises to buyers of its new products in addition to their statutory rights of guarantee. Your statutory guarantee claims are not affected by this guarantee. Our guarantee is free of charge to you.
2. The warranty services cover only defects due to material or manufacturing faults on a product which you have bought from the manufacturer mentioned below and are limited to either the rectification of said defects on the product or the replacement of the product, whichever we prefer.
Please note that our devices are not designed for use in commercial, trade or professional applications. A guarantee contract will not be created if the device has been used by commercial, trade or industrial business or has been exposed to similar stresses during the guarantee period.
3. The following are not covered by our guarantee:
 - Damage to the device caused by a failure to follow the assembly instructions or due to incorrect installation, a failure to follow the operating instructions (for example connecting it to an incorrect mains voltage or current type) or a failure to follow the maintenance and safety instructions or by exposing the device to abnormal environmental conditions or by lack of care and maintenance.
 - Damage to the device caused by abuse or incorrect use (for example overloading the device or the use of unapproved tools or accessories), ingress of foreign bodies into the device (such as sand, stones or dust, transport damage), the use of force or damage caused by external forces (for example by dropping it).
 - Damage to the device or parts of the device caused by normal or natural wear or tear or by normal use of the device.
4. The guarantee is valid for a period of 24 months starting from the purchase date of the device. Guarantee claims should be submitted before the end of the guarantee period within two weeks of the defect being noticed. No guarantee claims will be accepted after the end of the guarantee period. The original guarantee period remains applicable to the device even if repairs are carried out or parts are replaced. In such cases, the work performed or parts fitted will not result in an extension of the guarantee period, and no new guarantee will become active for the work performed or parts fitted. This also applies if an on-site service is used.
5. To make a claim under the guarantee, please register the defective device at: www.Einhell-Service.com. Please keep your bill of purchase or other proof of purchase for the new device. Devices that are returned without proof of purchase or without a rating plate shall not be covered by the guarantee, because appropriate identification will not be possible. If the defect is covered by our guarantee, then the item in question will either be repaired immediately and returned to you or we will send you a new replacement.

Of course, we are also happy offer a chargeable repair service for any defects which are not covered by the scope of this guarantee or for units which are no longer covered. To take advantage of this service, please send the device to our service address.

Also refer to the restrictions of this warranty concerning wear parts, consumables and missing parts as set out in the service information in these operating instructions.

