

# Einhell

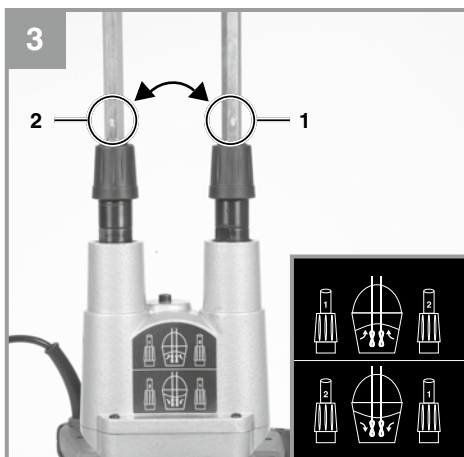
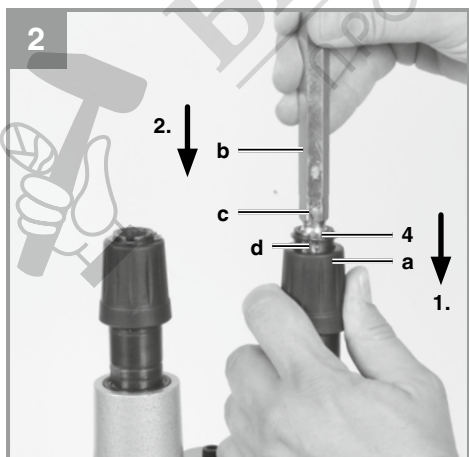
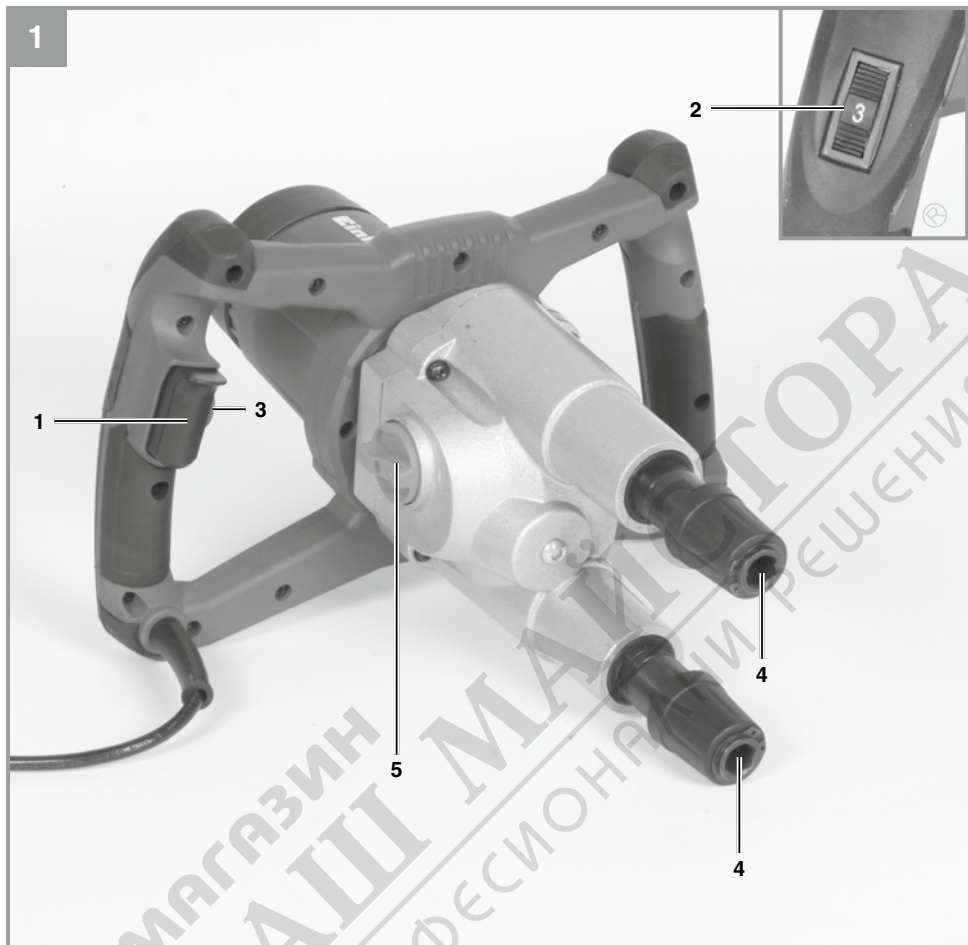
## TE-MX 1600-2 CE Twin

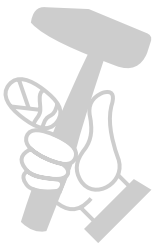
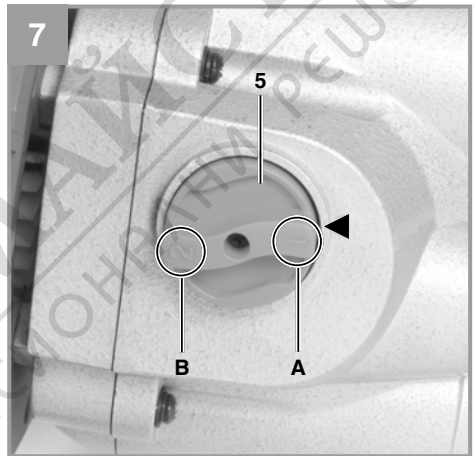
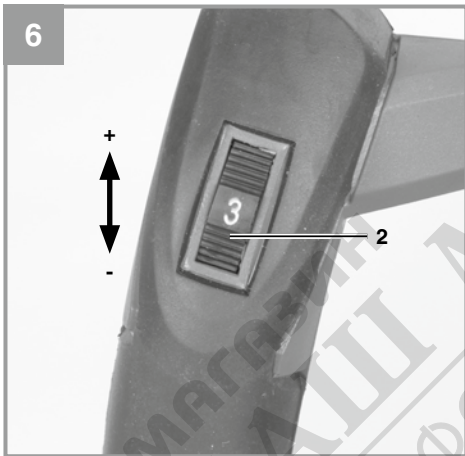
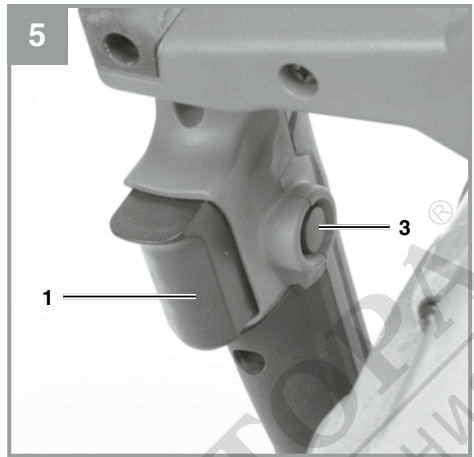
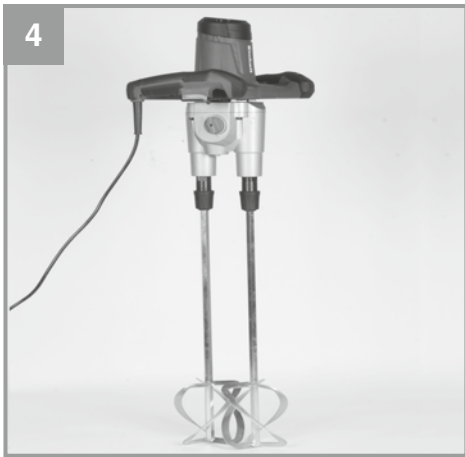
D	Originalbetriebsanleitung Farb-Mörtelrührer	NL	Originele handleiding Verf- en mortelmenger
GB	Original operating instructions Paint and mortar mixer	E	Manual de instrucciones original Batidor mezclador
F	Instructions d'origine Mélangeur de mortier et peinture	RUS	Оригинальное руководство по эксплуатации Смеситель
I	Istruzioni per l'uso originali Miscelatore	SLO	Originalna navodila za uporabo Mešalnik za barvo, malto
DK/ N	Original betjeningsvejledning Farve-/mørtelomrører	H	Eredeti használati utasítás Mešalnik za barvo, malto
S	Original-bruksanvisning Färg- och bruksomrörare	RO	Instrucțiuni de utilizare originale Amestecător de vopsea - mortar
CZ	Originální návod k obsluze Míchadlo na barvu a maltu	GR	Πρωτότυπες Οδηγίες χρήσης Αναδευτήρας χρωμάτων
SK	Originálny návod na obsluhu Miešadlo na farbu a maltu		



Art.-Nr.: 42.585.61

I.-Nr.: 21020







**Danger!** - Read the operating instructions to reduce the risk of injury



**Caution! Wear ear-muffs.** The impact of noise can cause damage to hearing.



**Caution! Wear a breathing mask.** Dust which is injurious to health can be generated when working on wood and other materials. Never use the device to work on any materials containing asbestos!



**Caution! Wear safety goggles.** Sparks generated during working or splinters, chips and dust emitted by the device can cause loss of sight.



Change the gear only when the drill is at a standstill. If you fail to observe this point, the gearing may be damaged.



**Danger!**

When using the equipment, a few safety precautions must be observed to avoid injuries and damage. Please read the complete operating instructions and safety regulations with due care. Keep this manual in a safe place, so that the information is available at all times. If you give the equipment to any other person, hand over these operating instructions and safety regulations as well. We cannot accept any liability for damage or accidents which arise due to a failure to follow these instructions and the safety instructions.

**1. Safety regulations**

The corresponding safety information can be found in the enclosed booklet.

**Warning!**

**Read all the safety information, instructions, illustrations and technical data provided on or with this power tool.** Failure to adhere to the following instructions may result in electric shock, fire and/or serious injury.

**Keep all the safety information and instructions in a safe place for future use.**

**2. Layout and items supplied****2.1 Layout (Fig. 1)**

1. On/Off switch
2. Speed controller
3. Locking button for On/Off switch
4. Mixing tool mount
5. Gear selector switch

**2.2 Items supplied**

Please check that the article is complete as specified in the scope of delivery. If parts are missing, please contact our service center or the sales outlet where you made your purchase at the latest within 5 working days after purchasing the product and upon presentation of a valid bill of purchase. Also, refer to the warranty table in the service information at the end of the operating instructions.

- Open the packaging and take out the equipment with care.
- Remove the packaging material and any packaging and/or transportation braces (if available).
- Check to see if all items are supplied.
- Inspect the equipment and accessories for

transport damage.

- If possible, please keep the packaging until the end of the guarantee period.

**Danger!**

**The equipment and packaging material are not toys. Do not let children play with plastic bags, foils or small parts. There is a danger of swallowing or suffocating!**

- Paint and mortar mixer
- Mixing tool 2x
- Original operating instructions
- Safety instructions

**3. Proper use**

The machine has been designed to mix liquid and powder building materials such as paint, mortar, adhesive, plaster and similar substances. The relevant mixing action (which depends on the consistency of the materials and the quantity that has to be mixed) must be set up for the appropriate mixing tool.

The equipment is to be used only for its prescribed purpose. Any other use is deemed to be a case of misuse. The user / operator and not the manufacturer will be liable for any damage or injuries of any kind caused as a result of this.

Please note that our equipment has not been designed for use in commercial, trade or industrial applications. Our warranty will be voided if the machine is used in commercial, trade or industrial businesses or for equivalent purposes.

**4. Technical data**

Mains voltage: ..... 220-240 V ~ 50 Hz  
 Power input: ..... 1600 W  
 Idling speed: ..... 180-460 / 300-750 min<sup>-1</sup>  
 Protection class: ..... II/□  
 Weight: ..... 6,8 kg

**Danger!****Sound and vibration**

Sound and vibration values were measured in accordance with EN 62841.

$L_{pA}$ sound pressure level .....	89,1 dB(A)
$K_{pA}$ uncertainty .....	3 dB
$L_{WA}$ sound power level .....	100,1 dB(A)
$K_{WA}$ uncertainty .....	3 dB

**Wear ear-muffs.**

The impact of noise can cause damage to hearing.

Total vibration values (vector sum of three directions) determined in accordance with EN 62841.

**Right handle**

Vibration emission value  $a_n = 1.329 \text{ m/s}^2$   
K uncertainty =  $1.5 \text{ m/s}^2$

**Left handle**

Vibration emission value  $a_n = 1.739 \text{ m/s}^2$   
K uncertainty =  $1.5 \text{ m/s}^2$

The stated vibration emission levels and stated noise emission values were measured in accordance with a set of standardized criteria and can be used to compare one power tool with another.

The stated vibration emission levels and stated noise emission values can also be used to make an initial assessment of exposure.

**Warning:**

The vibration and noise emission levels may vary from the level specified during actual use, depending on the way in which the power tool is used, especially the type of workpiece it is used for.

**Keep the noise emissions and vibrations to a minimum.**

- Only use appliances which are in perfect working order.
- Service and clean the appliance regularly.
- Adapt your working style to suit the appliance.
- Do not overload the appliance.
- Have the appliance serviced whenever necessary.
- Switch the appliance off when it is not in use.
- Wear protective gloves.

**Caution!****Residual risks**

**Even if you use this electric power tool in accordance with instructions, certain residual risks cannot be ruled out. The following hazards may arise in connection with the equipment's construction and layout:**

1. Lung damage if no suitable protective dust mask is used.
2. Damage to hearing if no suitable ear protection is used.
3. Health damage caused by hand-arm vibrations if the equipment is used over a prolonged period or is not properly guided and maintained.

**5. Before starting the equipment**

Before you connect the equipment to the power supply make sure that the data on the rating plate are identical to the supply voltage.

**Warning!**

**Always pull out the power plug before making adjustments to the equipment.**

**5.1 Stirrer assembly (Fig. 2-4):**

- Clean the stirrer (b) before fitting it and grease the stirrer shaft a little with suitable grease.
- Pull back and hold the locking sleeve (a).
- Push the first dust-free stirrer into the stirrer mount as far as it will go. **Important!** The pin (c) on the stirrer shaft must go into the groove (d) on the mount (4)!
- Release the locking sleeve (a). The stirrer will lock automatically.
- Check the lock by pulling the stirrer.
- Repeat the process with the second stirrer.
- To disassemble, proceed in the reverse order.

**5.2 Replacing the stirrers (Fig. 3)**

**The stirrers can be swapped around in order to change the direction of mixing.**

**Left: stirrer 2 / right: stirrer 1**

- The mixture is mixed from the top down. For fluid materials such as:
  - wall paints
  - gypsum-lime plasters
  - sealing compounds

**Left: stirrer 1 / right: stirrer 2**

- The mixture is mixed from the bottom up.  
For tacky and viscous materials such as:
  - tile adhesives
  - ready-mixed mortar
  - filling compounds
  - screeds

**6. Operation****6.1 ON/OFF switch (Fig. 5/Item 1)**

First fit a suitable mixing tool to the equipment (see 5.)

Connect the mains plug to a suitable socket.

**Switching on:**

Press the locking button (3) and the On/Off switch (1) at the same time.

**Switching off:**

Release the locking button and the On/Off switch (1).

**6.2 Speed control (Fig. 6/Item 2)**

To pre-select the speed turn the knurled screw (2) on the switch.

Plus direction:	Higher speed
Minus direction:	Lower speed

**Constant electronics**

This tool is equipped with constant electronics. With constant electronics, the set speed is kept constant even when the tool is working under load.

**6.3 Defining the speed range (Fig. 7/Item 5)**

The gear selector switch (5) enables you to work within a specific speed range.

**Switch position, setting 1 (A)**

Speed range: high torque, low speed

**Switch position, setting 2 (B)**

Speed range: low torque, high speed

**Note!** Change the gear only when the drill is at a standstill. If you fail to observe this point, the gearing may be damaged.

**7. Replacing the power cable****Danger!**

If the power cable for this equipment is damaged, it must be replaced by the manufacturer or its after-sales service or similarly trained personnel to avoid danger.

**8. Cleaning, maintenance and ordering of spare parts****Danger!**

Always pull out the mains power plug before starting any cleaning work.

**8.1 Cleaning**

- Keep all safety devices, air vents and the motor housing free of dirt and dust as far as possible. Wipe the equipment with a clean cloth or blow it with compressed air at low pressure.
- We recommend that you clean the device immediately each time you have finished using it.
- Clean the equipment regularly with a moist cloth and some soft soap. Do not use cleaning agents or solvents; these could attack the plastic parts of the equipment. Ensure that no water can seep into the device. The ingress of water into an electric tool increases the risk of an electric shock.

**8.2 Carbon brushes**

In case of excessive sparking, have the carbon brushes checked only by a qualified electrician.

**Danger!** The carbon brushes should not be replaced by anyone but a qualified electrician.

**8.3 Maintenance**

There are no parts inside the equipment which require additional maintenance.

#### 8.4 Ordering spare parts and accessories

Please provide the following information when ordering spare parts:

- Type of unit
- Article number of the unit
- ID number of the unit
- Spare part number of the required spare part

For our latest prices and information please go to [www.Einhell-Service.com](http://www.Einhell-Service.com)



**Tip! For good results we recommend high-quality accessories from **kwb** !**  
[www.kwb.eu](http://www.kwb.eu)  
[welcome@kwb.eu](mailto:welcome@kwb.eu)

#### 9. Disposal and recycling

The equipment is supplied in packaging to prevent it from being damaged in transit. The raw materials in this packaging can be reused or recycled. The equipment and its accessories are made of various types of material, such as metal and plastic. Never place defective equipment in your household refuse. The equipment should be taken to a suitable collection center for proper disposal. If you do not know the whereabouts of such a collection point, you should ask in your local council offices.

#### 10. Storage

Store the equipment and accessories in a dark and dry place at above freezing temperature. The ideal storage temperature is between 5 and 30 °C. Store the electric tool in its original packaging.







For EU countries only

Never place any electric power tools in your household refuse.

To comply with European Directive 2012/19/EC concerning old electric and electronic equipment and its implementation in national laws, old electric power tools have to be separated from other waste and disposed of in an environment-friendly fashion, e.g. by taking to a recycling depot.

Recycling alternative to the return request:

As an alternative to returning the equipment to the manufacturer, the owner of the electrical equipment must make sure that the equipment is properly disposed of if he no longer wants to keep the equipment. The old equipment can be returned to a suitable collection point that will dispose of the equipment in accordance with the national recycling and waste disposal regulations. This does not apply to any accessories or aids without electrical components supplied with the old equipment.

The reprinting or reproduction by any other means, in whole or in part, of documentation and papers accompanying products is permitted only with the express consent of the Einhell Germany AG.

Subject to technical changes



МАГАЗИН  
БАШ МАЙСОР  
ПРОФЕСИОНАЛНИ РЕШЕНИЯ

## Service information

We have competent service partners in all countries named on the guarantee certificate whose contact details can also be found on the guarantee certificate. These partners will help you with all service requests such as repairs, spare and wearing part orders or the purchase of consumables.

Please note that the following parts of this product are subject to normal or natural wear and that the following parts are therefore also required for use as consumables.

Category	Example
Wear parts*	Carbon brushes
Consumables*	
Missing parts	

\* Not necessarily included in the scope of delivery!

In the effect of defects or faults, please register the problem on the internet at [www.Einhell-Service.com](http://www.Einhell-Service.com). Please ensure that you provide a precise description of the problem and answer the following questions in all cases:

- Did the equipment work at all or was it defective from the beginning?
- Did you notice anything (symptom or defect) prior to the failure?
- What malfunction does the equipment have in your opinion (main symptom)? Describe this malfunction.



## Warranty certificate

Dear Customer,

All of our products undergo strict quality checks to ensure that they reach you in perfect condition. In the unlikely event that your device develops a fault, please contact our service department at the address shown on this guarantee card. You can also contact us by telephone using the service number shown. Please note the following terms under which guarantee claims can be made:

1. These guarantee terms apply to consumers only, i.e. natural persons intending to use this product neither for their commercial activities nor for any other self-employed activities. These warranty terms regulate additional warranty services, which the manufacturer mentioned below promises to buyers of its new products in addition to their statutory rights of guarantee. Your statutory guarantee claims are not affected by this guarantee. Our guarantee is free of charge to you.
2. The warranty services cover only defects due to material or manufacturing faults on a product which you have bought from the manufacturer mentioned below and are limited to either the rectification of said defects on the product or the replacement of the product, whichever we prefer.  
Please note that our devices are not designed for use in commercial, trade or professional applications. A guarantee contract will not be created if the device has been used by commercial, trade or industrial business or has been exposed to similar stresses during the guarantee period.
3. The following are not covered by our guarantee:
  - Damage to the device caused by a failure to follow the assembly instructions or due to incorrect installation, a failure to follow the operating instructions (for example connecting it to an incorrect mains voltage or current type) or a failure to follow the maintenance and safety instructions or by exposing the device to abnormal environmental conditions or by lack of care and maintenance.
  - Damage to the device caused by abuse or incorrect use (for example overloading the device or the use of unapproved tools or accessories), ingress of foreign bodies into the device (such as sand, stones or dust, transport damage), the use of force or damage caused by external forces (for example by dropping it).
  - Damage to the device or parts of the device caused by normal or natural wear or tear or by normal use of the device.
4. The guarantee is valid for a period of 24 months starting from the purchase date of the device. Guarantee claims should be submitted before the end of the guarantee period within two weeks of the defect being noticed. No guarantee claims will be accepted after the end of the guarantee period. The original guarantee period remains applicable to the device even if repairs are carried out or parts are replaced. In such cases, the work performed or parts fitted will not result in an extension of the guarantee period, and no new guarantee will become active for the work performed or parts fitted. This also applies if an on-site service is used.
5. To make a claim under the guarantee, please register the defective device at:  
[www.Einhell-Service.com](http://www.Einhell-Service.com). Please keep your bill of purchase or other proof of purchase for the new device. Devices that are returned without proof of purchase or without a rating plate shall not be covered by the guarantee, because appropriate identification will not be possible. If the defect is covered by our guarantee, then the item in question will either be repaired immediately and returned to you or we will send you a new replacement.

Of course, we are also happy offer a chargeable repair service for any defects which are not covered by the scope of this guarantee or for units which are no longer covered. To take advantage of this service, please send the device to our service address.

Also refer to the restrictions of this warranty concerning wear parts, consumables and missing parts as set out in the service information in these operating instructions.