

Einhell

GC-EL 3024 E

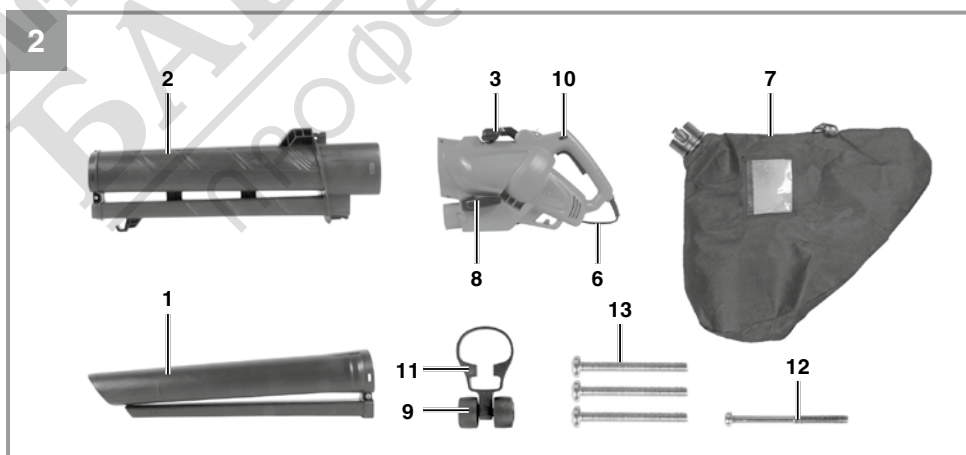
D	Originalbetriebsanleitung Elektro-Laubsauger	P	Manual de instruções original Aspirador de folhas eléctrico
GB	Original operating instructions Electric blower vac	HR/ BIH	Originalne upute za uporabu Električni usisavač lišća
F	Instructions d'origine Aspirateur de feuilles électrique	RS	Originalna uputstva za upotrebu Električni usisavač lišća
I	Istruzioni per l'uso originali Aspiratore di foglie elettrico	PL	Instrukcją oryginalną Elektryczny odkurzacz do liści
DK/ N	Original betjeningsvejledning El-dreven løvsuger		
S	Original-bruksanvisning Elektrisk lövsug		
NL	Originele handleiding Elektrische bladzuiger		
E	Manual de instrucciones original Aspirador de hojas eléctrico		
SLO	Originalna navodila za uporabo Električni sesalnik za listje		
GR	Πρωτότυπες Οδηγίες χρήσης Ηλεκτρικός αναρροφητήρας φυλλων		

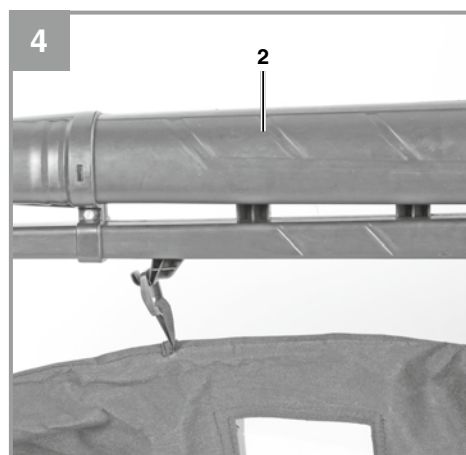
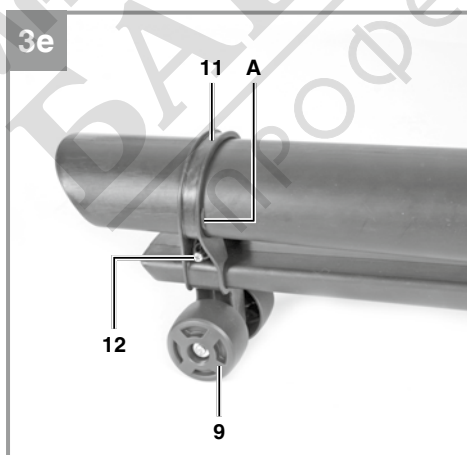
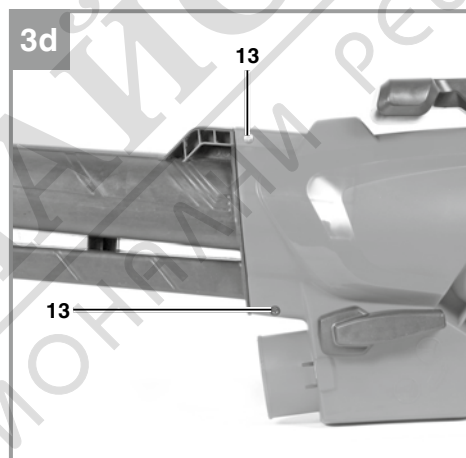
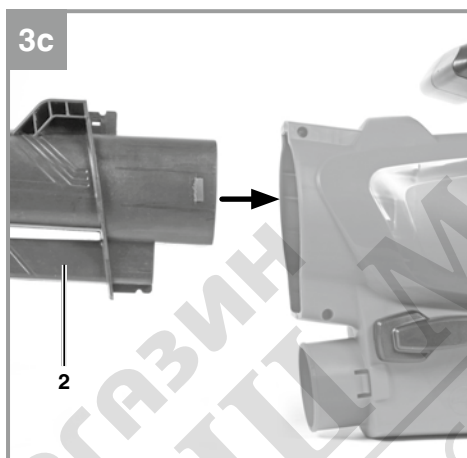
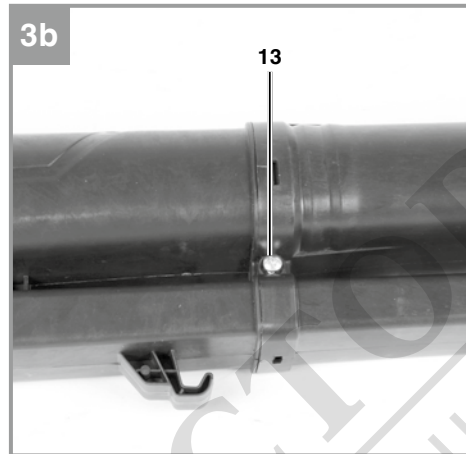
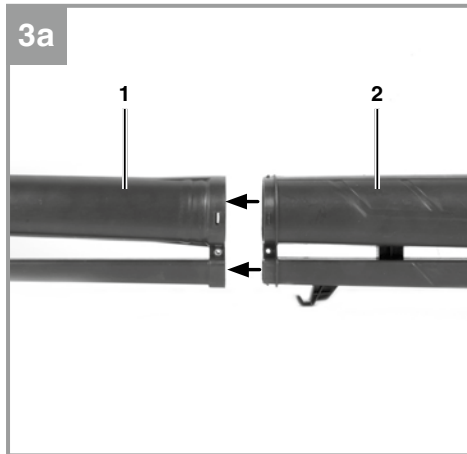
13

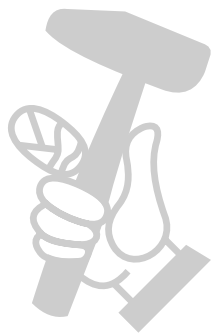
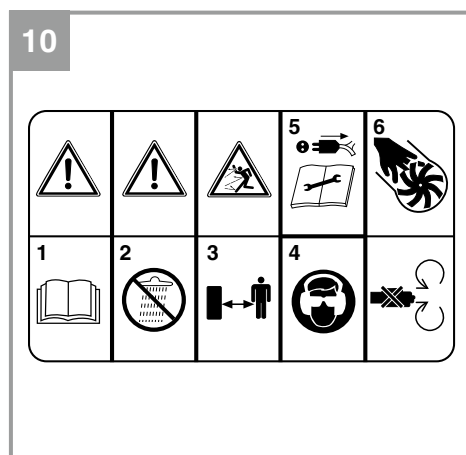
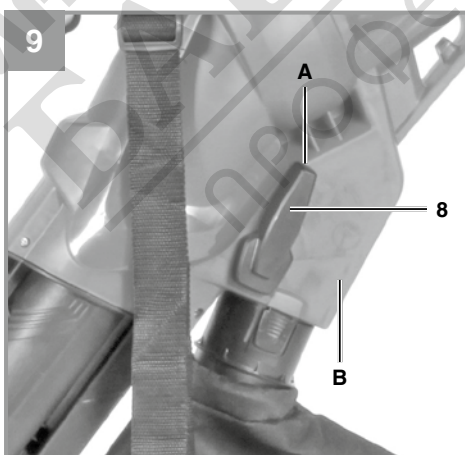
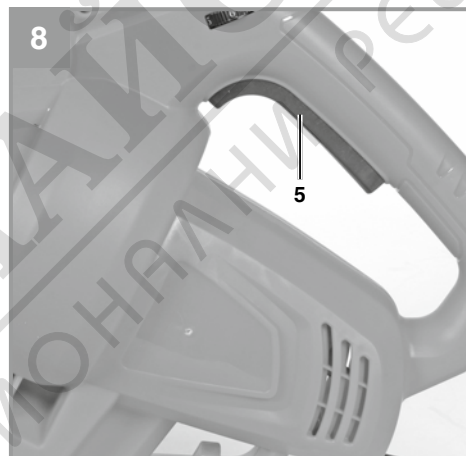
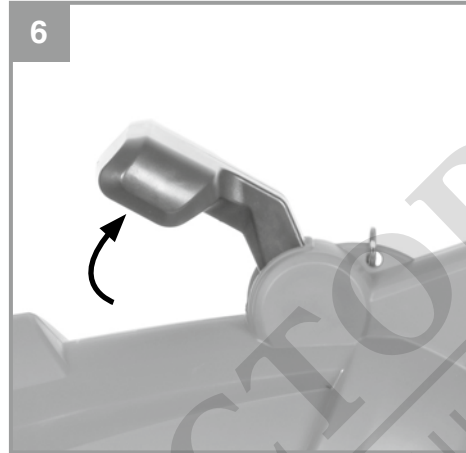
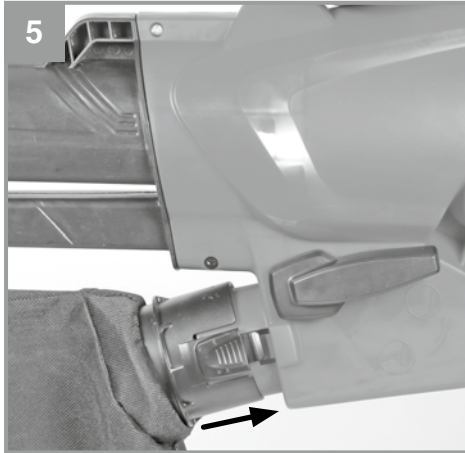


Art.-Nr.: 34.333.70

I.-Nr.: 21010







МАРБЭН МАНІСТОРА
 ВОНАМТК ПРЭШЭНІЯ

Danger!

When using the equipment, a few safety precautions must be observed to avoid injuries and damage. Please read the complete operating instructions and safety regulations with due care. Keep this manual in a safe place, so that the information is available at all times. If you give the equipment to any other person, hand over these operating instructions and safety regulations as well. We cannot accept any liability for damage or accidents which arise due to a failure to follow these instructions and the safety instructions.

1. Safety regulations**Danger!****Read all safety regulations and instructions.**

Any errors made in following the safety regulations and instructions may result in an electric shock, fire and/or serious injury.

Keep all safety regulations and instructions in a safe place for future use.**General instructions**

- Read the complete operating manual with due care. Acquaint yourself with the controls and how to use the tool.
- All persons (including children) who, for reasons of physical, sensory or mental ability or inexperience or lack of knowledge, are not in a position to be able to use this device safely, should not use the device unsupervised or without instruction by or from a responsible person. Children must always be supervised in order to ensure that they do not play with the device.
- Never allow children to use the tool.
- Never allow other persons who are not familiar with the operating instructions to use the tool. Contact your local government offices for information regarding minimum age requirements for operating the tool.
- Never use the tool when there are people – particularly children – or pets nearby.
- The user is responsible for any accidents or hazards suffered by third parties or their property.

Preparation

- Always wear sturdy footwear and long trousers when using the tool.
- Never wear loose fitting clothes or jewelry. They may get drawn into the suction opening. Rubber gloves and non-slip shoes are recommended when working outdoors. Wear a hair net if you have long hair.
- Wear safety goggles while you work.
- Use a dust mask when working on dusty jobs
- Always check the tool, the power cable and the extension cable before using the tool. Only operate the tool when it is in good working order and is not damaged in any way. Damaged parts have to be replaced immediately by a qualified electrician.
- Never use the tool if any of its safety devices or guards are damaged or if any safety attachments such as deflectors and/or grass catching devices are missing.
- When working outdoors, use only extension cables which are approved for outdoor use. Extension cables must have a minimum cross-section of 1.5 mm². The plug connections must be splash-proof.

Operation

- Always trail the power cable behind the tool.
- If the power cable or extension cable is damaged, pull the plug out of the socket. **NEVER TOUCH THE CABLE BEFORE THE PLUG HAS BEEN PULLED OUT OF THE SOCKET.**
- Do not carry the tool by its power cable.
- Always pull out the power plug:
 - when the tool is not being used, when it is being transported or when you leave it unsupervised.
 - when you are checking the tool, cleaning it or removing blockages.
 - when you want to carry out cleaning or maintenance work on the tool or replace accessories.
 - after the tool impacts with foreign bodies or you notice unusual vibrations.
- Use the tool only in broad daylight or in well-lit conditions.
- Do not underestimate the forces involved. Make sure you stand squarely and keep your balance at all times.
- If possible, avoid using the tool on wet grass.
- Ensure that you maintain a steady foothold particularly while working on slopes.
- Always walk. Never run.

- Always keep the ventilation opening clean.
- Never direct the vacuum/blow hole at persons or animals.
- The machine may only be used at reasonable times of the day, i.e. not in the early morning or late evening when it will be a nuisance to other people. Permitted times of use specified by local authorities must be observed.
- The machine must be run at the lowest possible motor speed required to carry out the work.
- Remove all foreign objects with a rake and brush before starting any blowing work.
- Where conditions are dusty, dampen the surface a little or use a sprinkler attachment.
- Use the full-length blower nozzle extension so that the air current can work near to the ground.
- Watch out for children, pets, open windows etc. and blow the foreign objects safely away from them.

Maintenance and storage

- Check that all nuts, bolts and screws are securely tightened in order to be sure that the machine is in a safe working condition.
- Frequently check the debris bag for signs of wear and deformation.
- Use only genuine accessories and spare parts.
- For your own safety, replace worn or damaged parts without delay.
- Electric tools should be kept in a dry place when not in use.
- If the mains cable for this device is damaged, it must be replaced by the manufacturer or its after-sales service or similarly trained personnel to avoid danger.

The tool can be plugged into any socket-outlet (with 230 V AC) that is equipped with a 10A fuse or higher. The socket-outlet has to be safeguarded by an earth-leakage circuit breaker (e.l.c.b.). The operating current must not exceed 30 mA.

Explanation of the warning signs on the equipment (see Fig. 10)

1. Read the directions for use before operating the tool.
2. Do not use the tool in rain or snow. Do not expose the tool to wet conditions.
3. Keep all other persons away from the danger zone.
4. Wear goggles and ear muffs.

5. Switch off the tool and pull out the power plug before carrying out any cleaning or maintenance work.
6. Rotating parts. Keep your hands and feet away from all openings.

2. Layout and items supplied

2.1 Layout (Fig. 1/2)

1. Front suction tube
2. Rear suction tube
3. Additional handle
4. Harness
5. On/Off switch
6. Power cable
7. Debris bag
8. Selector switch for blower/vac
9. Castors
10. Speed controller
11. Wheel support
12. Long screw (1x)
13. Short screw (3x)

2.2 Items supplied

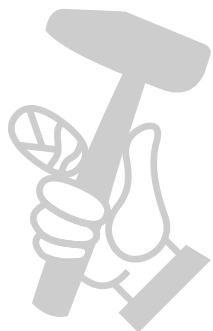
Please check that the article is complete as specified in the scope of delivery. If parts are missing, please contact our service center or the sales outlet where you made your purchase at the latest within 5 working days after purchasing the product and upon presentation of a valid bill of purchase. Also, refer to the warranty table in the service information at the end of the operating instructions.

- Open the packaging and take out the equipment with care.
- Remove the packaging material and any packaging and/or transportation braces (if available).
- Check to see if all items are supplied.
- Inspect the equipment and accessories for transport damage.
- If possible, please keep the packaging until the end of the guarantee period.

Danger!

The equipment and packaging material are not toys. Do not let children play with plastic bags, foils or small parts. There is a danger of swallowing or suffocating!

- Original operating instructions




3. Proper use

The garden blower vac is designed to handle only foliage and garden refuse such as grass and small branches. Any other use is prohibited.

The equipment is to be used only for its prescribed purpose. Any other use is deemed to be a case of misuse. The user / operator and not the manufacturer will be liable for any damage or injuries of any kind caused as a result of this.

Please note that our equipment has not been designed for use in commercial, trade or industrial applications. Our warranty will be voided if the machine is used in commercial, trade or industrial businesses or for equivalent purposes.

4. Technical data

AC motor.....	230-240 V~ / 50 Hz
Output	3000 watts
no load speed n_0	7000-13500 min ⁻¹
Protection class	II / 
Air velocity	240 km/h
Suction rate.....	650 m ³ /h
Volume of debris bag	approx. 40 l
Sound volume level L_{WA}	100.3 dB (A)
K uncertainty	3 dB(A)
Sound pressure level L_{pA}	86.3 dB (A)
Vibration a_{hv}	2.765 m/s ²
K uncertainty	1.5 m/s ²
Weight	3.3 kg

Keep the noise emissions and vibrations to a minimum.

- Only use appliances which are in perfect working order.
- Service and clean the appliance regularly.
- Adapt your working style to suit the appliance.
- Do not overload the appliance.
- Have the appliance serviced whenever necessary.
- Switch the appliance off when it is not in use.
- Wear protective gloves.

Caution!

Residual risks

Even if you use this electric power tool in accordance with instructions, certain residual risks cannot be ruled out. The following hazards may arise in connection with the equipment's construction and layout:

1. Lung damage if no suitable protective dust mask is used.
2. Damage to hearing if no suitable ear protection is used.
3. Health damage caused by hand-arm vibrations if the equipment is used over a prolonged period or is not properly guided and maintained.

5. Before starting the equipment

Before you connect the equipment to the mains supply make sure that the data on the rating plate are identical to the mains data.

Warning!

Always pull the power plug before making adjustments to the equipment.

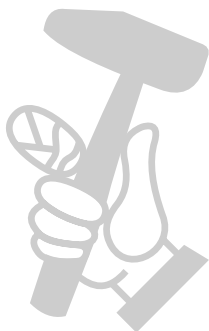
5.1. Mounting the suction tube (Fig. 3a-3e)

- Plug together the front and rear suction tube (Fig. 3a) and secure with the screw (Fig. 3b/Item 13).
- Now slide the complete suction tube into the motor housing (Fig. 3c) and secure with the screws (Fig. 3d/Item 13).
- Slide the wheel support (Fig. 3e/Item 11) onto the front suction tube as far as the stop (Fig. 3e/Item A) and secure with the screw (Fig. 3e/Item 12).

Note: Please note that the two vacuum tubes must always be joined together before they are mounted on the motor housing, and that they must never be taken apart when mounted!

5.2. Mounting the debris bag (Fig. 4-5)

Hang the hook on the suction tube (Fig. 4 / Item 2). Then slip the debris bag over the socket on the motor housing; it engages correctly when it makes an audible click (Fig. 5).



5.3 Fitting the additional handle (Fig. 6)

Swing the additional handle in the direction of the arrow as shown in Fig. 6.

Start up the equipment only when fully assembled. Always inspect the power cable for damage before starting up. The equipment may be used only if the cable is in flawless condition.

6. Operation

6.1 Sizing the strap (Fig. 1)

Size the length of the carrying strap (4) so that the vacuum tube just clears the ground. The guide rollers (9) at the bottom end of the suction tube will help you to maneuver the suction tube on the ground.

6.2 Connecting the tool to the power supply and switching on (Fig. 7-8)

The tool can be plugged into any socket-outlet (with 230 V AC) that is equipped with a 10A fuse or higher. The socket-outlet has to be safeguarded by an earth-leakage circuit breaker (e.l.c.b.). The operating current must not exceed 30 mA.

- Insert the tool plug into the power cord coupling (extension).
- Secure the power cord with the sleeve provided on the tool as shown (Fig. 7).
- To switch on, press the On/Off switch (5).
- To switch off, let go of the On/Off switch (5).

6.3 Selecting the mode of operation

6.3.1 Suctioning (Fig. 9)

Turn the lever (Fig. 9/Item 8) completely to position A. You can do this both when the device is at a standstill and while it is running.

6.3.2 Blowing (Fig. 9)

- Turn the lever (Fig. 9/Item 8) completely to position B. You can do this both when the device is at a standstill and while it is running.
- Channel the air stream forward and walk slowly to blow foliage or garden refuse into a pile or to clear out hard-to-reach places.
- Important! Empty the debris bag before blowing. Otherwise, the material that has been vacuumed up could drop out.

6.4 Emptying the debris bag and pre-screen (Fig. 1)

Empty the debris bag (7) in good time. When the bag is heavily loaded with material, vacuum power is considerably reduced. Deposit organic refuse at a compost site.

- Switch off the tool and pull out the plug.
- Open the zipper on the debris bag (7) and shake out the material.
- Close the zip on the debris bag (7) again.

6.5 Speed control (Fig. 1)

The device is fitted with an electronic speed controller. To use it, turn the speed controller (Fig. 1/Item 10) to the desired position. Use the device only with the speed which is actually required and do not let it run at a speed which is faster than necessary.

7. Replacing the power cable

Danger!

If the power cable for this equipment is damaged, it must be replaced by the manufacturer or its after-sales service or similarly trained personnel to avoid danger.

8. Cleaning, maintenance and ordering of spare parts

Danger!

Always pull out the mains power plug before starting any cleaning work.

8.1 Cleaning

- Keep all safety devices, air vents and the motor housing free of dirt and dust as far as possible. Wipe the equipment with a clean cloth or blow it with compressed air at low pressure.
- We recommend that you clean the device immediately each time you have finished using it.
- Clean the equipment regularly with a moist cloth and some soft soap. Do not use cleaning agents or solvents; these could attack the plastic parts of the equipment. Ensure that no water can seep into the device.
- After shaking out the debris bag, turn it inside out and thoroughly clean it in order to prevent mould and unpleasant odors from forming.

- You can use soap and water to clean out a heavily soiled debris bag.
- Rub a bar of dry soap across the zipper teeth if the zipper becomes difficult to pull.
- Clean the vacuum/blower tube with a brush upon evidence of dirt and grime.
- Dirt and grime can make the switch (blower/vacuum) more difficult to operate as a result of the material that swirls up off the ground. When this occurs, simply flip the switch back and forth a few times, which should bring it back to the normal feel.

8.2 Maintenance

- Should the tool experience problems beyond those mentioned above, let only an authorized professional or a customer service shop perform an inspection.
- There are no parts inside the equipment which require additional maintenance.

8.3 Ordering replacement parts:

Please quote the following data when ordering replacement parts:

- Type of machine
- Article number of the machine
- Identification number of the machine
- Replacement part number of the part required

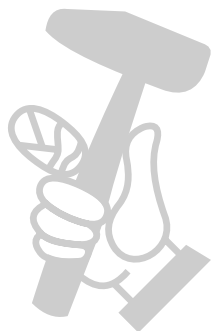
For our latest prices and information please go to www.Einhell-Service.com

9. Disposal and recycling

The equipment is supplied in packaging to prevent it from being damaged in transit. The raw materials in this packaging can be reused or recycled. The equipment and its accessories are made of various types of material, such as metal and plastic. Never place defective equipment in your household refuse. The equipment should be taken to a suitable collection center for proper disposal. If you do not know the whereabouts of such a collection point, you should ask in your local council offices.

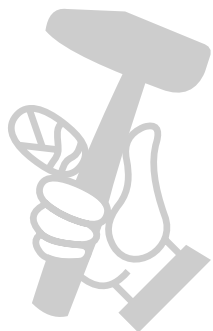
10. Storage

Store the equipment and accessories in a dark and dry place at above freezing temperature. The ideal storage temperature is between 5 and 30 °C. Store the electric tool in its original packaging.



11. Troubleshooting guide

Fault	Possible cause	Remedy
Motor does not start	<ul style="list-style-type: none">- No voltage present.- Power cord defective- Motor terminals disconnected	<ul style="list-style-type: none">- Check the cord and fuses- Have the unit checked by a customer service workshop- Have the unit checked by a customer service workshop





For EU countries only

Never place any electric power tools in your household refuse.

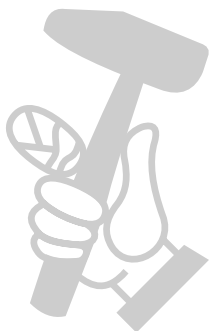
To comply with European Directive 2012/19/EC concerning old electric and electronic equipment and its implementation in national laws, old electric power tools have to be separated from other waste and disposed of in an environment-friendly fashion, e.g. by taking to a recycling depot.

Recycling alternative to the return request:

As an alternative to returning the equipment to the manufacturer, the owner of the electrical equipment must make sure that the equipment is properly disposed of if he no longer wants to keep the equipment. The old equipment can be returned to a suitable collection point that will dispose of the equipment in accordance with the national recycling and waste disposal regulations. This does not apply to any accessories or aids without electrical components supplied with the old equipment.

The reprinting or reproduction by any other means, in whole or in part, of documentation and papers accompanying products is permitted only with the express consent of the Einhell Germany AG.

Subject to technical changes



Service information

We have competent service partners in all countries named on the guarantee certificate whose contact details can also be found on the guarantee certificate. These partners will help you with all service requests such as repairs, spare and wearing part orders or the purchase of consumables.

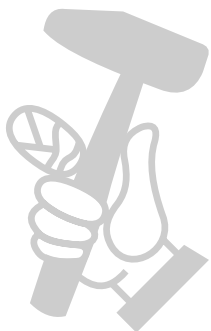
Please note that the following parts of this product are subject to normal or natural wear and that the following parts are therefore also required for use as consumables.

Category	Example
Wear parts*	Carbon brushes
Consumables*	
Missing parts	

* Not necessarily included in the scope of delivery!

In the effect of defects or faults, please register the problem on the internet at www.Einhell-Service.com. Please ensure that you provide a precise description of the problem and answer the following questions in all cases:

- Did the equipment work at all or was it defective from the beginning?
- Did you notice anything (symptom or defect) prior to the failure?
- What malfunction does the equipment have in your opinion (main symptom)? Describe this malfunction.



Warranty certificate

Dear Customer,

All of our products undergo strict quality checks to ensure that they reach you in perfect condition. In the unlikely event that your device develops a fault, please contact our service department at the address shown on this guarantee card. You can also contact us by telephone using the service number shown. Please note the following terms under which guarantee claims can be made:

1. These guarantee terms apply to consumers only, i.e. natural persons intending to use this product neither for their commercial activities nor for any other self-employed activities. These warranty terms regulate additional warranty services, which the manufacturer mentioned below promises to buyers of its new products in addition to their statutory rights of guarantee. Your statutory guarantee claims are not affected by this guarantee. Our guarantee is free of charge to you.
2. The warranty services cover only defects due to material or manufacturing faults on a product which you have bought from the manufacturer mentioned below and are limited to either the rectification of said defects on the product or the replacement of the product, whichever we prefer.
Please note that our devices are not designed for use in commercial, trade or professional applications. A guarantee contract will not be created if the device has been used by commercial, trade or industrial business or has been exposed to similar stresses during the guarantee period.
3. The following are not covered by our guarantee:
 - Damage to the device caused by a failure to follow the assembly instructions or due to incorrect installation, a failure to follow the operating instructions (for example connecting it to an incorrect mains voltage or current type) or a failure to follow the maintenance and safety instructions or by exposing the device to abnormal environmental conditions or by lack of care and maintenance.
 - Damage to the device caused by abuse or incorrect use (for example overloading the device or the use of unapproved tools or accessories), ingress of foreign bodies into the device (such as sand, stones or dust, transport damage), the use of force or damage caused by external forces (for example by dropping it).
 - Damage to the device or parts of the device caused by normal or natural wear or tear or by normal use of the device.
4. The guarantee is valid for a period of 24 months starting from the purchase date of the device. Guarantee claims should be submitted before the end of the guarantee period within two weeks of the defect being noticed. No guarantee claims will be accepted after the end of the guarantee period. The original guarantee period remains applicable to the device even if repairs are carried out or parts are replaced. In such cases, the work performed or parts fitted will not result in an extension of the guarantee period, and no new guarantee will become active for the work performed or parts fitted. This also applies if an on-site service is used.
5. To make a claim under the guarantee, please register the defective device at: www.Einhell-Service.com. Please keep your bill of purchase or other proof of purchase for the new device. Devices that are returned without proof of purchase or without a rating plate shall not be covered by the guarantee, because appropriate identification will not be possible. If the defect is covered by our guarantee, then the item in question will either be repaired immediately and returned to you or we will send you a new replacement.

Of course, we are also happy offer a chargeable repair service for any defects which are not covered by the scope of this guarantee or for units which are no longer covered. To take advantage of this service, please send the device to our service address.

Also refer to the restrictions of this warranty concerning wear parts, consumables and missing parts as set out in the service information in these operating instructions.

