

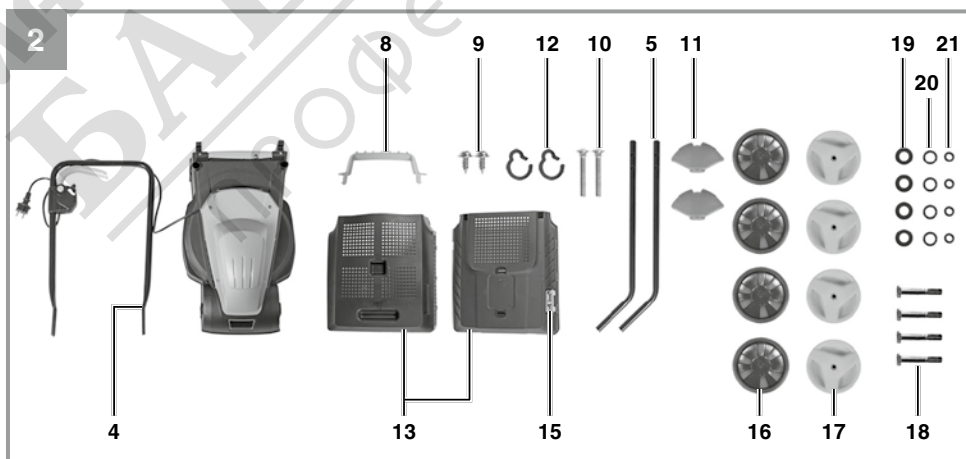
D	Originalbetriebsanleitung Elektro-Rasenmäher	FIN	Alkuperäiskäyttöohje Sähkökäyttöinen ruohonleikkuri
GB	Original operating instructions Electric Lawn Mower	SLO	Originalna navodila za uporabo Električna kosilnica
F	Instructions d'origine Tondeuse à gazon électrique	H	Eredeti használati utasítás Elektromos-Fűnyírógép
I	Istruzioni per l'uso originali Tosaerba elettrico	RO	Instrucțiuni de utilizare originale Motocositoare electrică
DK/ N	Original betjeningsvejledning El-dreven græsslåmaskine	GR	Πρωτότυπες Οδηγίες χρήσης Ηλεκτρικό χλοοκοπτικό
S	Original-bruksanvisning Elgräsklippare	P	Manual de instrucções original Corta-relvas eléctrico
CZ	Originální návod k obsluze Elektrická sekačka	HR/ BIH	Originalne upute za uporabu Električna kosilica za travu
SK	Originálny návod na obsluhu Elektrická kosačka	RS	Originalna uputstva za upotrebu Električna kosilica
NL	Originele handleiding Elektrische gazonmaaier	PL	Instrukcją oryginalną Kosiarka elektryczna
E	Manual de instrucciones original Cortacésped eléctrico	TR	Orijinal Kullanma Talimatı Elektrikli Çim Bıçme Makinesi
		EE	Originaalkasutusjuhend Elektriline muruniiduk

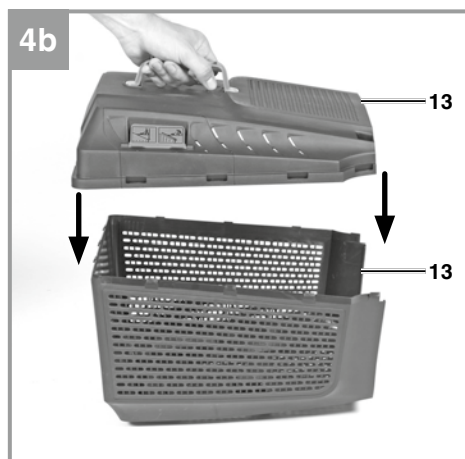
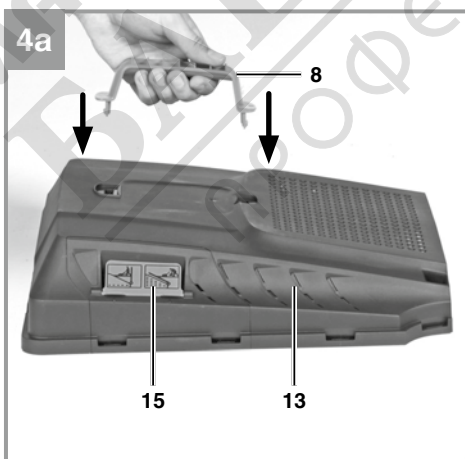
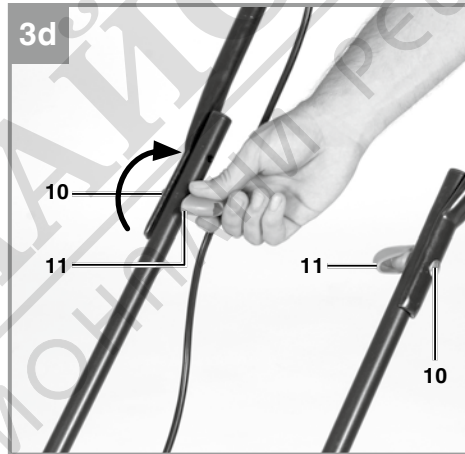
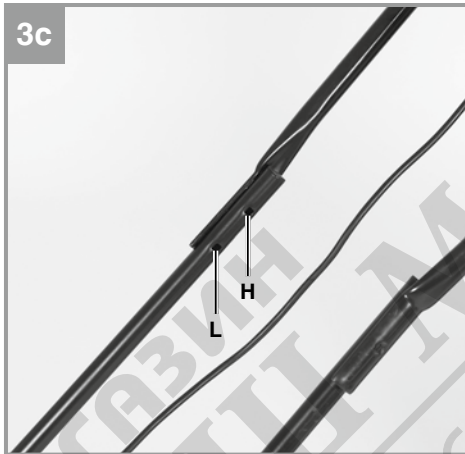
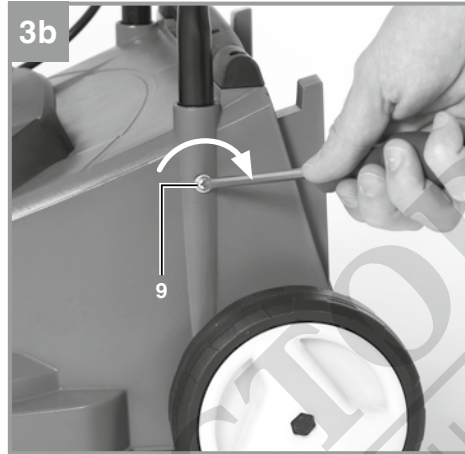
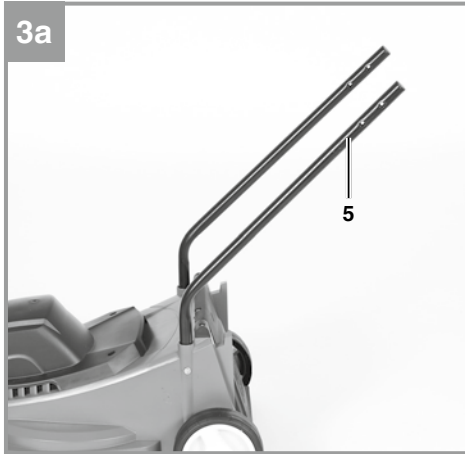
13

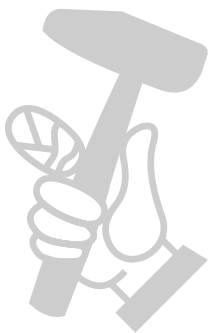
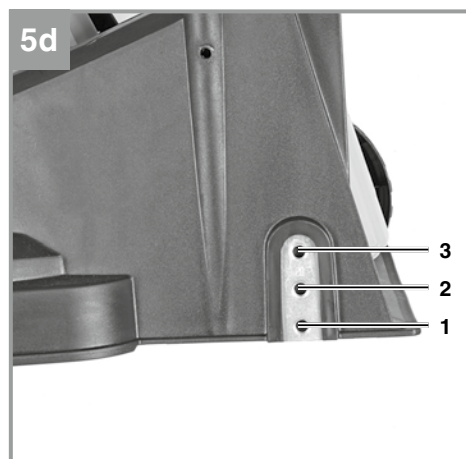
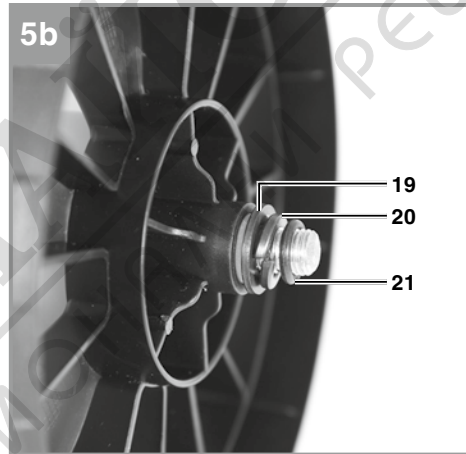
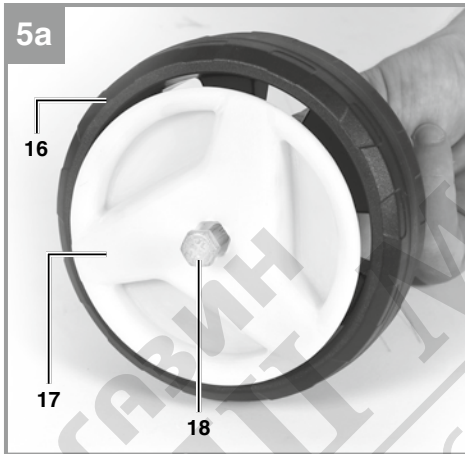
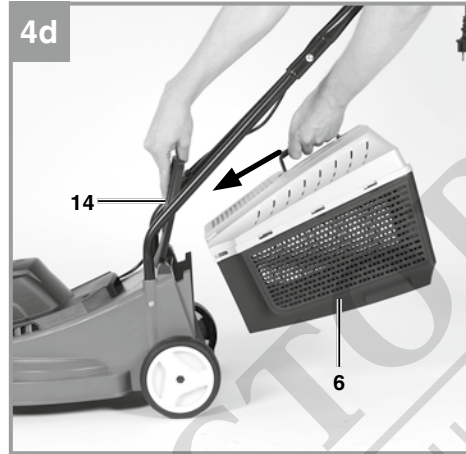
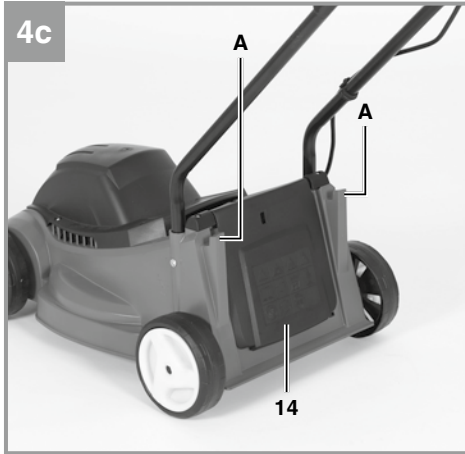


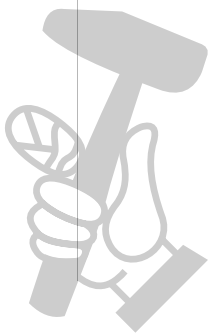
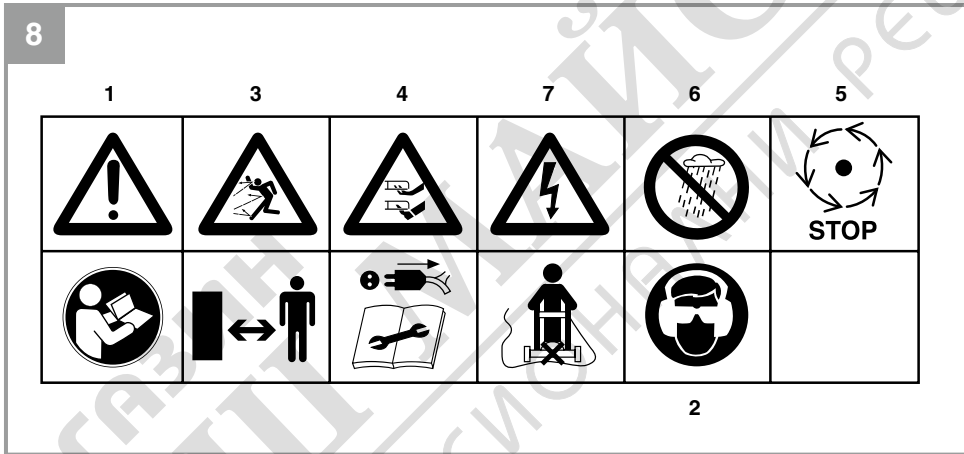
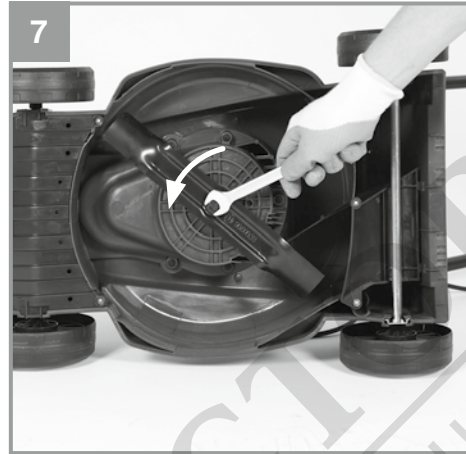
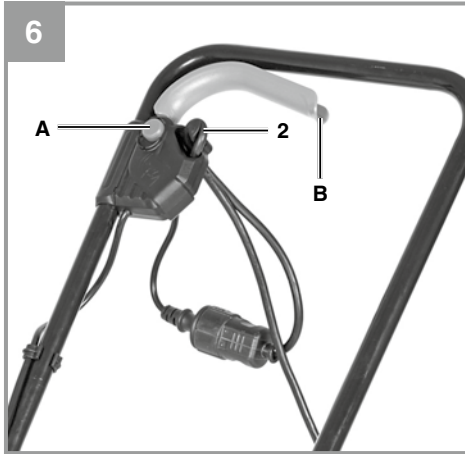
Art.-Nr.: 34.002.57

I.-Nr.: 21044









Danger!

When using the equipment, a few safety precautions must be observed to avoid injuries and damage. Please read the complete operating instructions and safety regulations with due care. Keep this manual in a safe place, so that the information is available at all times. If you give the equipment to any other person, hand over these operating instructions and safety regulations as well. We cannot accept any liability for damage or accidents which arise due to a failure to follow these instructions and the safety instructions.

Explanation of the warning signs on the equipment (see Fig. 8)

- 1 = Read the directions for use before operating the equipment
- 2 = Wear ear guards and goggles
- 3 = Keep all other persons away from the danger zone
- 4 = Caution! -Sharp blades- Before carrying out any maintenance work or if you damage the cable, pull the plug out of the socket.
- 5 = Caution: The cutters continue to run after the motor is switched off
- 6 = Do not expose the equipment to rain or moisture
- 7 = Caution: Keep the power cable away from the cutters!

1. Safety regulations

The corresponding safety information can be found in the enclosed booklet.

Warning!

Read all the safety information, instructions, illustrations and technical data provided on or with this power tool. Failure to adhere to the following instructions may result in electric shock, fire and/or serious injury.

Keep all the safety information and instructions in a safe place for future use.

2. Layout and items supplied**2.1 Layout (Fig. 1/2)**

1. On/Off switch
2. Strain-relief clip
3. Power plug
4. Top push bar
5. Bottom push bar
6. Catch basket
7. Carry-handle
8. Grass box handle
9. Fastening screws for bottom push bar
10. Fastening screws for top push bar
11. Fastening nuts for top push bar
12. Cable clips
13. Grass box housing halves
14. Ejector flap
15. Level indicator
16. Wheels
17. Wheel caps
18. Wheel fastening screw
19. Washers for wheels
20. Spring washers for wheels
21. Locking rings for wheels

2.2 Items supplied

Please check that the article is complete as specified in the scope of delivery. If parts are missing, please contact our service center or the sales outlet where you made your purchase at the latest within 5 working days after purchasing the product and upon presentation of a valid bill of purchase. Also, refer to the warranty table in the service information at the end of the operating instructions.

- Open the packaging and take out the equipment with care.
- Remove the packaging material and any packaging and/or transportation braces (if available).
- Check to see if all items are supplied.
- Inspect the equipment and accessories for transport damage.
- If possible, please keep the packaging until the end of the guarantee period.

Danger!

The equipment and packaging material are not toys. Do not let children play with plastic bags, foils or small parts. There is a danger of swallowing or suffocating!

- Electric lawn mower
- Grass basket

- Original operating instructions
- Safety instructions

3. Proper use

The lawn mower is intended for private use, i.e. for use in home and gardening environments.

Private use of the lawn mower refers an annual operating time generally not exceeding that of 50 hours, during which time the equipment is primarily used to maintain small-scale, residential lawns and home/hobby gardens. Public facilities, sporting halls, and agricultural/forestry applications are excluded.

Important! Due to the high risk of bodily injury to the user, the lawn mower may not be used to trim bushes, hedges or shrubs, to cut scaling vegetation, planted roofs, or balcony-grown grass, to clean (suck up) dirt and debris off walkways, or to chop up tree or hedge clippings. Moreover, the lawn mower may not be used as a power cultivator to level out high areas such as molehills.

For safety reasons, the lawn mower may not be used as a drive unit for other work tools or toolkits of any kind, unless they have been expressly permitted by the manufacturer.

The equipment is to be used only for its prescribed purpose. Any other use is deemed to be a case of misuse. The user / operator and not the manufacturer will be liable for any damage or injuries of any kind caused as a result of this.

Please note that our equipment has not been designed for use in commercial, trade or industrial applications. Our warranty will be voided if the machine is used in commercial, trade or industrial businesses or for equivalent purposes.

4. Technical data

Mains voltage:220-240 V ~ 50Hz
 Power consumption: 1200 W
 Motor speed:3500 min⁻¹
 Cutting width:32 cm
 Cutting height adjustment:20-60 mm; 3 levels
 Grass basket capacity: 30 liters
 L_{pA} sound pressure level: 86 dB(A)
 K_{pA} uncertainty: 3 dB(A)
 L_{WA} sound power level measured: 93.2 dB(A)
 K_{WA} uncertainty: 2.18 dB(A)
 L_{WA} sound power level guaranteed: 96 dB(A)
 Vibration at the handlebars a_h:< 2.5 m/s²
 Protection class: II/□
 Weight:9.1 kg

Danger!

Sound and vibration

Sound and vibration values were measured in accordance with EN 62841.

Wear ear-muffs.

The impact of noise can cause damage to hearing.

Total vibration values (vector sum of three directions) determined in accordance with EN 62841.

The stated vibration emission levels and stated noise emission values were measured in accordance with a set of standardized criteria and can be used to compare one power tool with another.

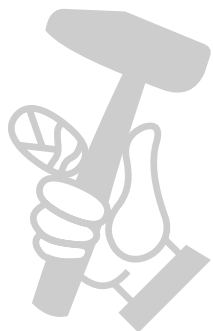
The stated vibration emission levels and stated noise emission values can also be used to make an initial assessment of exposure.

Warning:

The vibration and noise emission levels may vary from the level specified during actual use, depending on the way in which the power tool is used, especially the type of workpiece it is used for.

Limit the operating time!

All stages of the operating cycle must be considered (for example, times in which the electric tools are switched off and times in which the tool is switched on but operates without load).



Keep the noise emissions and vibrations to a minimum.

- Only use appliances which are in perfect working order.
- Service and clean the appliance regularly.
- Adapt your working style to suit the appliance.
- Do not overload the appliance.
- Have the appliance serviced whenever necessary.
- Switch the appliance off when it is not in use.
- Wear protective gloves.

Caution!

Residual risks

Even if you use this electric power tool in accordance with instructions, certain residual risks cannot be ruled out. The following hazards may arise in connection with the equipment's construction and layout:

1. Lung damage if no suitable protective dust mask is used.
2. Damage to hearing if no suitable ear protection is used.
3. Health damage caused by hand-arm vibrations if the equipment is used over a prolonged period or is not properly guided and maintained.

5. Before starting the equipment

Before you connect the equipment to the mains supply make sure that the data on the rating plate are identical to the mains data.

Warning!

Always pull the power plug before making adjustments to the equipment.

The lawn mower is delivered unassembled. The complete push bar, the wheels and the catch basket must be fitted before using the lawn mower. Follow the operating instructions step-by-step and use the pictures provided as a visual guide to easily assemble the equipment.

Fitting the push bar (Fig. 3a to 3d)

Fit a bottom push bar (Fig. 3a/Item 5) into the opening provided for it (Fig. 3a) and secure it with the fastening screw for the bottom push bar (fig. 3b/Item 9) as shown in Fig. 3b. Proceed in the same way on the other side.

When you fit the top push bar you can decide the height of the push bar by selecting the appropriate fastening hole (Fig. 3c). Fasten the top push

bar using either the holes L for a low position or H for a high position. To do so, fasten the top push bar to the bottom push bar with a fastening screw for the top push bar (Fig. 3d/Item 10).

Mounting the catch basket (Fig. 4a to 4d)

First, press the catch basket handle (Item 8) into the openings on the top half of the catch basket housing (Item 13). Then fit the two halves of the catch basket housing (Fig. 4b/Item 13) together. Ensure that all the plastic lugs engage correctly. Before you fit the catch basket you must ensure that the motor is switched off and the blade is not rotating any more. The catch basket must be attached to the two hooks on the mower (Fig. 4c/Item A). To do this, open the ejector flap with one hand (Fig. 4d/Item 14) and attach the catch basket with the other hand as shown in Figure 4d. The ejector flap is held against the grass box by a spring.

Filling level indicator of the grass collector

The grass collector is equipped with a filling level indicator (Fig. 2/Item 15) which is opened by the airflow that the lawn mower generates during operation. If the flap closes during mowing, the grass collecting device is full and must be emptied. To ensure the proper functioning of the filling level indicator, the holes under the flap must always be kept clean and passable.

Fitting the wheels (5a to 5d)

Insert the fastening screw in the wheels together with the wheel caps (Fig. 5a). Then fit the supplied washers, spring washers and locking rings to the screw (Fig. 5b). Make sure you do this in the correct sequence! Fit the four wheels by turning the wheel caps clockwise to tighten them (Fig. 5c). Fit all four wheels in the same position (Fig. 5d).

Adjusting the cutting height

Caution!

Adjust the cutting height only when the motor is switched off and the power cable has been disconnected.

Before you begin to mow, check to ensure that the blade is not blunt and that none of the fasteners are damaged. To prevent any imbalance, replace blunt and/or damaged blades. To carry out this check, first switch off the motor and pull out the power plug.

The cutting height is adjusted as follows. Turn the hub cap counter-clockwise to release the axle

(Fig. 5a) and remove the hub cap together with the screw and wheel. The wheel can now be fitted in position 1, 2 or 3 (Fig. 5d) to suit the required cutting height. Fit all four wheels at the same height so that the cutting blade runs parallel to the lawn.

Position Cutting height

1	60 mm
2	40 mm
3	20 mm

Power supply

The lawn mower can be connected to any light socket-outlet with a 220-240 Volt alternating current. However, the socket outlet must have an earthing contact protected by a 16 A circuit breaker. Additionally, a residual current device (RCD) circuit-breaker with max. 30 mA must be used!

Power cable for the device

Please only use power cables that are not damaged. The total length of the power cable should not exceed 50 meters; going beyond this distance will reduce the power output of the electric motor. The power cable must have a cross-section of 3 x 1,5 mm². The insulating sheath of lawn aerator power cables is frequently damaged.

Some of the causes for this are:

- Cuts caused by driving over the cable.
- Pinching when the power cable is dragged under doors and pulled through windows.
- Cracking due to old age of the insulation.
- Kinking by improperly fastening or guiding the power cable.

The power cables must, at the very minimum, be of type HO5RN-F and 3-stranded. The cable type must be printed somewhere on the power cable. Only purchase power cables that are marked! Plugs and socket couplers for the power cables must be made from rubber and splash-proof. There is a limit to how long power cables can be. Longer power cables require larger conductor cross-sections. Power cables and connecting lines must be regularly checked for damage. Ensure that the lines are switched off before checking them. Completely unwind the power cable. Also check power cable entry points, plugs and socket couplers for kinks.

6. Operation

Connect the plug (Fig. 1/Item 3) to an extension cable. It is imperative to secure the extension cable with the cable grip as shown in Fig. 6.

Caution!

To prevent the machine switching on accidentally, the lawn mower is equipped with a safety lock-off (Fig. 6/Item A) which must be pressed before the switching bar (Fig. 6/Item B) can be activated. The lawn mower switches itself off when the switching bar is released. Repeat this process several times so that you are sure that the machine functions properly. Before you perform any repair or maintenance work on the equipment, ensure that the blade is not rotating and that the power supply is disconnected.

Caution! Never open the chute flap when the grass bag has been detached (to be emptied) and the motor is still running. A rotating blade can cause serious injuries!

Always carefully fasten the chute flap and grass basket. Switch off the engine before emptying the grass basket.

Always ensure that a safe distance (provided by the length of the long handles) is maintained between the user and the mower housing. Be especially careful when mowing and changing direction on slopes and inclines. Maintain a solid footing and wear sturdy, non-slip footwear and long trousers.

Always mow along the incline (not up and down). For safety reasons, the lawn mower may not be used to mow inclines whose gradient exceeds 15 degrees.

Use special caution when backing up and pulling the lawn mower. Tripping hazard!

Tips for proper mowing

It is recommended that you overlap the mowing swaths.

Only use a sharp blade that is in good condition. This will prevent the grass blades from fraying and the lawn from turning yellow.

Try to mow in straight lines for a nice, clean look. The swaths should overlap each other by a few centimeters in order to avoid stripes.

How frequently you should mow your lawn is determined primarily by the speed at which the grass grows. In the main growing season (May - June) you will probably need to mow the lawn twice a week, otherwise just once a week. The cutting height should be between 4 - 6cm and the amount of growth before mowing again should be 4 - 5cm. If the grass is allowed to grow somewhat longer for whatever reason, do not make the mistake of cutting it back to the normal height in one go. This will harm the lawn. Never cut it back by more than half the height in one go. Keep the underside of the mower housing clean and remove grass build-up. Deposits not only make it more difficult to start the mower; they decrease the quality of the cut and make it harder for the equipment to bag the grass.

Always mow along inclines (not up and down). You can prevent the lawn mower from slipping down by holding a position at an angle upwards.

Select the cutting height according to the length of the grass. Make several passes so that no more than 4cm of grass are cut at one time.

Switch off the motor before doing any checks on the blade. Keep in mind that the blade continues to rotate for a few seconds after the motor has been switched off. Never attempt to manually stop the blade. Regularly check to see if the blade is securely attached, is in good condition and is sharp. If the contrary is the case, sharpen the blade or replace it. In the event that the blade strikes an object, immediately switch off the lawn mower and wait for the blade to come to a complete stop. Then inspect the condition of the blade and the blade mount. Replace any parts that are damaged.

Lay the power cable on the ground in loops in front of the power outlet. Mow away from the power outlet and cable, making sure that the power cable always trails in the mowed grass so that the lawn mower does not travel over the cable.

As soon as grass clippings start to trail the lawn mower, it is time to empty the grass basket. Important! Before taking off the grass basket, switch off the motor and wait until the blade has come to a stop.

To take off the grass basket, use one hand to lift up the chute flap and the other to grab onto the basket handle. Remove the basket. For safety reasons, the chute flap automatically falls down

after removing the grass basket and closes off the rear chute opening. If any grass remains in the opening, it will be easier to restart the engine if you pull the mower back approximately 1m.

Do not use your hands or feet to remove clippings in or on the mower housing, but instead use suitable tools such as a brush or a hand broom.

In order to ensure that the majority of grass clippings are picked up, the inside of both the catch basket and especially the grill must be cleaned after each use.

Reattach the grass basket only when the motor is switched off and the blade has stopped.

Lift up the chute flap with one hand and, holding the grass basket by its handle with the other hand, hang in the basket from the top.

7. Replacing the power cable

Danger!

If the power cable for this equipment is damaged, it must be replaced by the manufacturer or its after-sales service or similarly trained personnel to avoid danger.

8. Cleaning, maintenance and ordering of spare parts

Danger!

Always pull out the mains power plug before starting any cleaning work.

8.1 Cleaning

- Keep all safety devices, air vents and the motor housing free of dirt and dust as far as possible. Wipe the equipment with a clean cloth or blow it with compressed air at low pressure.
- We recommend that you clean the device immediately each time you have finished using it.
- Clean the equipment regularly with a moist cloth and some soft soap. Do not use cleaning agents or solvents; these could attack the plastic parts of the equipment. Ensure that no water can seep into the device. The ingress of water into an electric tool increases the risk of an electric shock.

8.2 Carbon brushes

In case of excessive sparking, have the carbon brushes checked only by a qualified electrician.

Danger! The carbon brushes should not be replaced by anyone but a qualified electrician.

8.3 Maintenance

- Worn out or damaged blades, blade mounts, and bolts should be replaced as a set by an authorized professional in order to keep the equipment in balance.
- Do not clean the lawn mower with running water, particularly with high-pressure water. Ensure that all mounting components (i.e. screws, bolts, nuts etc.) are always tightened so that the equipment can be safely operated at all times.
- Frequently check the grass catch assembly for signs of wear.
- Replace excessively worn or damaged parts immediately.
- Store your lawn mower in a dry room.
- In order to ensure that you enjoy the equipment for many years to come, all screwed parts, as well as the wheels and axles, should be cleaned and lubricated.
- Keeping your lawn mower in good condition not only ensures a long lifespan and high performance, but also enables the equipment to thoroughly cut your grass with minimal effort. For best results, clean the lawn mower with a brush or rag. Do not use any solvents or water to remove dirt.
- The blade is subjected to more wear and tear than any other component. Therefore, routinely check the condition of the blade and make sure that it is tightly fastened. If the blade is completely worn out, it must be immediately replaced or ground sharp again. An excessively vibrating mower means that the blade is not properly balanced or has become deformed from striking an object. In this case, the blade must be repaired or replaced.
- There are no parts inside the equipment which require additional maintenance.

8.4 Replacing the blade

For safety reasons, we recommend having the blade replaced by an authorized professional. Important! Wear work gloves! Only replace the blade with a genuine Einhell replacement blade, as this will ensure top performance and safety under all conditions.

Carry out the following steps to change the blade:

1. Undo the fastening screw (see Fig. 7).
2. Remove the blade and replace with a new one.
3. When fitting the blade, make sure it is installed in the right direction. The blade's air vanes must project into the motor compartment.
4. Then retighten the fastening screw with the universal wrench. The tightening torque should be approx. 25 Nm.

At the end of the season, perform a general inspection of the lawn mower and remove any grass and dirt which may have accumulated. At the start of each season, ensure that you check the condition of the blade. If repairs are necessary, please contact our customer service center. Use only genuine spare parts.

8.5 Ordering replacement parts:

Please quote the following data when ordering replacement parts:

- Type of machine
- Article number of the machine
- Identification number of the machine
- Replacement part number of the part required

For our latest prices and information please go to www.Einhell-Service.com

Spare blade art. no.: 34.054.10

9. Disposal and recycling

The equipment is supplied in packaging to prevent it from being damaged in transit. The raw materials in this packaging can be reused or recycled. The equipment and its accessories are made of various types of material, such as metal and plastic. Never place defective equipment in your household refuse. The equipment should be taken to a suitable collection center for proper disposal. If you do not know the whereabouts of such a collection point, you should ask in your local council offices.

10. Storage

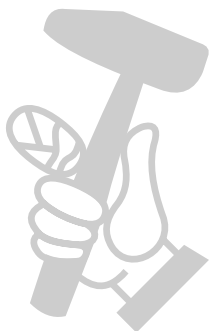
Store the equipment and accessories in a dark and dry place at above freezing temperature. The ideal storage temperature is between 5 and 30 °C. Store the electric tool in its original packaging.



11. Troubleshooting

Fault	Possible causes	Remedies
The motor fails to start	a) The capacitor is defective b) There is no electricity at the plug c) The cable is defective d) The combined switch/plug is defective e) The connectors have become separated from the motor or the capacitor f) The mower is standing in high grass g) The mower housing is clogged	a) The mower housing is clogged. Have repaired by the Customer Service Center b) Check the cable and the fuse c) Check the cable d) Have repaired by the Customer Service Center e) Have repaired by the Customer Service Center f) Start in low grass or on an area that has already been mowed; change the cutting height if necessary g) Clean the housing so that the blade moves freely
The motor performance drops	a) The grass is too high or too damp b) The mower housing is clogged c) The blade is severely worn	a) Correct the cutting height b) Clean the housing c) Replace the blade
Cutting is irregular	a) The blade is worn b) Wrong cutting height	a) Replace or sharpen the blade b) Correct the cutting height

Important! For protection, the motor is equipped with a thermal switch which cuts out when the motor is overloaded and switches on again automatically after a short cooling period.



Disposal

Power tools, rechargeable batteries, accessories and packaging should be sorted for environmental-friendly recycling.

Do not dispose of power tools and batteries/rechargeable batteries into household waste!

Only for EU countries:

According to the Directive 2012/19/EU on waste electrical and electronic equipment and its transposition into national law, power tools that are no longer usable, and, according to the Directive 2006/66/EC, defective or drained batteries must be collected separately and disposed of in an environmentally correct manner.

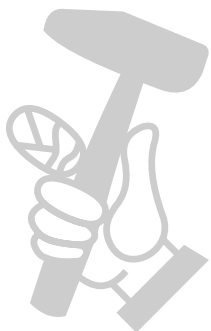
If disposed incorrectly, waste electrical and electronic equipment may have harmful effects on the environment and human health, due to the potential presence of hazardous substances.

Only for United Kingdom:

According to The Waste Electrical and Electronic Equipment Regulations 2013 (SI 2013/3113) (as amended) and the Waste Batteries and Accumulators Regulations 2009 (SI 2009/890) (as amended), products that are no longer usable must be collected separately and disposed of in an environmentally friendly manner.

The reprinting or reproduction by any other means, in whole or in part, of documentation and papers accompanying products is permitted only with the express consent of the Einhell Germany AG.

Subject to technical changes



Service information

We have competent service partners in all countries named on the guarantee certificate whose contact details can also be found on the guarantee certificate. These partners will help you with all service requests such as repairs, spare and wearing part orders or the purchase of consumables.

Please note that the following parts of this product are subject to normal or natural wear and that the following parts are therefore also required for use as consumables.

Category	Example
Wear parts*	V-belt, carbon brushes
Consumables*	Blade
Missing parts	

* Not necessarily included in the scope of delivery!

In the effect of defects or faults, please register the problem on the internet at www.Einhell-Service.com. Please ensure that you provide a precise description of the problem and answer the following questions in all cases:

- Did the equipment work at all or was it defective from the beginning?
- Did you notice anything (symptom or defect) prior to the failure?
- What malfunction does the equipment have in your opinion (main symptom)? Describe this malfunction.

