



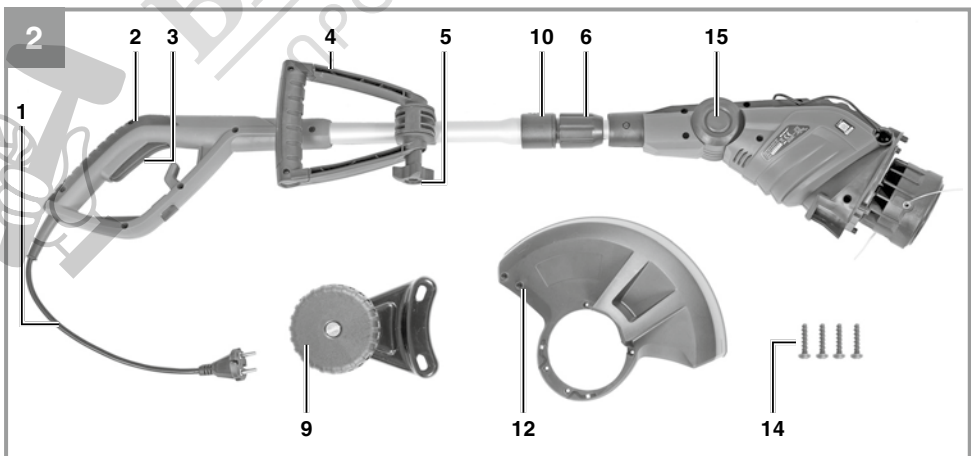
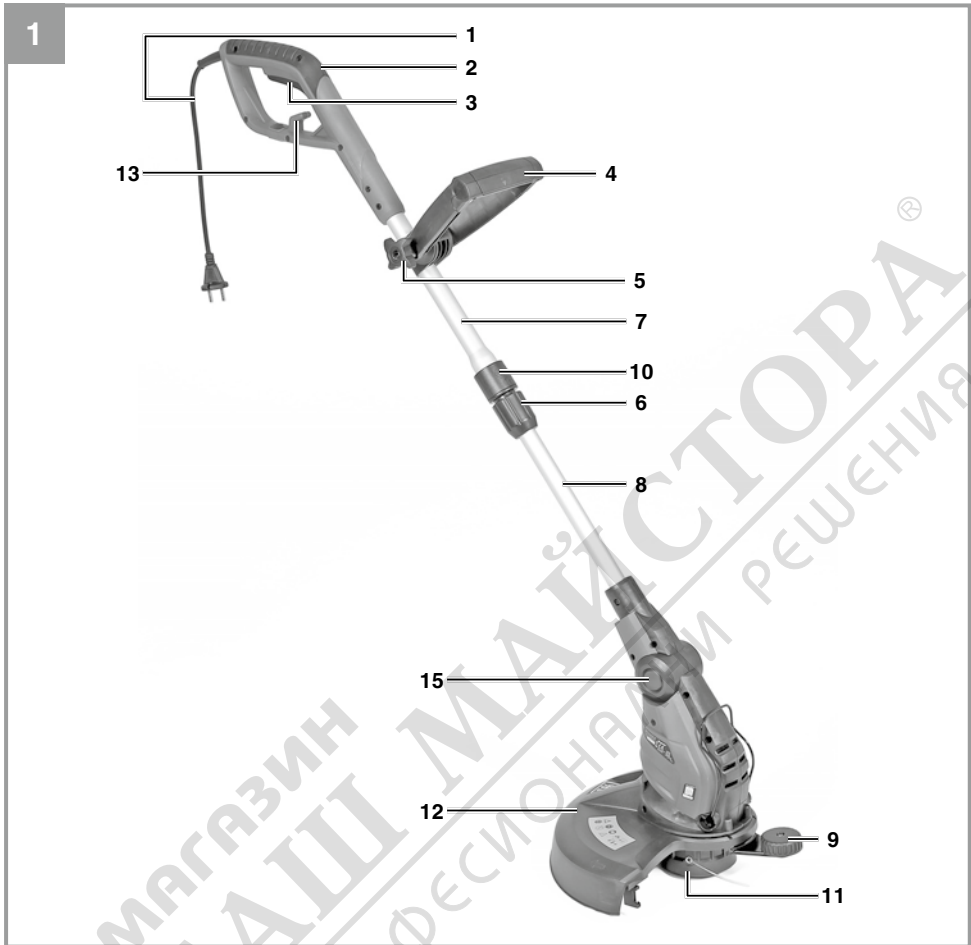
GC-ET 4530

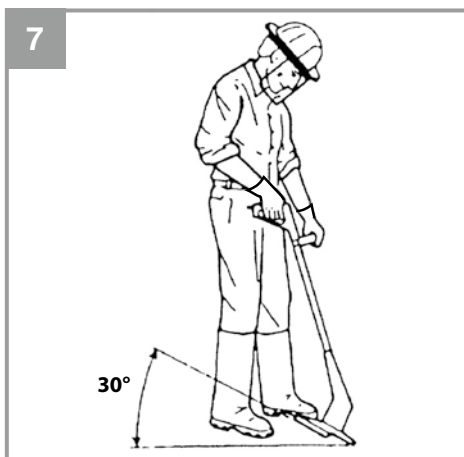
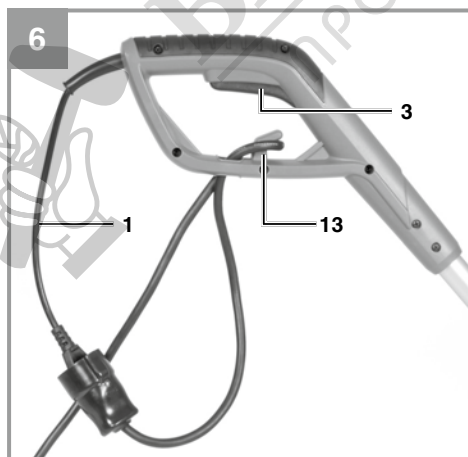
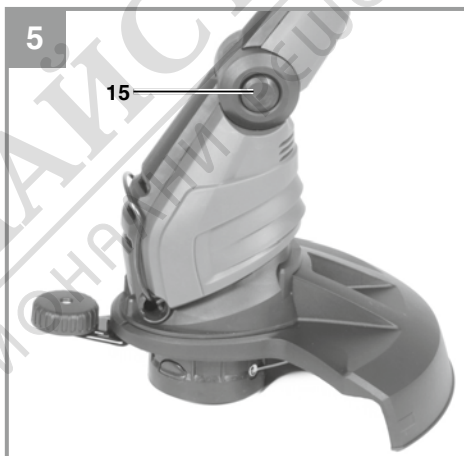
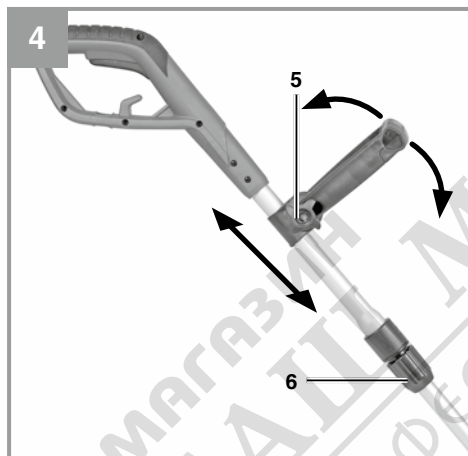
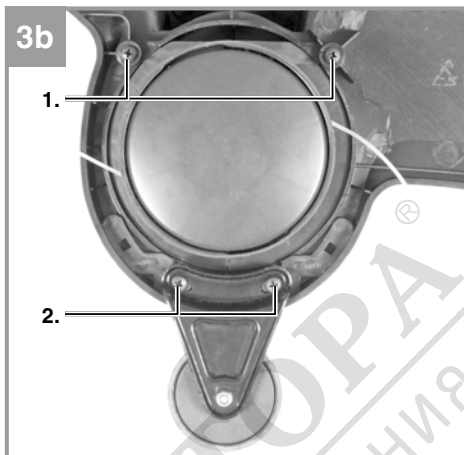
- D Originalbetriebsanleitung
Elektro-Rasentrimmer
- GB Original operating instructions
Electric grass trimmer
- F Instructions d'origine
Debroussaillage électrique
- I Istruzioni per l'uso originali
Tosaerba elettrico a filo
- DK/
N Original betjeningsvejledning
El-dreven græstrimmer
- S Original-bruksanvisning
Elektrisk grästrimmer
- NL Originele handleiding
Elektrische gazotrimmer
- E Manual de instrucciones original
Recortadora de césped eléctrica
- FIN Alkuperäiskäyttöohje
Sähkökäyttöinen ruohotrimmari
- SLO Originalna navodila za uporabo
Električna kosilnica

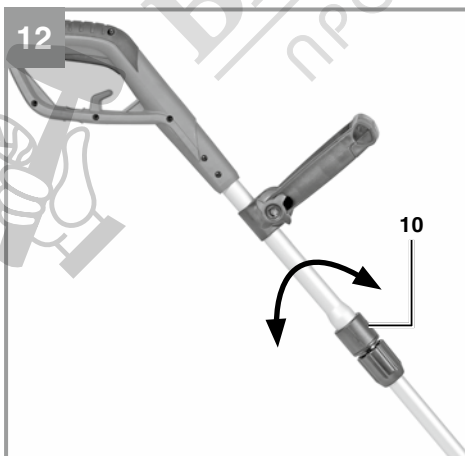
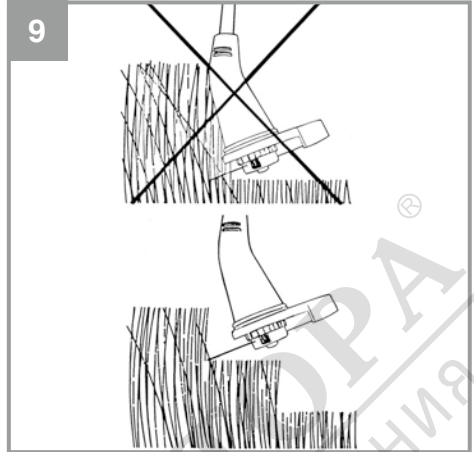


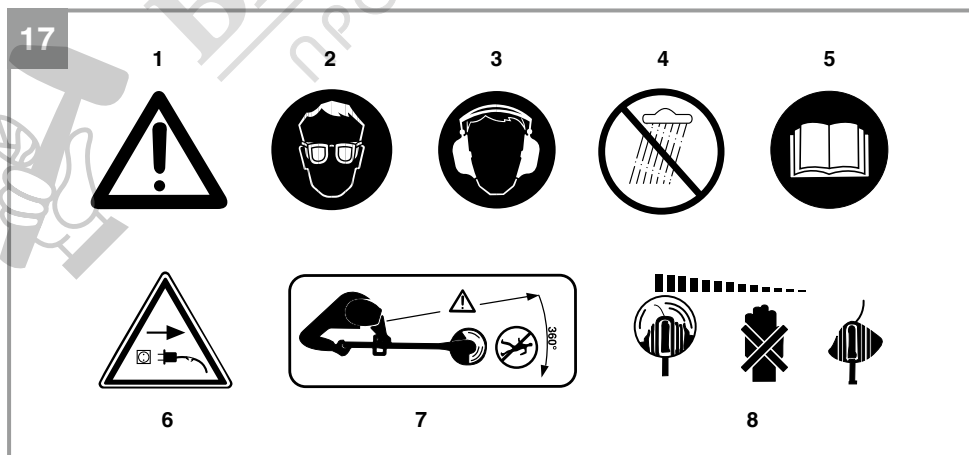
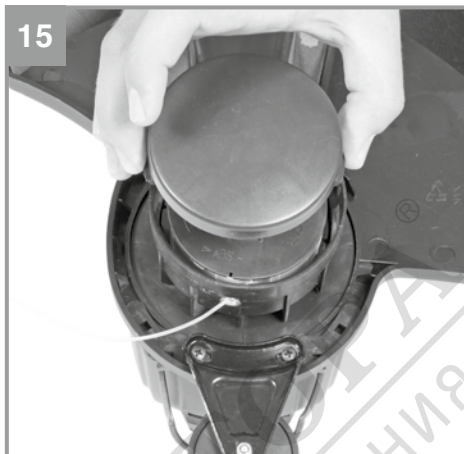
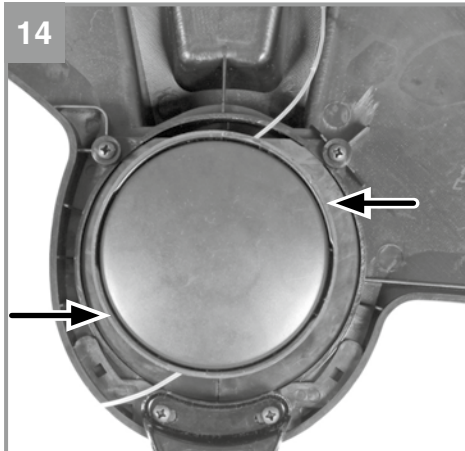
Art.-Nr.: 34.020.22

I.-Nr.: 21021









Danger!

When using the equipment, a few safety precautions must be observed to avoid injuries and damage. Please read the complete operating instructions and safety regulations with due care. Keep this manual in a safe place, so that the information is available at all times. If you give the equipment to any other person, hand over these operating instructions and safety regulations as well. We cannot accept any liability for damage or accidents which arise due to a failure to follow these instructions and the safety instructions.

Explanation of the warning sign (Fig. 17)

1. Warning!
2. Wear eye protection!
3. Wear ear defenders!
4. Protect from the damp!
5. Read the operating instructions!
6. Pull out the power plug!
7. Keep other persons away!
8. The equipment continues to rotate!

1. Safety regulations

The corresponding safety information can be found in the enclosed booklet.

Danger!**Read all safety regulations and instructions.**

Any errors made in following the safety regulations and instructions may result in an electric shock, fire and/or serious injury.

Keep all safety regulations and instructions in a safe place for future use.

2. Layout and items supplied**2.1 Layout (Fig. 1/2)**

1. Power cable
2. Upper handle
3. On/Off switch
4. Additional handle
5. Screw for additional handle
6. Lock for handlebar height adjustment
7. Top handlebar
8. Bottom handlebar
9. Edge guide
10. Lock for rotatable motor head
11. Line spool
12. Guard hood
13. Cable strain-relief clip
14. 4 screws

15. Lock for adjusting the angle of the handlebar

2.2 Items supplied

Please check that the article is complete as specified in the scope of delivery. If parts are missing, please contact our service center or the sales outlet where you made your purchase at the latest within 5 working days after purchasing the product and upon presentation of a valid bill of purchase. Also, refer to the warranty table in the service information at the end of the operating instructions.

- Open the packaging and take out the equipment with care.
- Remove the packaging material and any packaging and/or transportation braces (if available).
- Check to see if all items are supplied.
- Inspect the equipment and accessories for transport damage.
- If possible, please keep the packaging until the end of the guarantee period.

Danger!

The equipment and packaging material are not toys. Do not let children play with plastic bags, foils or small parts. There is a danger of swallowing or suffocating!

- 1x grass trimmer
- 1x guard hood
- 1x edge guide
- 4 screws
- Original operating instructions
- Safety instructions

3. Proper use

The equipment is designed for cutting lawns and small areas of grass in private and hobby gardens.

Equipment designed for use in private and hobby gardens is regarded as unsuitable for use in public facilities, parks and sports centers, along roadways, or in agriculture and forestry. The operating instructions as supplied by the manufacturer must be kept and referred to in order to ensure that the equipment is properly used and maintained.

Important. This equipment must not be used for composting purposes (shredding) as this could result in injury or damage to property.

The equipment is to be used only for its prescribed purpose. Any other use is deemed to be a case of misuse. The user / operator and not the manufacturer will be liable for any damage or injuries of any kind caused as a result of this.

Please note that our equipment has not been designed for use in commercial, trade or industrial applications. Our warranty will be voided if the machine is used in commercial, trade or industrial businesses or for equivalent purposes.

4. Technical data

Mains voltage	230 V ~ 50 Hz
Power	450 W
Cutting circle	Diameter 30 cm
Revolutions n_0	8800 rpm
Cutting line diameter	1.4 mm
Weight	2.6 kg

Danger!

Sound and vibration

L_{pA} sound pressure level	71.9 dB(A)
K_{pA} uncertainty	2.1 dB
L_{WA} sound power level	91.9 dB(A)
K_{WA} uncertainty	2.1 dB

Wear ear-muffs.

The impact of noise can cause damage to hearing.

Total vibration values (vector sum of three directions) determined in accordance with EN 60745.

Vibration emission value $a_n \leq 4.1 \text{ m/s}^2$

K uncertainty = 1.5 m/s^2

The specified vibration value was established in accordance with a standardized testing method. It may change according to how the electric equipment is used and may exceed the specified value in exceptional circumstances.

The specified vibration value can be used to compare the equipment with other electric power tools.

The specified vibration value can be used for initial assessment of a harmful effect.

Keep the noise emissions and vibrations to a minimum.

- Only use appliances which are in perfect working order.
- Service and clean the appliance regularly.
- Adapt your working style to suit the appliance.
- Do not overload the appliance.
- Have the appliance serviced whenever necessary.
- Switch the appliance off when it is not in use.
- Wear protective gloves.

Caution!

Residual risks

Even if you use this electric power tool in accordance with instructions, certain residual risks cannot be ruled out. The following hazards may arise in connection with the equipment's construction and layout:

1. Lung damage if no suitable protective dust mask is used.
2. Damage to hearing if no suitable ear protection is used.
3. Health damage caused by hand-arm vibrations if the equipment is used over a prolonged period or is not properly guided and maintained.

5. Before starting the equipment

Before you connect the equipment to the mains supply make sure that the data on the rating plate are identical to the mains data.

Warning!

Always pull the power plug before making adjustments to the equipment.

5.1 Assembling the grass trimmer (Fig. 3a and 3c)

- Mount the safety guard on the motor head (see Fig. 3a).
- Then fix the safety guard with 2 screws (1.).
- Finally, secure the edge guide with the last two screws (2.) (see Fig. 3b).

5.2 Adjusting the additional handle (Fig. 4)

Place the electric grass trimmer on a firm surface. Slacken the screw (Fig. 5/Item A) and move the additional handle to its optimal position. Lock the handle in place by tightening the screw.

5.3 Height adjustment (Fig. 4)

Place the electric grass trimmer on a firm surface. First loosen the height adjuster (Fig. 4/Item 6). Then set the required length and retighten the height adjuster.

5.4 Adjusting the angle of the handlebar (Figure 5)

When the lock is pressed (Fig. 5/Item 15) you can adjust the angle of the handlebar to 5 positions. Set the angle which is best suited for your work. Make sure that there is an audible click when the handlebar engages.

6. Operation

The electric grass trimmer is designed only to cut grass.

The electric grass trimmer has a fully automatic line extension system. If the line of the electric grass trimmer is reduced through operation, it is automatically extended to the maximum cutting width. This ensures that you can cut your lawn with the perfect cutting width at all times.

Caution! If the line is too long when you use the equipment for the first time, the surplus end of it will be cut by the blade on the guard hood.

Your grass trimmer will work at its best if you observe the following instructions:

- Never use the grass trimmer without its safety devices.
- Do not cut grass when it is wet. The best results are had on dry grass.
- Connect the power cable to the extension cable and fasten this to the strain-relief clamp (Figure 6/Item 13).
- To switch on your grass trimmer, press the ON/OFF switch (Fig. 6/Item 3).
- To deactivate the grass trimmer, let go of the On/Off switch (Figure 6 / Item 3). Do not move the grass trimmer against the grass until the switch is pressed, i.e. wait until the trimmer is running.
- For the correct cutting action, swing the grass trimmer to the side as you walk forward, holding it at an angle of approx. 30° as you do so (see Figure 7 and Figure 8).
- Make several passes to cut long grass shorter step by step from the top (see Figure 9).
- Use the edge guide and the guard hood to prevent unnecessary wear on the line.

- Keep the grass trimmer away from hard objects in order to avoid unnecessary line wear.

Using the grass trimmer as an edge trimmer (Fig. 12/13)

To cut the edges of lawns and flower beds, the grass trimmer can be converted as follows:

- Switch off the power supply of the electric grass trimmer.
- Pull the sleeve (Fig. 12/Item 10) to the rear.
- Hold the sleeve in the rear position and rotate the top handle through 180° (Fig. 12) until it latches in place.
- Now you have converted the electric grass trimmer to an edge trimmer for cutting the lawn vertically (Fig. 13).

7. Replacing the power cable

Danger!

If the power cable for this equipment is damaged, it must be replaced by the manufacturer or its after-sales service or similarly trained personnel to avoid danger.

8. Cleaning, maintenance and ordering of spare parts

Danger!

Always pull out the mains power plug before starting any cleaning work.

8.1 Cleaning

- Keep all safety devices, air vents and the motor housing free of dirt and dust as far as possible. Wipe the equipment with a clean cloth or blow it with compressed air at low pressure.
- We recommend that you clean the device immediately each time you have finished using it.
- Clean the equipment regularly with a moist cloth and some soft soap. Do not use cleaning agents or solvents; these could attack the plastic parts of the equipment. Ensure that no water can seep into the device. The ingress of water into an electric tool increases the risk of an electric shock.
- Use a brush to remove deposits from the safety guard.

8.2 Replacing the line spool (Fig. 14-16)

Important! Make sure that you pull out the power plug before replacing the line spool!

- Press the sides of the spool cover as shown and remove the cover (Figure 14-15).
- Remove the empty line spool.
- Thread the ends of the line on the new line spool through the eyelets in the spool receptacle (Fig. 16).
- Fit the spool cover back in the spool mount.
- When you start the equipment again the line will be cut to the perfect length automatically.

Caution! Bits of the nylon line could cause injury when flung out!

8.3 Maintenance

There are no parts inside the equipment which require additional maintenance.

8.4 Ordering replacement parts:

Please quote the following data when ordering replacement parts:

- Type of machine
- Article number of the machine
- Identification number of the machine
- Replacement part number of the part required

For our latest prices and information please go to www.Einhell-Service.com

Spare line spool Art. no.: 34.056.85

9. Disposal and recycling

The equipment is supplied in packaging to prevent it from being damaged in transit. The raw materials in this packaging can be reused or recycled. The equipment and its accessories are made of various types of material, such as metal and plastic. Never place defective equipment in your household refuse. The equipment should be taken to a suitable collection center for proper disposal. If you do not know the whereabouts of such a collection point, you should ask in your local council offices.

10. Storage

Store the equipment and accessories out of children's reach in a dark and dry place at above freezing temperature. The ideal storage temperature is between 5 and 30 °C. Store the electric tool in its original packaging.

11. Troubleshooting

The machine will not work:

Check that the power cable is connected properly and check the mains fuses.

If the machine will not work despite the voltage supply being OK, send it to the specified after-sales service address.



For EU countries only

Never place any electric power tools in your household refuse.

To comply with European Directive 2002/96/EC concerning old electric and electronic equipment and its implementation in national laws, old electric power tools have to be separated from other waste and disposed of in an environment-friendly fashion, e.g. by taking to a recycling depot.

Recycling alternative to the return request:

As an alternative to returning the equipment to the manufacturer, the owner of the electrical equipment must make sure that the equipment is properly disposed of if he no longer wants to keep the equipment. The old equipment can be returned to a suitable collection point that will dispose of the equipment in accordance with the national recycling and waste disposal regulations. This does not apply to any accessories or aids without electrical components supplied with the old equipment.

The reprinting or reproduction by any other means, in whole or in part, of documentation and papers accompanying products is permitted only with the express consent of the Einhell Germany AG.

Subject to technical changes



Service information

We have competent service partners in all countries named on the guarantee certificate whose contact details can also be found on the guarantee certificate. These partners will help you with all service requests such as repairs, spare and wearing part orders or the purchase of consumables.

Please note that the following parts of this product are subject to normal or natural wear and that the following parts are therefore also required for use as consumables.

Category	Example
Wear parts*	Line spool holder
Consumables*	Line spool
Missing parts	

* Not necessarily included in the scope of delivery!

In the effect of defects or faults, please register the problem on the internet at www.Einhell-Service.com. Please ensure that you provide a precise description of the problem and answer the following questions in all cases:

- Did the equipment work at all or was it defective from the beginning?
- Did you notice anything (symptom or defect) prior to the failure?
- What malfunction does the equipment have in your opinion (main symptom)? Describe this malfunction.



Warranty certificate

Dear Customer,

All of our products undergo strict quality checks to ensure that they reach you in perfect condition. In the unlikely event that your device develops a fault, please contact our service department at the address shown on this guarantee card. You can also contact us by telephone using the service number shown. Please note the following terms under which guarantee claims can be made:

1. These guarantee terms apply to consumers only, i.e. natural persons intending to use this product neither for their commercial activities nor for any other self-employed activities. These warranty terms regulate additional warranty services, which the manufacturer mentioned below promises to buyers of its new products in addition to their statutory rights of guarantee. Your statutory guarantee claims are not affected by this guarantee. Our guarantee is free of charge to you.
2. The warranty services cover only defects due to material or manufacturing faults on a product which you have bought from the manufacturer mentioned below and are limited to either the rectification of said defects on the product or the replacement of the product, whichever we prefer. Please note that our devices are not designed for use in commercial, trade or professional applications. A guarantee contract will not be created if the device has been used by commercial, trade or industrial business or has been exposed to similar stresses during the guarantee period.
3. The following are not covered by our guarantee:
 - Damage to the device caused by a failure to follow the assembly instructions or due to incorrect installation, a failure to follow the operating instructions (for example connecting it to an incorrect mains voltage or current type) or a failure to follow the maintenance and safety instructions or by exposing the device to abnormal environmental conditions or by lack of care and maintenance.
 - Damage to the device caused by abuse or incorrect use (for example overloading the device or the use of unapproved tools or accessories), ingress of foreign bodies into the device (such as sand, stones or dust, transport damage), the use of force or damage caused by external forces (for example by dropping it).
 - Damage to the device or parts of the device caused by normal or natural wear or tear or by normal use of the device.
4. The guarantee is valid for a period of 24 months starting from the purchase date of the device. Guarantee claims should be submitted before the end of the guarantee period within two weeks of the defect being noticed. No guarantee claims will be accepted after the end of the guarantee period. The original guarantee period remains applicable to the device even if repairs are carried out or parts are replaced. In such cases, the work performed or parts fitted will not result in an extension of the guarantee period, and no new guarantee will become active for the work performed or parts fitted. This also applies if an on-site service is used.
5. To make a claim under the guarantee, please register the defective device at: www.Einhell-Service.com. Please keep your bill of purchase or other proof of purchase for the new device. Devices that are returned without proof of purchase or without a rating plate shall not be covered by the guarantee, because appropriate identification will not be possible. If the defect is covered by our guarantee, then the item in question will either be repaired immediately and returned to you or we will send you a new replacement.

Of course, we are also happy offer a chargeable repair service for any defects which are not covered by the scope of this guarantee or for units which are no longer covered. To take advantage of this service, please send the device to our service address.

Also refer to the restrictions of this warranty concerning wear parts, consumables and missing parts as set out in the service information in these operating instructions.