

- Originalbetriebsanleitung
Rasentrimmer
- Original operating instructions
Grass Trimmer
- Mode d'emploi d'origine
Débroussailleuse
- Istruzioni per l'uso originali
Tagliaerba a filo
- Originalne upute za uporabu
Šišač trave
- Originalna uputstva za upotrebu
Trimer za rezanje trave
- Originele handleiding
Gazontrimmer
- Manual de instrucciones original
Recortadora de césped
- Instrucțiuni de utilizare originale
Trimmer pentru gazon
- Orijinal Kullanma Talimatı
Misinalı Çim Bıçme Makinesi
- Eredeti használati utasítás
Pázsít trimmer
- Πρωτότυπες Οδηγίες χρήσης
Μηχανή μπορντούρας χόρτου

7

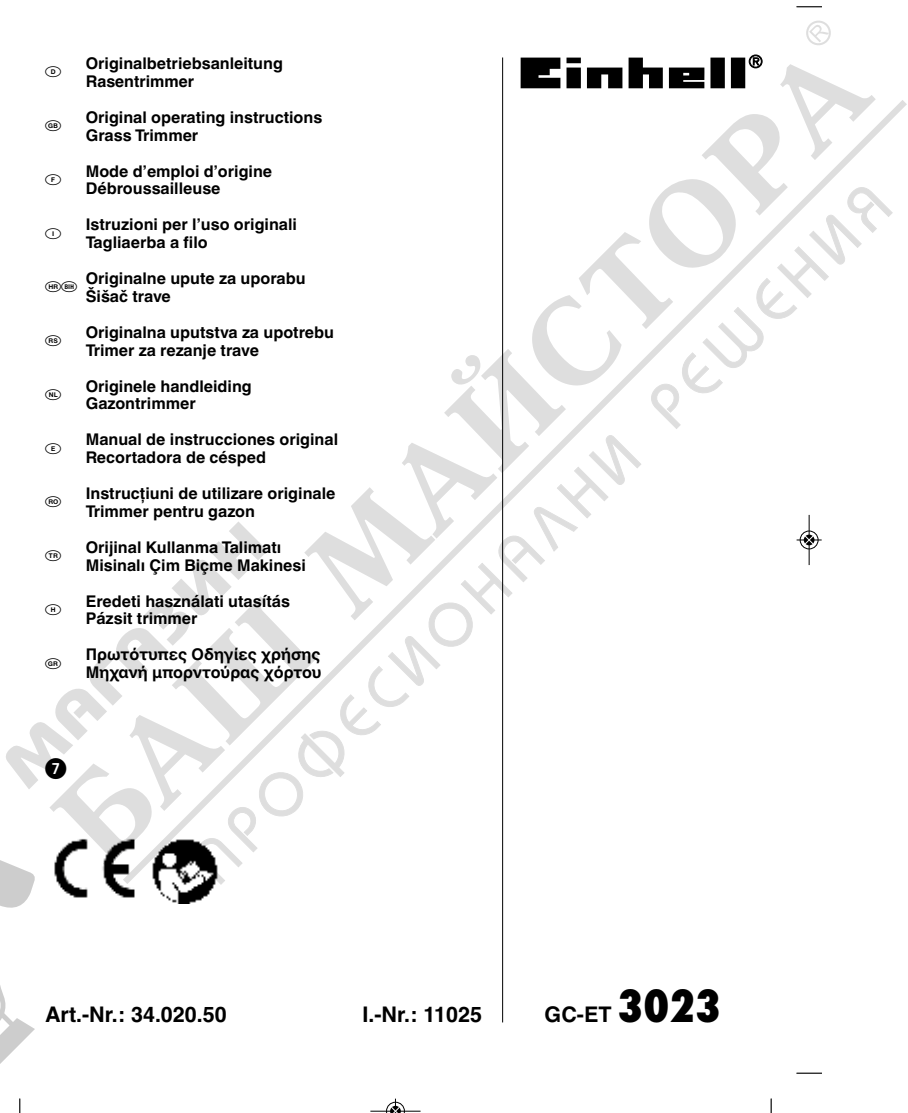


Art.-Nr.: 34.020.50

I.-Nr.: 11025

GC-ET **3023**

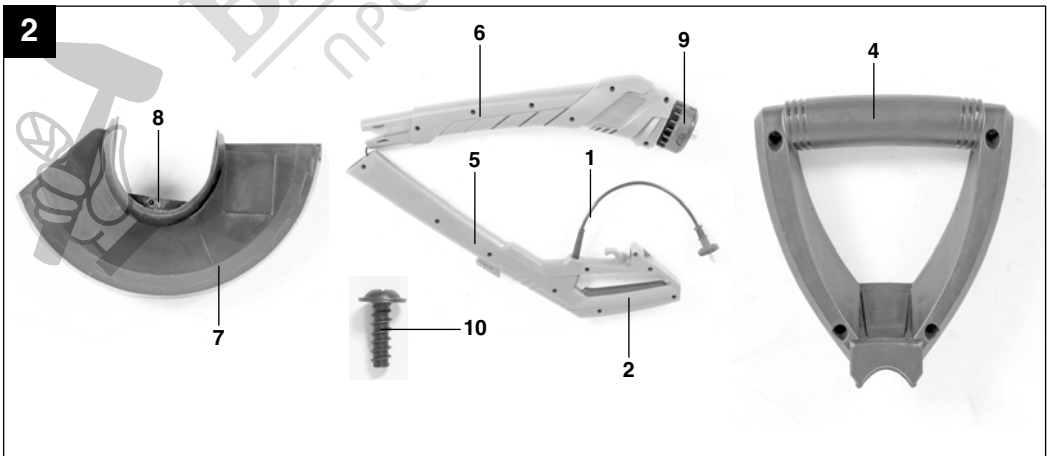
Einhell[®]

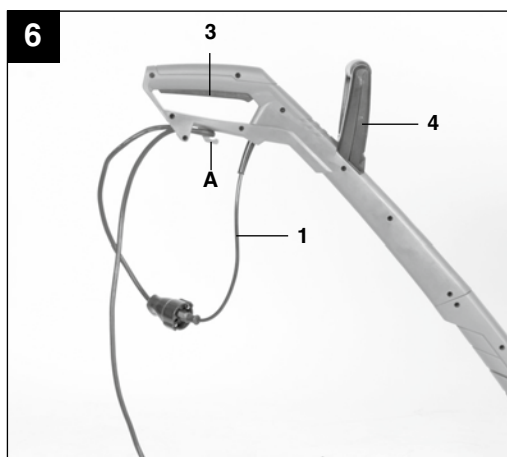
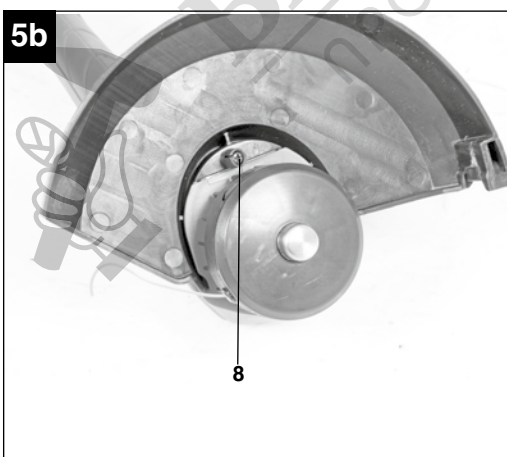
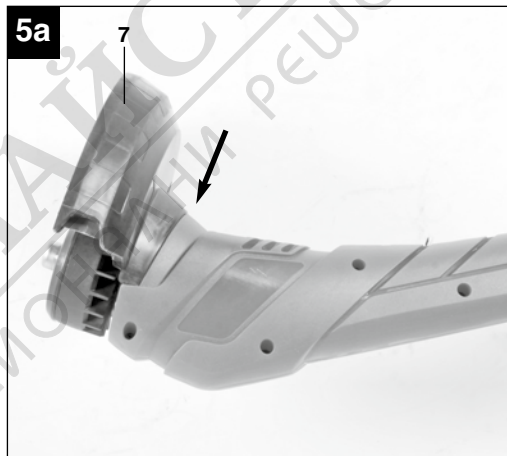
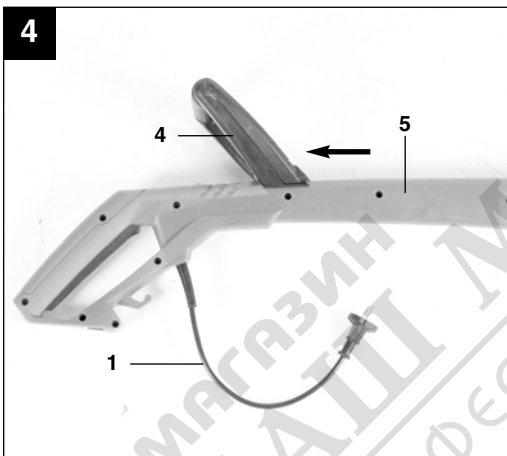
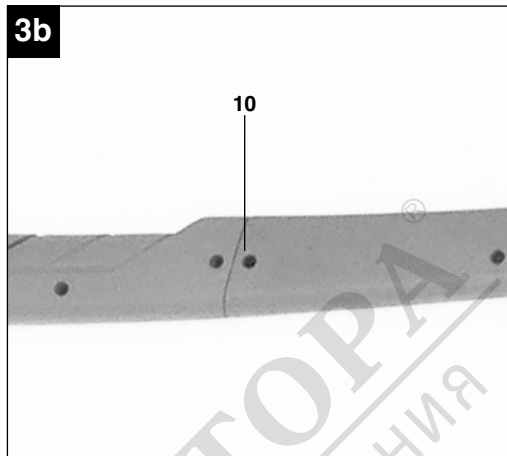
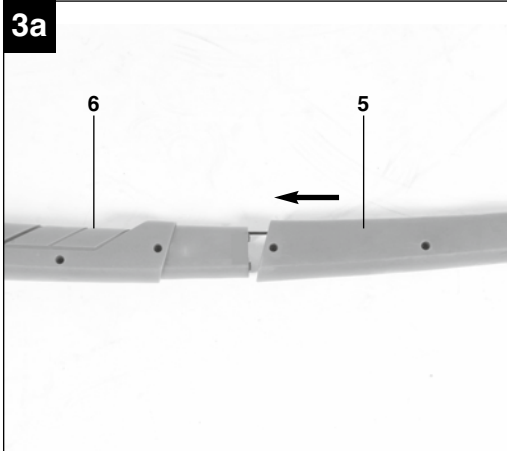


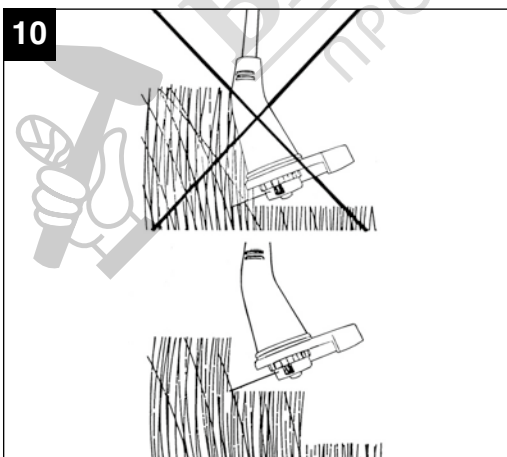
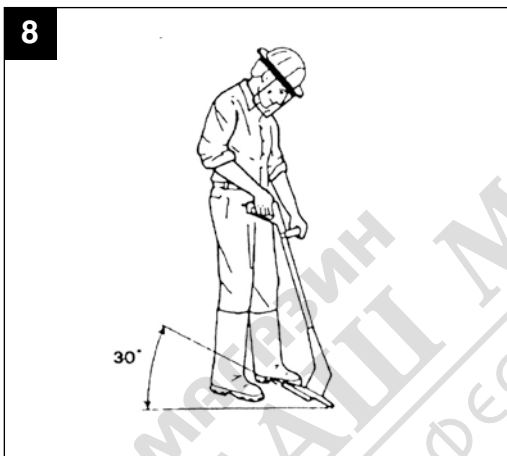
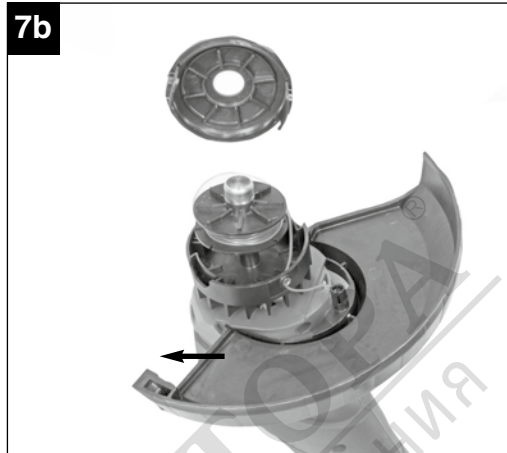


- Ⓓ Vor Inbetriebnahme Bedienungsanleitung und Sicherheitshinweise lesen und beachten
- Ⓔ Read and follow the operating instructions and safety information before using for the first time.
- Ⓕ Avant la mise en service, lisez le mode d'emploi et les consignes de sécurité et respectez-les.
- Ⓖ Prima della messa in esercizio leggete e osservate le istruzioni per l'uso e le avvertenze di sicurezza.
- ⓂⓂ Prije puštanja u rad pročitajte i pridržavajte se ovih uputa za uporabu i sigurnosnih napomena.
- ⓇⓈ Prije puštanja u pogon pročitajte i uvažite uputstva za upotrebu i napomene bezbednosti.
- ⓃⓁ Vóór ingebruikneming de handleiding en de veiligheidsvoorschriften lezen en in acht nemen!
- Ⓔ Leer detenidamente las instrucciones de uso y las advertencias de seguridad antes de poner en marcha el aparato.
- Ⓡⓓ Înainte de punerea în funcțiune se vor citi și respecta instrucțiunile de folosire și indicațiile de siguranță.
- ⓉⓇ Aleti çalıştırmadan önce Kullanma Talimatını ve Güvenlik Uyarılarını okuyun ve riayet edin.
- Ⓜ Üzembe vétel előtt elolvasni és figyelembe venni a használati utasítást és a biztonsági utalásokat.
- ⓂⓇ Πριν τη θέση σε λειτουργία διαβάστε τις Οδηγίες χρήσης και ακολουθήστε τις Υποδείξεις ασφαλείας











A



B



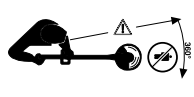
C



D



E



F



G

МАГАЗИН
БАШ МАЙСТОРА
ПРОФЕСИОНАЛНИ РЕШЕНИЯ



Table of contents:

1. Safety information
2. Layout
3. Items supplied
4. Intended use
5. Technical data
6. Before starting the equipment
7. Using the petrol lawn mower
8. Replacing the power cable
9. Cleaning, maintenance and ordering of spare parts
10. Storage
11. Disposal and recycling
12. Faults



МАГАЗИН
БАШ МАЙСТОРА®
ПРОФЕСИОНАЛНИ РЕШЕНИЯ

⚠ Important!

When using equipment, a few safety precautions must be observed to avoid injuries and damage. Please read the complete operating manual with due care. Keep this manual in a safe place, so that the information is available at all times. If you give the equipment to any other person, give them these operating instructions as well. We accept no liability for damage or accidents which arise due to non-observance of these instructions and the safety information.

1. Safety information

Please refer to the booklet included in delivery for the safety instructions.

⚠ CAUTION!

Read all safety regulations and instructions.

Any errors made in following the safety regulations and instructions may result in an electric shock, fire and/or serious injury.

Keep all safety regulations and instructions in a safe place for future use.

Explanation of the warning signs on the machine (see Fig. 11)

- A** Warning!
- B** Read the instruction manual before starting!
- C** Wear eye protection and ear plugs!
- D** Protect from moisture!
- E** Pull out the mains plug before checking a damaged power cable!
- F** Keep other people out of the danger area!
- G** The equipment continues to rotate!

2. Layout (Fig. 1/2)

1. Power cable
2. Upper handle
3. On/Off switch
4. Additional handle
5. Top handlebar
6. Bottom handlebar
7. Guard hood
8. Screw for mounting the guard hood
9. Line spool
10. Screw for assembling the handlebar

3. Items supplied

- Open the packaging and take out the equipment with care.
- Remove the packaging material and any packaging and/or transportation braces (if available).
- Check to see if all items are supplied.
- Inspect the equipment and accessories for transport damage.
- If possible, please keep the packaging until the end of the guarantee period.

IMPORTANT

The equipment and packaging material are not toys. Do not let children play with plastic bags, foils or small parts. There is a danger of swallowing or suffocating!

- Original operating instructions
- Safety instructions

4. Proper use

The equipment is designed for cutting lawns and small areas of grass in private and hobby gardens. Equipment designed for use in private and hobby gardens is regarded as unsuitable for use in public facilities, parks and sports centers, along roadways, or in agriculture and forestry. The operating instructions as supplied by the manufacturer must be kept and referred to in order to ensure that the equipment is properly used and maintained.

Important. This equipment must not be used for composting purposes (shredding) as this could result in injury or damage to property.

The machine is to be used only for its prescribed purpose. Any other use is deemed to be a case of misuse. The user / operator and not the manufacturer will be liable for any damage or injuries of any kind caused as a result of this.

Please note that our equipment has not been designed for use in commercial, trade or industrial applications. Our warranty will be voided if the machine is used in commercial, trade or industrial businesses or for equivalent purposes.

5. Technical data

Mains voltage	230 V ~ 50 Hz
Power	300 W
Cutting circle	Diameter 23 cm
Revolutions n_0	11000 rpm
Cutting line diameter	1.5 mm
Weight	1.5 kg

Sound and vibration

L_{pA} sound pressure level	76 dB(A)
K_{pA} uncertainty	0.93 dB
L_{WA} sound power level	94,63 dB(A)
K_{WA} uncertainty	0.93 dB

Wear ear-muffs.

The impact of noise can cause damage to hearing.

Vibration emission value $a_h = 2.511 \text{ m/s}^2$

K uncertainty = 1.5 m/s^2

Warning!

The specified vibration value was established in accordance with a standardized testing method. It may change according to how the electric equipment is used and may exceed the specified value in exceptional circumstances.

The specified vibration value can be used to compare the equipment with other electric power tools.

The specified vibration value can be used for initial assessment of a harmful effect.

Keep the noise emissions and vibrations to a minimum.

- Only use appliances which are in perfect working order.
- Service and clean the appliance regularly.
- Adapt your working style to suit the appliance.
- Do not overload the appliance.
- Have the appliance serviced whenever necessary.
- Switch the appliance off when it is not in use.
- Wear protective gloves.

Residual risks

Even if you use this electric power tool in accordance with instructions, certain residual risks cannot be ruled out. The following hazards may arise in connection with the equipment's construction and layout:

1. Lung damage if no suitable protective dust mask is used.
2. Damage to hearing if no suitable ear protection is used.
3. Health damage caused by hand-arm vibrations if the equipment is used over a prolonged period or is not properly guided and maintained.

6. Before starting the equipment

6.1 Assembling the grass trimmer (Fig. 3a-5b)

- Plug together the top handlebar (Fig. 3a/Item 5) and the bottom handlebar (Fig. 3a/Item 6) in the direction of the arrow. Secure the handlebar parts with the screw (Fig. 3b/Item 10).
- Push the additional handle (Fig. 4/Item 4) onto the top handlebar (Fig. 4 / Item 5).
- Plug the guard hood with screw (Fig. 5a/Item 7) onto the motor head as far as the stop.
- Secure the guard hood with the screw (Fig. 5b/Item 8).

7. Operation

The grass trimmer has a semi-automatic line extension system. Each time you activate the semi-automatic line extension system, the line is automatically extended to ensure that you can cut your lawn with the perfect cutting width at all times. Please note that the more often you activate the semi-automatic line extension system, the more the line will wear.

Note: If the line is too long when you use the equipment for the first time, the surplus end of it will be cut by the blade on the guard hood.

If the line is too short when you start the machine for the first time, press the knob on the line spool and pull the line hard. When you start the equipment again the line will be cut to the perfect length automatically.

Your grass trimmer will work at its best if you observe the following instructions:

- Never use the grass trimmer without its safety devices.
- Do not cut grass when it is wet. The best results

are had on dry grass.

- Connect the power cable to the extension cable and fasten this to the strain-relief clamp (Figure 6/Item A).
- To switch on your grass trimmer, press the ON/OFF switch (Fig. 6/Item 3).
- To deactivate the grass trimmer, let go of the On/Off switch (Figure 6 / Item 3).
- Do not move the grass trimmer against the grass until the switch is pressed, i.e. wait until the trimmer is running.
- For the correct cutting action, swing the grass trimmer to the side as you walk forward, holding it at an angle of approx. 30° as you do so (see Figure 8 and Figure 9).
- Make several passes to cut long grass shorter step by step from the top (see Figure 10).
- Use the guard hood to prevent unnecessary wear on the line.
- Keep the grass trimmer away from hard objects in order to avoid unnecessary line wear.

8. Replacing the power cable

If the power cable for this equipment is damaged, it must be replaced by the manufacturer or its after-sales service or similarly trained personnel to avoid danger.

9. Cleaning, maintenance and ordering of spare parts

Always pull out the mains power plug before starting any cleaning work.

9.1 Cleaning

- Keep all safety devices, air vents and the motor housing free of dirt and dust as far as possible. Wipe the equipment with a clean cloth or blow it with compressed air at low pressure.
- We recommend that you clean the device immediately each time you have finished using it.
- Clean the equipment regularly with a moist cloth and some soft soap. Do not use cleaning agents or solvents; these could attack the plastic parts of the equipment. Ensure that no water can seep into the device.
- Use a brush to remove deposits from the safety guard.

9.2 Replacing the line spool

Important! Make sure that you pull out the power plug before replacing the line spool!

- Press the sides of the spool cover as shown and remove the cover (Figure 7a).
- Remove the empty line spool.
- Thread the end of the line from the new line spool through the eyelet in the spool mount (Fig. 7b) and allow approx. 10 cm of line to project.
- Fit the spool cover back in the spool mount.
- When you start the equipment again the line will be cut to the perfect length automatically.

Important! Bits of the nylon line could cause injury when flung out!

9.3 Maintenance

There are no parts inside the equipment which require additional maintenance.

9.4 Ordering replacement parts

Please quote the following data when ordering replacement parts:

- Type of machine
- Article number of the machine
- Identification number of the machine
- Replacement part number of the part required

For our latest prices and information please go to www.isc-gmbh.info

Spare line spool Art. no.: 34.056.95

10. Storage

Store the equipment and accessories out of children's reach in a dark and dry place at above freezing temperature. The ideal storage temperature is between 5 and 30 °C. Store the electric tool in its original packaging.

11. Disposal and recycling

The unit is supplied in packaging to prevent its being damaged in transit. This packaging is raw material and can therefore be reused or can be returned to the raw material system.

The unit and its accessories are made of various types of material, such as metal and plastic. Defective components must be disposed of as special waste. Ask your dealer or your local council.

12. Troubleshooting

The machine will not work:

Check that the power cable is connected properly and check the mains fuses.

If the machine will not work despite the voltage supply being OK, send it to the specified after-sales service address.



МАГАЗИН
БАШ МАЙСТОРА®
ПРОФЕСИОНАЛНИ РЕШЕНИЯ

GB**Service information**

We have competent service partners in all countries named on the guarantee certificate whose contact details can also be found on the guarantee certificate. These partners will help you with all service requests such as repairs, spare and wearing part orders or the purchase of consumables.

Please note that the following parts of this product are subject to normal or natural wear and that the following parts are therefore also required for use as consumables.

Category	Example
Wear parts*	Line spool holder
Consumables*	Line spool
Missing parts	

* nicht zwingend im Lieferumfang enthalten!

In the effect of defects or faults, please register the problem on the internet at www.isc-gmbh.info. Please ensure that you provide a precise description of the problem and answer the following questions in all cases:

- Did the equipment work at all or was it defective from the beginning?
- Did you notice anything (symptom or defect) prior to the failure?
- What malfunction does the equipment have in your opinion (main symptom)? Describe this malfunction.

